



US00D971760S

(12) **United States Design Patent**  
**Wang**

(10) **Patent No.:** **US D971,760 S**  
(45) **Date of Patent:** **\*\* Dec. 6, 2022**

- (54) **VEHICLE DIAGNOSTIC DEVICE**
- (71) Applicant: **AUTEL INTELLIGENT TECHNOLOGY CORP., LTD.,**  
Guangdong (CN)
- (72) Inventor: **Yongshuai Wang,** Guangdong (CN)
- (73) Assignee: **AUTEL INTELLIGENT TECHNOLOGY CORP., LTD.,**  
Guangdong (CN)
- (\*\*) Term: **15 Years**
- (21) Appl. No.: **29/774,672**
- (22) Filed: **Mar. 18, 2021**
- (30) **Foreign Application Priority Data**

Sep. 28, 2020 (CN) ..... 202030584823.X

- (51) **LOC (13) Cl.** ..... **10-04**
- (52) **U.S. Cl.**  
USPC ..... **D10/78**

- (58) **Field of Classification Search**  
USPC ..... D10/78; D14/336, 342; D16/130  
CPC ..... G06F 15/32; G06F 15/321; G06F 15/324;  
G06F 15/328; G06F 15/0216; G06F  
2212/171; G01M 17/00; G01M 99/00;  
G01M 17/007; G01M 15/05; G01R  
31/007; G01R 31/08; G01R 31/16; G01R  
31/31914; G01R 31/31915; G01R  
31/31907; G01R 31/319; G01R 31/28;  
F02P 17/08; G07C 2205/02; G07C  
5/0808; G07C 5/0816; G07C 3/00; G07C  
5/00; G07C 5/002; G07C 5/004; G07C  
5/006; G07C 5/008; G07C 5/02; G07C  
5/04; G07C 5/06; G07C 5/08; G07C  
5/0825; G07C 5/0833; G07C 5/0841;  
G07C 5/085; G07C 5/0858; G07C  
5/0866; G07C 5/0875; G07C 5/0883;  
G07C 5/0891; G07C 5/10; G05B 15/02;  
G01L 19/08; G01L 19/083; G01L 19/086;

G01L 19/10; G01L 19/12; G01L 19/14;  
G01L 19/141; G01L 19/142; G01L  
19/143; G01L 19/144; G01L 19/45; G01L  
19/146; G01L 19/147; G01L 19/148;  
G01L 19/149; G01L 19/16

See application file for complete search history.

(56) **References Cited**

**U.S. PATENT DOCUMENTS**

D403,974 S *	1/1999	Hsu .....	D10/78
6,693,367 B1 *	2/2004	Schmeisser .....	G06F 1/1637 361/679.19
D579,361 S *	10/2008	Wen .....	G06F 1/1656 D10/78
7,859,853 B2 *	12/2010	Schmeisser .....	G06F 1/1626 361/752
7,920,837 B2 *	4/2011	Rofougaran .....	H04B 1/28 455/147
8,339,254 B2 *	12/2012	Drew .....	B60K 37/06 340/438
D742,258 S *	11/2015	Stevens .....	H02J 50/80 D10/70

(Continued)

*Primary Examiner* — Antoine Duval Davis

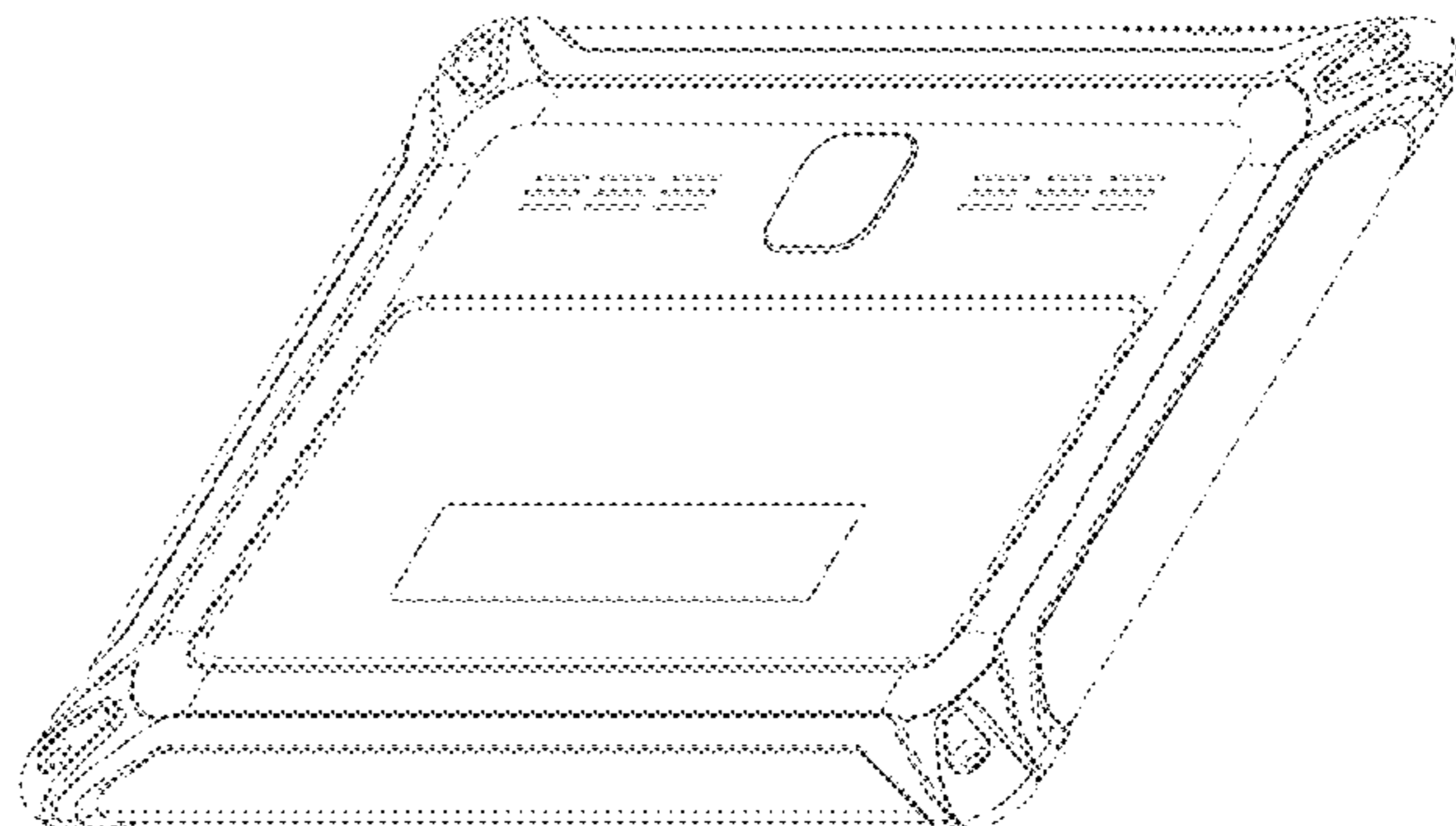
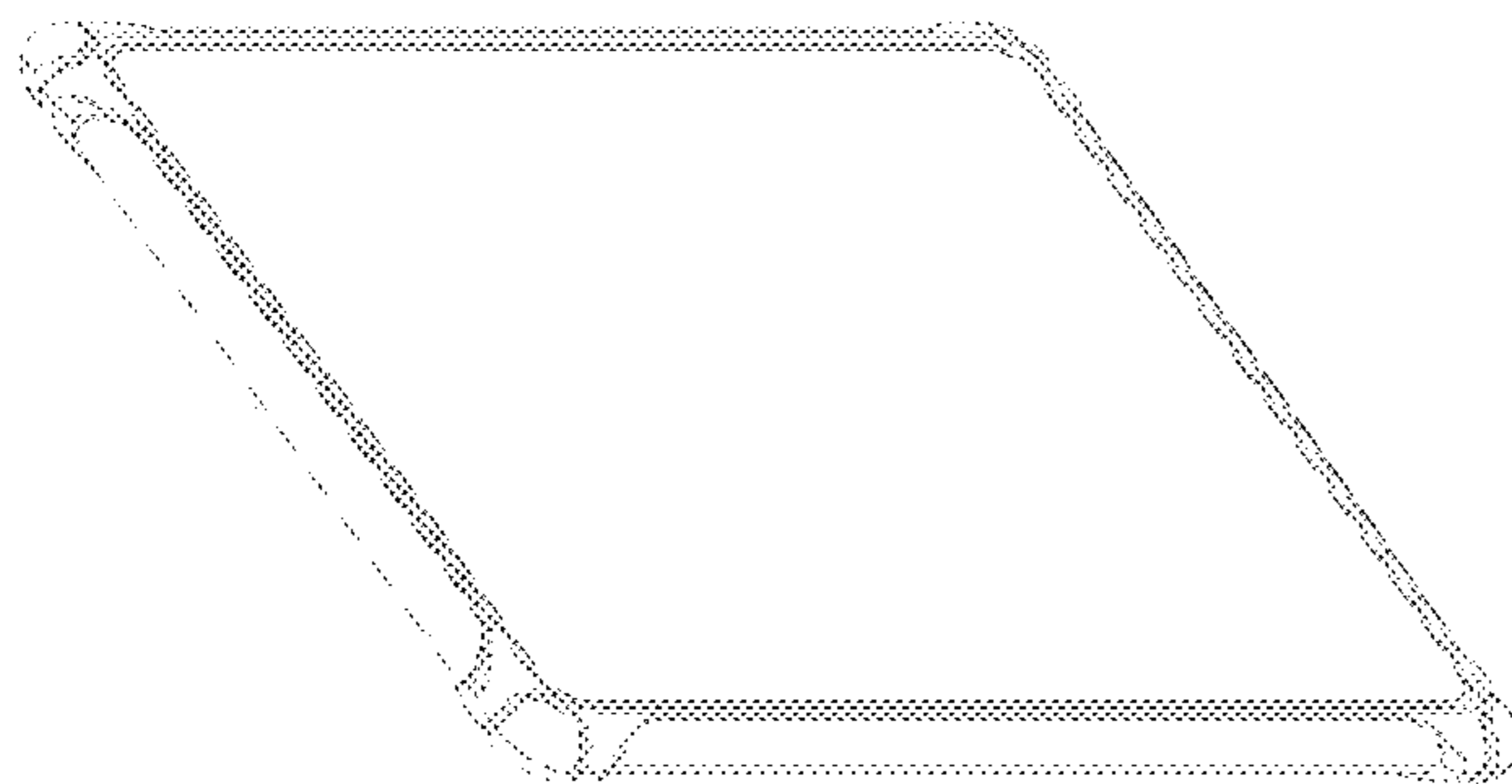
(57) **CLAIM**

I claim the ornamental design for a vehicle diagnostic device, as shown and described.

**DESCRIPTION**

FIG. 1 is a front elevational view of a vehicle diagnostic device showing my new design;  
FIG. 2 is a back elevational view thereof;  
FIG. 3 is a left side elevational view thereof;  
FIG. 4 is a right side elevational view thereof;  
FIG. 5 is a top plan view thereof;  
FIG. 6 is a bottom plan view thereof;  
FIG. 7 is a first perspective view thereof; and,  
FIG. 8 is a second perspective view thereof.

**1 Claim, 5 Drawing Sheets**



(56)

**References Cited**

U.S. PATENT DOCUMENTS

9,553,471 B2 \* 1/2017 Chinnadurai ..... H02J 50/40  
D830,209 S \* 10/2018 Wang ..... D10/78  
D837,074 S \* 1/2019 Lu ..... D10/78  
D840,849 S \* 2/2019 Wang ..... G07C 5/0825  
D10/78  
10,242,511 B2 \* 3/2019 Hanson ..... G07C 5/0825  
D938,841 S \* 12/2021 Lu ..... D10/78  
D939,368 S \* 12/2021 Lu ..... G07C 5/0825  
D10/78  
D942,288 S \* 2/2022 Wang ..... D10/78  
D955,238 S \* 6/2022 Lenz ..... D10/65  
D956,590 S \* 7/2022 Lin ..... D10/86  
D956,591 S \* 7/2022 Yao ..... D10/86

\* cited by examiner

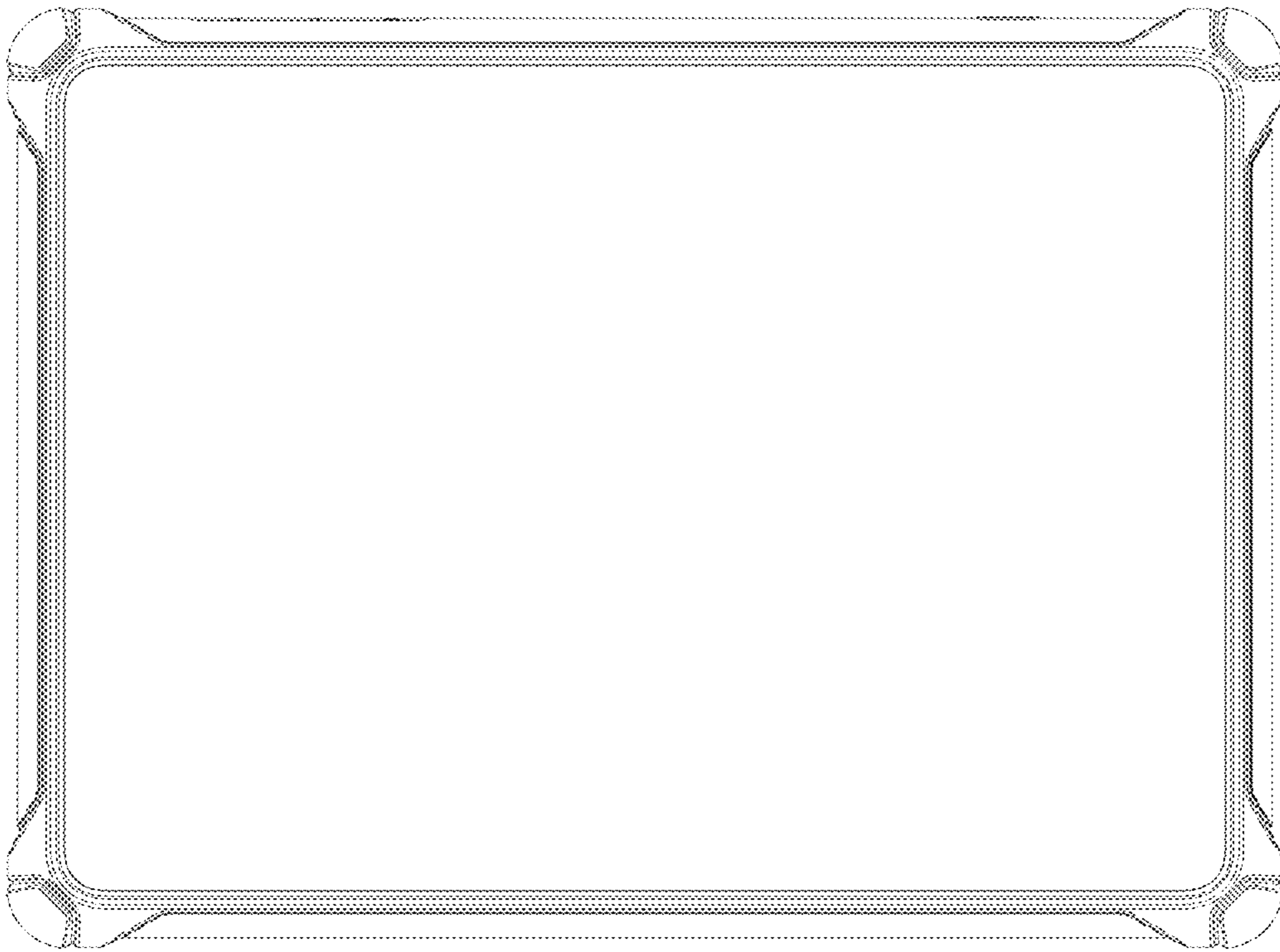


FIG. 1

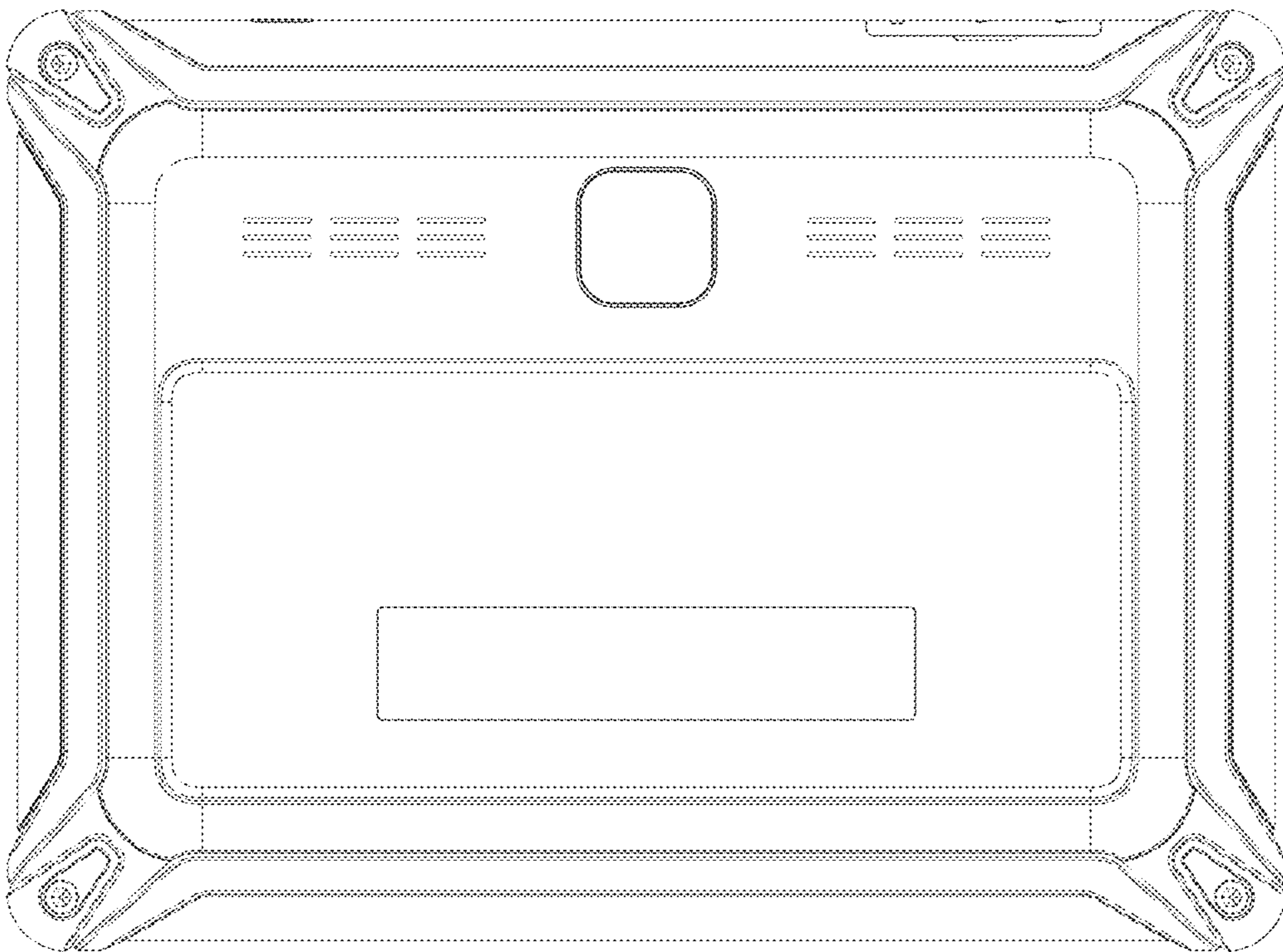


FIG. 2

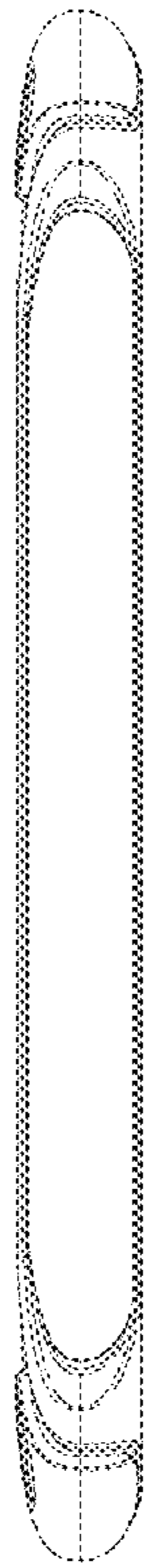


FIG.3

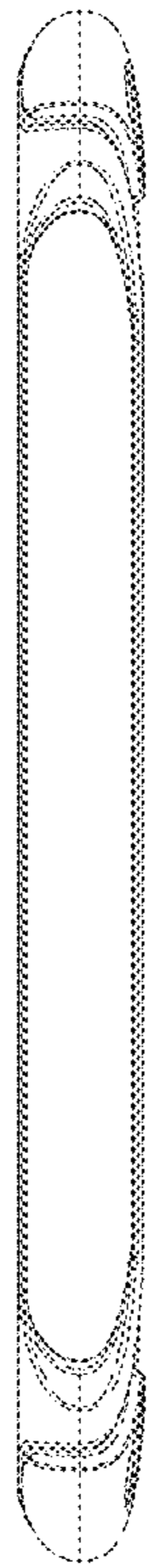


FIG. 4

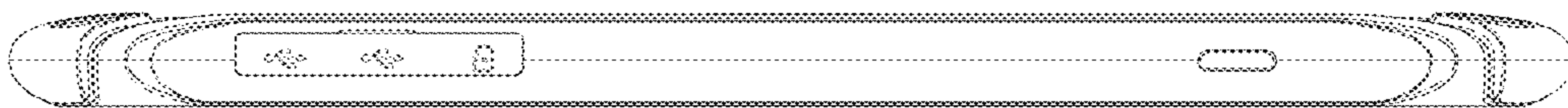


FIG. 5

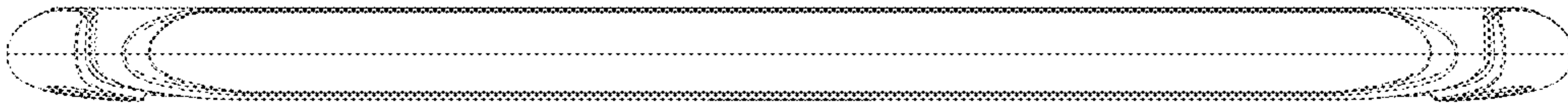


FIG. 6

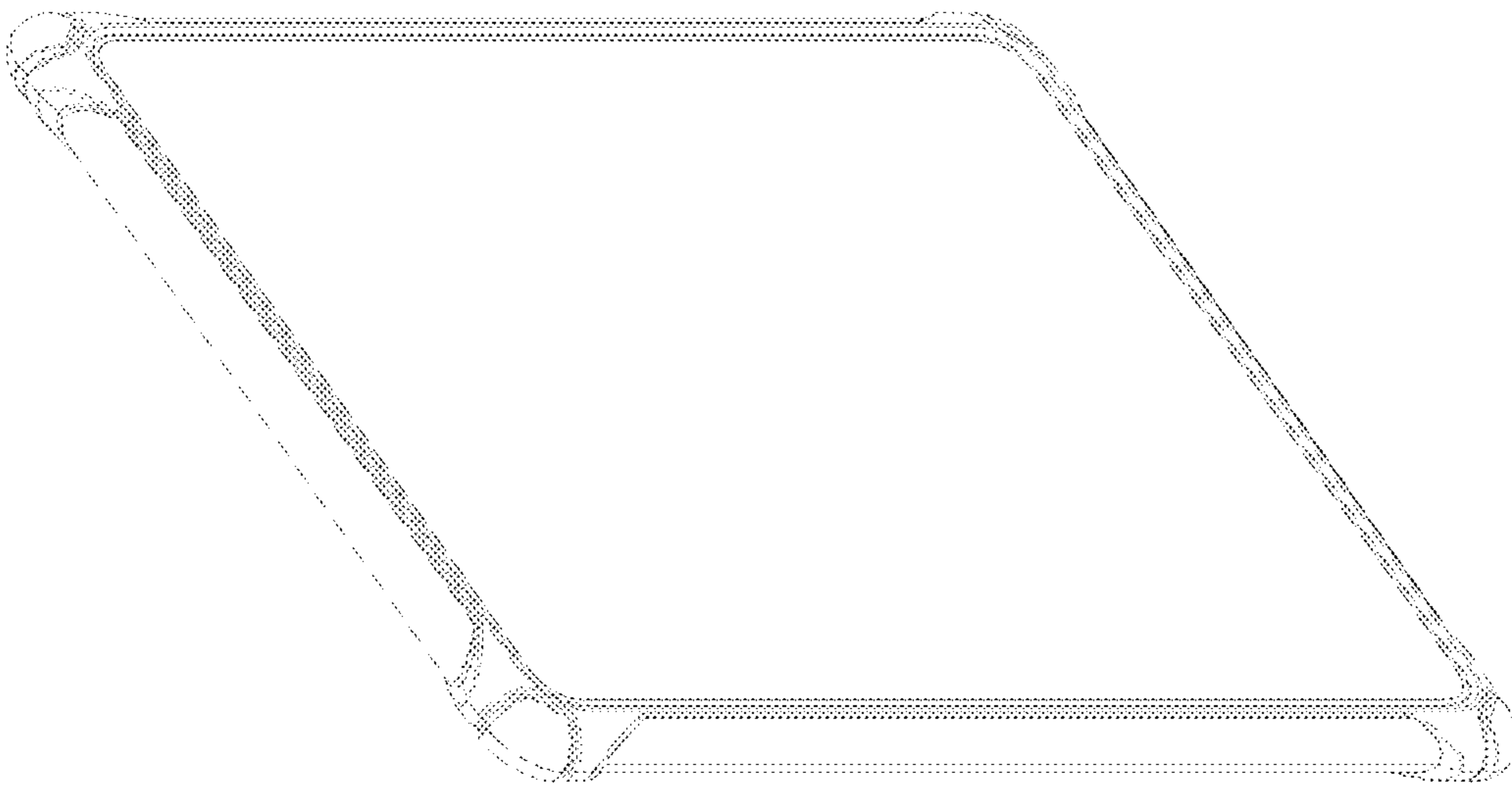


FIG. 7

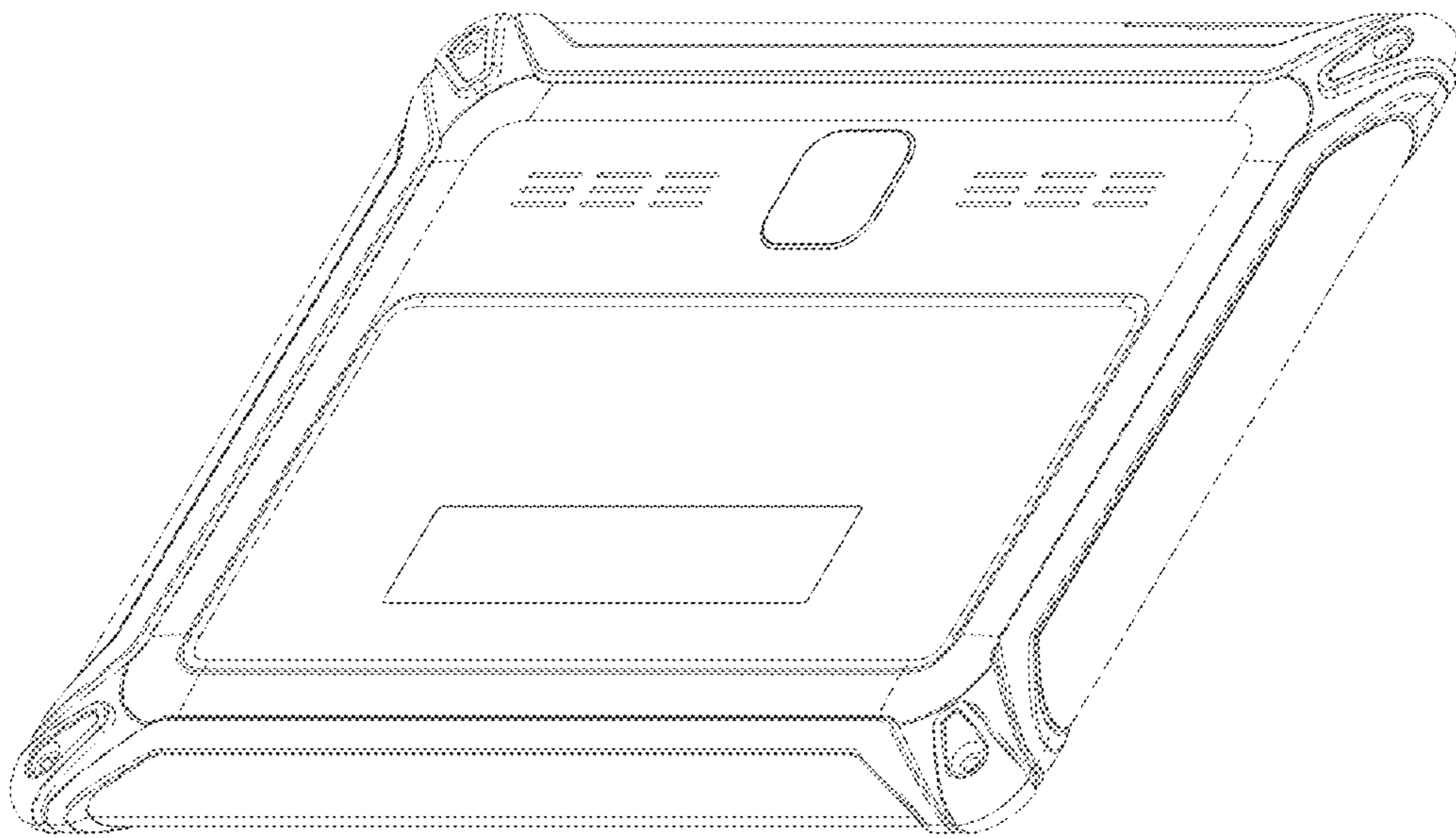


FIG.8