



US00D971758S

(12) **United States Design Patent**
Waszak et al.

(10) **Patent No.:** **US D971,758 S**

(45) **Date of Patent:** **** Dec. 6, 2022**

(54) **ENVIRONMENTAL SENSOR**

(71) Applicant: **L & M Instruments LLC**, San Diego, CA (US)

(72) Inventors: **John Waszak**, Westford, MA (US);
Steve Waszak, Escondido, CA (US)

(73) Assignee: **L & M Instruments LLC**, San Diego, CA (US)

(**) Term: **15 Years**

(21) Appl. No.: **29/764,721**

(22) Filed: **Dec. 31, 2020**

(51) **LOC (13) Cl.** **10-05**

(52) **U.S. Cl.**
USPC **D10/75**

(58) **Field of Classification Search**
USPC D10/40, 46, 47, 50, 57, 75, 76, 78, 85,
D10/102

CPC A61B 2560/0242; A61B 5/150335; G01N
21/33; G01N 2021/3155; G01J 1/429

See application file for complete search history.

(56) **References Cited**

U.S. PATENT DOCUMENTS

D255,225 S	*	6/1980	Lewis	D10/85
D302,394 S	*	7/1989	Merrell	D10/85
D312,581 S	*	12/1990	Klaves	D10/50
D376,547 S	*	12/1996	McRae	D10/78
D445,042 S	*	7/2001	Arpe	D10/50
D469,701 S	*	2/2003	Safronchik	D10/57

D477,784 S	*	7/2003	Wang	D10/57
D528,933 S	*	9/2006	Hunter	D10/78
D571,232 S	*	6/2008	Lawler	D10/57
D666,933 S	*	9/2012	Hoffman	D10/85
D671,016 S	*	11/2012	Rogers	D10/40
D671,022 S	*	11/2012	Hoffman	D10/85
D706,661 S	*	6/2014	Boyer	D10/102
D775,034 S	*	12/2016	Cook	D10/102
D785,471 S	*	5/2017	Rogers	D10/40
D808,828 S	*	1/2018	Béhar	D10/50
D811,245 S	*	2/2018	Combe	D10/50
D839,755 S	*	2/2019	Du	D10/46
D878,937 S	*	3/2020	Du	D10/57
D933,502 S	*	10/2021	Chi	D10/40

* cited by examiner

Primary Examiner — George D. Kirschbaum

Assistant Examiner — Lillian Windham

(74) *Attorney, Agent, or Firm* — Elmore Patent Law Group, P.C.; Carolyn S. Elmore

(57) **CLAIM**

The ornamental design for an environmental sensor, as shown and described.

DESCRIPTION

FIG. 1 is a front view of an environmental sensor showing our new design;

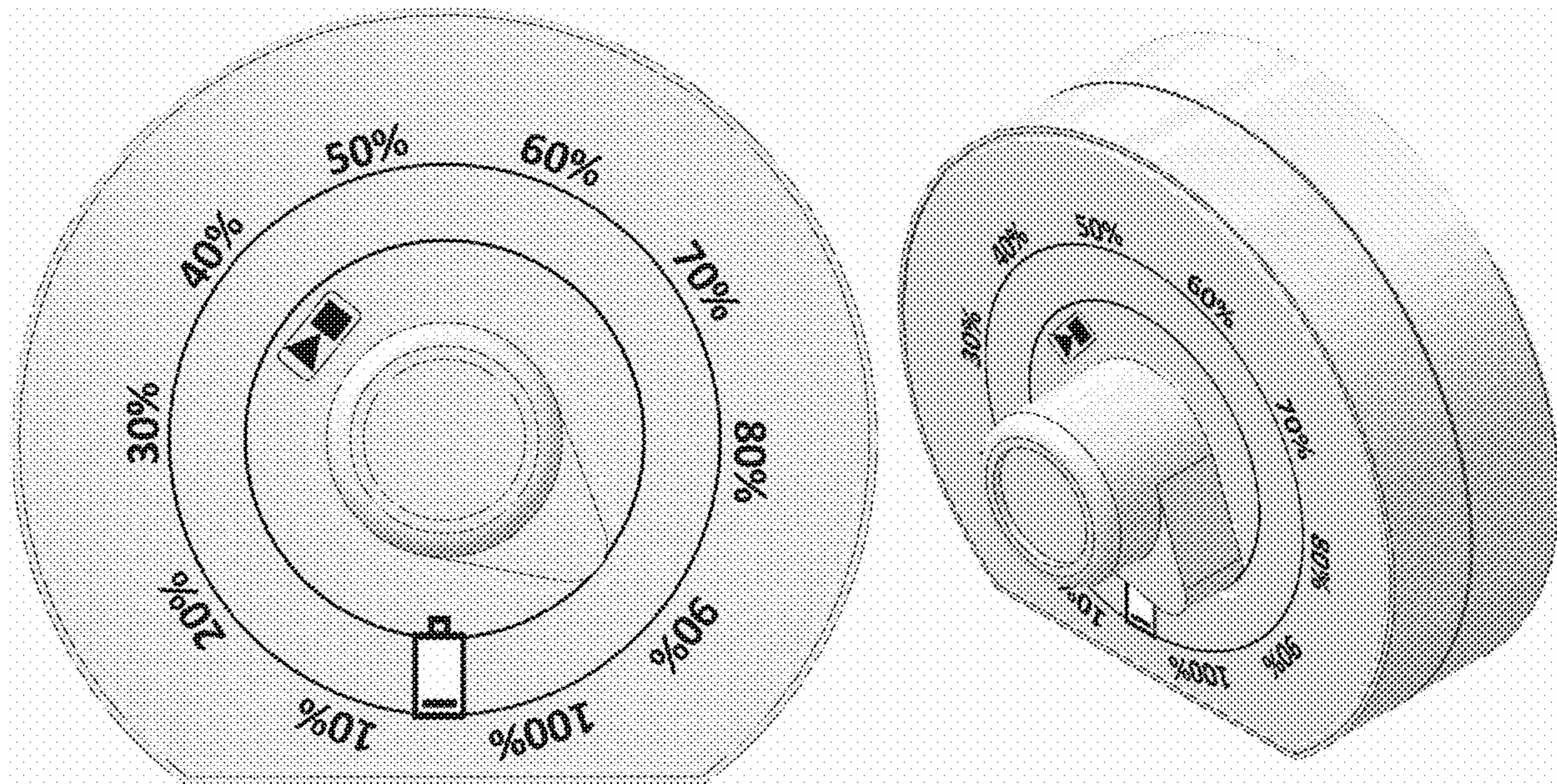
FIG. 2 is a perspective view thereof;

FIG. 3 is a right-side view thereof; and,

FIG. 4 is a left-side view thereof.

The bottom of the environmental sensor is flat and unornamented. The rear of the environmental sensor is flat and unornamented.

1 Claim, 4 Drawing Sheets



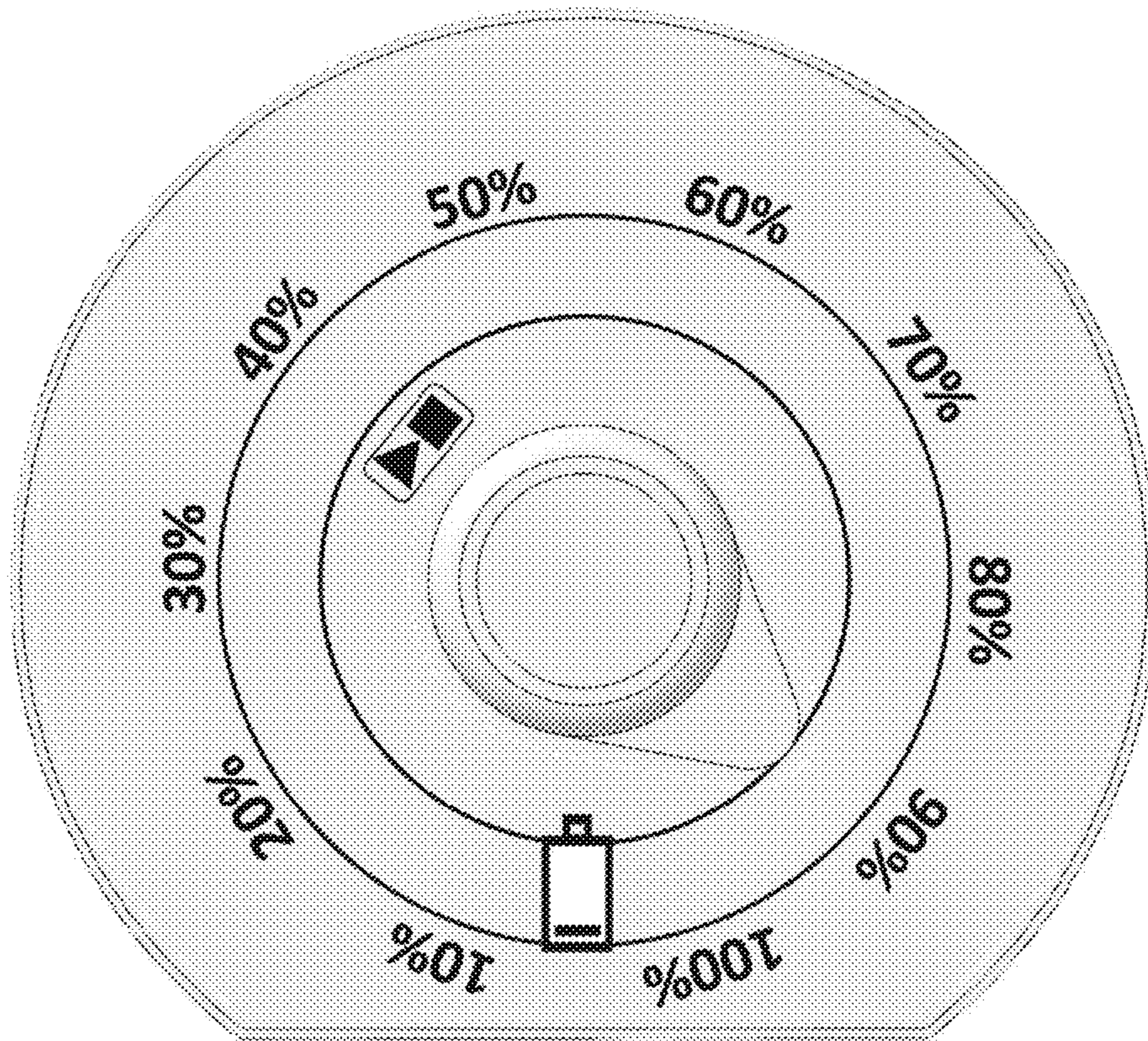


FIG. 1

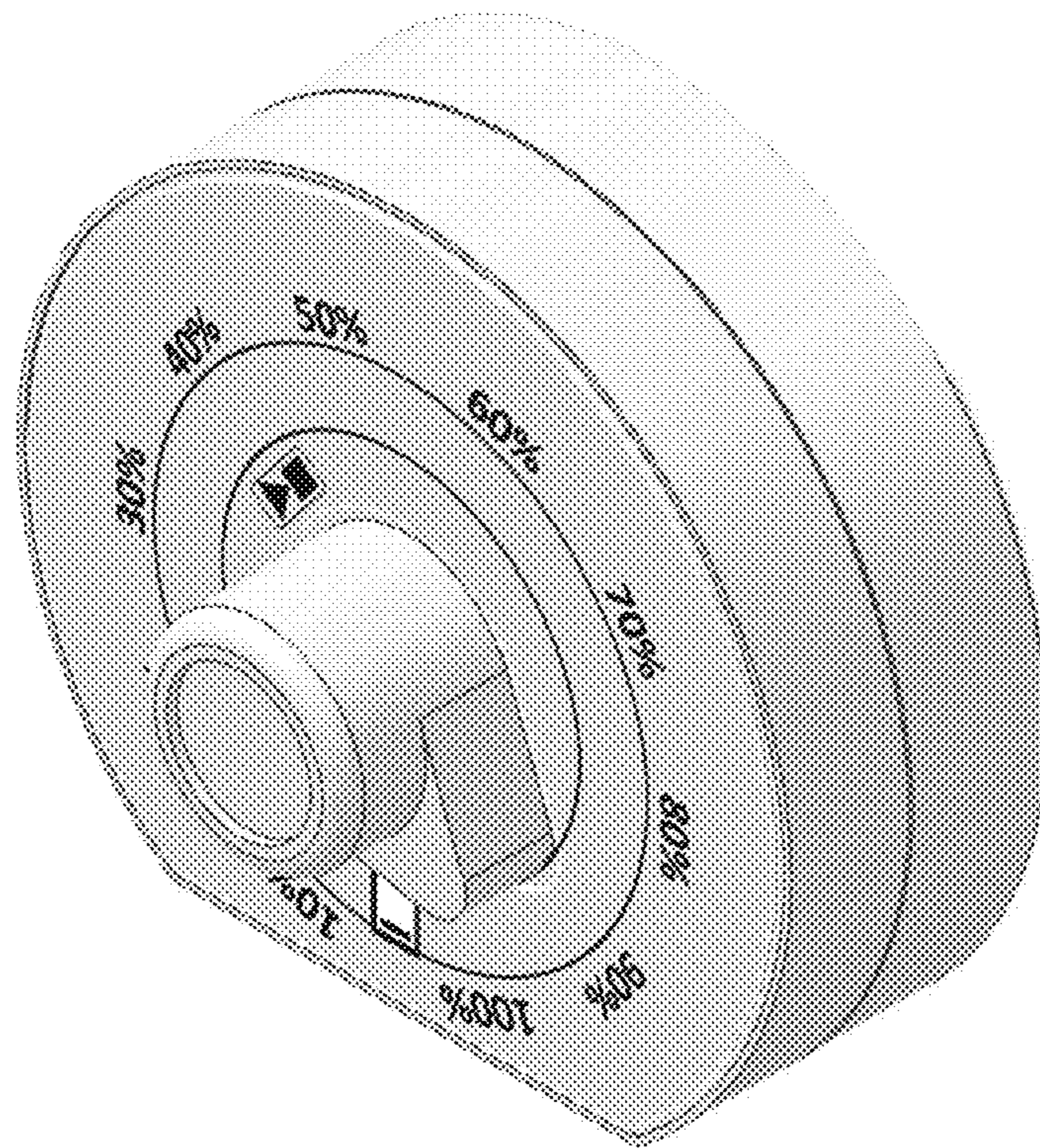


FIG. 2

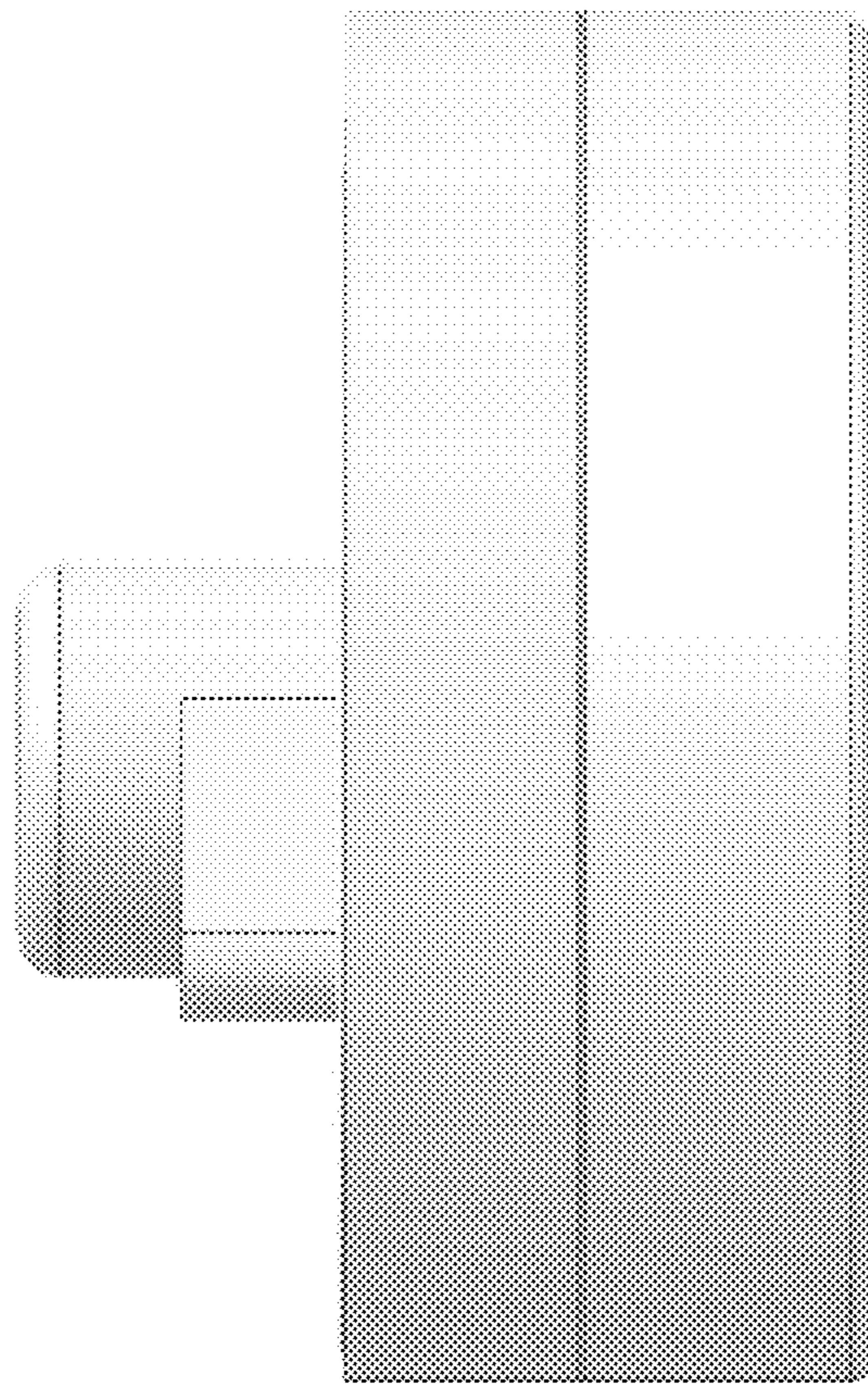


FIG. 3

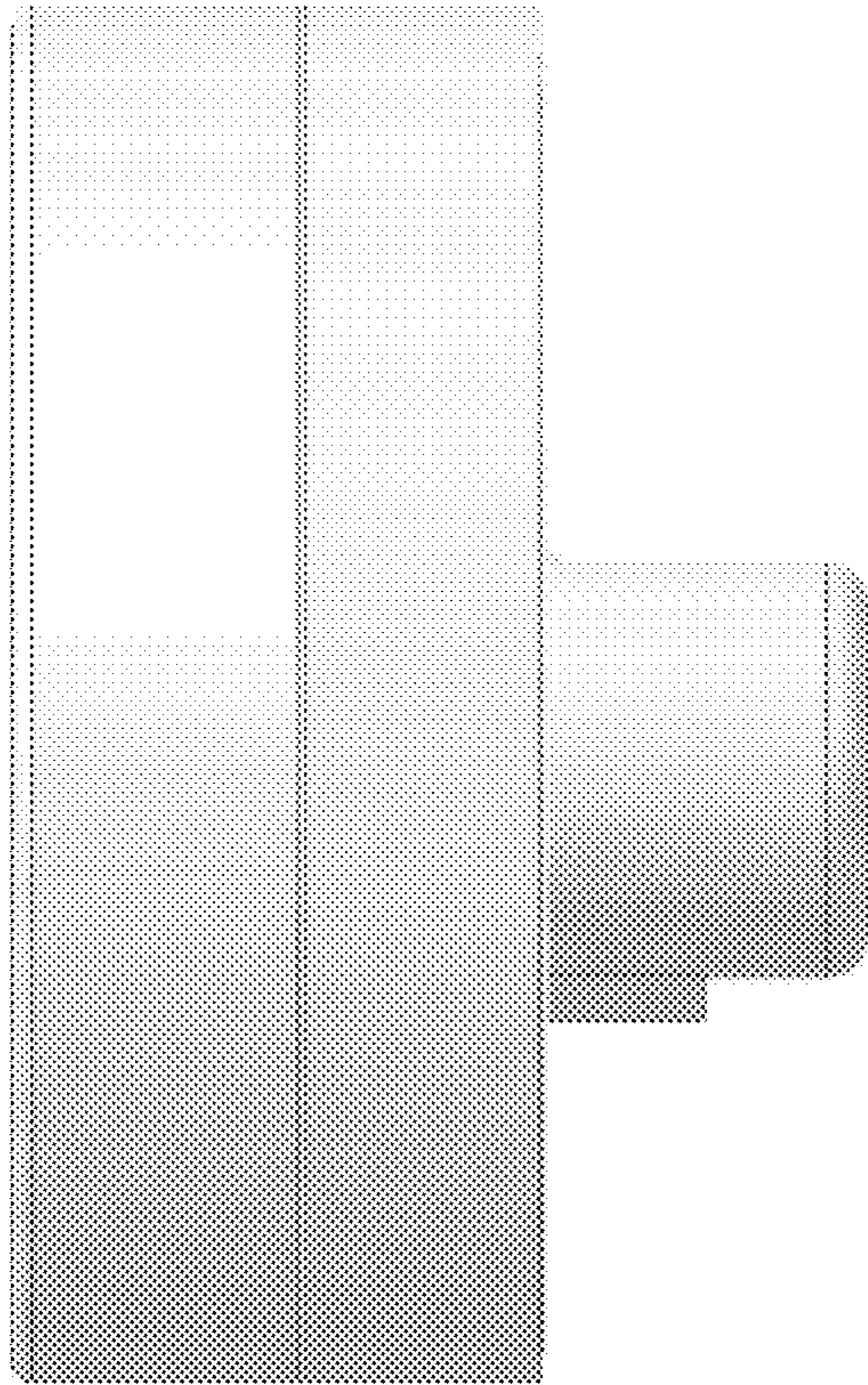


FIG. 4