



US00D971757S

(12) **United States Design Patent** (10) **Patent No.:** **US D971,757 S**  
**Davenport et al.** (45) **Date of Patent:** **\*\* Dec. 6, 2022**

(54) **MOUNTING LOCATION MARKER**

D506,012 S \* 6/2005 Crump ..... D25/112  
D710,032 S \* 7/2014 Chrien ..... D25/138  
D784,560 S \* 4/2017 D'Anglade ..... D25/119  
D796,066 S 8/2017 Shell  
D829,934 S \* 10/2018 Burnquist ..... D25/115

(71) Applicant: **3M INNOVATIVE PROPERTIES COMPANY**, St. Paul, MN (US)

(72) Inventors: **Mario A. Davenport**, Saint Paul, MN (US); **Joseph A. Hoffman**, Minneapolis, MN (US); **Landon B. Davis**, Woodbury, MN (US); **Andrew C. Stansel**, Woodbury, MN (US)

**FOREIGN PATENT DOCUMENTS**

CN 304288472 9/2017  
JP D1535676 10/2015

(73) Assignee: **3M Innovative Properties Company**, St. Paul, MN (US)

\* cited by examiner

*Primary Examiner* — George D. Kirschbaum

(\*\*) Term: **15 Years**

(57) **CLAIM**

(21) Appl. No.: **29/717,850**

The ornamental design for a mounting location marker, as shown and described.

(22) Filed: **Dec. 19, 2019**

(51) **LOC (13) Cl.** ..... **10-04**

(52) **U.S. Cl.**  
USPC ..... **D10/74**

**DESCRIPTION**

(58) **Field of Classification Search**  
USPC ..... D10/104.1; D25/109, 119; D8/402, 403  
See application file for complete search history.

FIG. 1 is a perspective view showing an embodiment of a new design for a mounting location marker;  
FIG. 2 is a front view thereof;  
FIG. 3 is a rear view thereof;  
FIG. 4 is a right side view thereof;  
FIG. 5 is a left side view thereof;  
FIG. 6 is a top view thereof; and,  
FIG. 7 is a bottom view thereof.

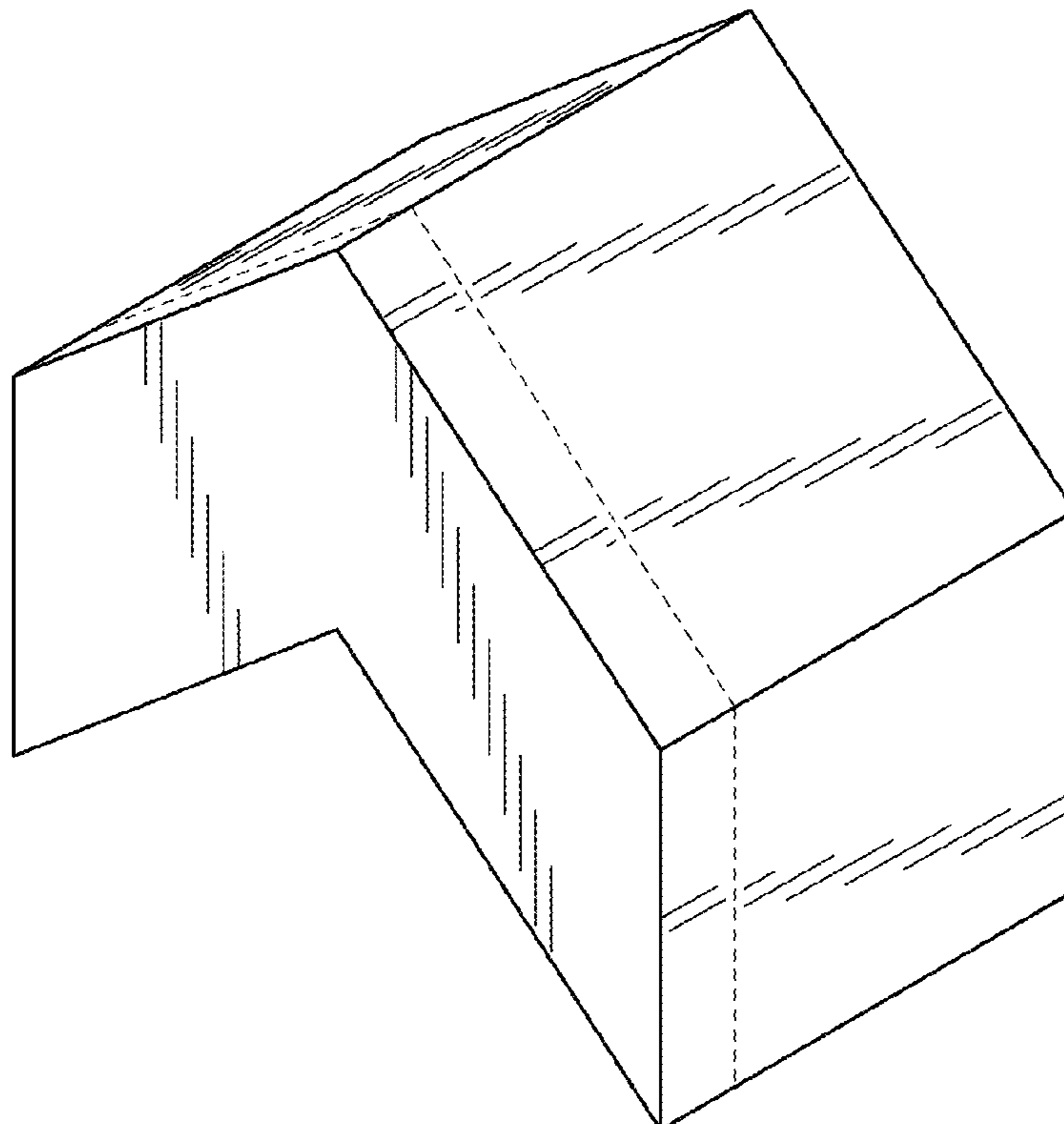
(56) **References Cited**

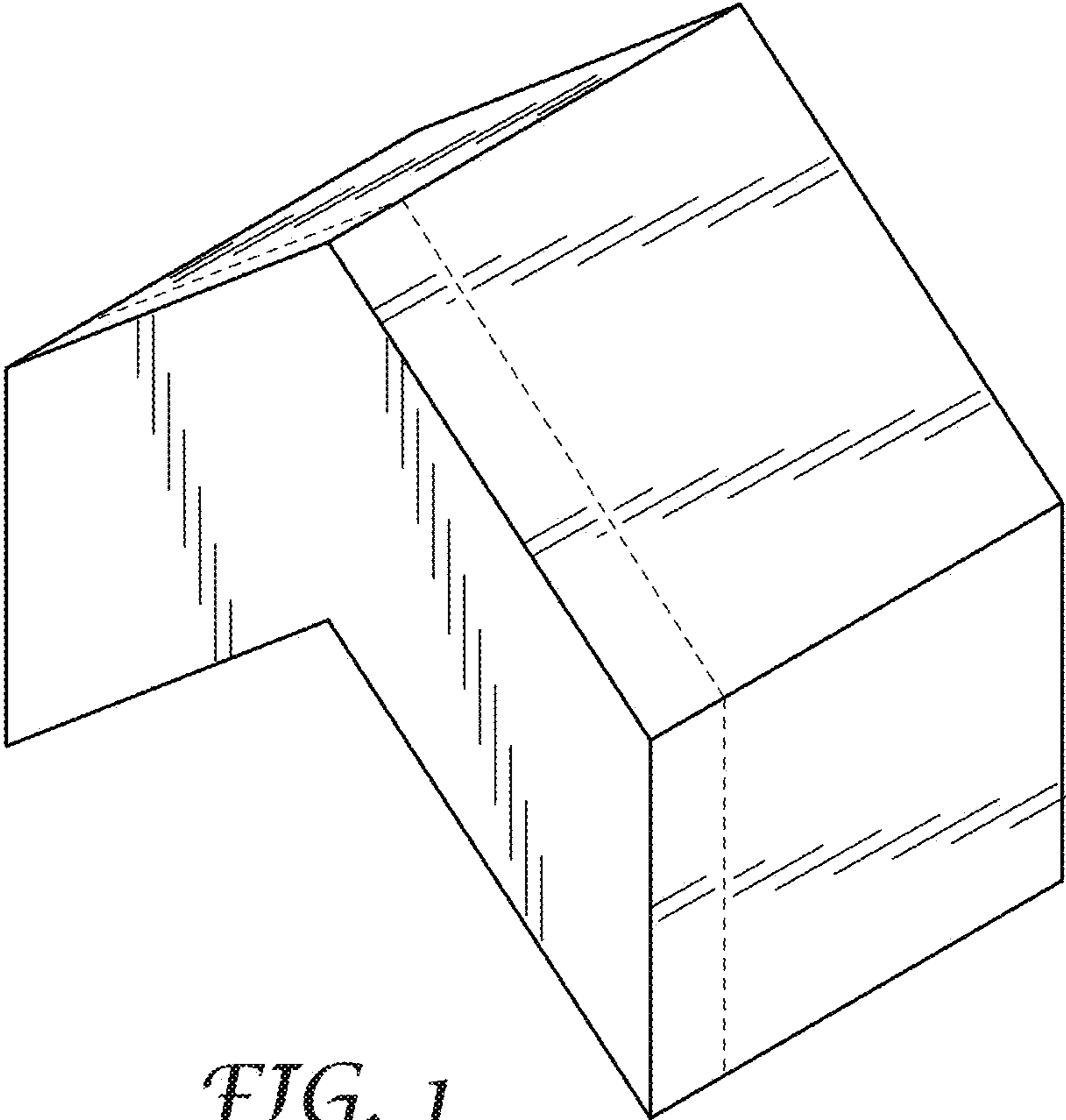
**U.S. PATENT DOCUMENTS**

D9,363 S \* 7/1876 Cummings ..... D25/119  
D246,386 S \* 11/1977 Hardin ..... D25/113  
D301,063 S \* 5/1989 Risi ..... D25/113  
D313,280 S \* 12/1990 Rodenburgh ..... D25/113  
D373,963 S \* 9/1996 Nagai ..... D10/85

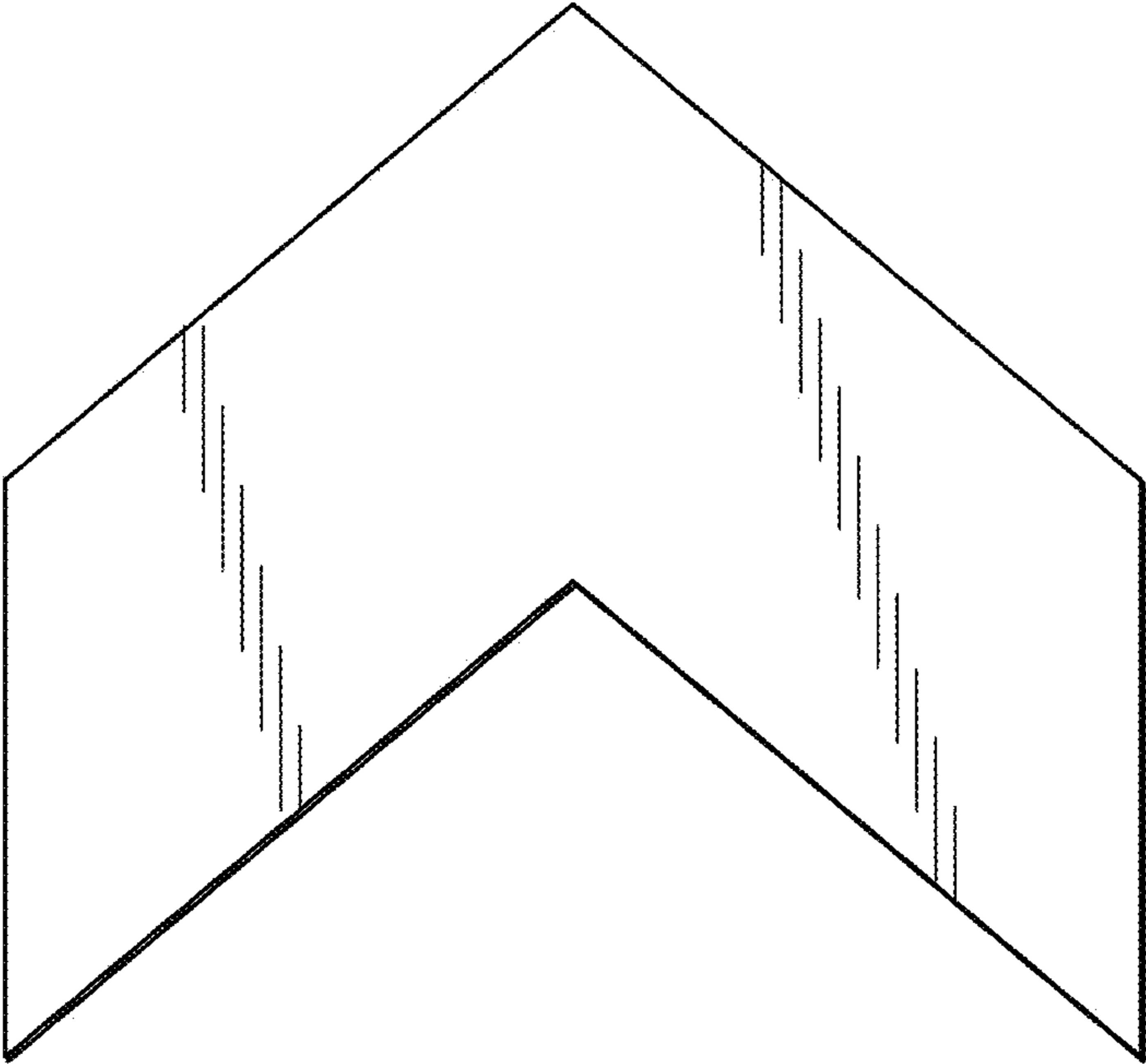
The fine dash-dash broken lines depict environmental subject matter that forms no part of the claimed design.

**1 Claim, 3 Drawing Sheets**

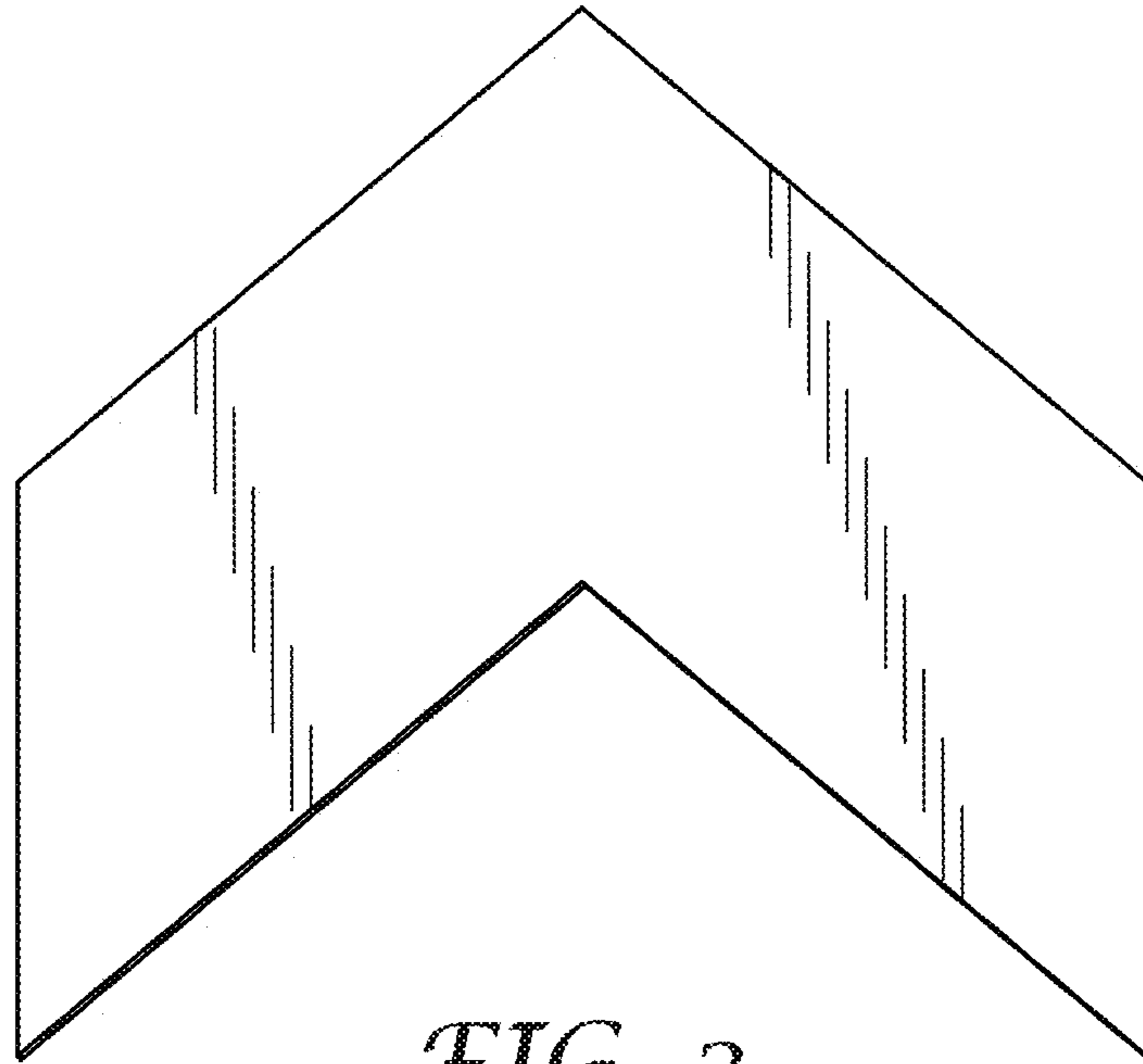




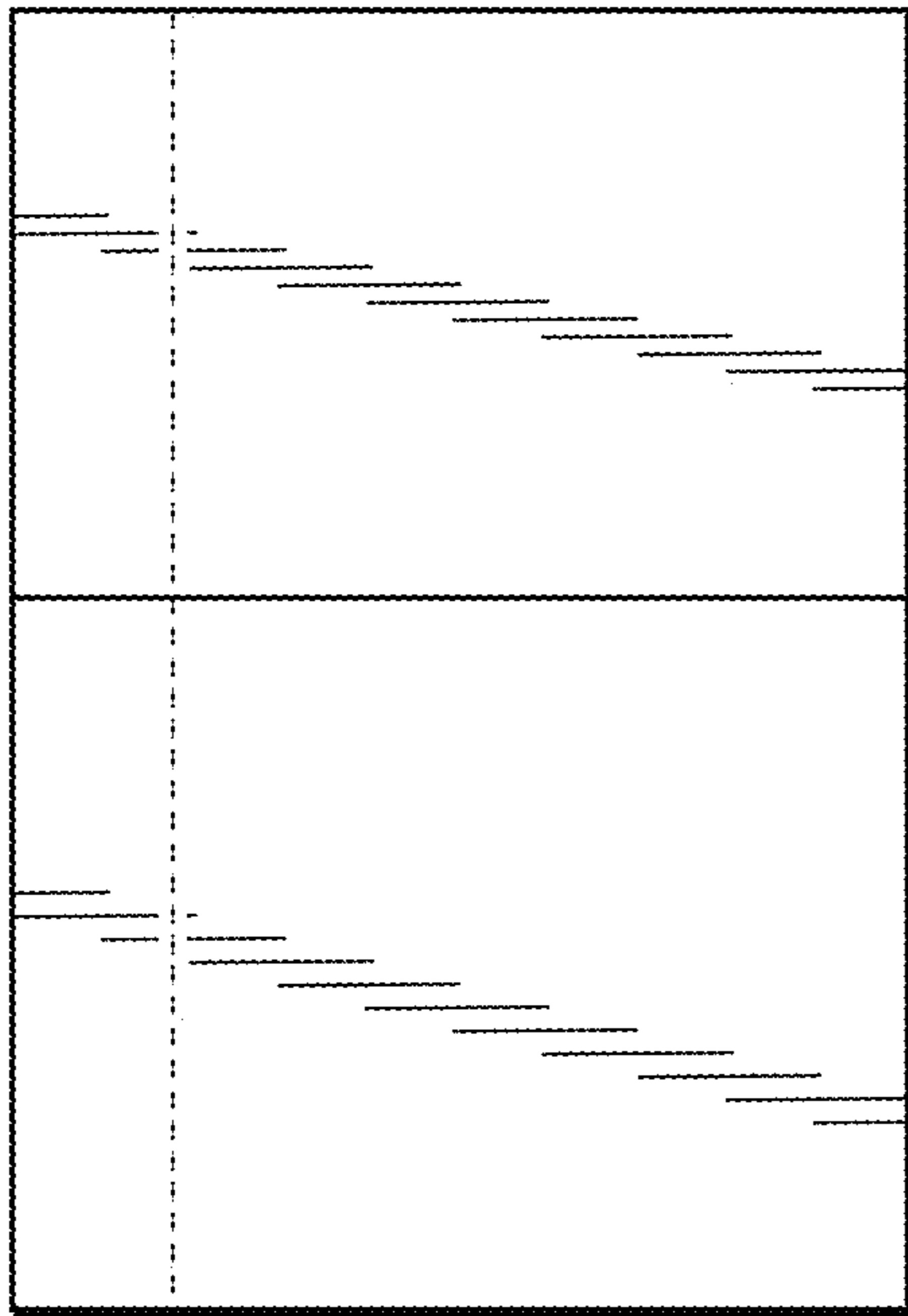
*FIG. 1*



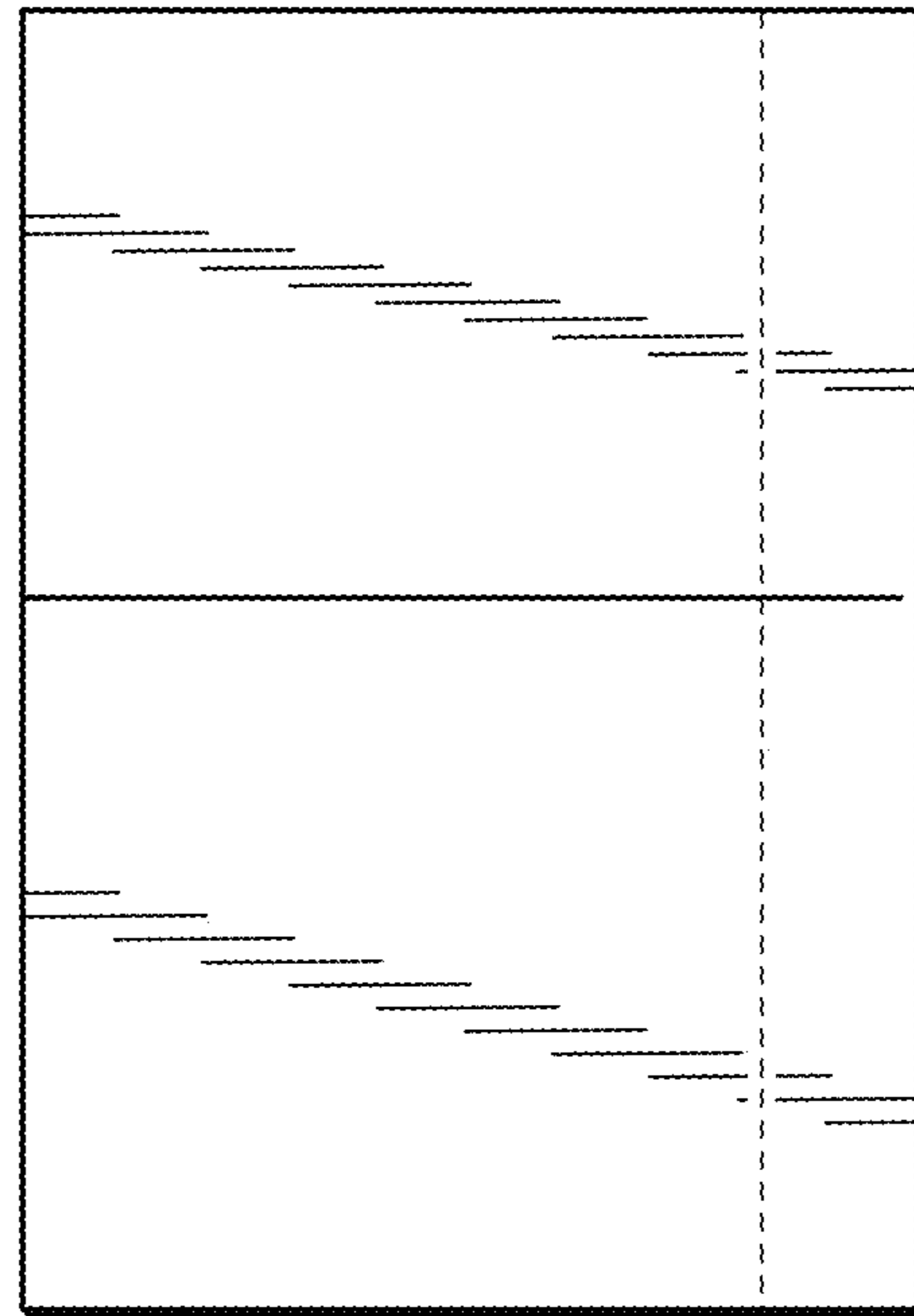
*FIG. 2*



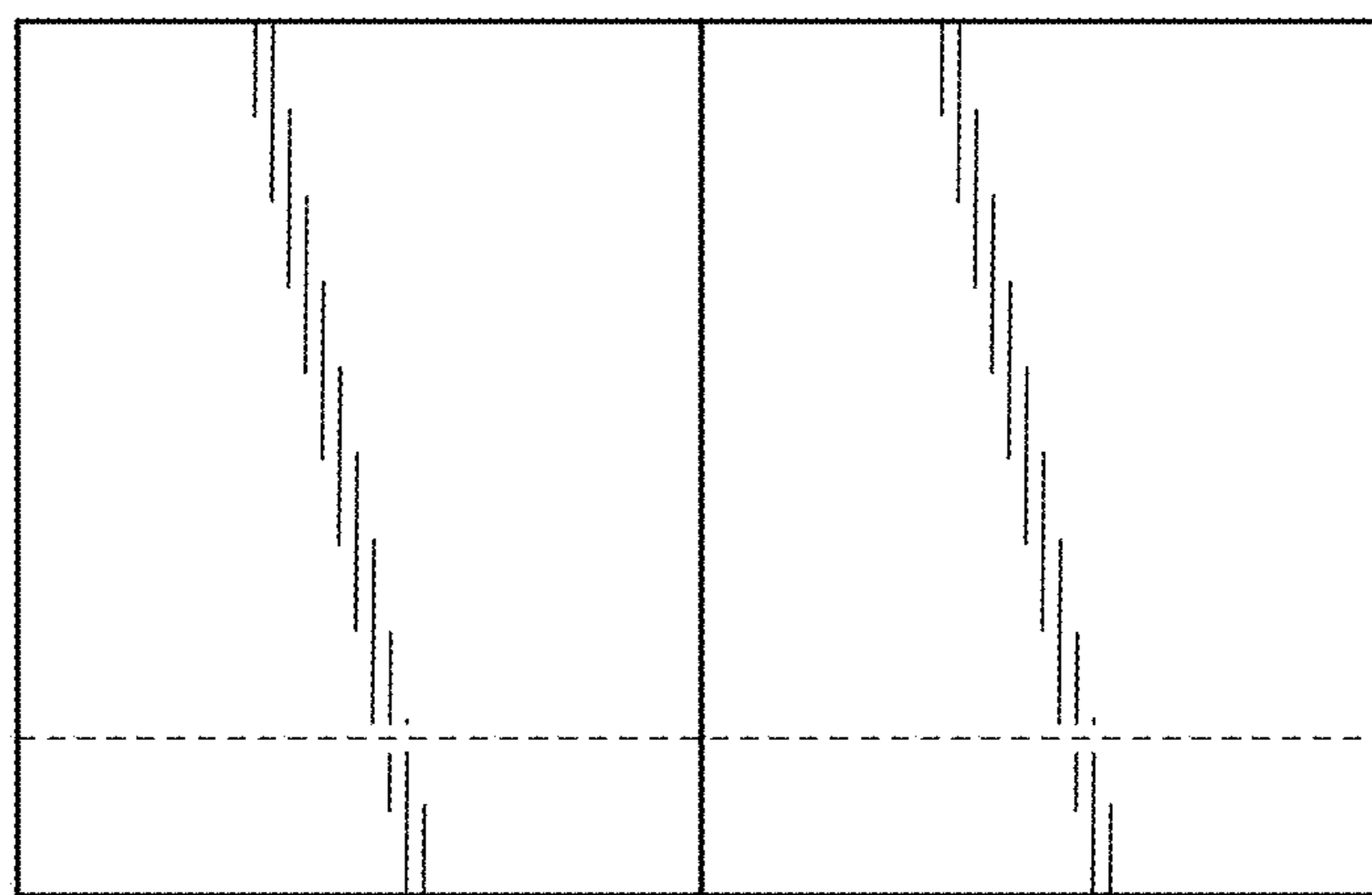
*FIG. 3*



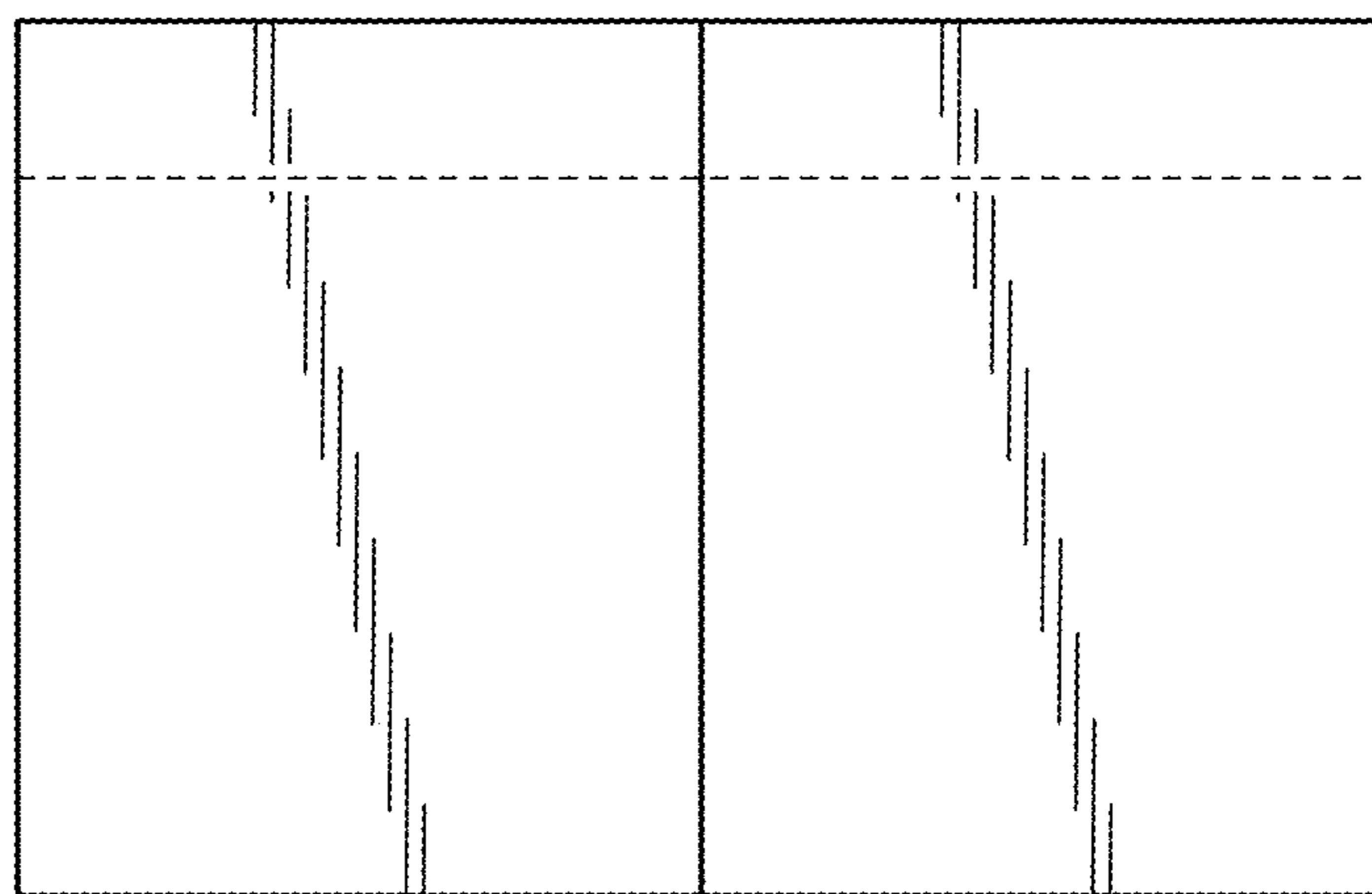
*FIG. 4*



*FIG. 5*



*FIG. 6*



*FIG. 7*