



US00D971753S

(12) **United States Design Patent**
Yoon

(10) **Patent No.:** **US D971,753 S**

(45) **Date of Patent:** **** Dec. 6, 2022**

(54) **ENVIRONMENT SENSING MODULE**

G01W 1/16; G01W 1/17; G01W 1/18;
G01W 2001/006; G01W 2201/00; G01W
2203/00

(71) Applicant: **LUXROBO CO., LTD.**, Seoul (KR)

See application file for complete search history.

(72) Inventor: **Son Yoon**, Seoul (KR)

(73) Assignee: **LUXROBO CO., LTD.**, Seoul (KR)

(56) **References Cited**

(**) Term: **15 Years**

U.S. PATENT DOCUMENTS

(21) Appl. No.: **29/778,633**

D790,367 S *	6/2017	Krafft	D10/52
D849,570 S *	5/2019	Sakalowsky	D10/52
D860,829 S *	9/2019	Yun	D10/53
D939,975 S *	1/2022	Gong	D10/52

(22) Filed: **Apr. 14, 2021**

* cited by examiner

(30) **Foreign Application Priority Data**

Mar. 9, 2021 (KR) 30-2021-0011380

Primary Examiner — Antoine Duval Davis

(51) **LOC (13) Cl.** **10-04**

(74) *Attorney, Agent, or Firm* — Birch, Stewart, Kolasch & Birch, LLP

(52) **U.S. Cl.**
USPC **D10/53**

(58) **Field of Classification Search**
USPC D10/52, 53
CPC G01N 1/2273; G01N 2001/2276; G01N
2001/2279; G01N 7/00; G01N 7/02;
G01N 7/04; G01N 7/06; G01N 7/08;
G01N 7/10; G01N 7/12; G01N 7/14;
G01N 7/16; G01N 7/18; G01N 7/20;
G01N 7/22; G01N 33/009; G01N
2033/0077; G01N 2003/0078; G01N
2033/008; G01N 2033/0081; G01N
2033/0083; G01N 2033/0085; G01N
2033/0086; G01N 2033/0088; G01N
33/0075; H04B 17/23; G01S 5/0009;
G01S 5/0018; G01S 5/0036; G01W 1/02;
G01W 1/04; G01W 1/06; G01W 1/10;
G01W 1/11; G01W 1/12; G01W 1/14;

(57) **CLAIM**

The ornamental design for an environment sensing module, as shown and described.

DESCRIPTION

FIG. 1 is a top perspective view of the environment sensing module showing my new design;
FIG. 2 is a front view thereof;
FIG. 3 is a rear view thereof;
FIG. 4 is a left side view thereof;
FIG. 5 is a right side view thereof;
FIG. 6 is a top plan view thereof;
FIG. 7 is a bottom plan view thereof; and,
FIG. 8 is a bottom perspective view thereof.

1 Claim, 8 Drawing Sheets

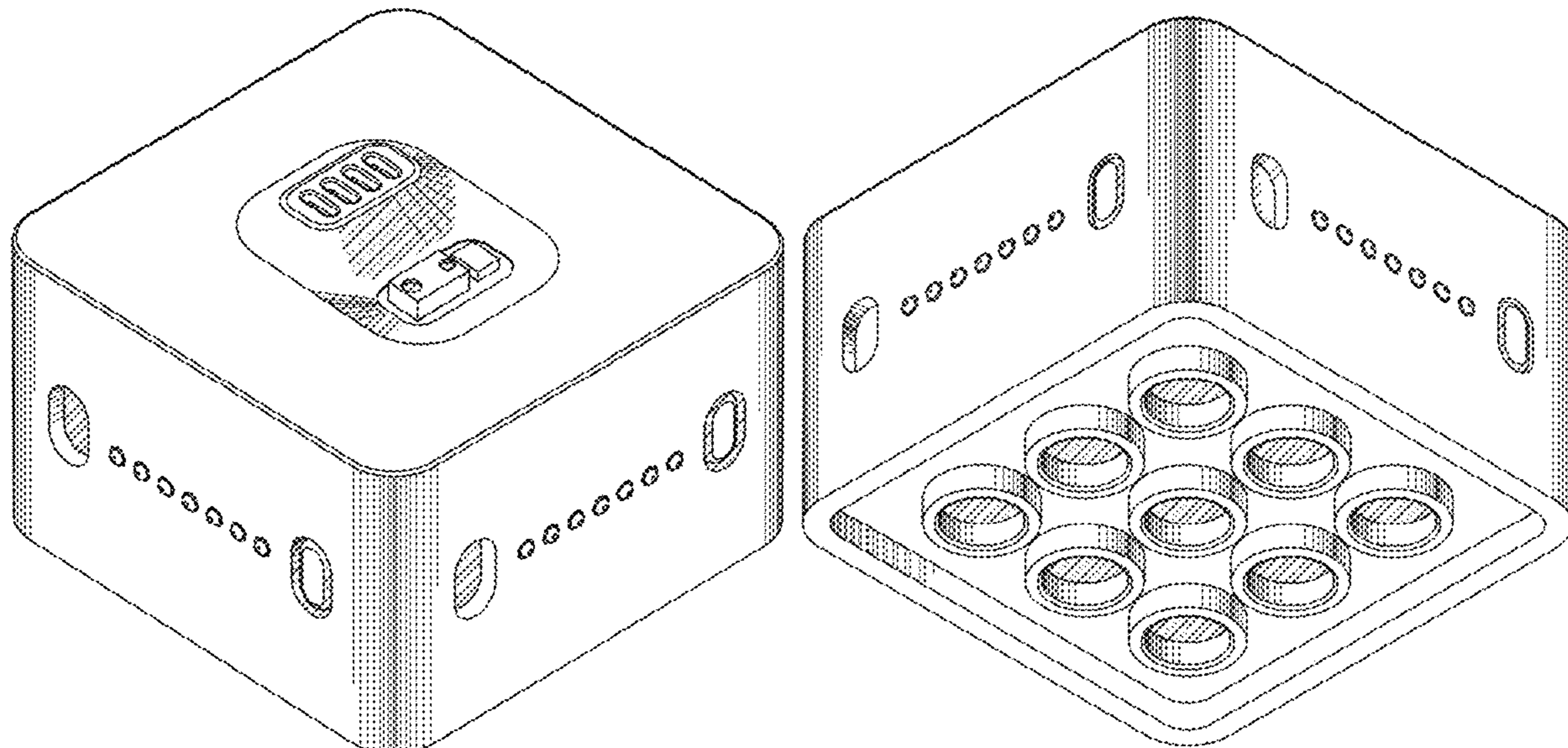


FIG. 1

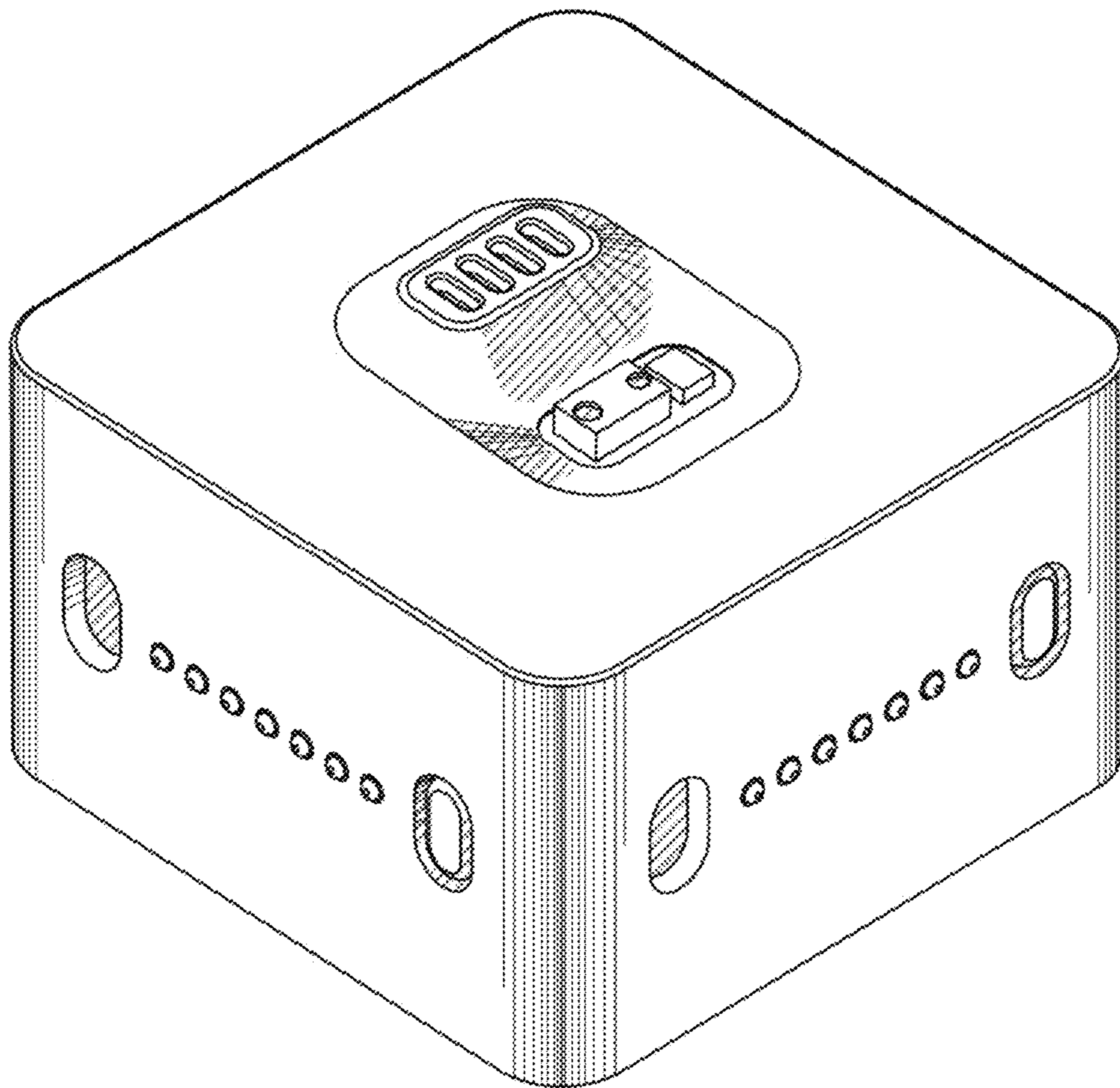


FIG. 2

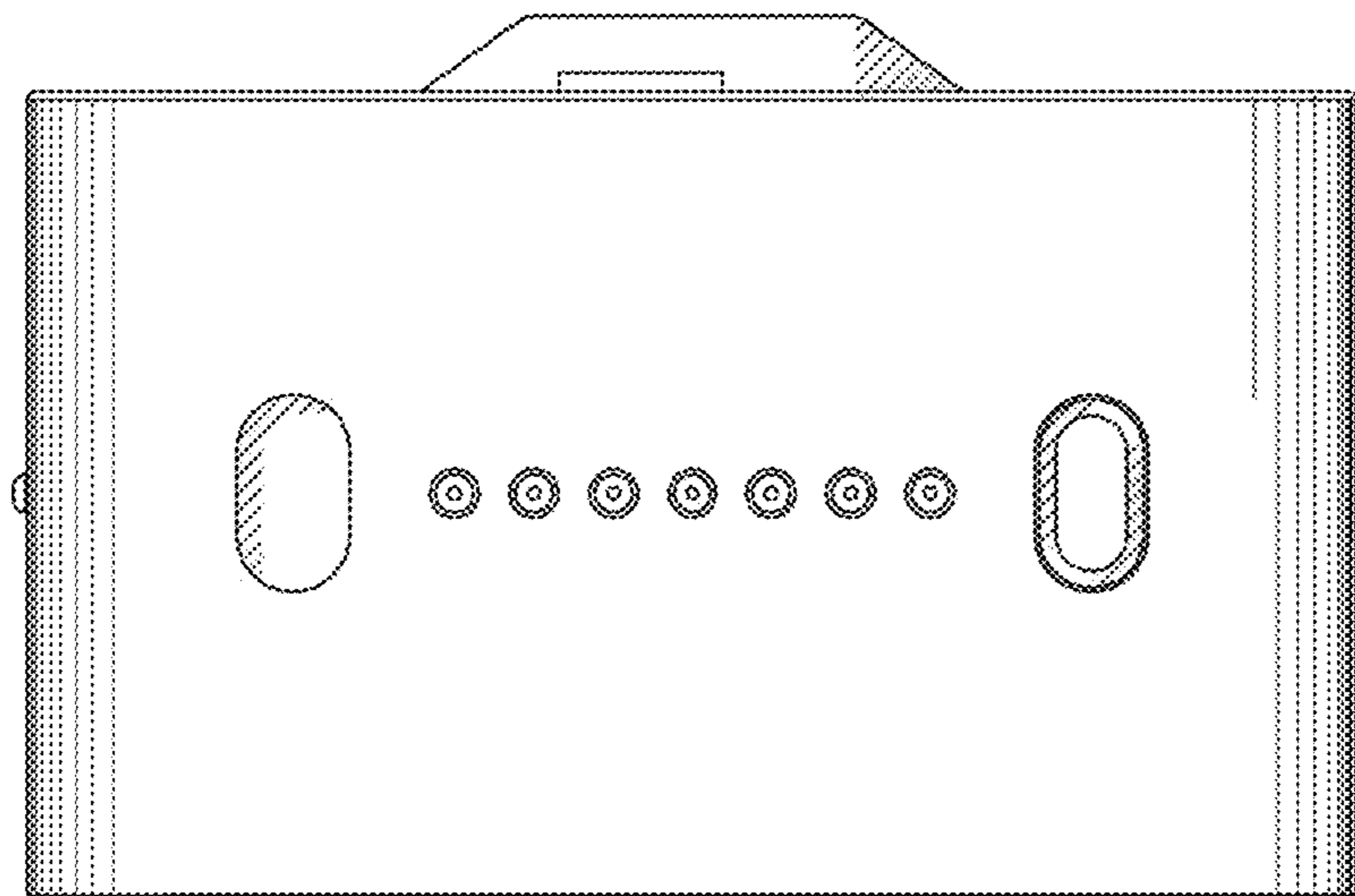


FIG. 3

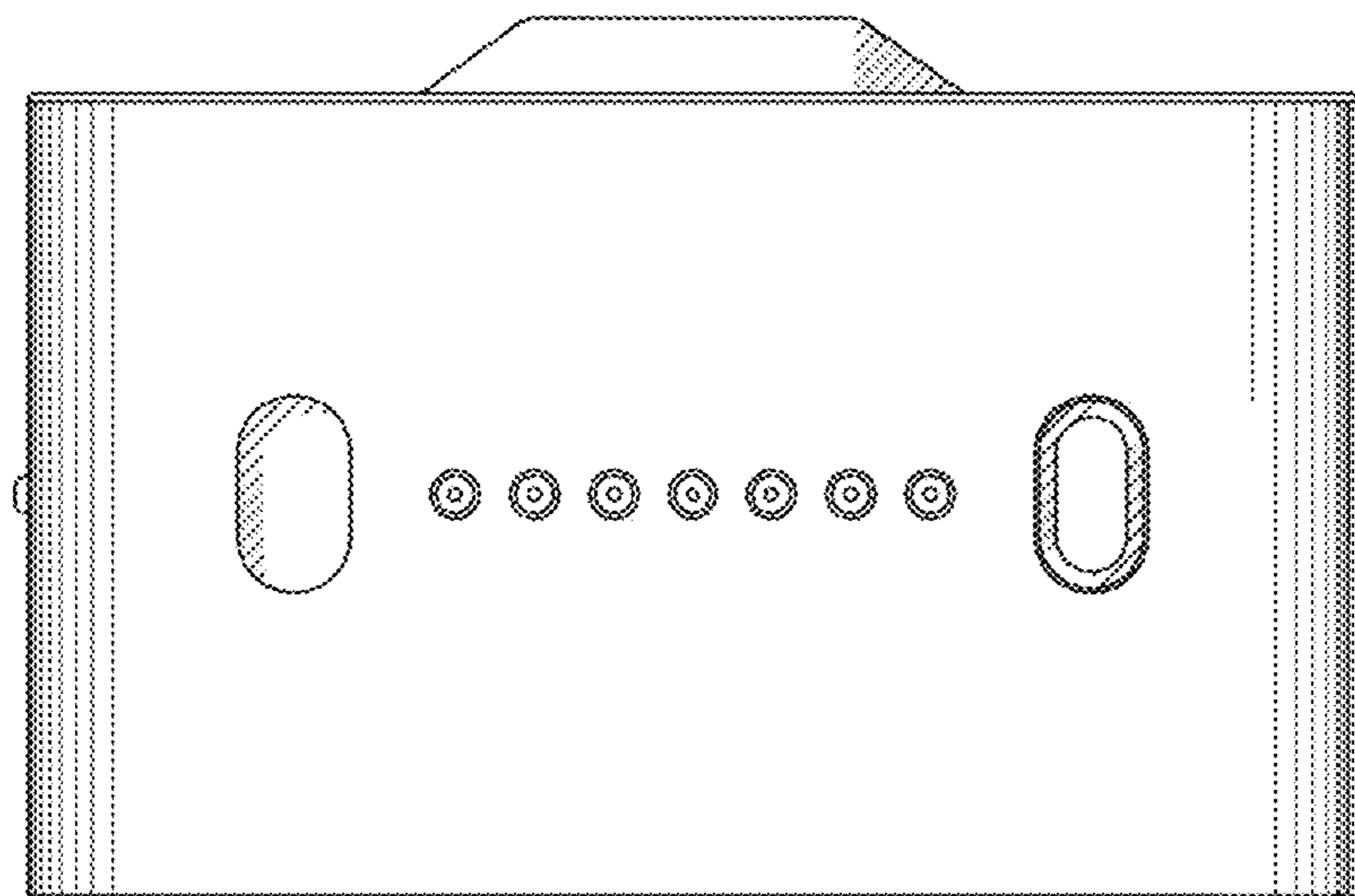


FIG. 4

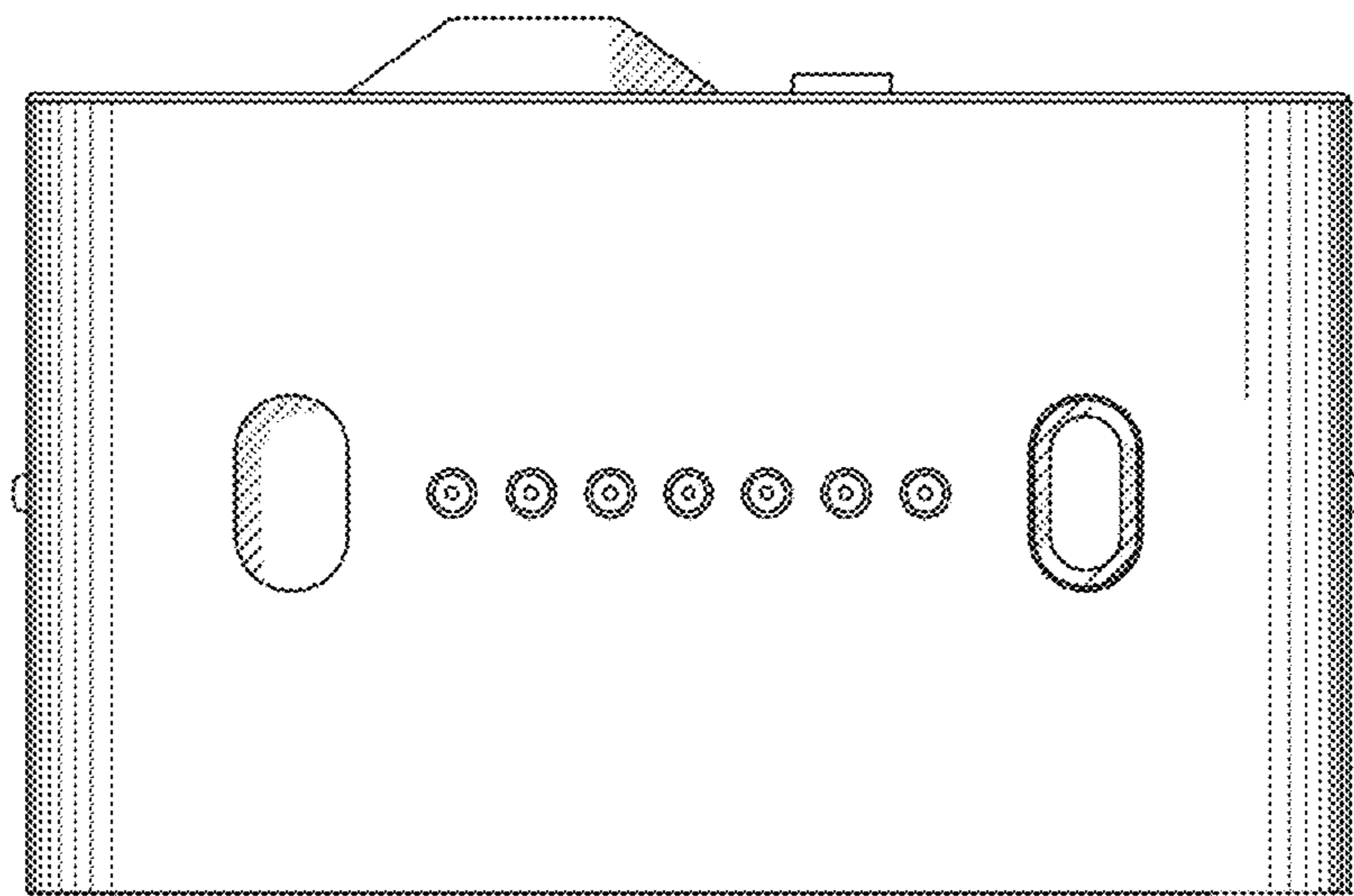


FIG. 5

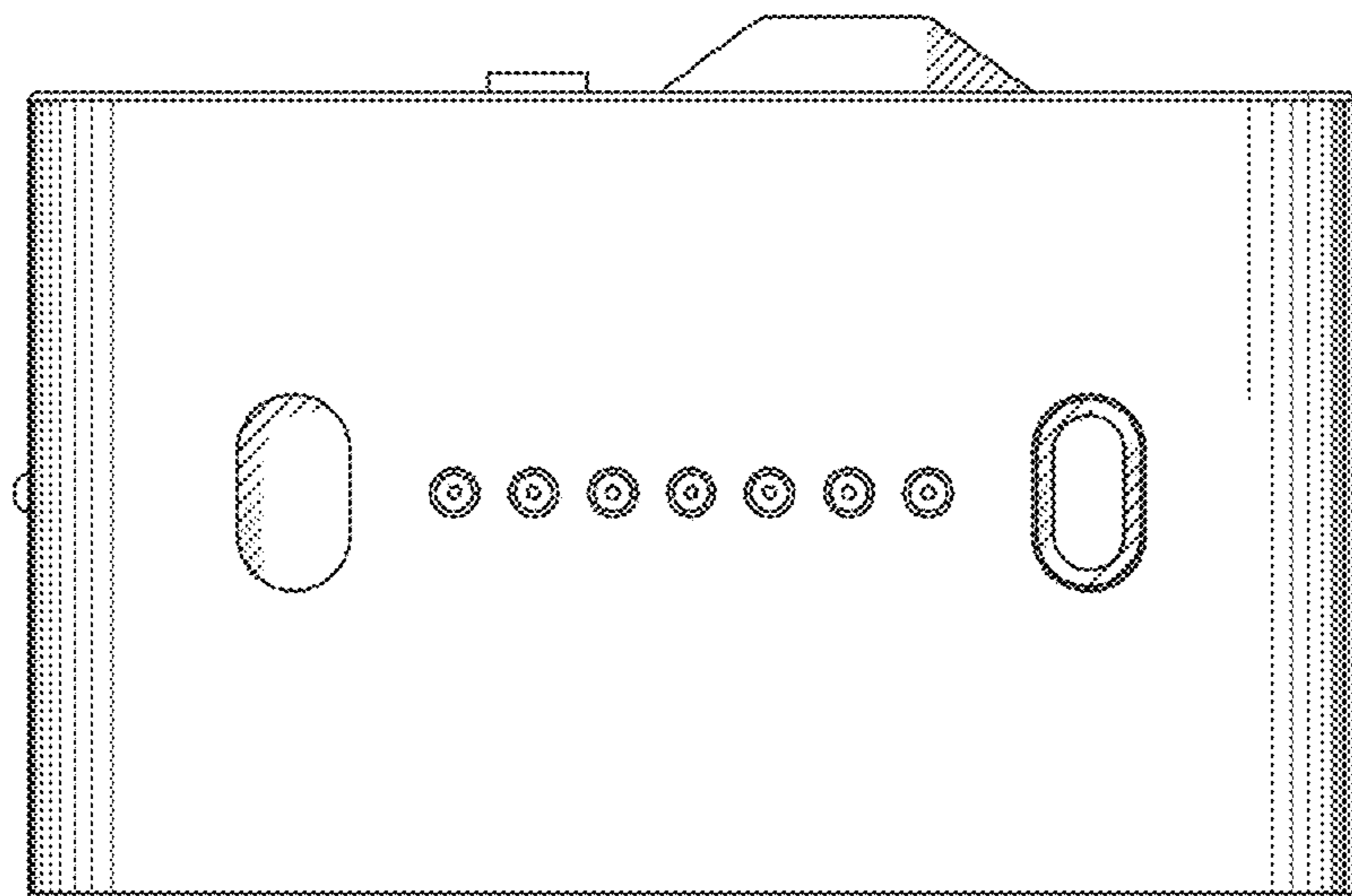


FIG. 6

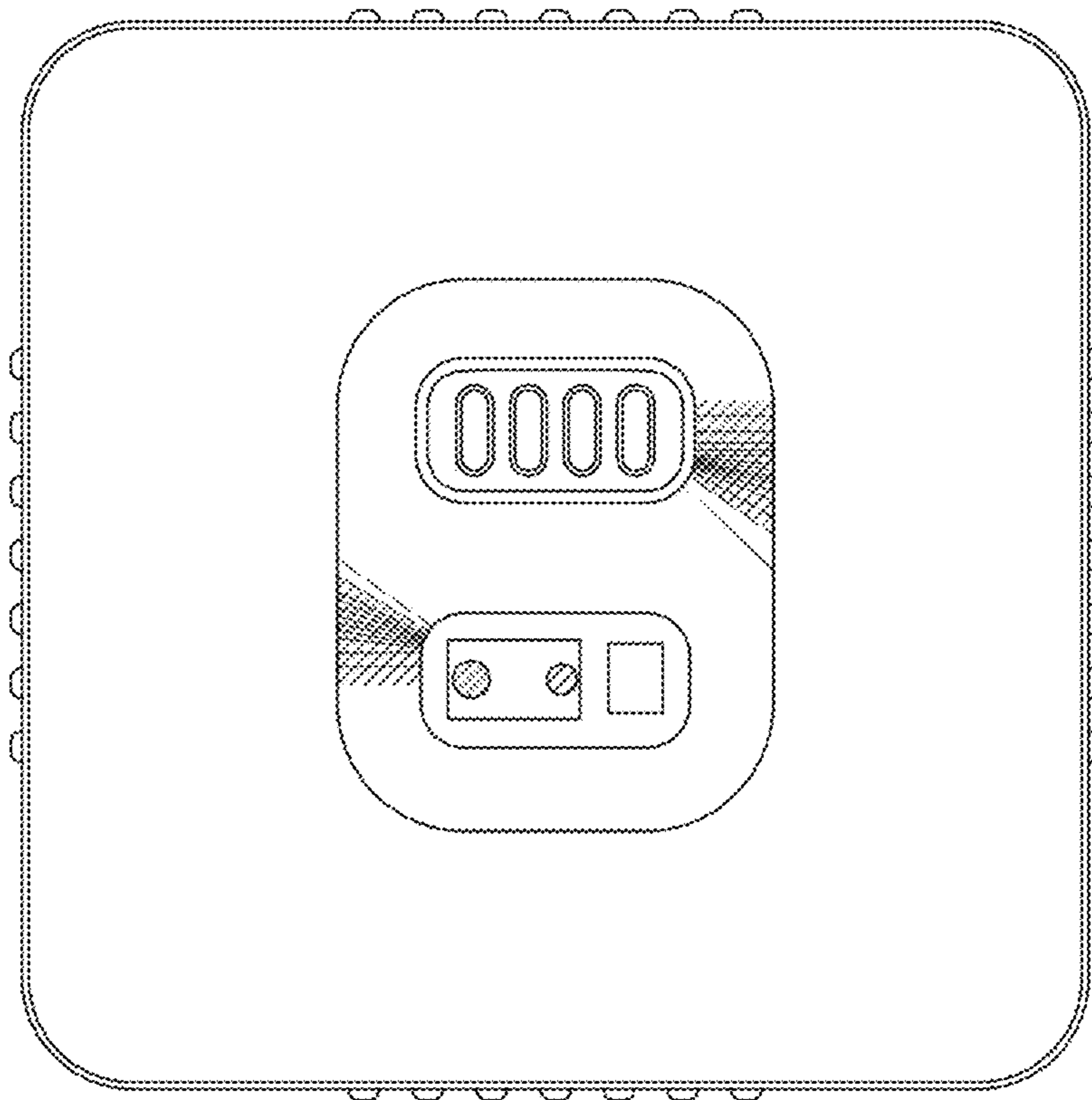


FIG. 7

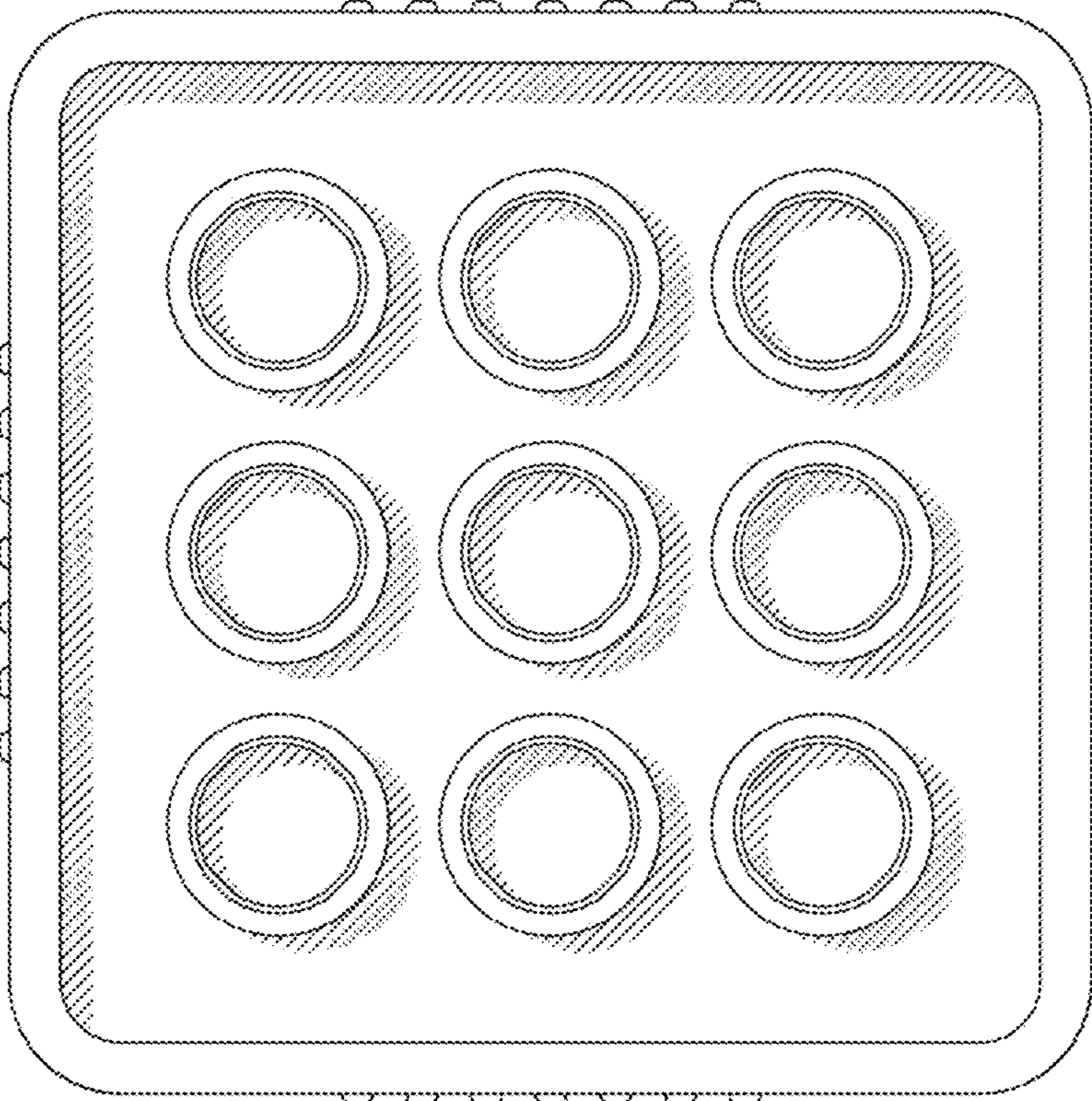


FIG. 8

