



US00D971748S

(12) **United States Design Patent**
Deng

(10) **Patent No.:** **US D971,748 S**
(45) **Date of Patent:** **** Dec. 6, 2022**

(54) **CONTROL BOX OF METAL DETECTOR**

FOREIGN PATENT DOCUMENTS

(71) Applicant: **Shanghai Tianxun Electronic Equipment Co., Ltd**, Shanghai (CN)

CN 301994031 * 3/2012
CN 008982524-0001 * 4/2022
CN 307422826 * 4/2022

(72) Inventor: **Junhong Deng**, Shanghai (CN)

(Continued)

(**) Term: **15 Years**

OTHER PUBLICATIONS

(21) Appl. No.: **29/792,578**

(22) Filed: **Apr. 7, 2022**

(51) **LOC (13) Cl.** **10-04**

(52) **U.S. Cl.**

USPC **D10/47**

(58) **Field of Classification Search**

USPC D10/47; D14/489-494, 383, 357, 341

CPC G01B 21/08; G01B 11/002; G01B 7/26;

G01B 5/24; G01B 11/00; G01B 21/16;

G01V 3/10; G01V 3/087; G01V 3/081;

G01V 3/165; G01V 3/088; G01V 3/40;

G01V 3/08; G01V 3/15; G01V 3/104;

G01V 3/105; G01V 3/17; G06K 9/6215;

G01C 19/00; G01P 15/08; G06V 10/143;

H04W 4/029; H04W 4/02; G08B 21/24

See application file for complete search history.

Homedex, Professional Metal Detector, Date first available 2022, [online] retrieved Sep. 13, 2022, available from https://www.amazon.com/dp/B08D96PSG8/ref=sspa_dk_detail_5?psc=1&pf_rd_p=3481f441-61ac-4028-9c1a-7f9ce8ec50c5&pf_rd_r=AQ7NBTJJG6AQ3PACPQM9&pd_rd_wg=f4Epw&pd_rd_w=gYuA3&content-id=amzn1.sym.3481f441 (Year: 2022).*

(Continued)

Primary Examiner — Keli L Hill

Assistant Examiner — Sara S Sahneh

(57)

CLAIM

The ornamental design for a control box of metal detector, as shown and described.

(56) **References Cited**

U.S. PATENT DOCUMENTS

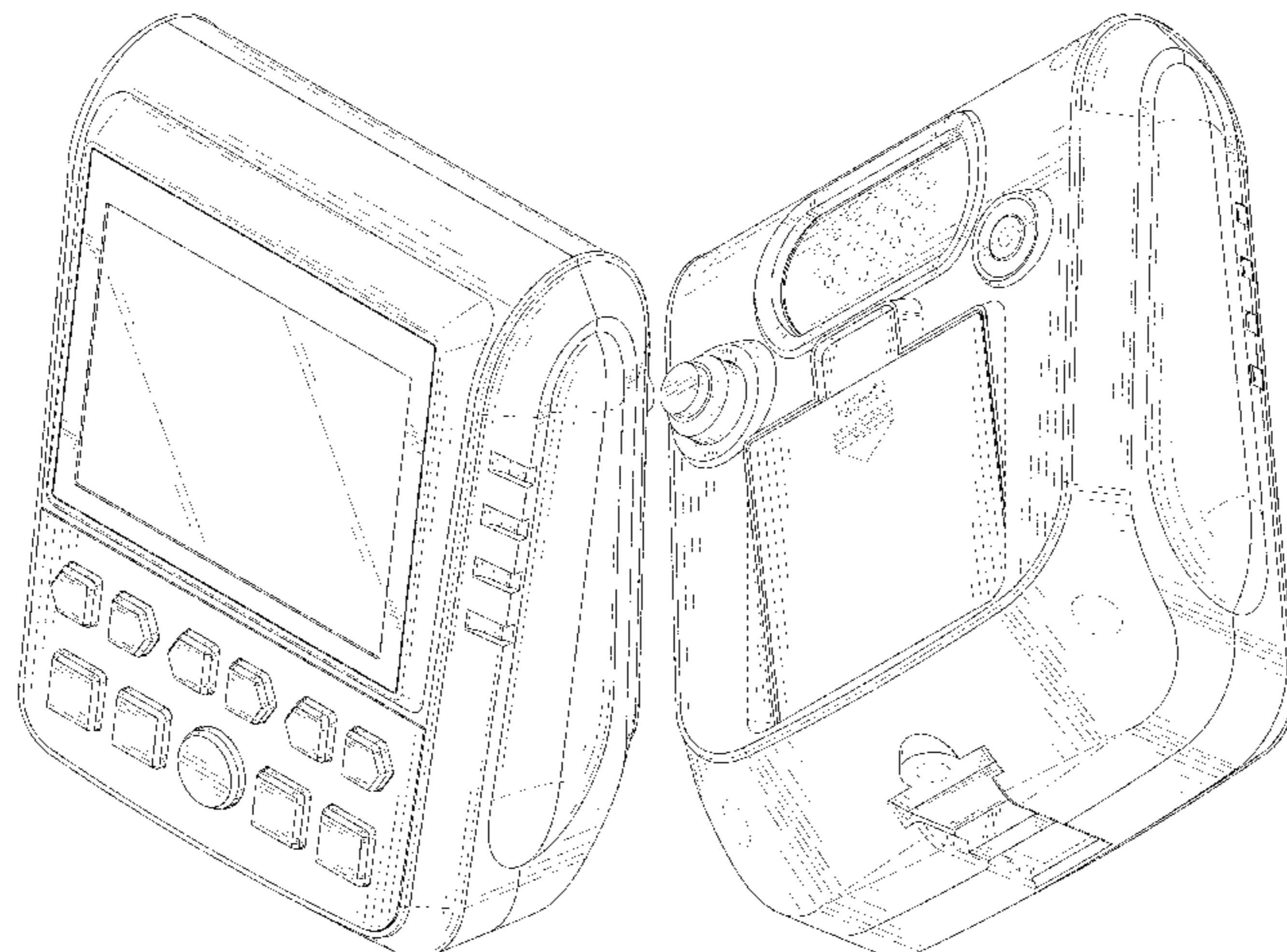
5,969,528	A *	10/1999	Weaver	G01V 3/108 324/243
D867,170	S *	11/2019	Deng	D10/47
D885,205	S *	5/2020	Deng	D10/47
D885,939	S *	6/2020	Deng	D10/47
D899,275	S *	10/2020	Ye	D10/47
D907,513	S *	1/2021	Qin	D10/47
D918,065	S	5/2021	Qin		
D920,139	S *	5/2021	Newport-Peace	D10/47
D927,995	S *	8/2021	Deng	D10/47
D929,244	S *	8/2021	Deng	D10/47
D959,300	S *	8/2022	Zhang	D10/47
2014/0139210	A1 *	5/2014	Walsh	G01V 3/10 324/239
2014/0218036	A1 *	8/2014	Fry	G01V 3/165 324/329

(Continued)

DESCRIPTION

FIG. 1 is a front and top perspective view of a control box of metal detector, showing my new design; FIG. 2 is a rear and bottom perspective view thereof; FIG. 3 is a front elevation view thereof; FIG. 4 is a rear elevation view thereof; FIG. 5 is a left side elevation view thereof; FIG. 6 is a right side elevation view thereof; FIG. 7 is a top plan view thereof; and, FIG. 8 is a bottom plan view thereof. The broken lines in the figures illustrate portions of the control box of metal detector that form no part of the claimed design.

1 Claim, 8 Drawing Sheets



(56)

References Cited

U.S. PATENT DOCUMENTS

2022/0206179 A1* 6/2022 Gall F16B 7/14

FOREIGN PATENT DOCUMENTS

CN	307520806	*	4/2022
CN	008734446-0001	*	10/2022
EM	008798466-0001	*	12/2021
EM	009097488-0002	*	7/2022

OTHER PUBLICATIONS

Garrett, AT Max Waterproof Metal Detector, Date first available Dec. 15, 2018, [online]retrieved Sep. 13, 2022, available from https://www.amazon.com/Garrett-Waterproof-Headphones-Pro-Pointer-Pinpointer/dp/B07GT9GH14/ref=psdc_554036_t2_B08HFKYVZR (Year: 2018).*

Garrett, Ace 300 Metal Detector, Date first available Apr. 17, 2021, [online]retrieved Sep. 13, 2022, available from https://www.amazon.com/Garrett-Ace-300-Metal-Detector/dp/B07BR1L7SR/ref=sr_1_6?c=ts&keywords=Metal+Detectors&qid=16630986738&s=lawn-garden&sr=1-6&ts_id=554036 (Year: 2021).*

* cited by examiner

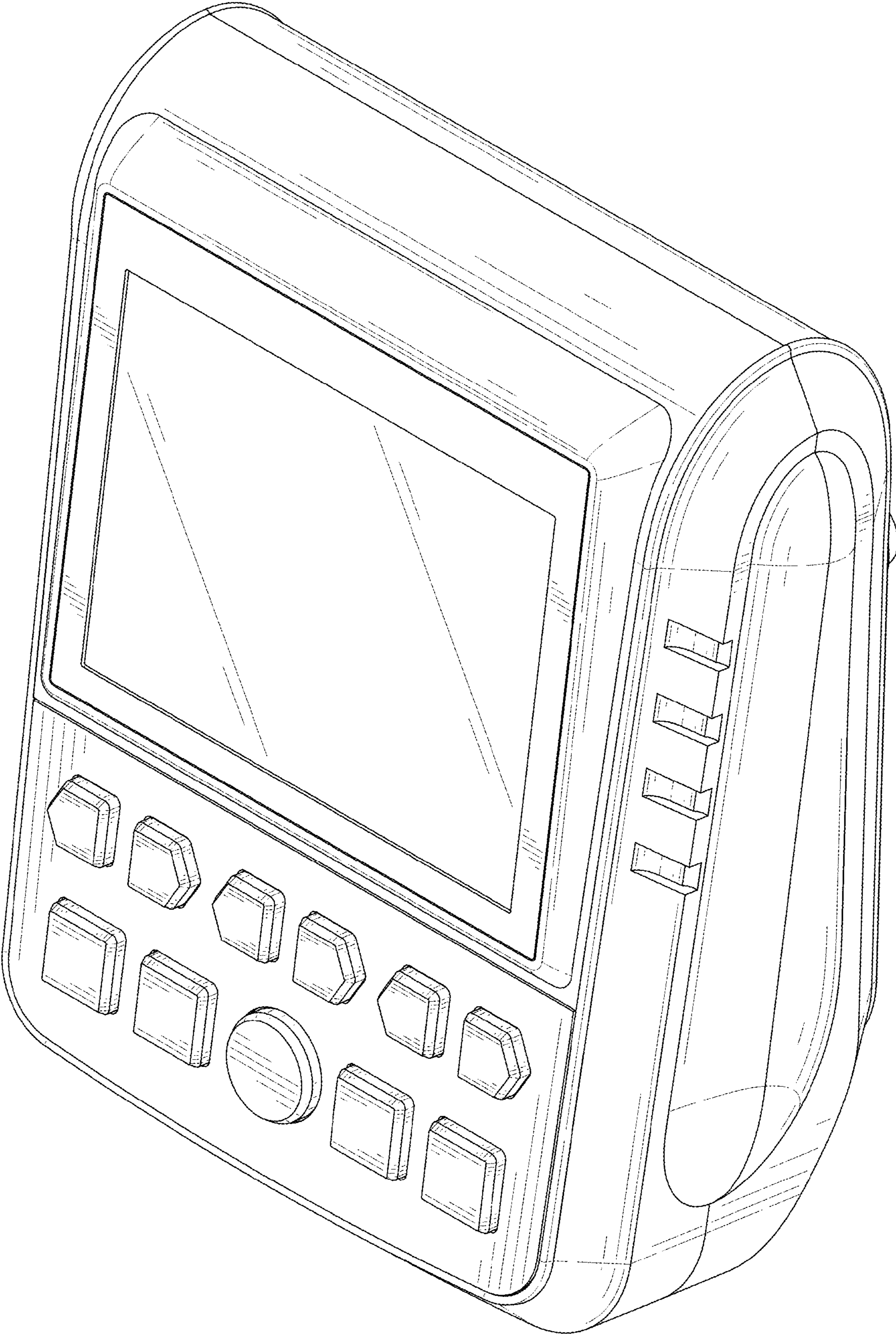


FIG. 1

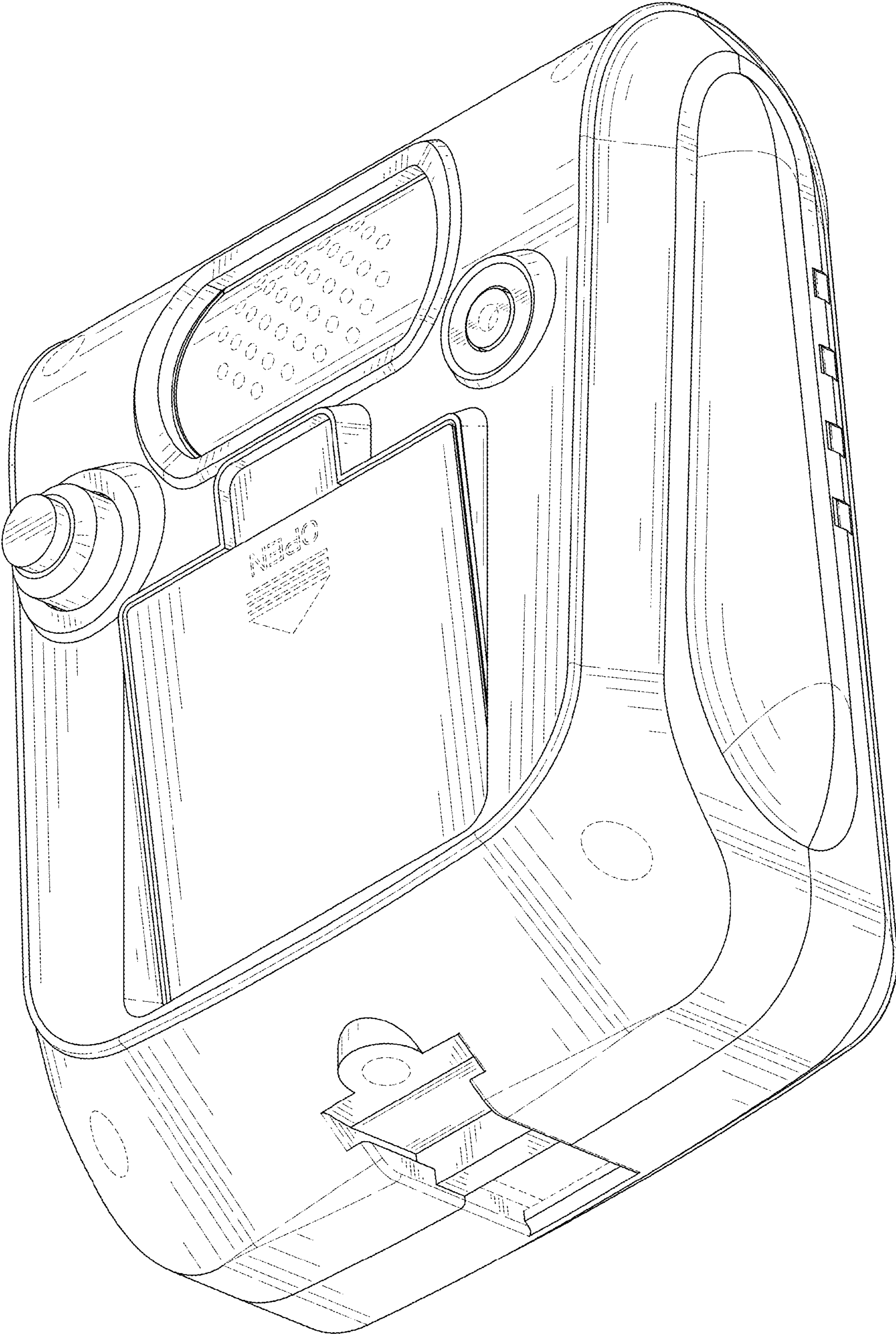


FIG. 2

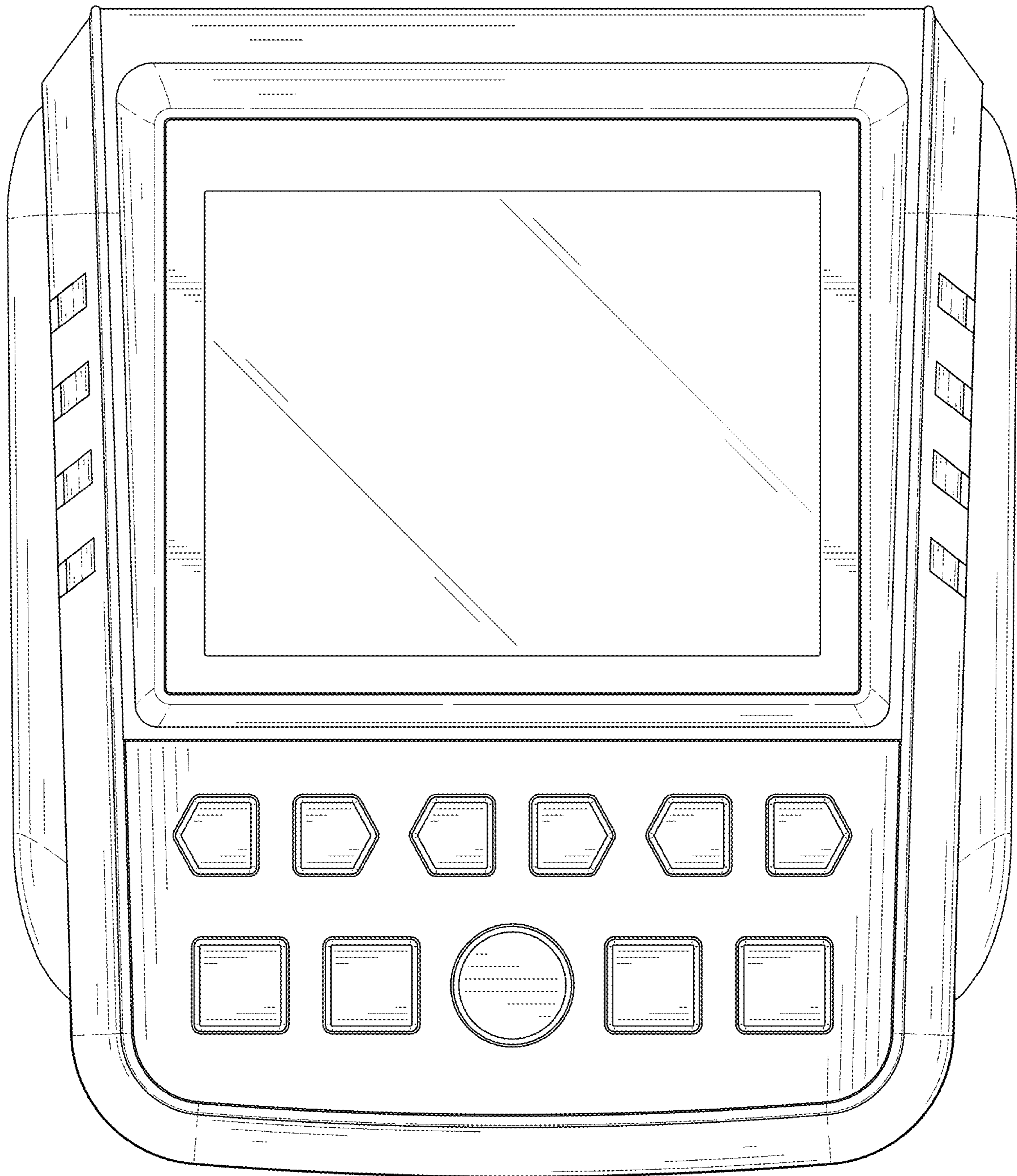


FIG. 3

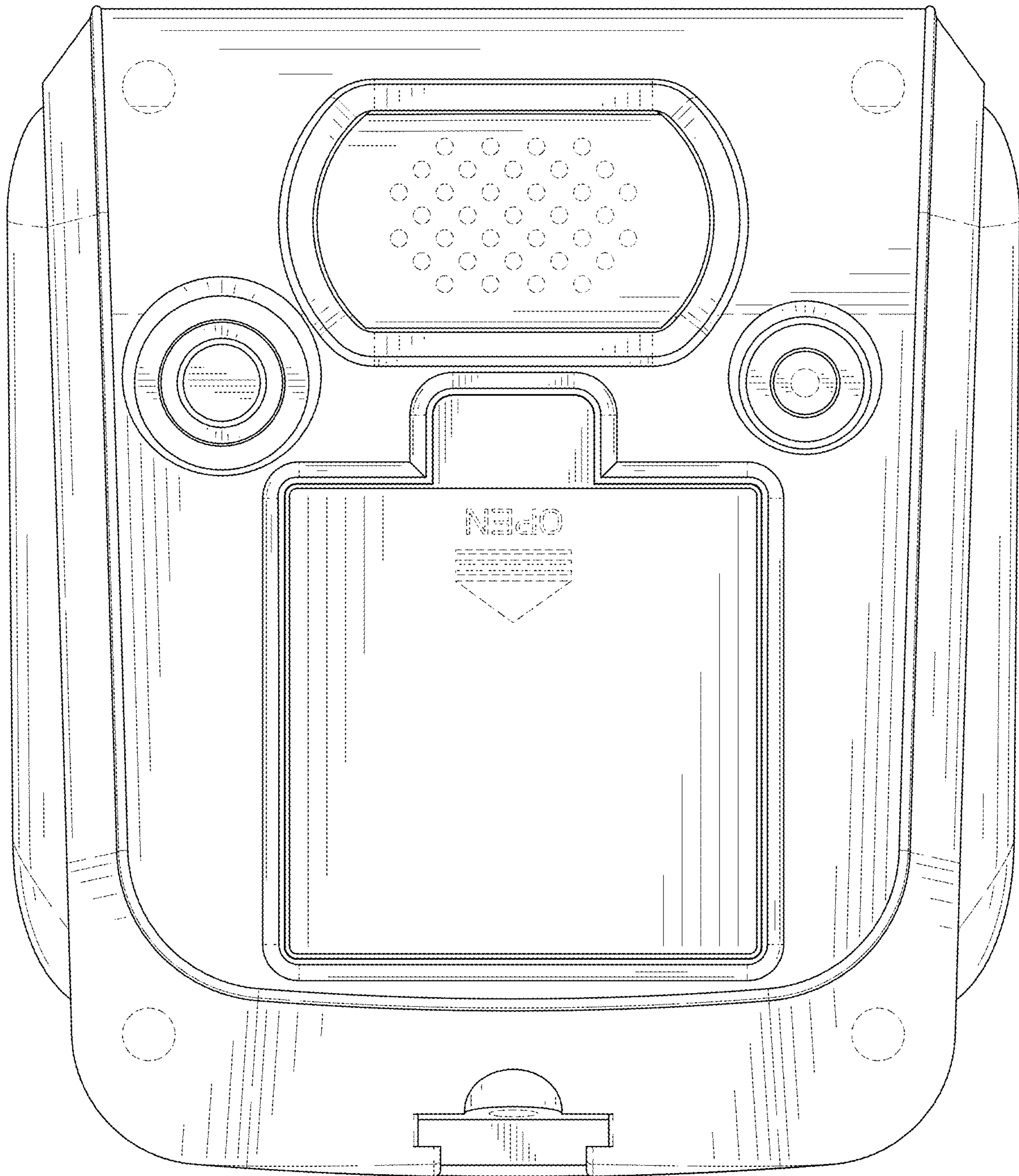


FIG. 4

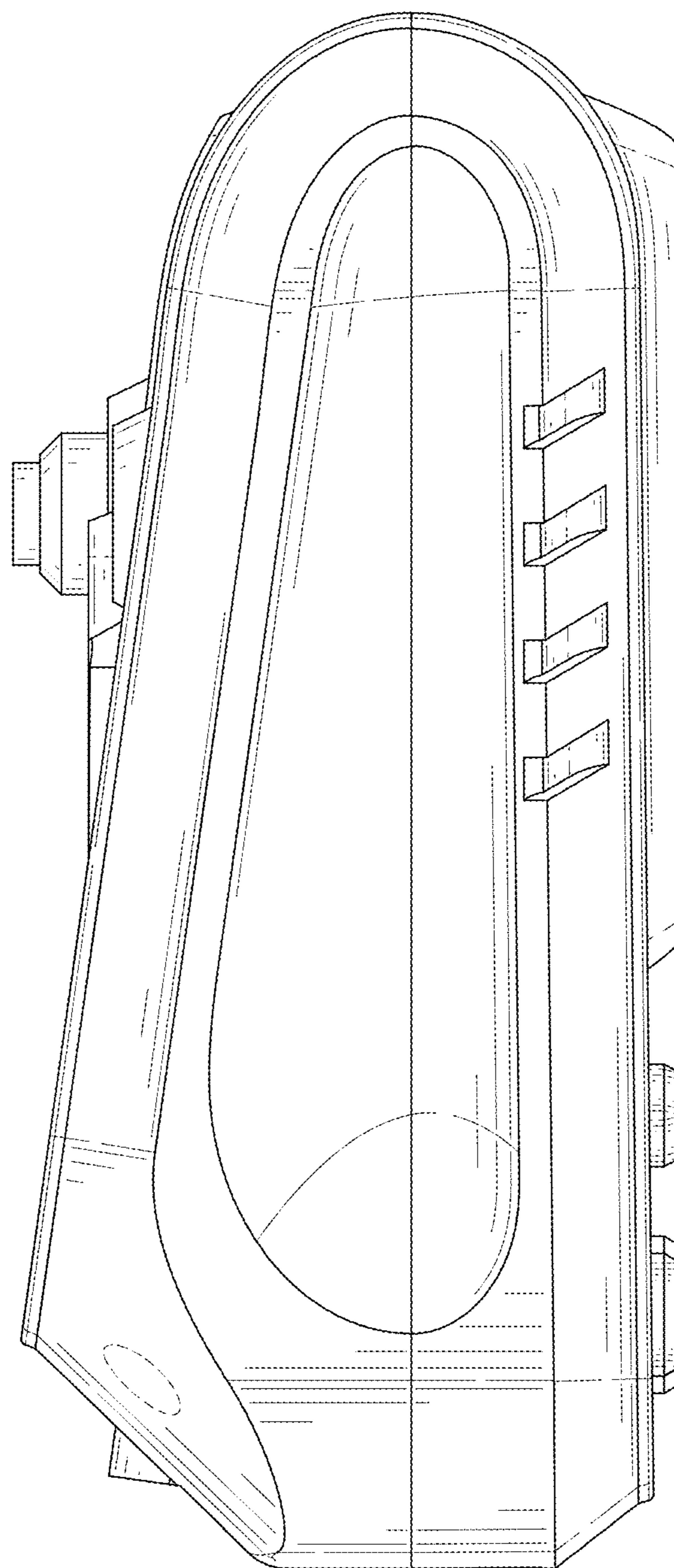


FIG. 5

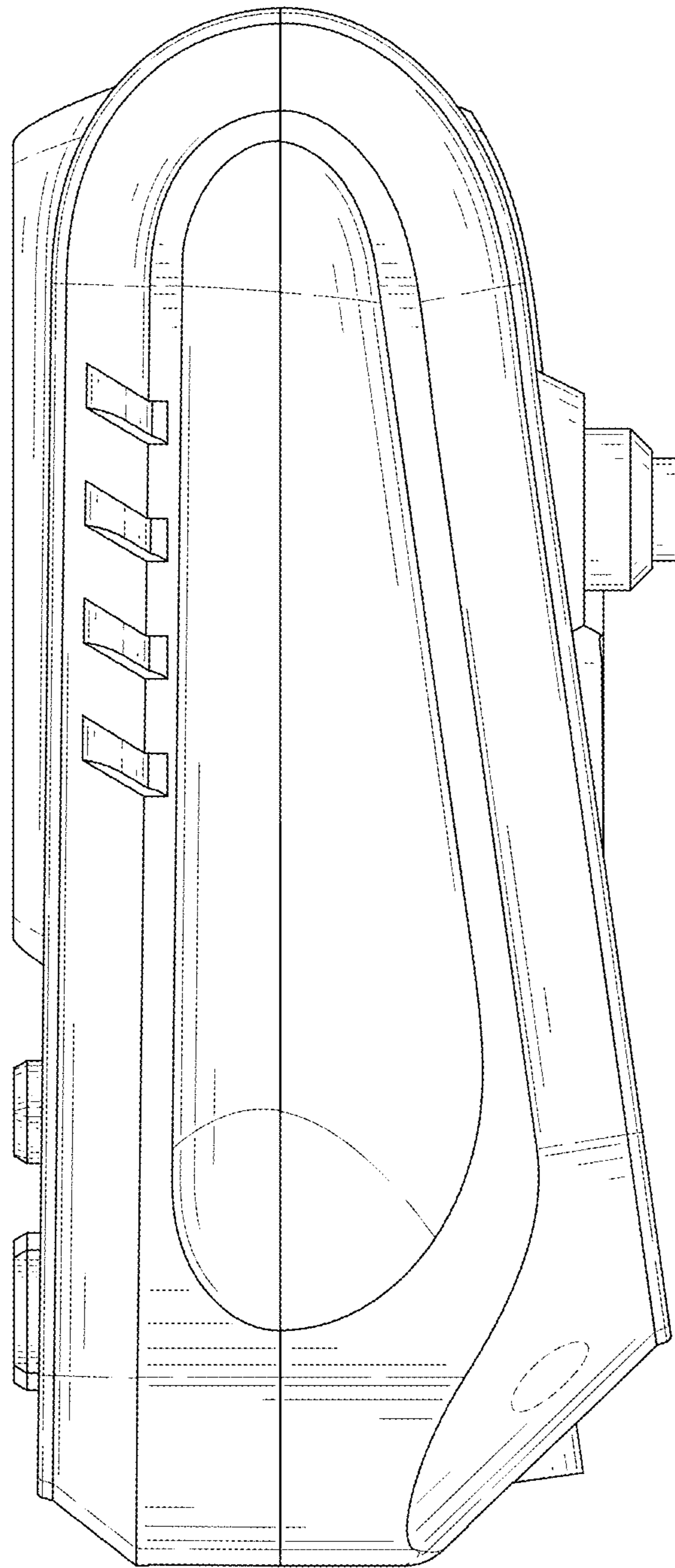


FIG. 6

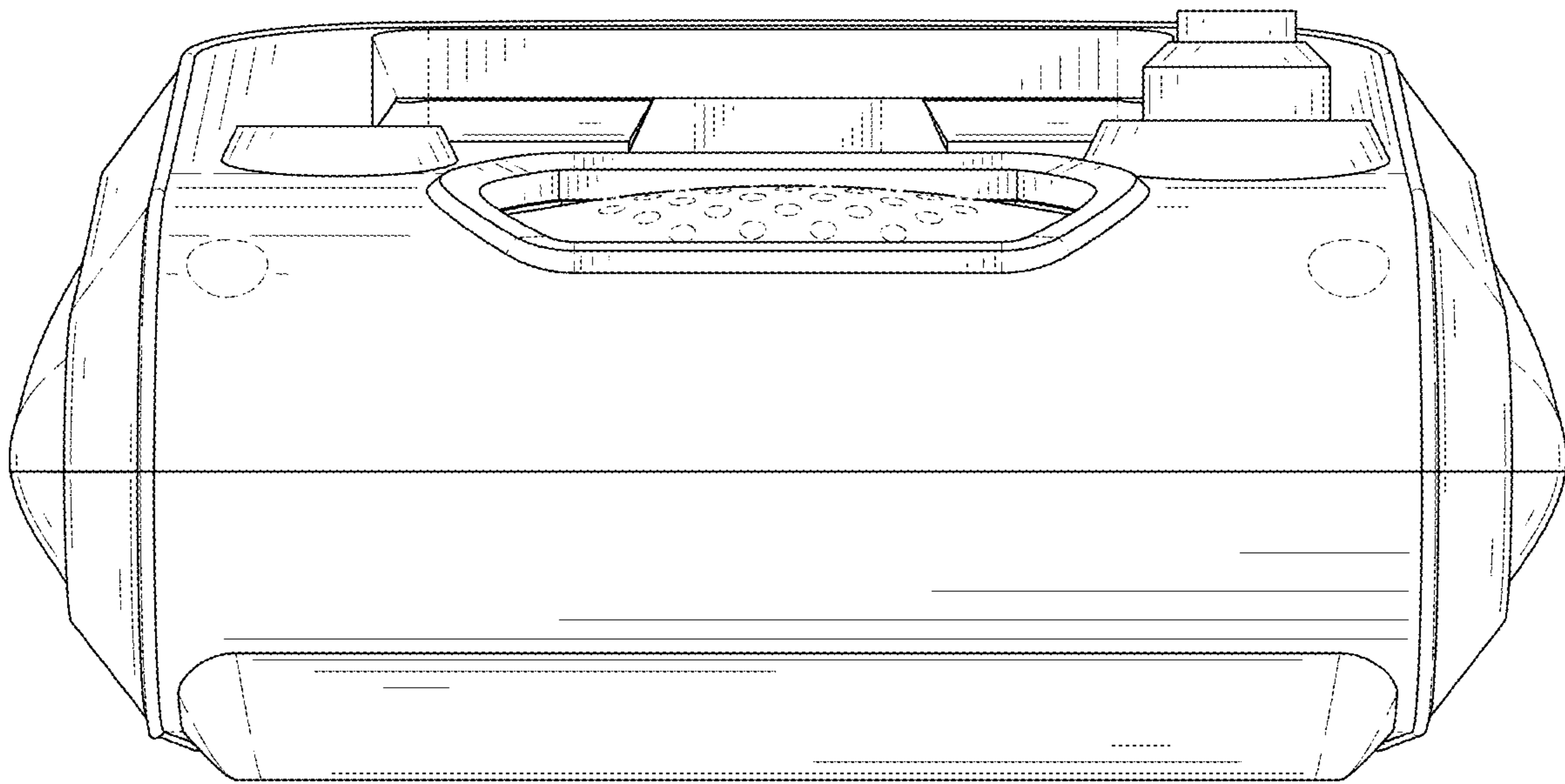


FIG. 7

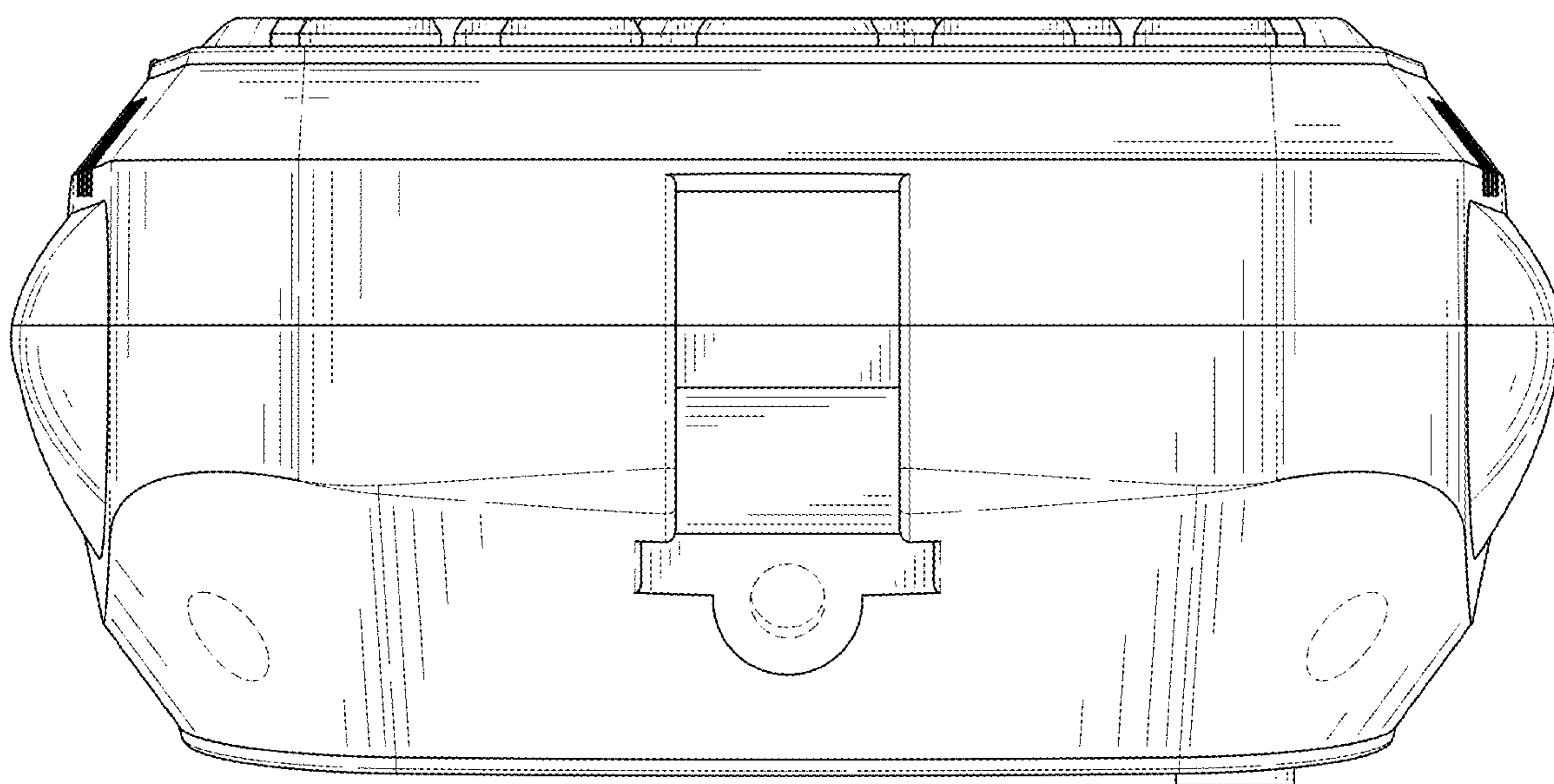


FIG. 8