



US00D971745S

(12) **United States Design Patent**  
**Francavilla**

(10) **Patent No.:** **US D971,745 S**  
(45) **Date of Patent:** **\*\* Dec. 6, 2022**

(54) **DISPENSER**  
(71) Applicant: **Lucas Packaging Group, Inc.**, Sussex,  
NJ (US)  
(72) Inventor: **Frank Francavilla**, Sussex, NJ (US)  
(73) Assignee: **Lucas Packaging Group, Inc.**, Sussex,  
NJ (US)

5,526,960 A \* 6/1996 Breidenbach ..... A45D 34/041  
222/325  
D406,054 S \* 2/1999 Wagner ..... D9/725  
7,497,635 B1 \* 3/2009 Bae ..... A61H 7/003  
401/188 R  
D652,682 S \* 1/2012 Eyal ..... D7/510  
D737,149 S \* 8/2015 Son ..... D9/503

(Continued)

(\*\*) Term: **15 Years**

(21) Appl. No.: **29/772,351**

(22) Filed: **Mar. 1, 2021**

(51) **LOC (13) Cl.** ..... **09-01**

(52) **U.S. Cl.**  
USPC ..... **D9/727**

(58) **Field of Classification Search**  
USPC ..... D9/452, 453, 500, 501, 502, 503, 504,  
D9/505, 516, 520, 523, 529, 544, 545,  
D9/546, 547, 549, 550, 554, 556, 558,  
D9/563, 575, 685, 686, 714, 727, 738;  
D28/4, 7, 73, 76, 77, 78, 79, 82, 84, 85,  
D28/86, 87, 88, 91.1, 99  
CPC ..... A45D 19/02; A45D 2034/002; A45D  
2034/007; A45D 2200/054; A45D  
2200/056; A45D 2200/057; A45D 34/00;  
A45D 34/02; A45D 33/12; A45D 34/04;  
A45D 34/041; A45D 40/26; A47K  
5/1201; A61H 7/003; A61K 8/00; A61K  
35/644; A61M 11/006; A61M 11/08;  
B05B 11/00; B65D 1/00; B65D 1/02;  
B65D 1/0223; B65D 1/023; B65D  
1/0246; B65D 1/0261; B65D 39/0035;  
B65D 39/0047; B65D 83/14; Y10S  
215/00; Y10S 264/918

See application file for complete search history.

(56) **References Cited**

**U.S. PATENT DOCUMENTS**

D281,054 S \* 10/1985 Menrad ..... D28/91.1  
D299,973 S \* 2/1989 Campello ..... D28/7

**OTHER PUBLICATIONS**

Pacifica Beauty Roll-On Perfume, posted at Amazon.co.uk on Mar. 5, 2014, [site visited Jun. 2, 2022]. Available from internet, URL: <<https://www.amazon.co.uk/Pacifica-Perfume-Tuscan-Blood-Orange/dp/B003YCARQ8/>> (Year: 2014).\*

(Continued)

*Primary Examiner* — Andrew Kerr  
*Assistant Examiner* — Chariton Alexakis  
(74) *Attorney, Agent, or Firm* — Kevin Schraven; Anooj Patel; Hankin Patent Law, APC

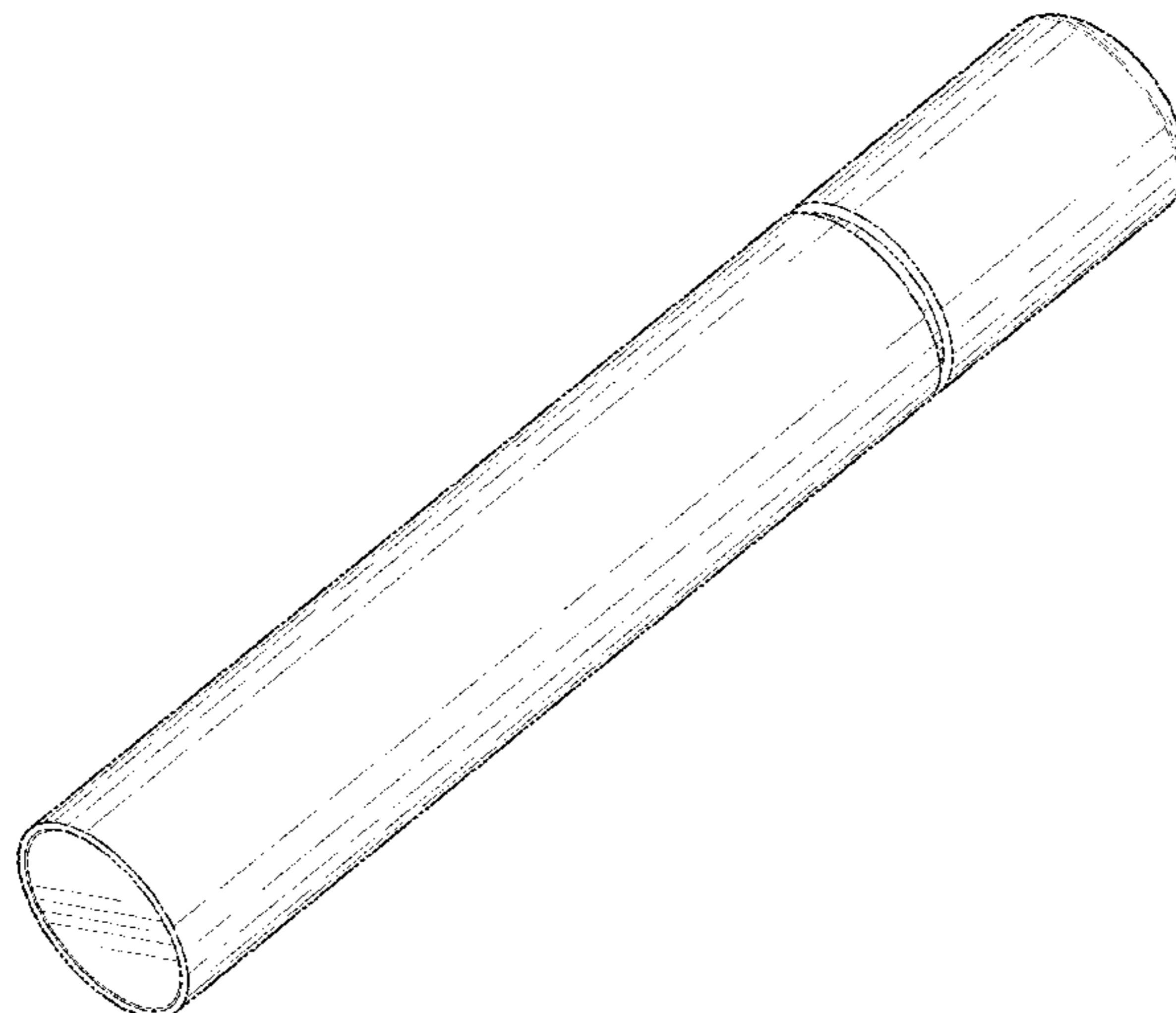
(57) **CLAIM**

The ornamental design for a dispenser, as shown and described.

**DESCRIPTION**

FIG. 1 is a top perspective view of a dispenser, showing my new design.  
FIG. 2 is a bottom perspective view thereof.  
FIG. 3 is a front elevational view thereof.  
FIG. 4 is a rear elevational view thereof.  
FIG. 5 is a left side elevational view thereof.  
FIG. 6 is a right side elevational view thereof.  
FIG. 7 is a top plan view thereof;  
FIG. 8 is a bottom plan view thereof; and,  
FIG. 9 is an exploded front perspective view thereof.  
The broken lines in the drawings depict portions of the dispenser that form no part of the claimed design.

**1 Claim, 9 Drawing Sheets**



(56)

**References Cited**

U.S. PATENT DOCUMENTS

9,205,042 B1 \* 12/2015 Heiman ..... A61K 35/644  
D750,834 S \* 3/2016 Wei ..... D27/101  
D819,894 S \* 6/2018 Sung ..... D9/504  
D827,816 S \* 9/2018 Newman ..... D24/125  
D871,844 S \* 1/2020 Adams, Jr. .... A61K 35/644  
D7/532  
D907,502 S \* 1/2021 Kilduff ..... A61H 7/003  
D9/504  
D944,094 S \* 2/2022 Shourie ..... A45D 40/26  
D9/684  
2021/0076796 A1 \* 3/2021 Hong ..... A45D 40/26  
2021/0368962 A1 \* 12/2021 Lee ..... B05B 11/00

OTHER PUBLICATIONS

Perfume Atomizer, posted at Amazon.co.uk on Aug. 2, 2018, [site visited Jun. 2, 2022]. Available from internet, URL: <<https://www.amazon.co.uk/Atomiser-Refillable-Portable-Aftershave-Fragrance/dp/B07G5DLQ5J/>> (Year: 2018).\*

\* cited by examiner

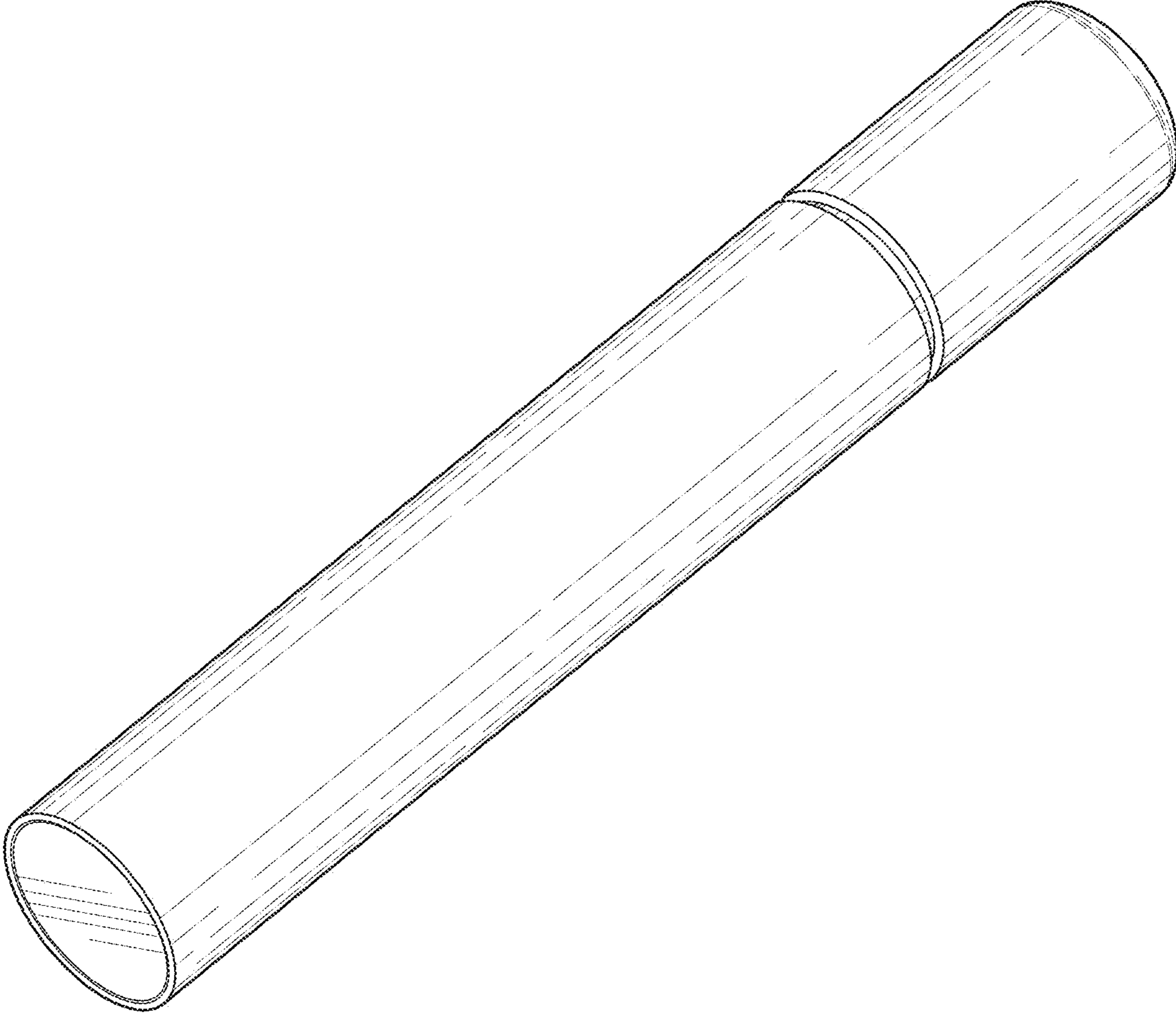


Fig. 1

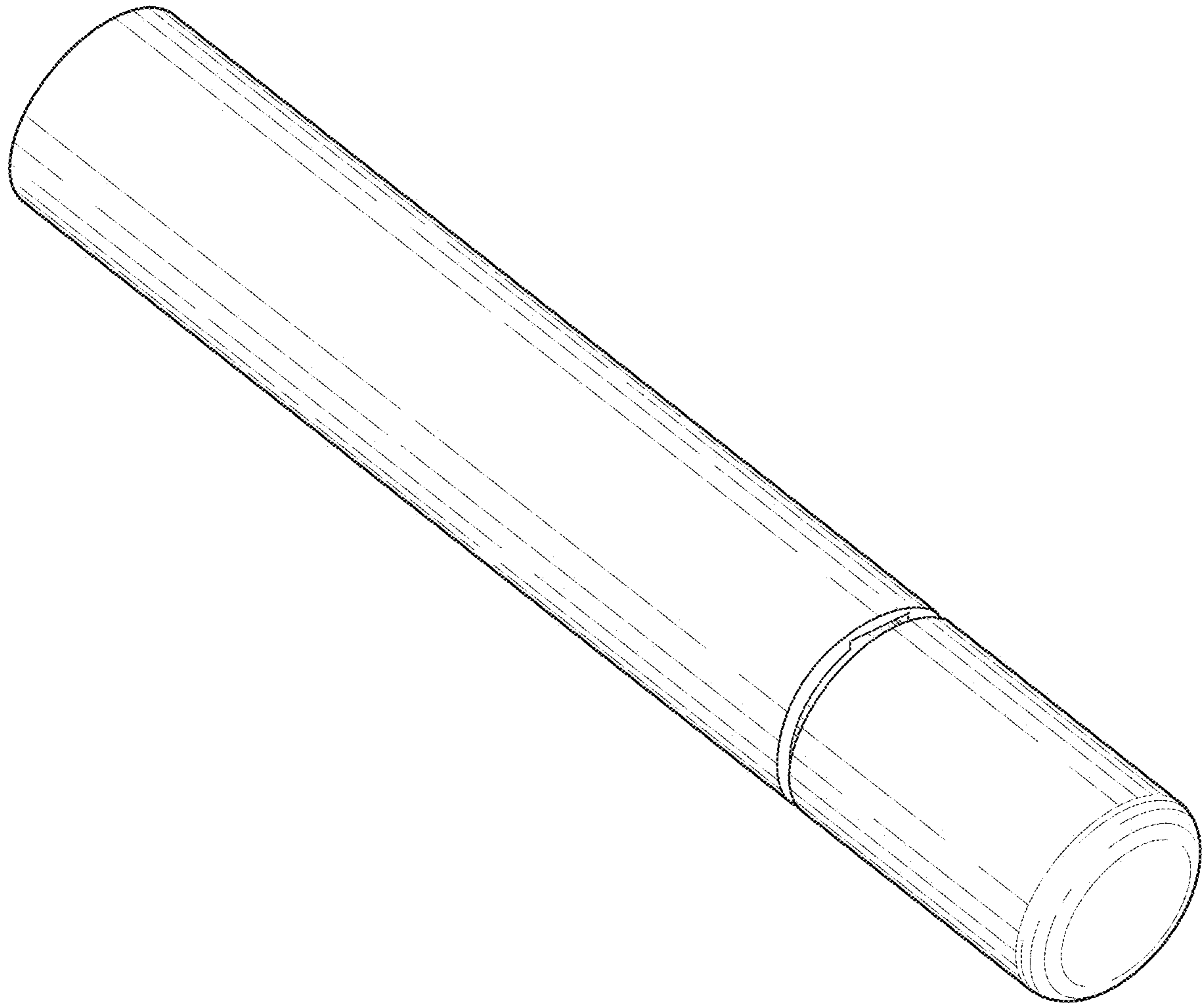


Fig.2

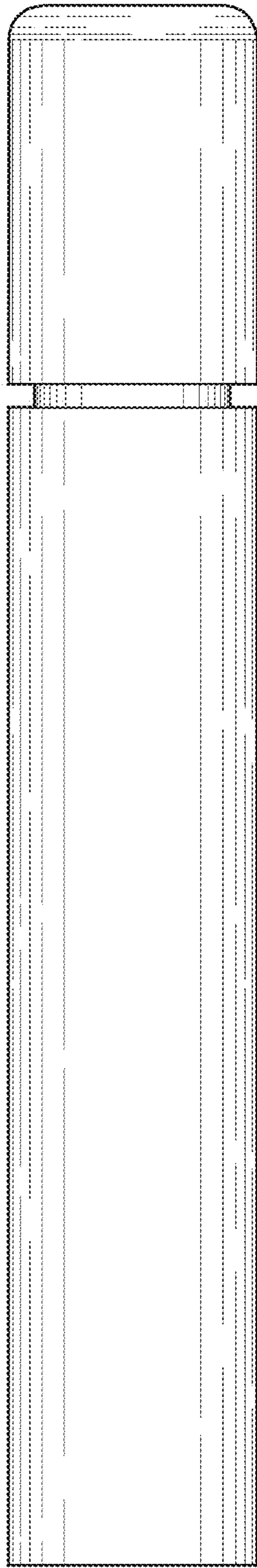


Fig.3

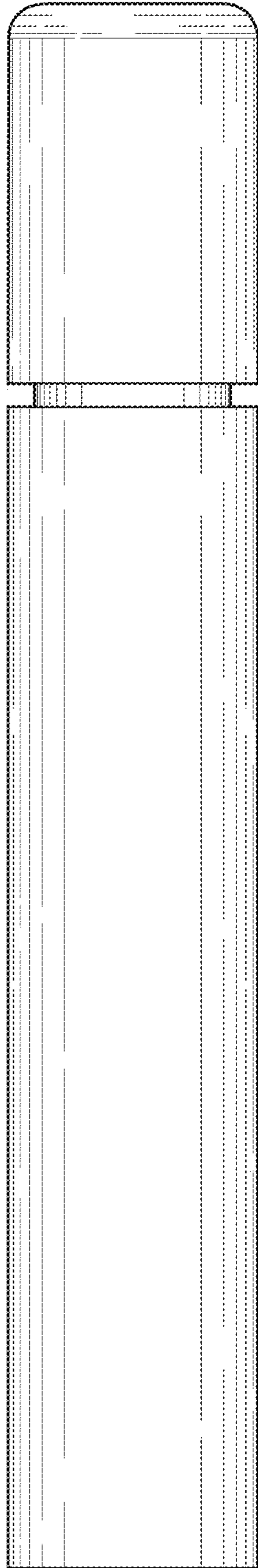


Fig.4

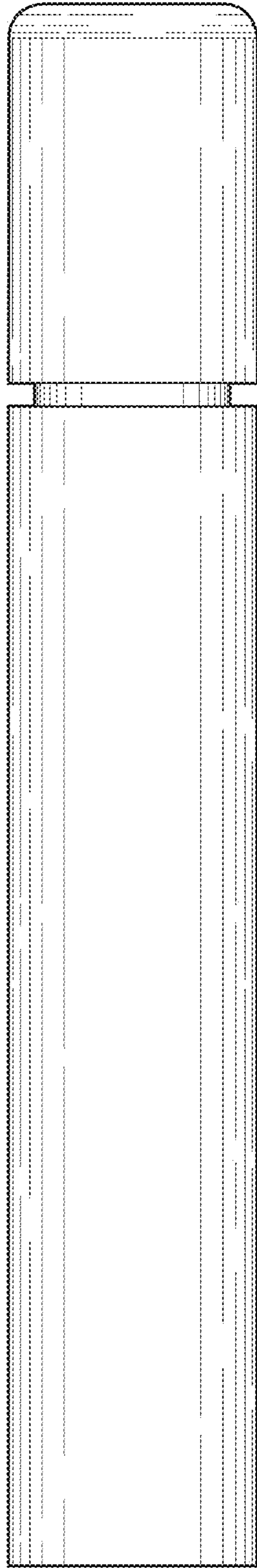


Fig.5

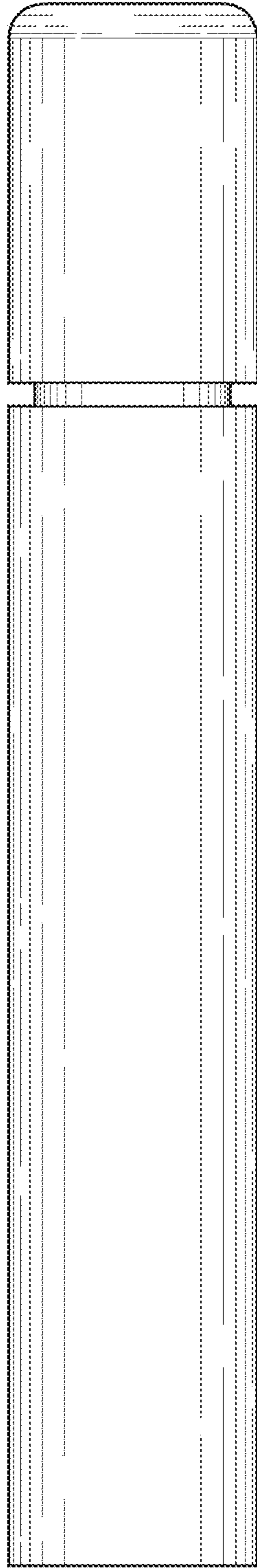


Fig.6



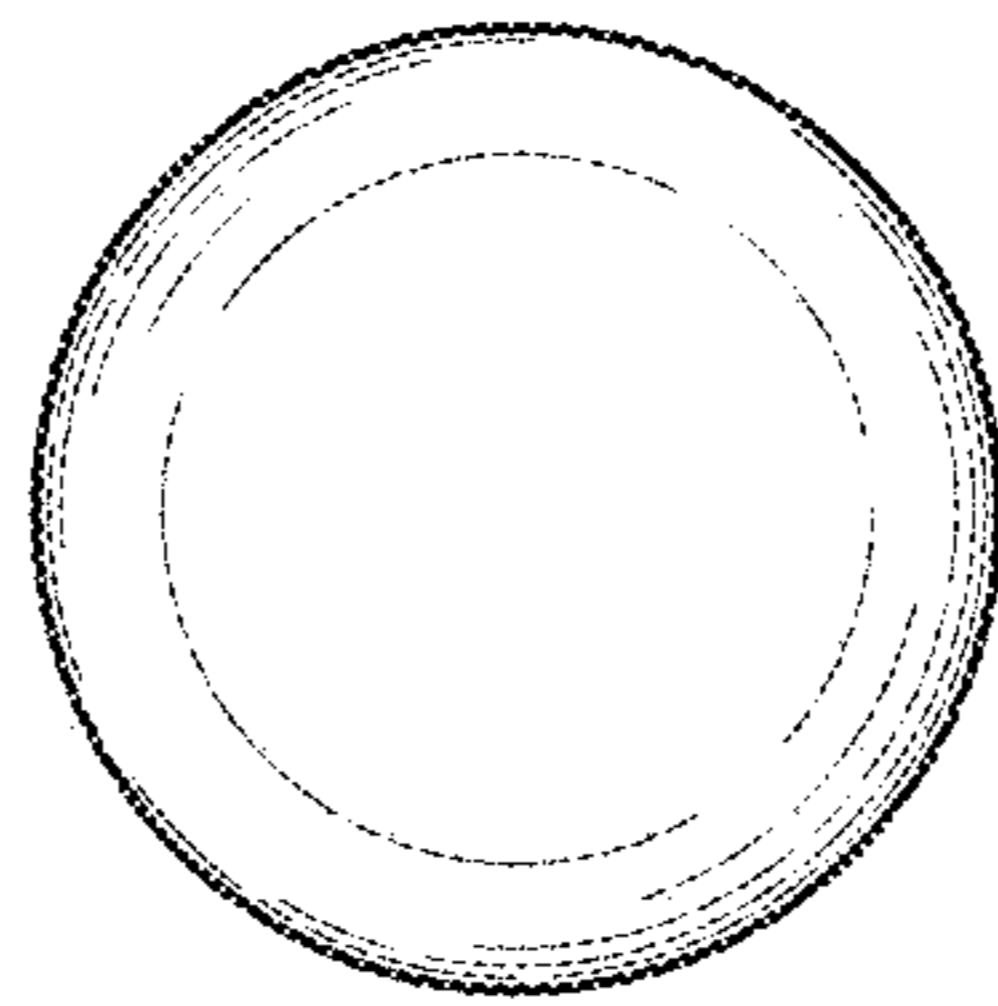


Fig. 7

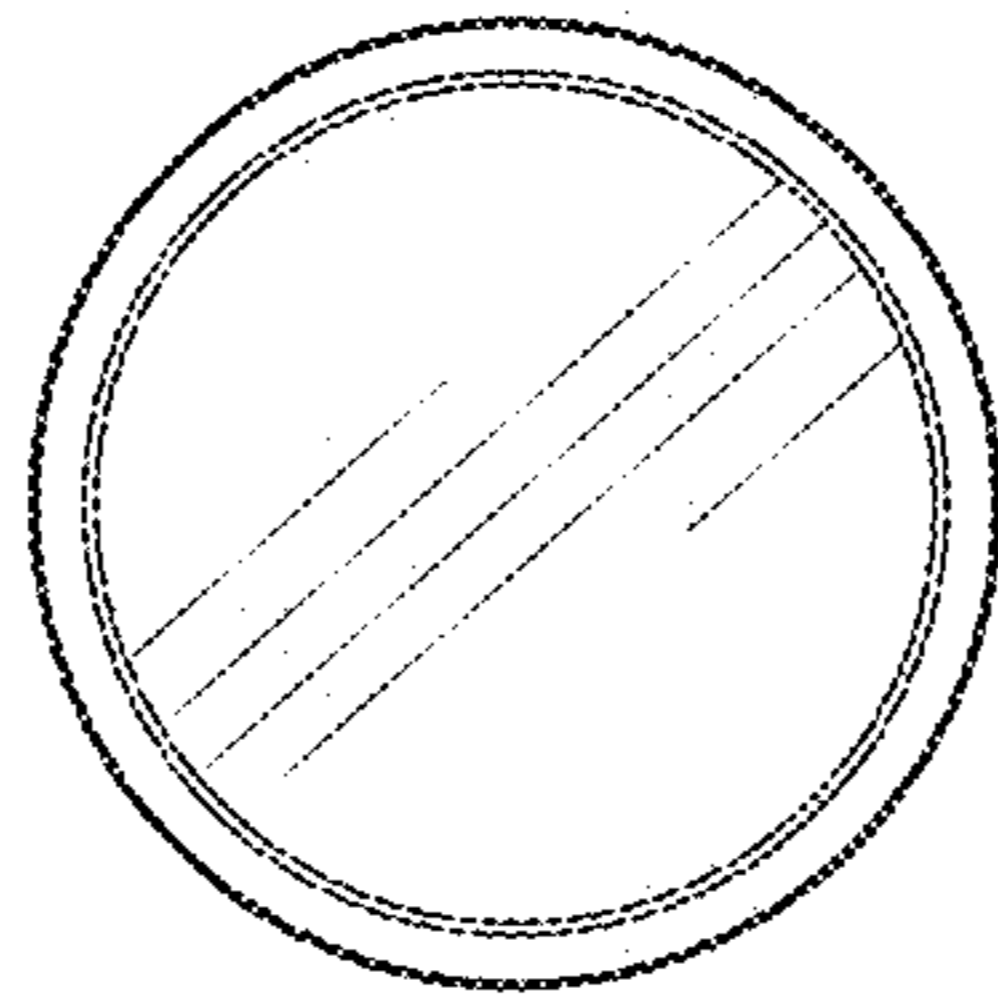


Fig.8

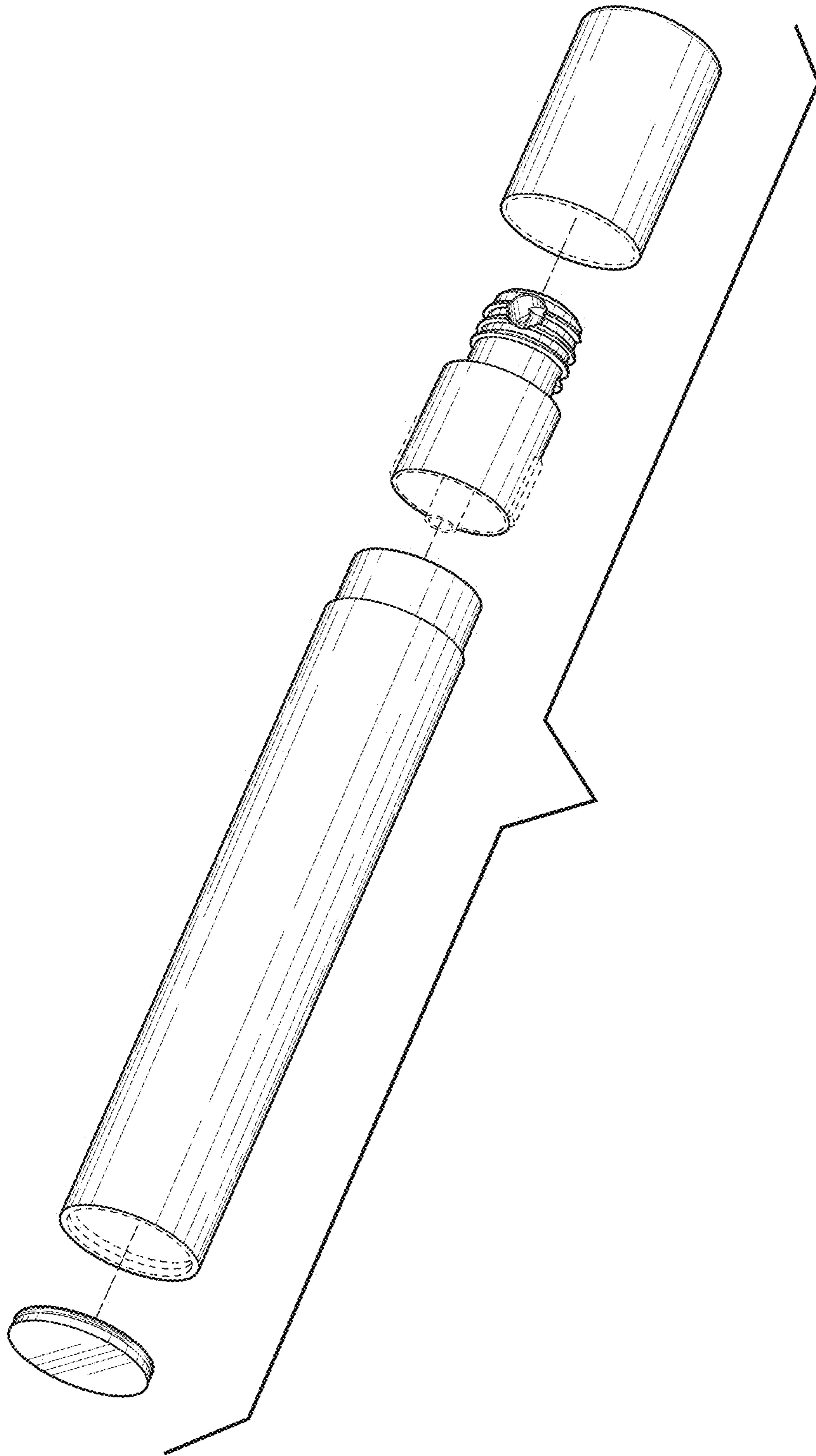


Fig.9