



US00D971742S

(12) **United States Design Patent** (10) **Patent No.:** **US D971,742 S**  
**Kurtin et al.** (45) **Date of Patent:** **\*\* \*Dec. 6, 2022**

(54) **STORAGE BAG**

(71) Applicants: **Roger Thomas Kurtin**, Houston, TX (US); **Diana Ya-Wen Wang**, Houston, TX (US)

(72) Inventors: **Roger Thomas Kurtin**, Houston, TX (US); **Diana Ya-Wen Wang**, Houston, TX (US)

(\*) Notice: This patent is subject to a terminal disclaimer.

(\*\*) Term: **15 Years**

(21) Appl. No.: **29/748,881**

(22) Filed: **Sep. 1, 2020**

(51) **LOC (13) Cl.** ..... **09-05**

(52) **U.S. Cl.**  
USPC ..... **D9/703**

(58) **Field of Classification Search**

USPC ..... D9/702-714, 719, 738-740, 517-518, D9/522, 416, 435, 444, 460, 455, 414, D9/499, 431-432; D7/560-562; 206/434, 426-427, 429-430, 485, 485.1, 206/499, 508, 431, 418-422, 588-594; 229/117.3, 185, 121, 122, 200, 207, 236, 229/87.01; 220/23.83; 150/100-118; 294/137, 152; 383/6, 10, 14, 20, 40, 33, 383/104-105, 117, 108, 120, 93, 121.1, 383/127; 428/34.3

CPC ..... B65D 33/00; B65D 33/06; B65D 33/065; B65D 33/14; B65D 33/1683; B65D 33/12; B65D 31/00; B65D 31/04; B65D 31/10; A45C 3/04; A45C 3/10

See application file for complete search history.

(56) **References Cited**

U.S. PATENT DOCUMENTS

3,185,384	A *	5/1965	Ragan .....	B65D 31/00
				383/124
D229,896	S *	1/1974	Benel .....	D9/703
D237,780	S *	11/1975	Benel .....	D9/703
D749,964	S *	2/2016	Glass .....	D9/703
D900,629	S *	11/2020	Milos .....	D9/703
D909,211	S *	2/2021	Bornmiller .....	D9/703
D925,375	S *	7/2021	Malin .....	B65D 33/02
				D9/703

\* cited by examiner

*Primary Examiner* — Abraham Bahta

(74) *Attorney, Agent, or Firm* — Whittaker Law Firm; Malcolm E. Whittaker

(57) **CLAIM**

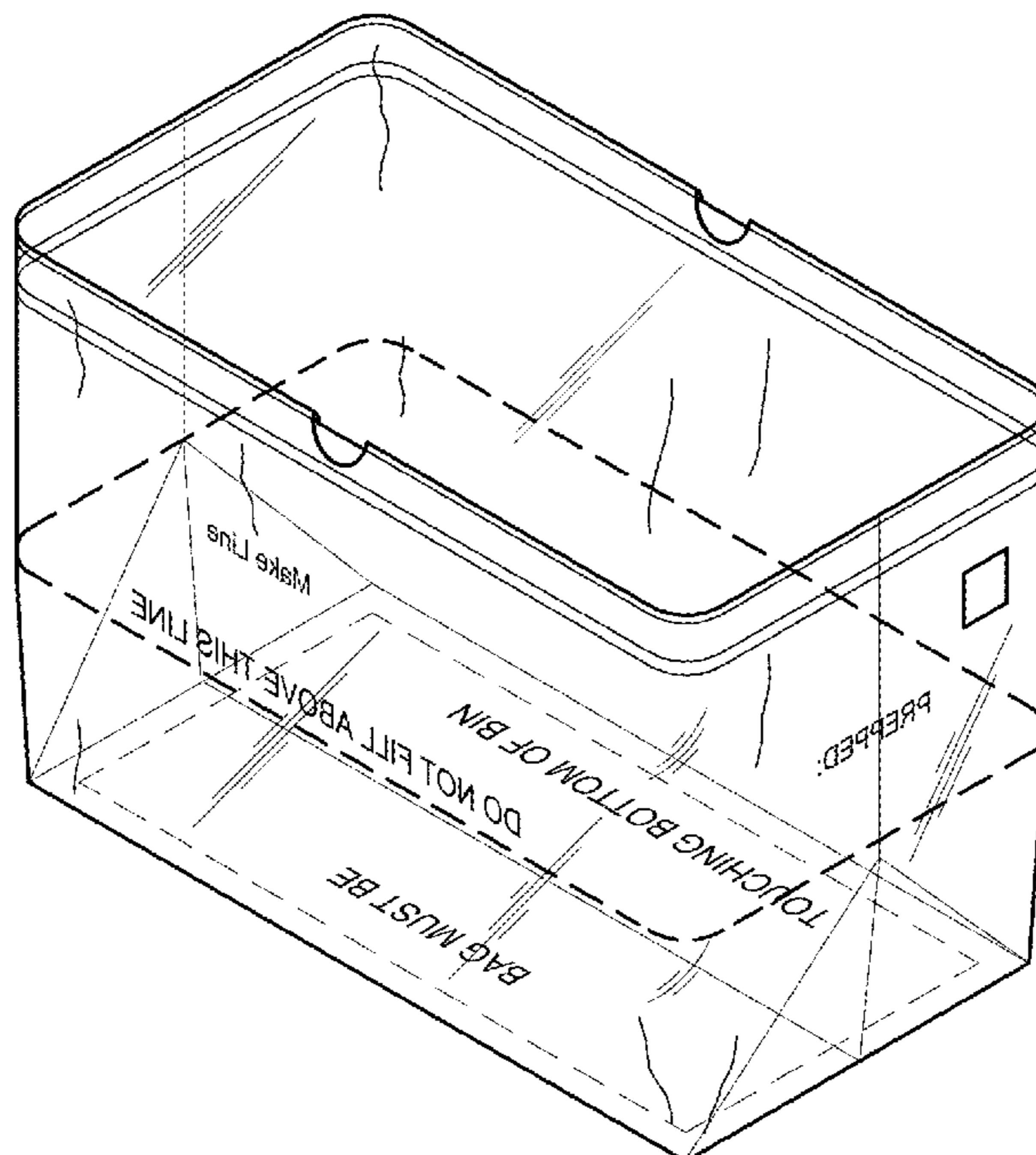
The ornamental design for a storage bag, as shown and described.

**DESCRIPTION**

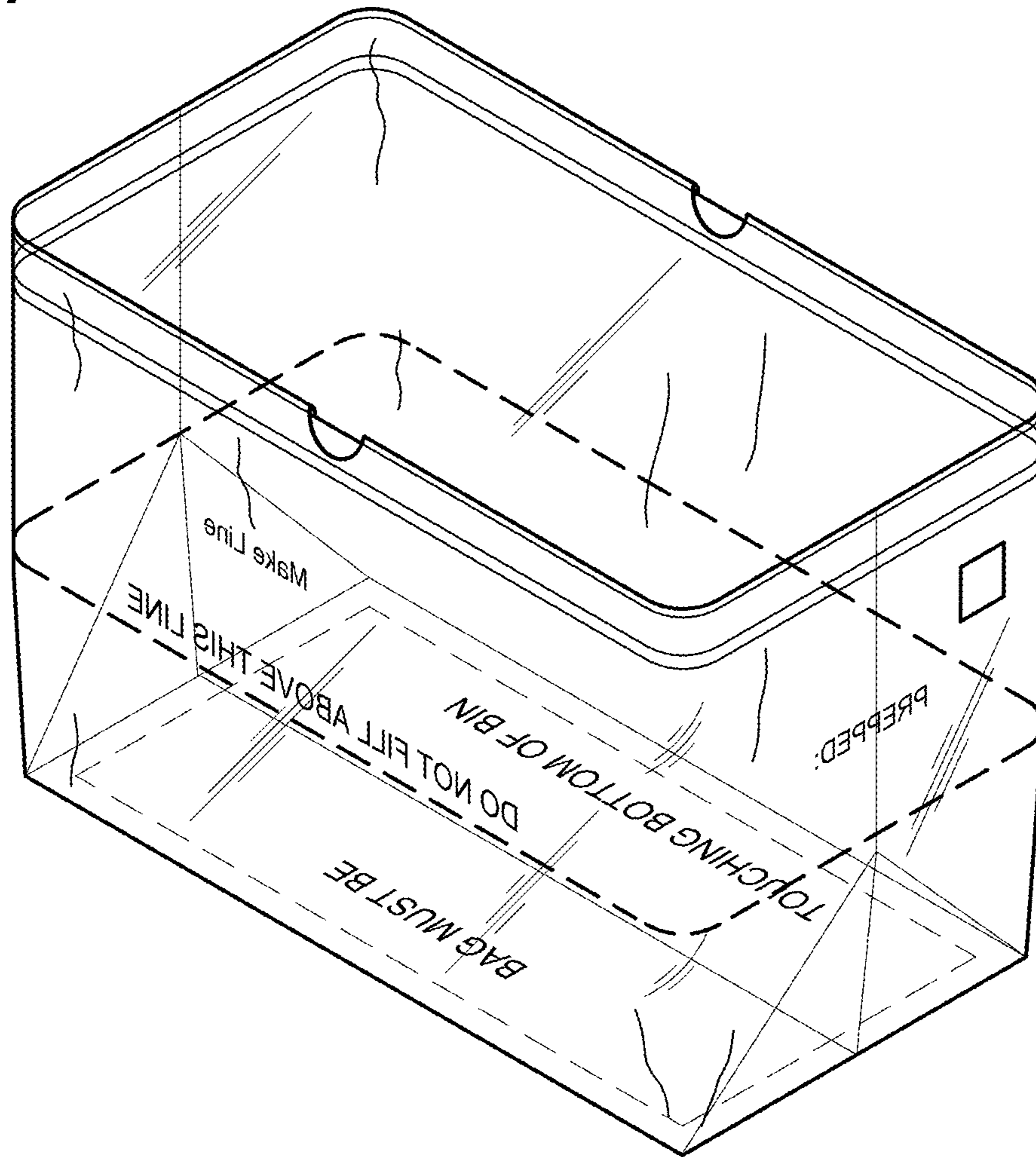
FIG. 1 is a perspective view of the storage bag showing my new design;  
 FIG. 2 is a top view thereof;  
 FIG. 3 is a right side view thereof;  
 FIG. 4 is a front view thereof;  
 FIG. 5 is a bottom view thereof;  
 FIG. 6 is a rear view thereof; and,  
 FIG. 7 is a left side view thereof.

The broken lines do not represent environmental structure and the words “DO NOT FILL ABOVE THIS LINE” and “BAG MUST BE TOUCHING BOTTOM OF BIN” are included in and are part of the claimed design.

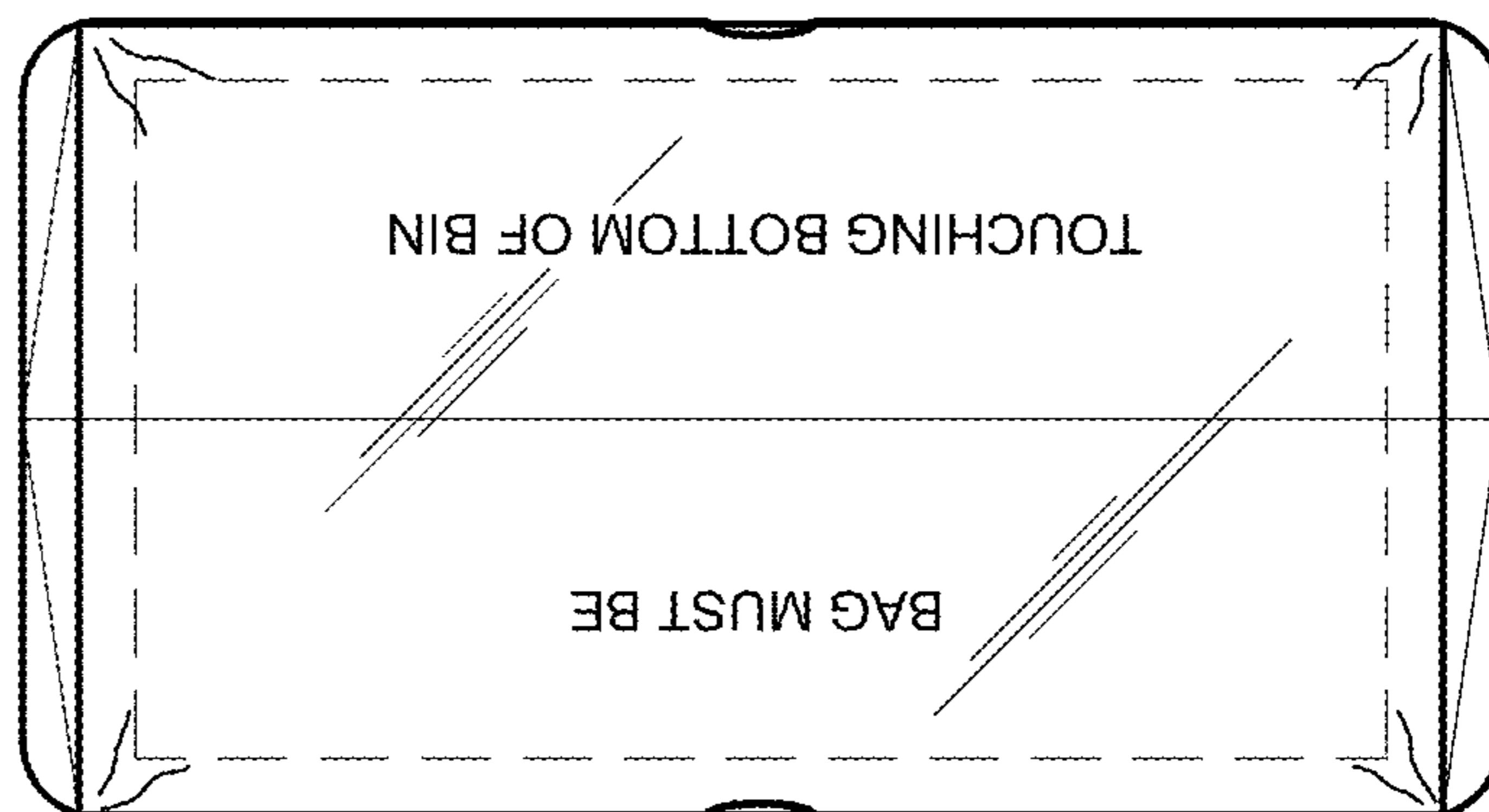
**1 Claim, 3 Drawing Sheets**



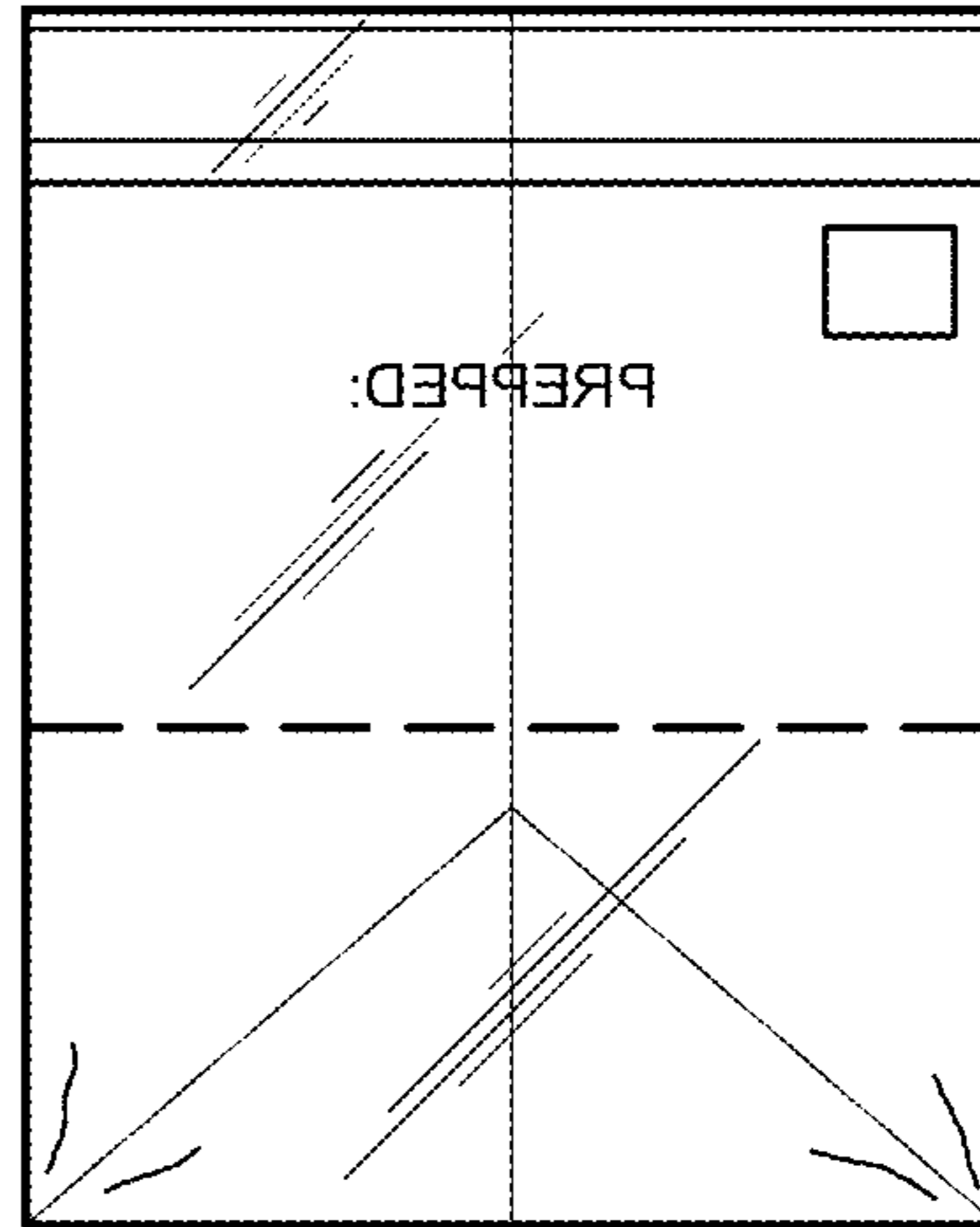
**FIG. 1**



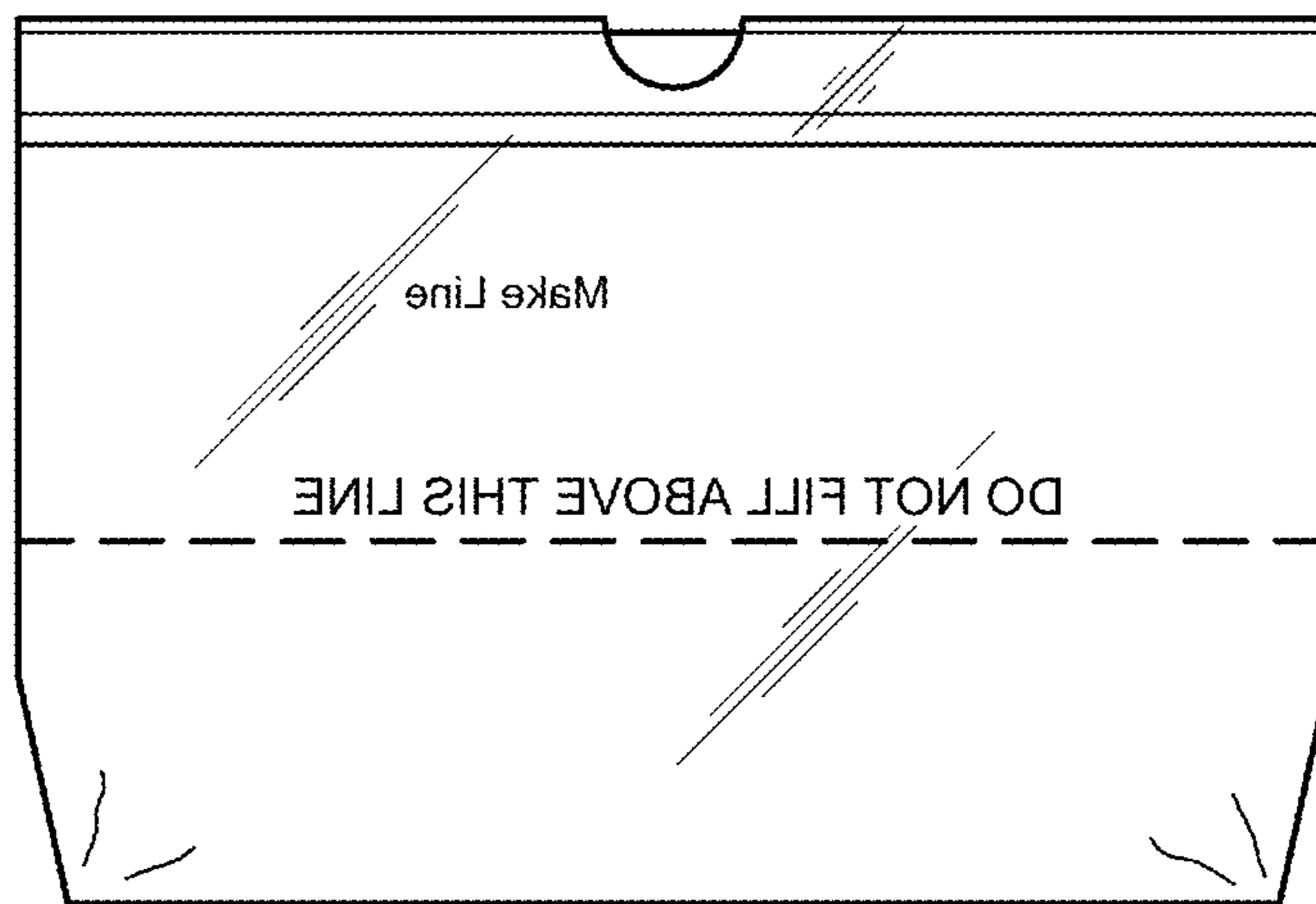
**FIG. 2**



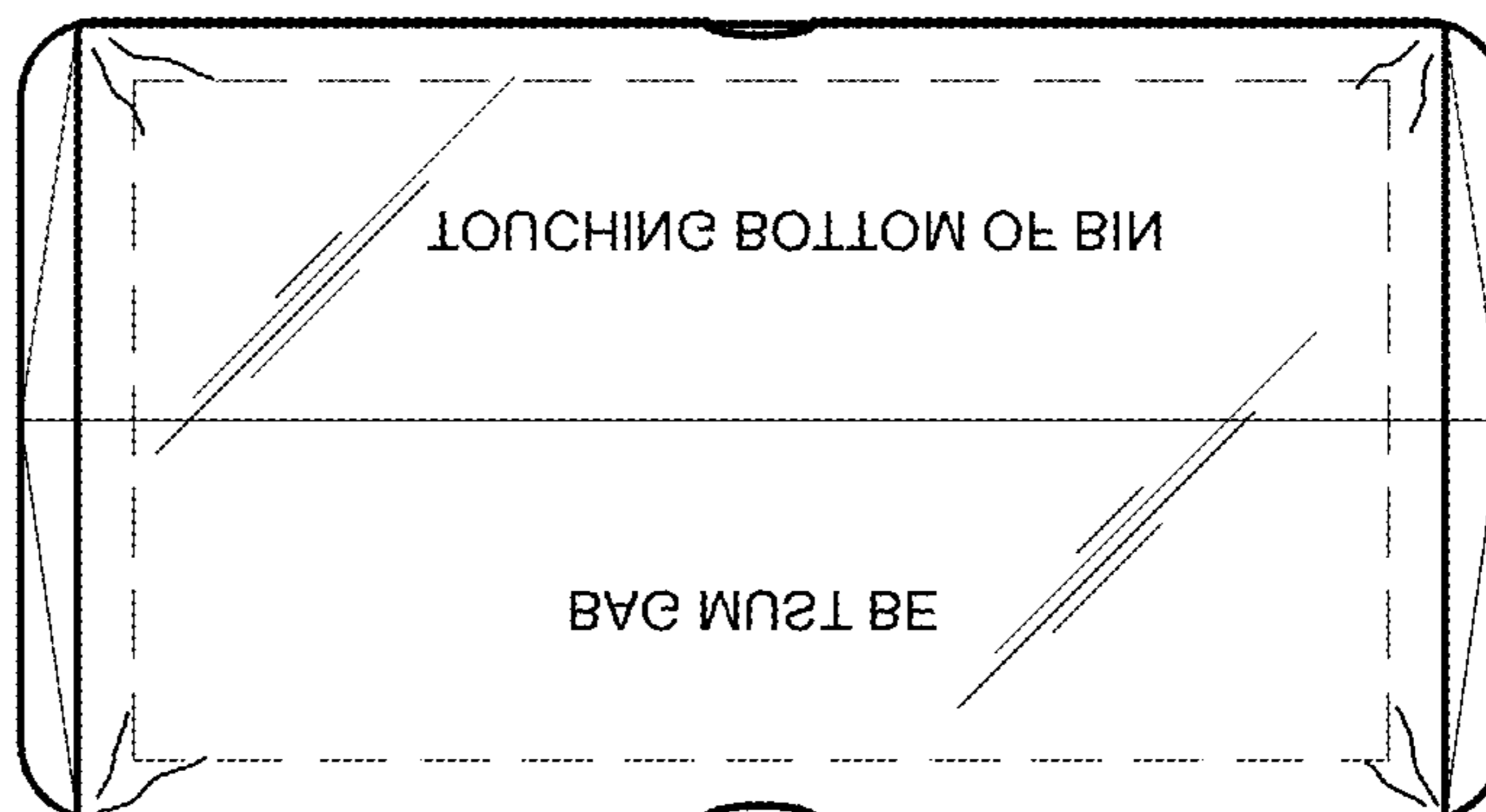
**FIG. 3**



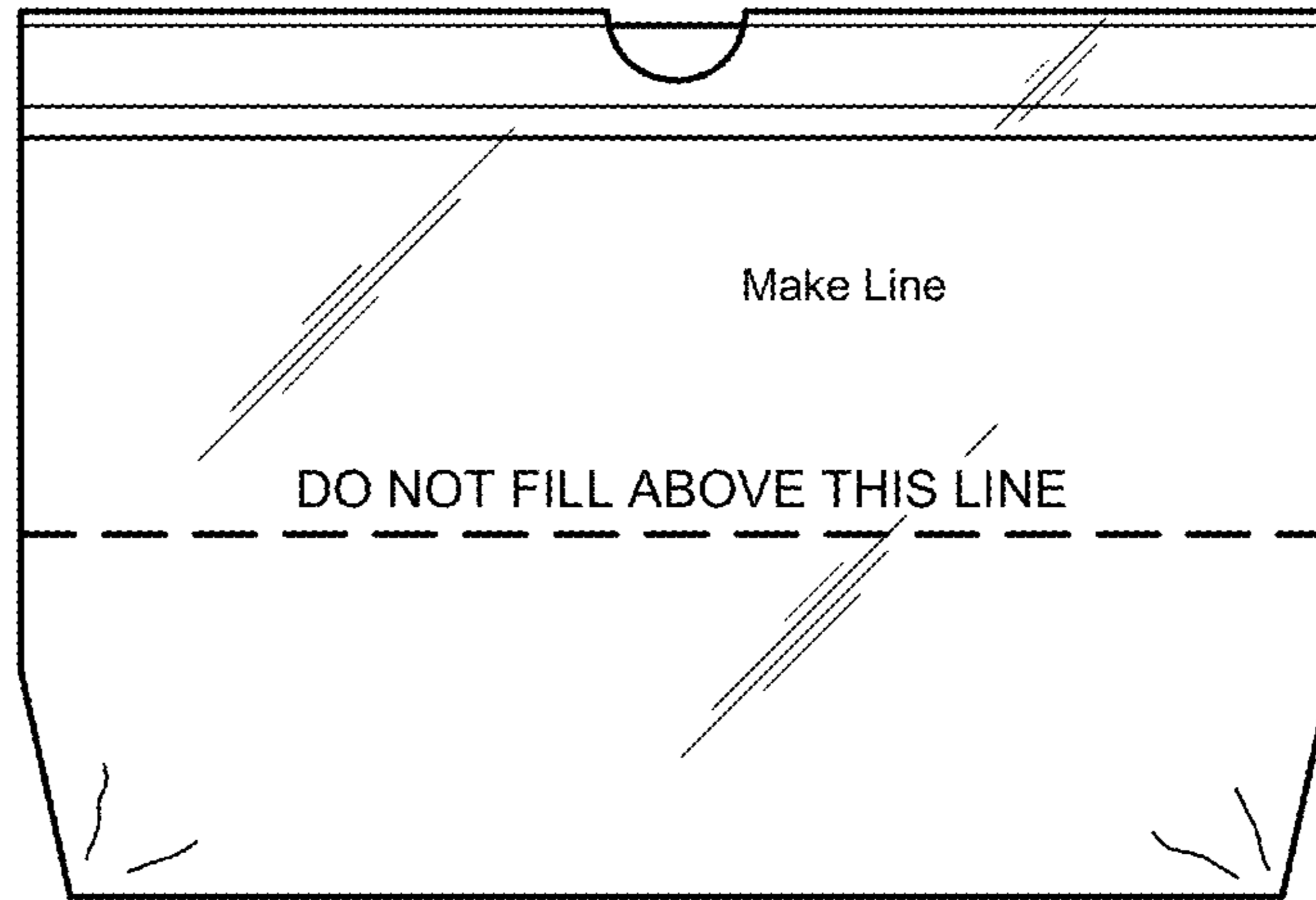
**FIG. 4**



**FIG. 5**



**FIG. 6**



**FIG. 7**

