



US00D971731S

(12) **United States Design Patent**  
**Marshall et al.**

(10) **Patent No.:** **US D971,731 S**  
(45) **Date of Patent:** **\*\* Dec. 6, 2022**

(54) **TABLE TOP SANITIZER DISPENSER  
BOTTLE BASE**

(71) Applicant: **GOJO Industries, Inc.**, Akron, OH  
(US)

(72) Inventors: **Aaron D. Marshall**, Uniontown, OH  
(US); **Shelby J. Buell**, Medina, OH  
(US)

(73) Assignee: **GOJO Industries, Inc.**, Akron, OH  
(US)

(\*\*) Term: **15 Years**

(21) Appl. No.: **29/737,552**

(22) Filed: **Jun. 10, 2020**

(51) **LOC (13) Cl.** ..... **09-01**

(52) **U.S. Cl.**  
USPC ..... **D9/455**

(58) **Field of Classification Search**

USPC ..... D9/414, 516, 454, 456, 544, 690, 430,  
D9/434, 415, 424, 425, 428, 455, 737,  
D9/739, 751-755, 756, 760; D14/489;  
D6/536, 542; D30/129, 130; D7/624.1  
CPC ..... B65D 5/42; B65D 81/24; B65D 73/00;  
B65D 2577/10; B65D 5/48038

See application file for complete search history.

(56) **References Cited**

**U.S. PATENT DOCUMENTS**

D103,562 S \* 3/1937 Cook ..... D9/455  
D103,600 S \* 3/1937 Shields, Jr. .... D9/455  
D232,564 S \* 8/1974 Kissin ..... D30/129  
4,846,429 A 7/1989 Scheurer et al.  
5,087,005 A 2/1992 Holoff et al.  
D331,538 S \* 12/1992 Fabre ..... D9/455  
5,180,132 A 1/1993 Pearson et al.  
D340,761 S \* 10/1993 Long ..... D9/455  
D345,067 S \* 3/1994 Shafer ..... D6/536  
D425,833 S \* 5/2000 Robinson ..... D9/455

D449,137 S \* 10/2001 Newman ..... G08B 7/06  
D30/129  
6,386,494 B1 5/2002 Huang  
D460,691 S \* 7/2002 Morris ..... G08B 7/06  
D9/456  
6,422,402 B1 7/2002 Hollinger  
6,596,374 B1 7/2003 Adjeleian  
D519,375 S \* 4/2006 Brooks ..... D9/456  
(Continued)

**FOREIGN PATENT DOCUMENTS**

CN 305668621 \* 3/2020

*Primary Examiner* — Brett Miller

*Assistant Examiner* — Rani J Abdallah

(74) *Attorney, Agent, or Firm* — Calfee, Halter &  
Griswold LLP

(57) **CLAIM**

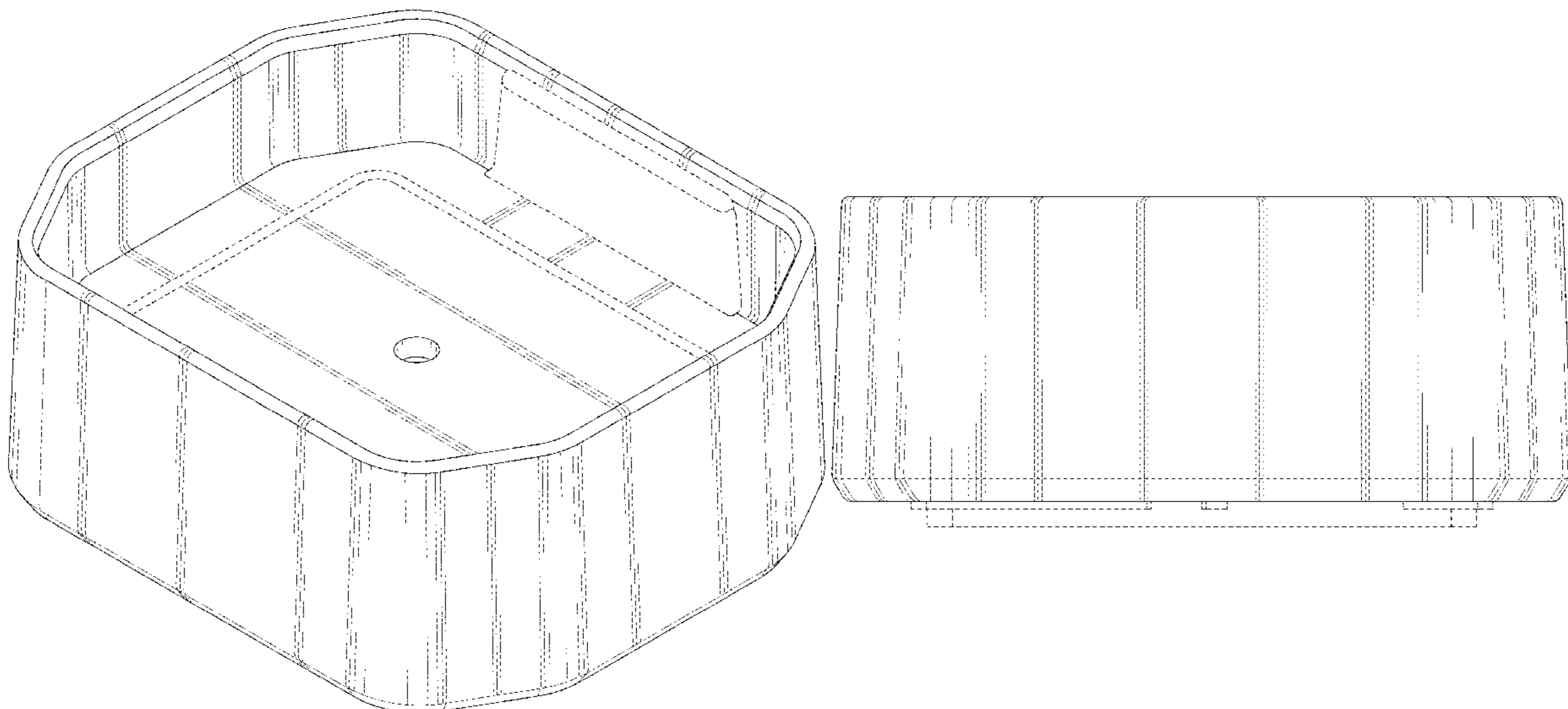
The ornamental design for a table top sanitizer dispenser  
bottle base, as shown and described.

**DESCRIPTION**

FIG. 1 is a perspective view of a table top sanitizer dispenser  
bottle base of the new design;  
FIG. 2 is a front elevational view of the table top sanitizer  
dispenser bottle base of FIG. 1;  
FIG. 3 is a rear elevational view of the table top sanitizer  
dispenser bottle base of FIG. 1;  
FIG. 4 is left side elevational view of the table top sanitizer  
dispenser bottle base of FIG. 1;  
FIG. 5 is a right side elevational view of the table top  
sanitizer dispenser bottle base of FIG. 1;  
FIG. 6 a top plan view of the table top sanitizer dispenser  
bottle base of FIG. 1; and,  
FIG. 7 is a bottom view of the table top sanitizer dispenser  
bottle base of FIG. 1.

The broken lines shown in the figures represent portions of  
the table top sanitizer dispenser bottle base that form no part  
of the claimed design.

**1 Claim, 5 Drawing Sheets**



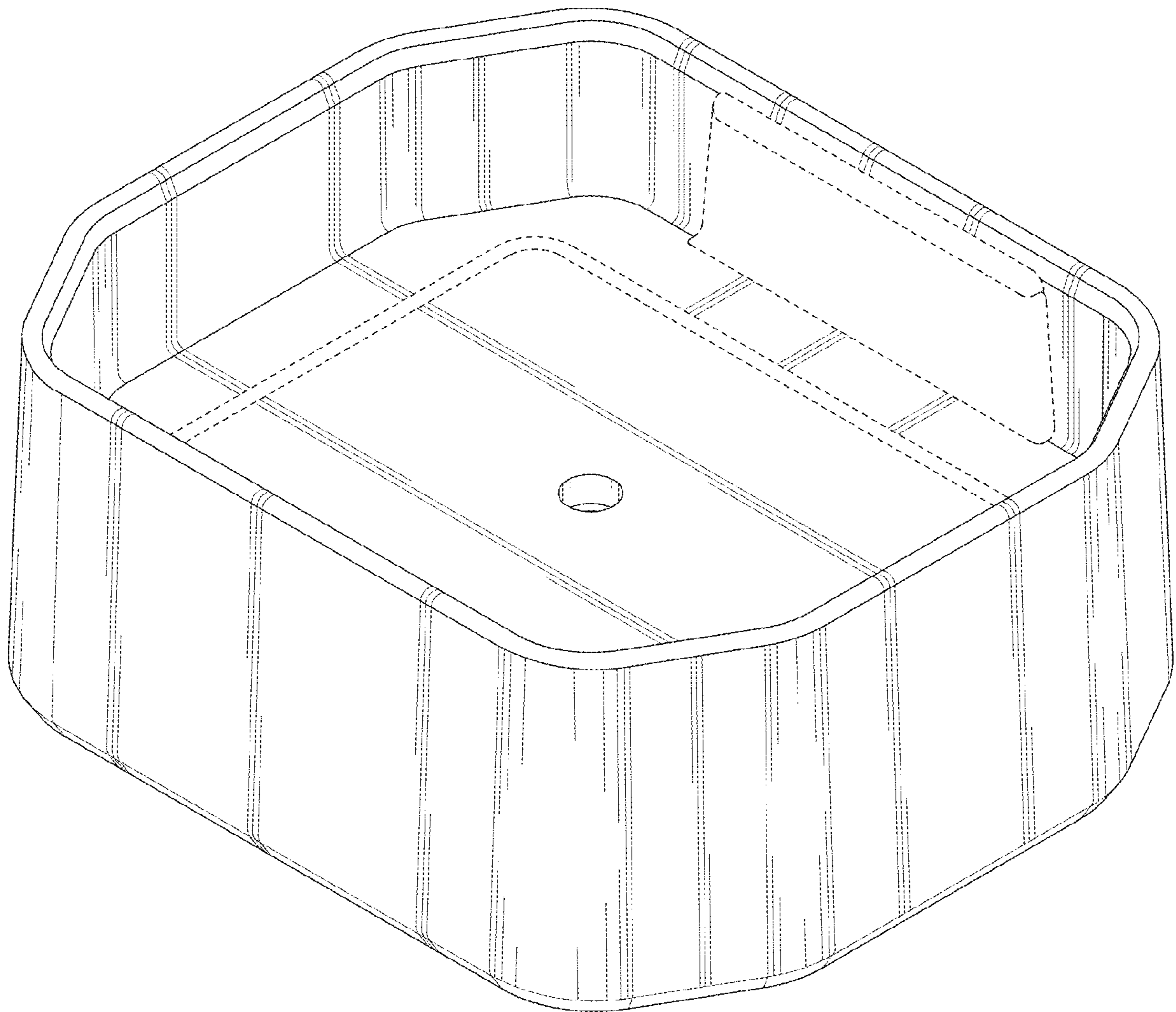
(56)

**References Cited**

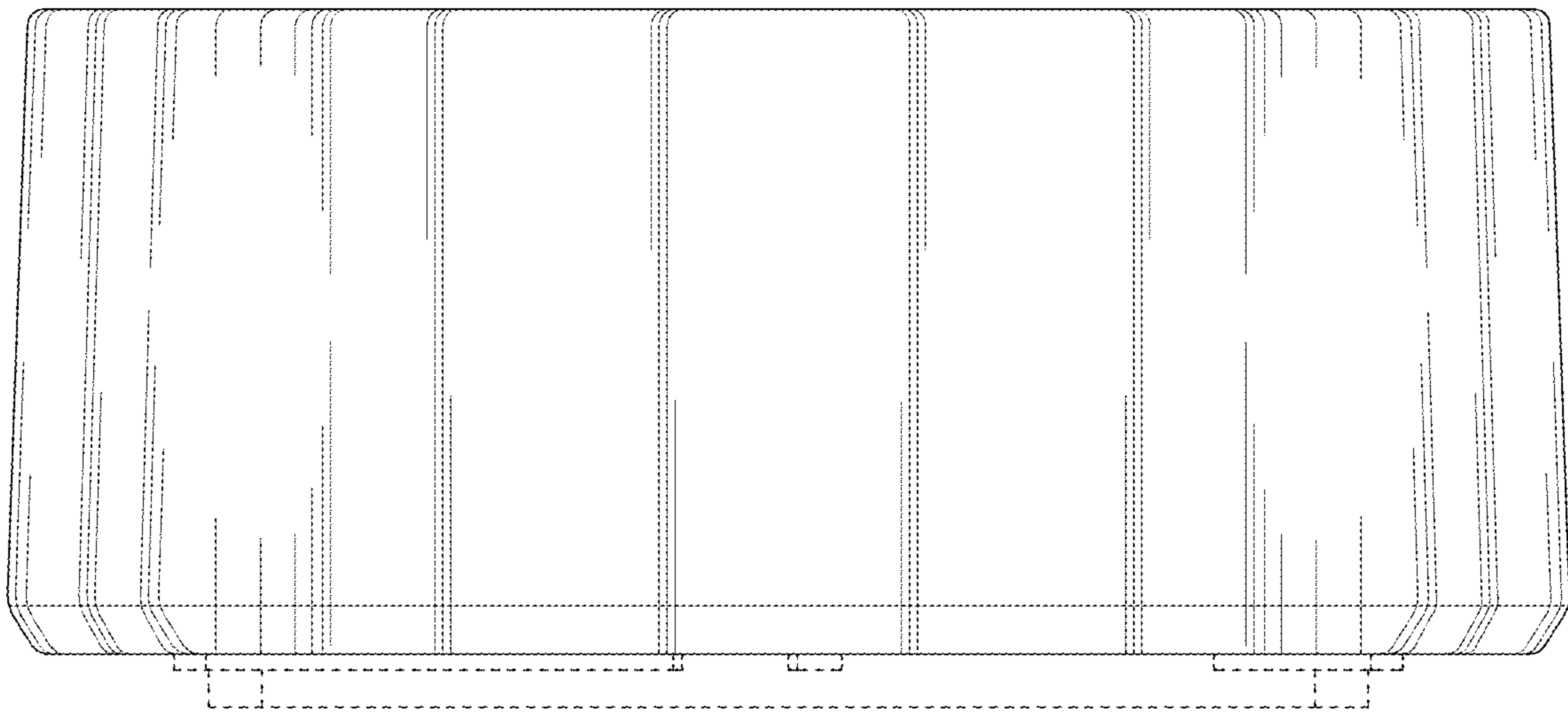
U.S. PATENT DOCUMENTS

7,124,987	B2	10/2006	Zschiedrich	
D539,145	S *	3/2007	Carlson .....	D9/456
D543,109	S *	5/2007	Carlson .....	D9/455
7,264,197	B2	9/2007	Yu	
7,338,020	B2	3/2008	Magid	
7,607,622	B2	10/2009	Carnevali	
7,708,245	B2	5/2010	Woo	
7,850,133	B2	12/2010	Carnevali	
7,861,647	B2	1/2011	So et al.	
7,975,971	B2	7/2011	Carnevali	
8,028,850	B2	10/2011	Zimmerman	
8,033,517	B2	10/2011	Wilcoxon	
D653,088	S *	1/2012	Hansen .....	D7/624.1
D663,206	S *	7/2012	Nelson .....	D9/456
8,235,336	B2	8/2012	Lin et al.	
8,302,920	B2	11/2012	Tsai	
8,505,861	B2	8/2013	Carnevali	
8,757,418	B2	6/2014	Zimmerman et al.	
8,757,426	B1	6/2014	Serrano	
8,757,572	B1	6/2014	Starr et al.	
D804,307	S *	12/2017	Matthews .....	G08B 7/06 D9/456
D914,998	S *	3/2021	Fan .....	D30/129
D948,745	S *	4/2022	Gross .....	D9/456
2021/0390836	A1 *	12/2021	Marshall .....	G08B 7/06

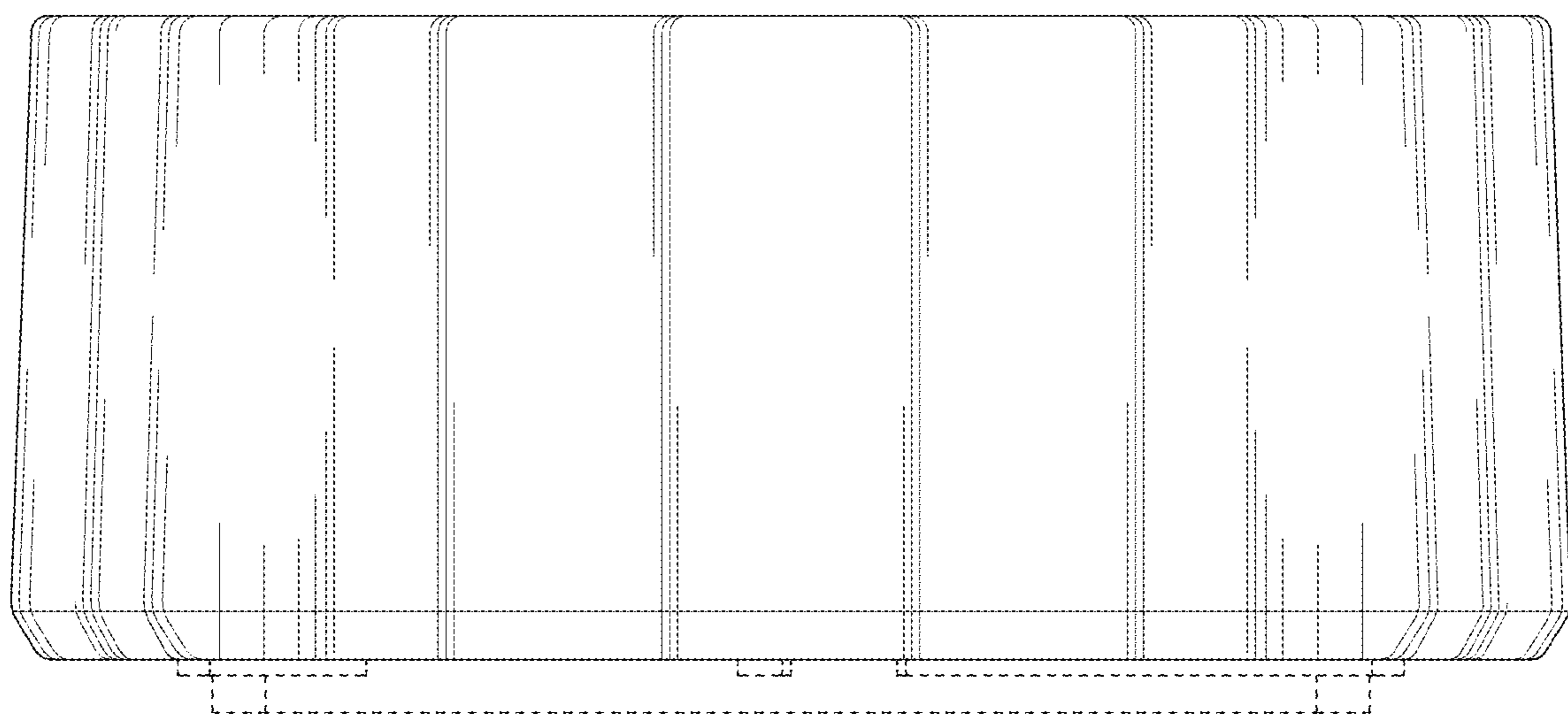
\* cited by examiner



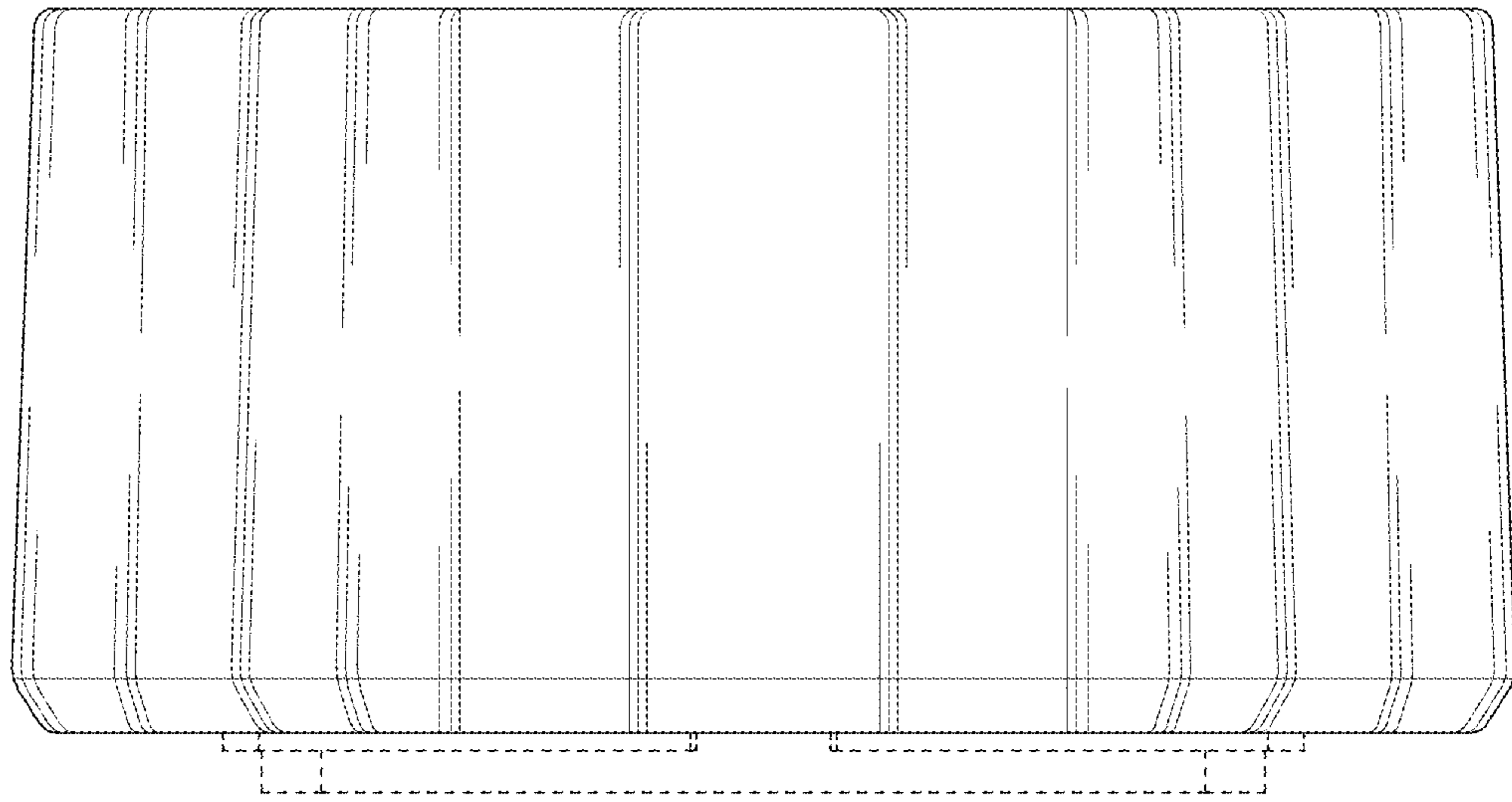
**FIG. 1**



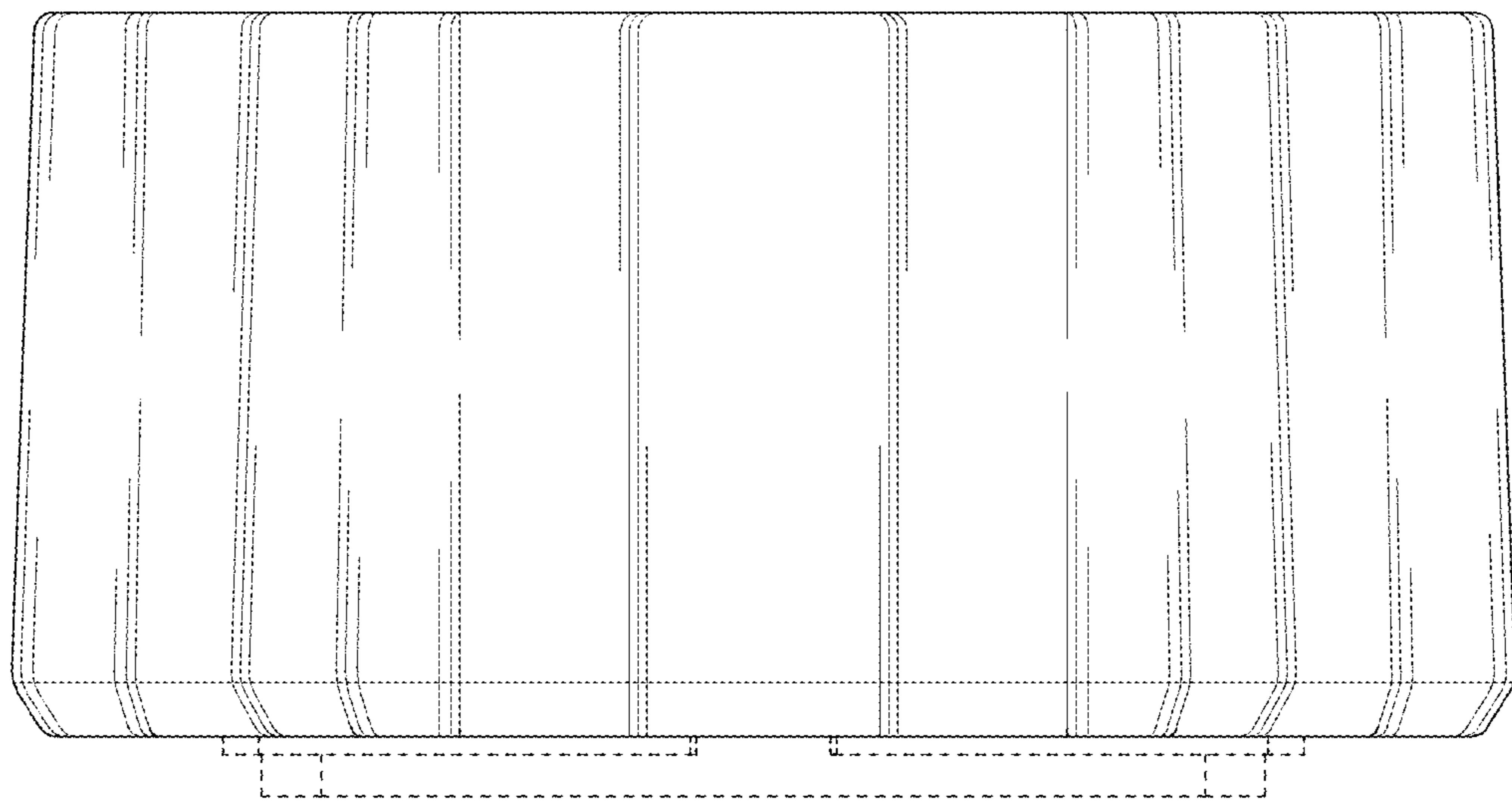
**FIG. 2**



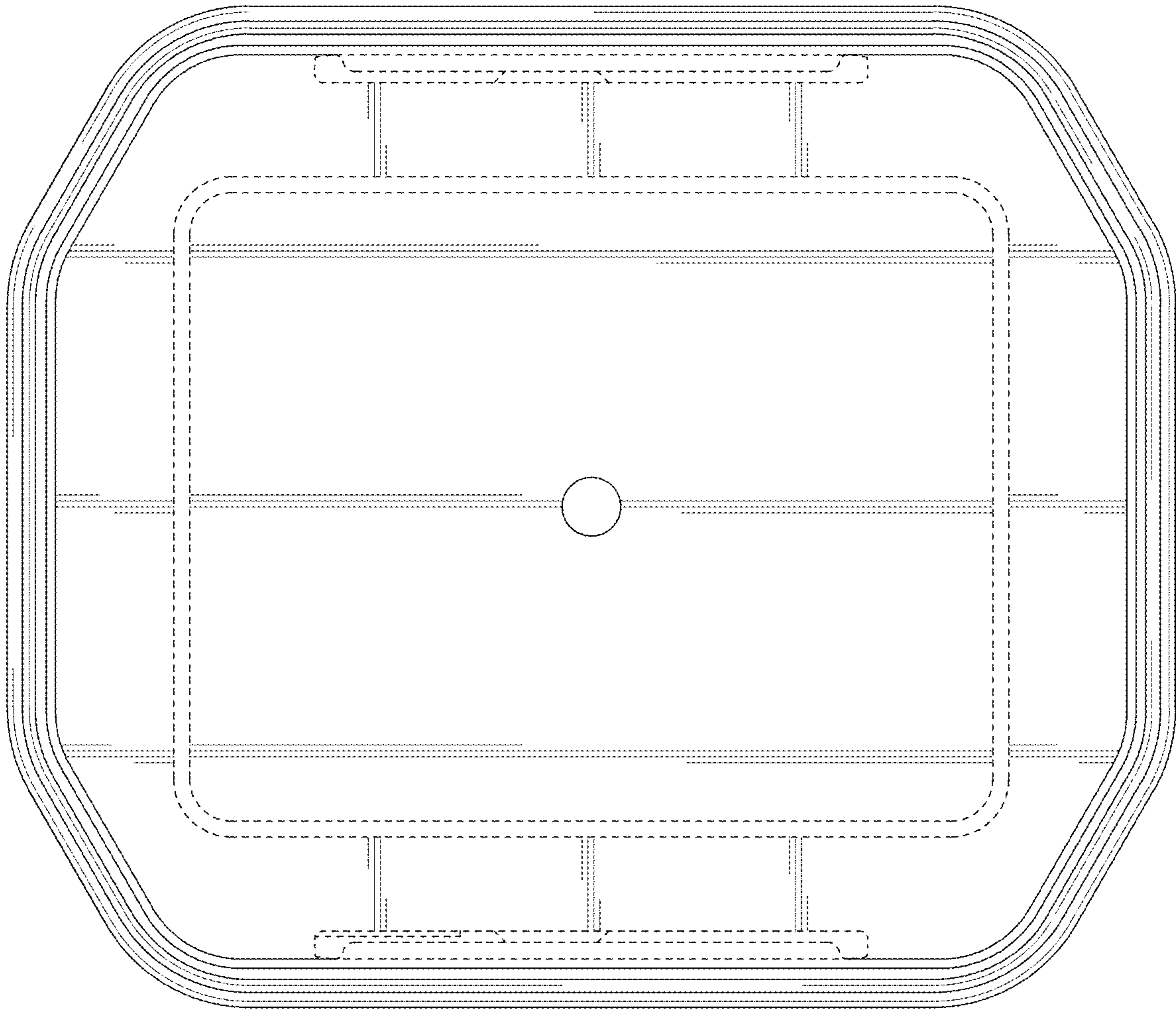
**FIG. 3**



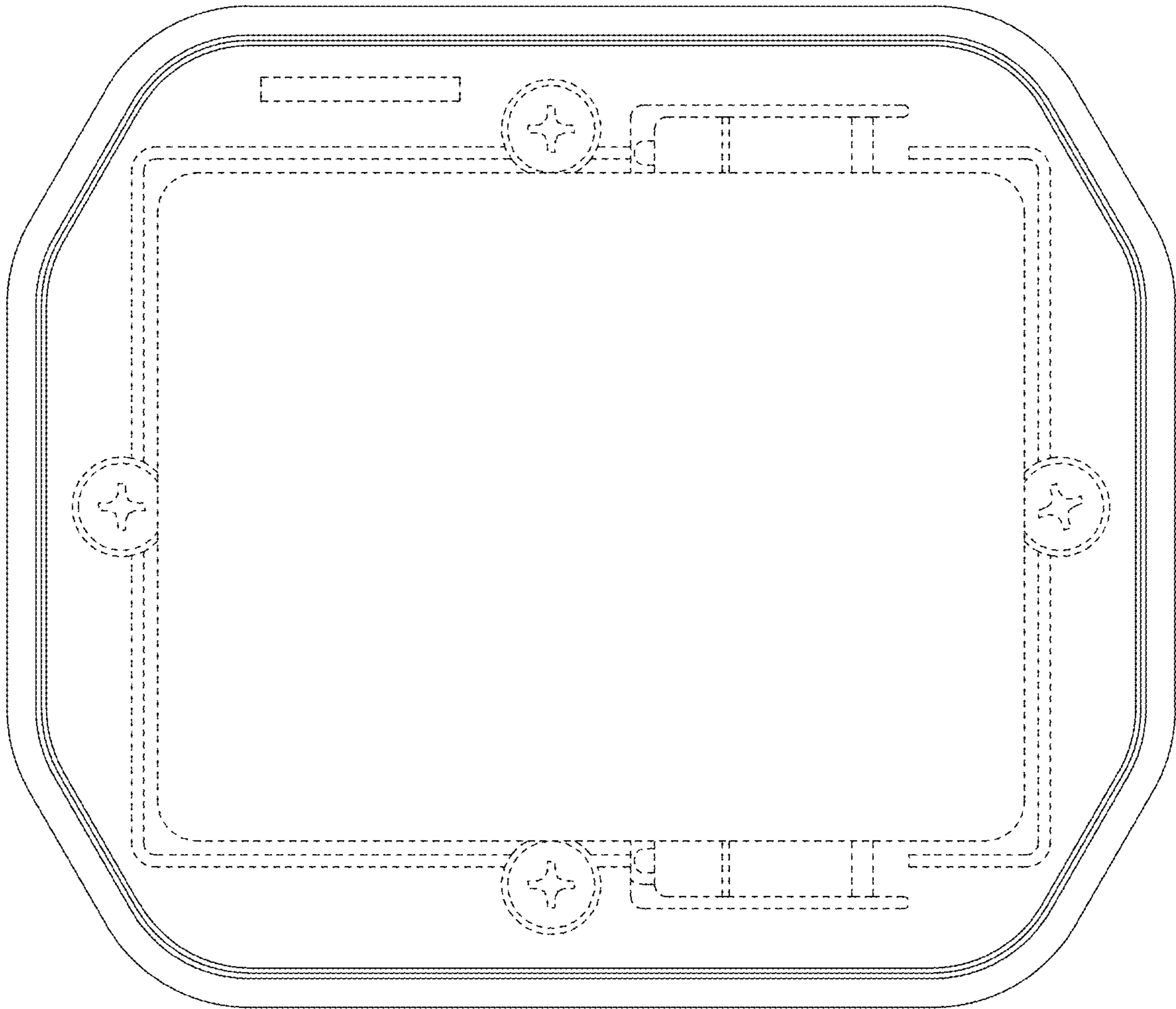
**FIG. 4**



**FIG. 5**



**FIG. 6**



**FIG. 7**