



US00D971730S

(12) **United States Design Patent**  
**Gosling et al.**

(10) **Patent No.:** **US D971,730 S**  
(45) **Date of Patent:** **\*\* Dec. 6, 2022**

(54) **CAP FOR A POUCH**

- (71) Applicant: **Cheer Pack North America**, West Bridgewater, MA (US)
- (72) Inventors: **Stephen Gosling**, Hingham, MA (US); **David A. Williamson**, Plymouth, MA (US)
- (73) Assignee: **Cheer Pack North America**, West Bridgewater, MA (US)

(\*\*) Term: **15 Years**

(21) Appl. No.: **29/756,635**

(22) Filed: **Oct. 29, 2020**

(51) **LOC (13) Cl.** ..... **09-07**

(52) **U.S. Cl.**  
USPC ..... **D9/452**

(58) **Field of Classification Search**  
 USPC ..... D7/550.1, 554.2, 387, 391, 392, 392.1, D7/396.1, 396.2, 397, 398, 558, 624.1, D7/667, 388, 403, 407, 408, 409; D9/723, 724, 434, 435, 436, 438, 443, D9/445, 447, 448, 449, 450, 452, 453, D9/454; D23/206, 209, 259, 260, 261, D23/397; D21/680, 681  
 CPC ..... B65D 43/0208; B65D 2231/022; B65D 2543/00027; B65D 2543/00092; B65D 2543/000296; B65D 2543/00342; B65D  
 (Continued)

(56) **References Cited**

**U.S. PATENT DOCUMENTS**

- 3,086,629 A 4/1963 Blitzer
  - D230,013 S 1/1974 Emerson
- (Continued)

**FOREIGN PATENT DOCUMENTS**

- CN 206255377 U 6/2017
- KR 101924434 B1 12/2018
- WO 2020037788 A1 2/2020

**OTHER PUBLICATIONS**

Cheer Pack Caps: Announced Jun. 8, 2019 [online]. Site Visited [Dec. 13, 2021]. Available from Internet URL: <http://cheerpack.com/index.php/capabilities/products/>.  
 (Continued)

*Primary Examiner* — Catherine S Posthauer  
 (74) *Attorney, Agent, or Firm* — Harness, Dickey & Pierce, P.L.C.

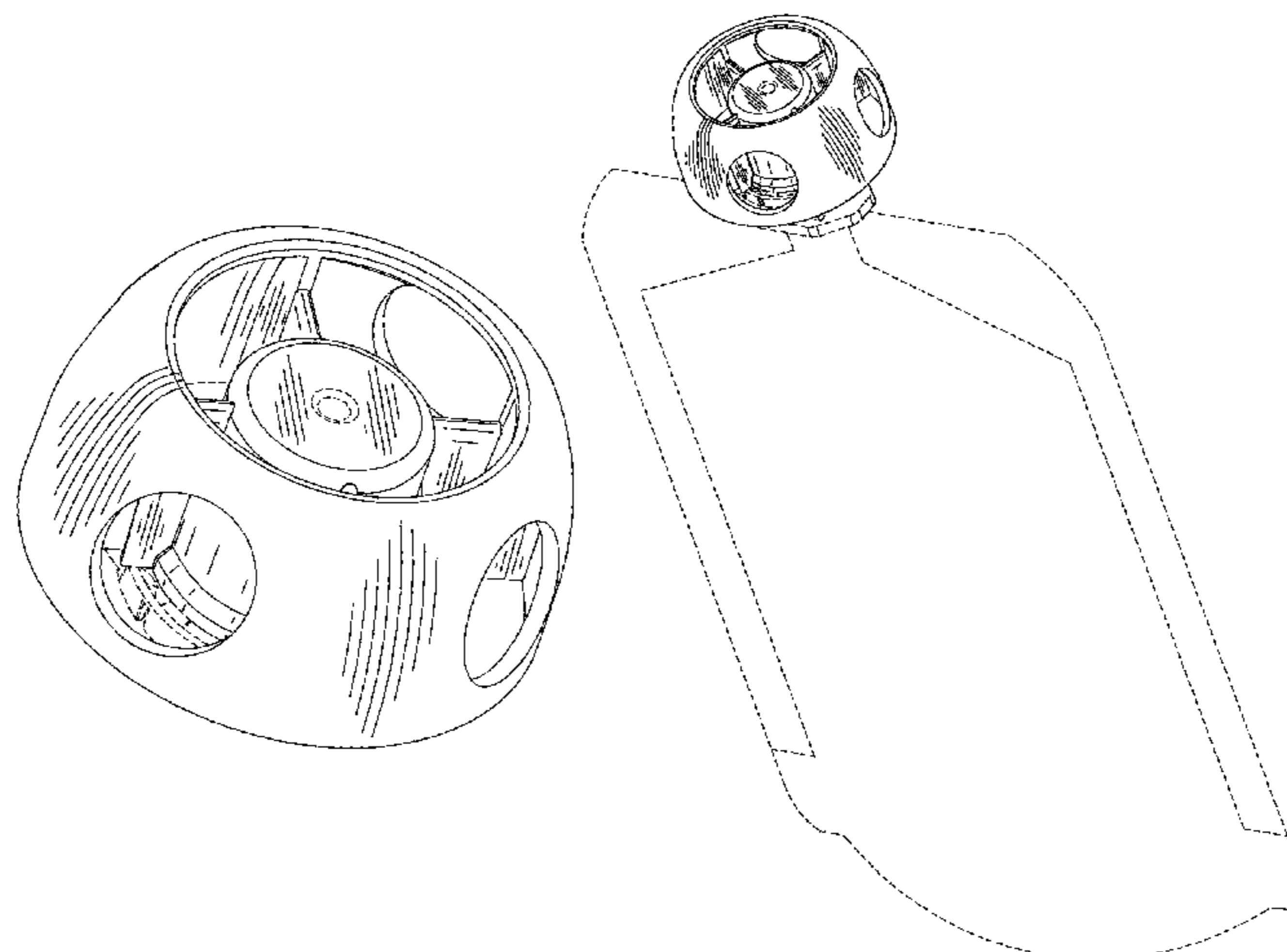
(57) **CLAIM**

The ornamental design for a cap for a pouch, as shown and described.

**DESCRIPTION**

FIG. 1 is a top perspective view of a cap of the present invention;  
 FIG. 2 is a front perspective view of the cap of FIG. 1;  
 FIG. 3 is a side perspective view of the cap of FIG. 1;  
 FIG. 4 is a front view of the cap of FIG. 1, the back view being a mirror image thereof;  
 FIG. 5 is a right side view of the cap of FIG. 1, the left side view being a mirror image thereof;  
 FIG. 6 is a top view of the cap of FIG. 1;  
 FIG. 7 is a bottom view of the cap of FIG. 1;  
 FIG. 8 is a perspective view of the cap of FIG. 1 shown in a position of use with an exemplary pouch;  
 FIG. 9 is a front view thereof, the back view being a mirror image thereof;  
 FIG. 10 is a right side view thereof, the left side being a mirror image thereof;  
 FIG. 11 is a top view thereof; and,  
 FIG. 12 is a bottom view thereof.  
 The broken lines are shown for the purpose of illustrating both parts of the article as well as environmental subject matter of an exemplary pouch. None of the broken lines form part of the claim.

**1 Claim, 8 Drawing Sheets**



(58) **Field of Classification Search**

CPC ..... 2543/00509; B65D 2543/00518; B65D  
2543/00537; B65D 2543/00731; B65D  
2543/00814; B65D 41/34; B65D 41/3428;  
B65D 1/20; B65D 2251/0018; B65D  
2251/0071; B65D 2251/02; B29C 51/22;  
B29C 51/268; B29C 51/44; B29C  
45/0001; B29C 45/0081; A47G 19/2272

See application file for complete search history.

(56) **References Cited**

U.S. PATENT DOCUMENTS

D294,458 S 3/1988 Wilmott et al.  
4,764,143 A 8/1988 Gat et al.  
D322,025 S 12/1991 Funston  
D547,657 S \* 7/2007 Tacchella ..... D9/454  
D551,078 S 9/2007 Last  
D562,683 S \* 2/2008 Sweeton ..... D9/454  
D600,120 S \* 9/2009 Kawamura ..... D9/452  
D637,080 S \* 5/2011 Brooks ..... D9/452  
D679,597 S \* 4/2013 Tamarindo ..... D9/452  
D681,460 S \* 5/2013 Kim ..... D9/452  
D682,688 S \* 5/2013 Murray ..... D9/435  
D682,693 S 5/2013 Cocuzzi  
8,443,999 B1 5/2013 Reinders  
D684,055 S \* 6/2013 Kwon ..... D9/452  
D684,056 S \* 6/2013 Kwon ..... D9/452  
D684,057 S \* 6/2013 Kwon ..... D9/453  
D687,719 S 8/2013 Last  
D693,220 S \* 11/2013 Luo ..... B65D 55/00  
D9/452  
D704,058 S 5/2014 Last  
D705,061 S \* 5/2014 Jo ..... D9/453  
D705,062 S \* 5/2014 Jo ..... D9/453  
D717,650 S \* 11/2014 Tamarindo ..... D9/454  
D735,038 S \* 7/2015 Tamarindo ..... D9/454  
D751,397 S \* 3/2016 Kim ..... D9/452  
D759,486 S \* 6/2016 Ingram ..... D9/453  
D770,281 S \* 11/2016 Kim ..... D9/452  
D775,952 S \* 1/2017 Kim ..... D9/452  
D786,672 S 5/2017 van Spronsen et al.  
D787,328 S 5/2017 van der Molen  
D787,329 S 5/2017 van der Molen  
D787,330 S 5/2017 van der Molen  
D796,326 S \* 9/2017 Ichikawa ..... D9/453  
D799,322 S 10/2017 Tamarindo  
9,975,659 B2 5/2018 McConnell et al.  
D819,442 S 6/2018 Johnson  
D823,115 S 7/2018 Walker et al.  
D830,522 S \* 10/2018 Di Liberto ..... D23/259  
D842,698 S \* 3/2019 Moriyama ..... D9/453

D842,699 S \* 3/2019 Tamarindo ..... D9/454  
D843,215 S \* 3/2019 Steigelman ..... D9/453  
D853,235 S 7/2019 Yao  
10,472,133 B2 11/2019 Tamarind  
D871,832 S \* 1/2020 Marina ..... D7/392.1  
D872,528 S \* 1/2020 Hsu ..... D7/398  
D879,611 S 3/2020 Friedman  
D885,893 S 6/2020 Tamarindo  
D897,207 S 9/2020 Marino  
D905,072 S \* 12/2020 Buzzi ..... D14/454  
D906,108 S \* 12/2020 Kwon ..... D9/452  
D908,000 S 1/2021 Friedman  
D908,509 S 1/2021 Haskins  
D913,093 S 3/2021 Van Den Hoonaard et al.  
D915,197 S \* 4/2021 Katano ..... D9/448  
D930,472 S 9/2021 Friedman  
2004/0000550 A1 1/2004 Taccolini et al.  
2012/0211460 A1 8/2012 Tamarindo  
2013/0175274 A1 7/2013 Kim  
2013/0213927 A1 8/2013 Hendrickson et al.  
2015/0144362 A1 5/2015 Thompson  
2015/0144632 A1 5/2015 Tamarindo et al.  
2016/0272380 A1 9/2016 Mazurkiewicz et al.  
2018/0170626 A1 6/2018 Kwon

OTHER PUBLICATIONS

Dow Flexible Packaging Caps: Announced Oct. 3, 2016 [online].  
Site Visited [Dec. 13, 2021]. Available from Internet URL: <https://www.flexpackmag.com/articles/88386-innovative-closure-resins-by-dow-offer-resource-for-cap-and-closure-technology>.  
Cheer Pack North America Products: Announced Dec. 20, 2019 [online]. Site Visited [Mar. 19, 2022]. Available from Internet URL: <http://cheerpack.com/index.php/capabilities/products/>.  
Go Go Squeez Review: Announced Mar. 4, 2014 [online]. Site Visited [Mar. 19, 2022]. Available from Internet URL: <https://www.twiversity.com/2014/03/gogo-squeez-review/>.  
U.S. Appl. No. 17/084,245, filed Oct. 29, 2020, Stephen Gosling et al.  
U.S. Appl. No. 29/756,622, filed Oct. 29, 2020 Stephen Gosling et al.  
U.S. Appl. No. 29/756,623, filed Oct. 29, 2020, Stephen Gosling et al.  
U.S. Appl. No. 29/756,629, filed Oct. 29, 2020, Stephen Gosling et al.  
U.S. Appl. No. 29/756,634, filed Oct. 29, 2020, Stephen Gosling et al.  
U.S. Appl. No. 29/756,637, filed Oct. 29, 2020, Stephen Gosling et al.  
Extended European Search Report regarding Application No. 21205475.3, dated Apr. 4, 2022.

\* cited by examiner

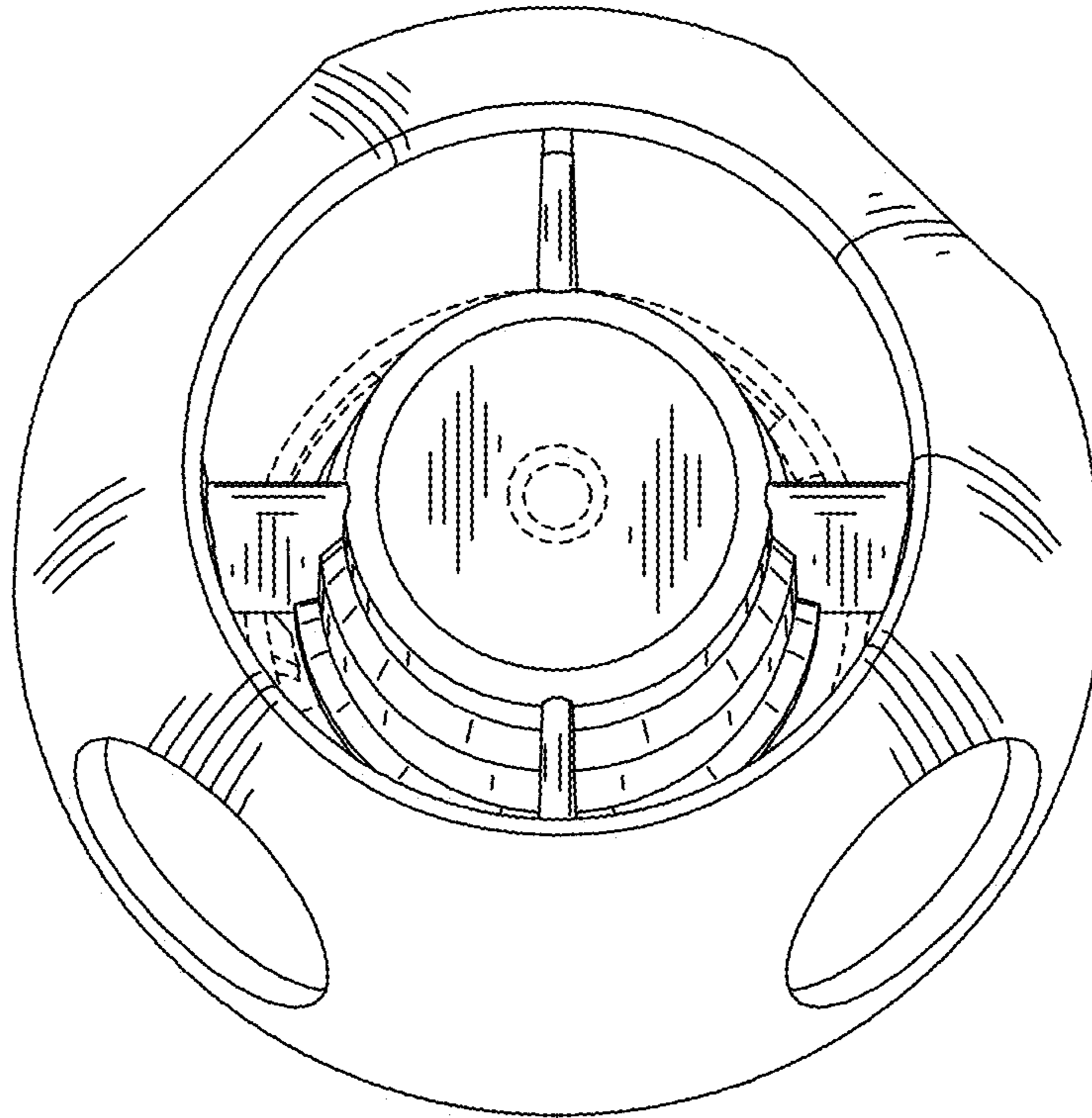


FIG. 1

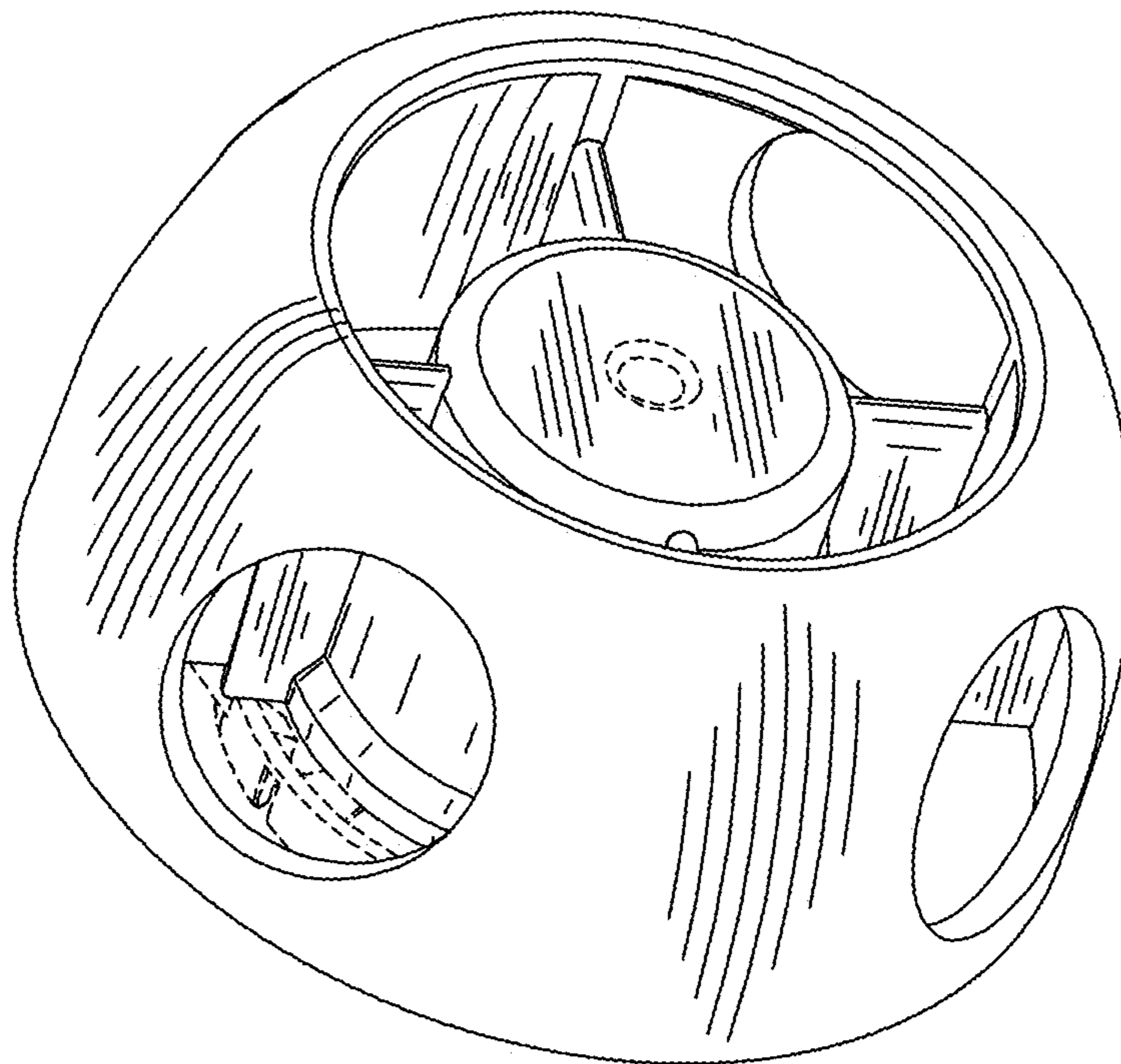


FIG. 2

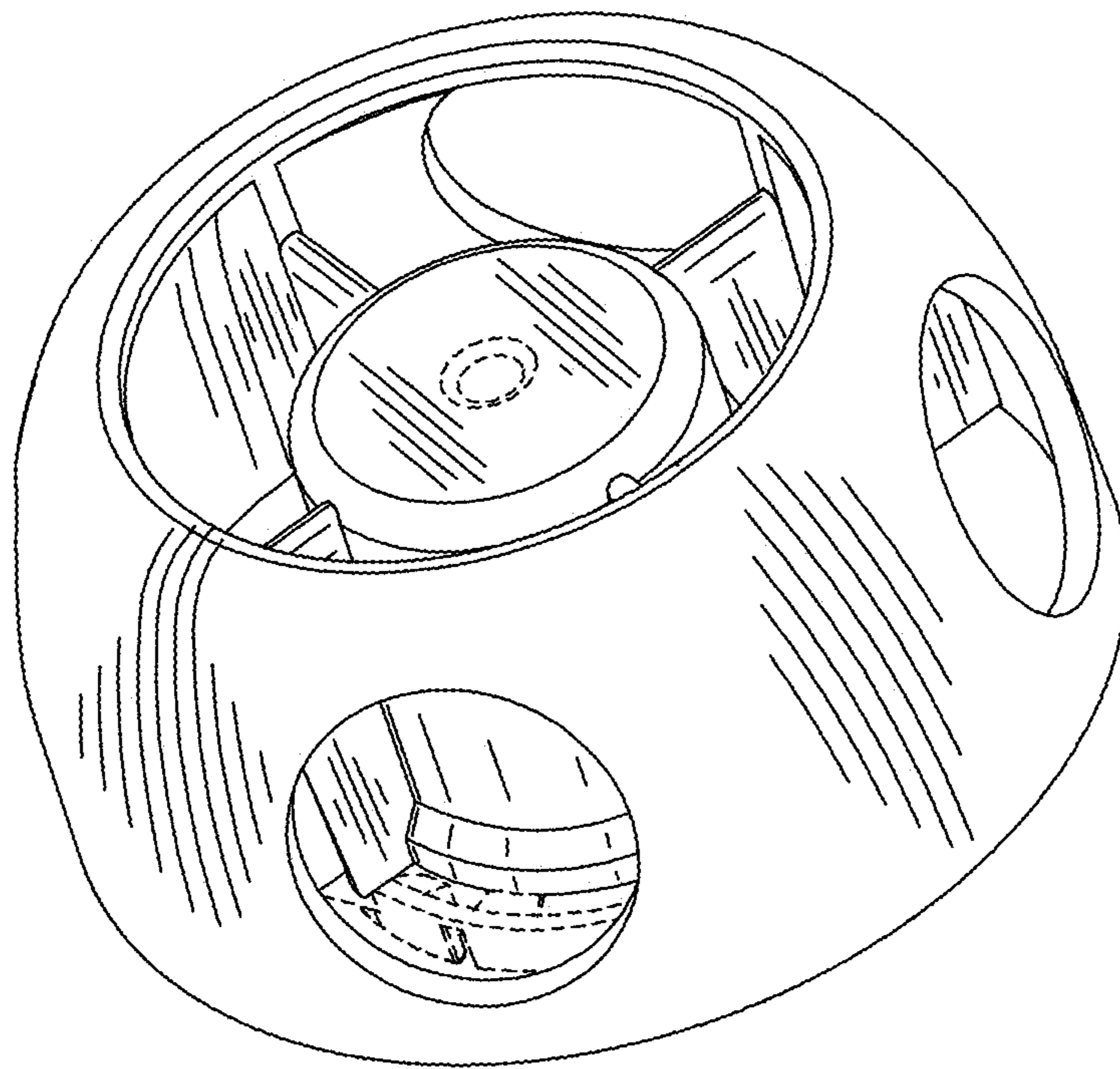


FIG. 3

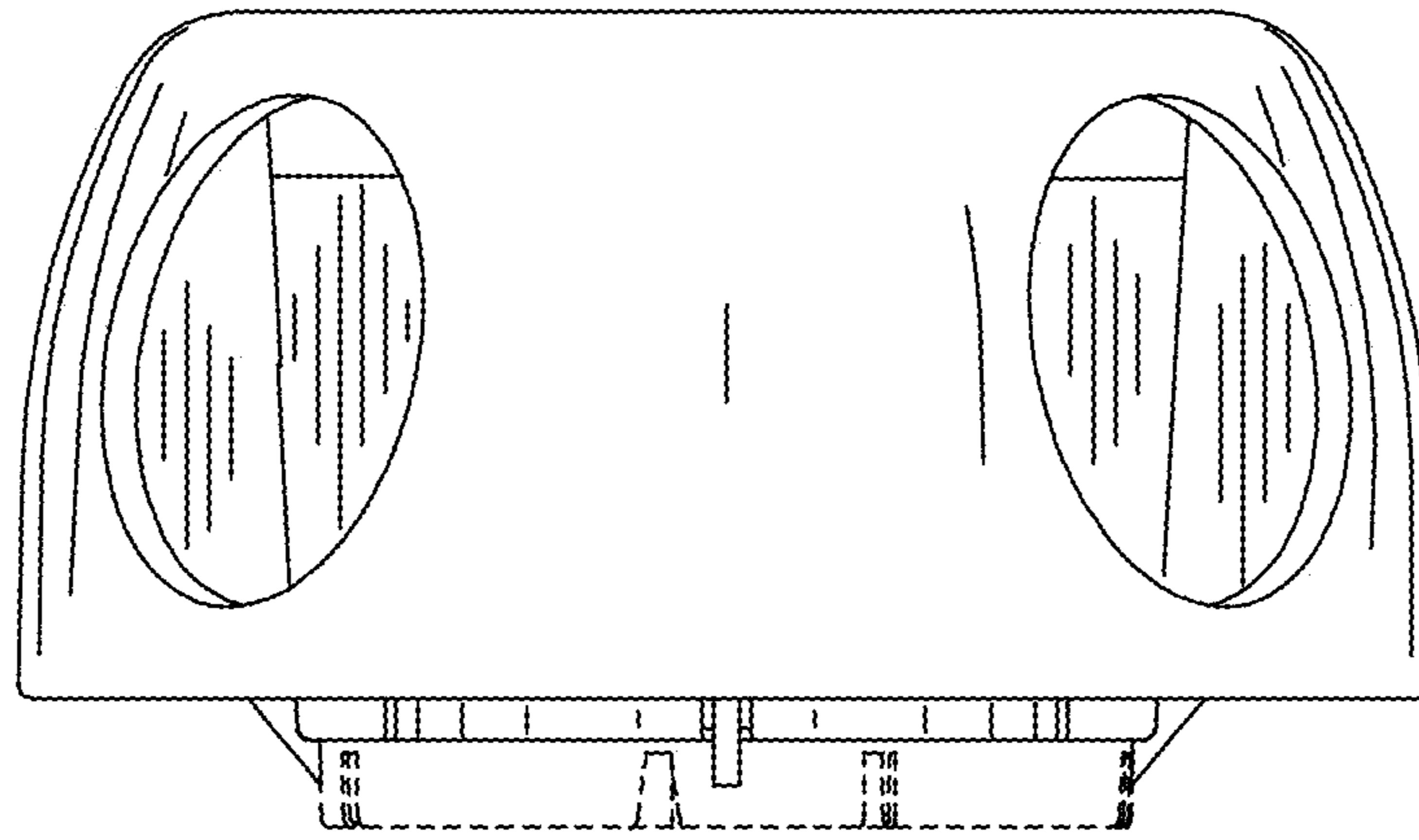


FIG. 4

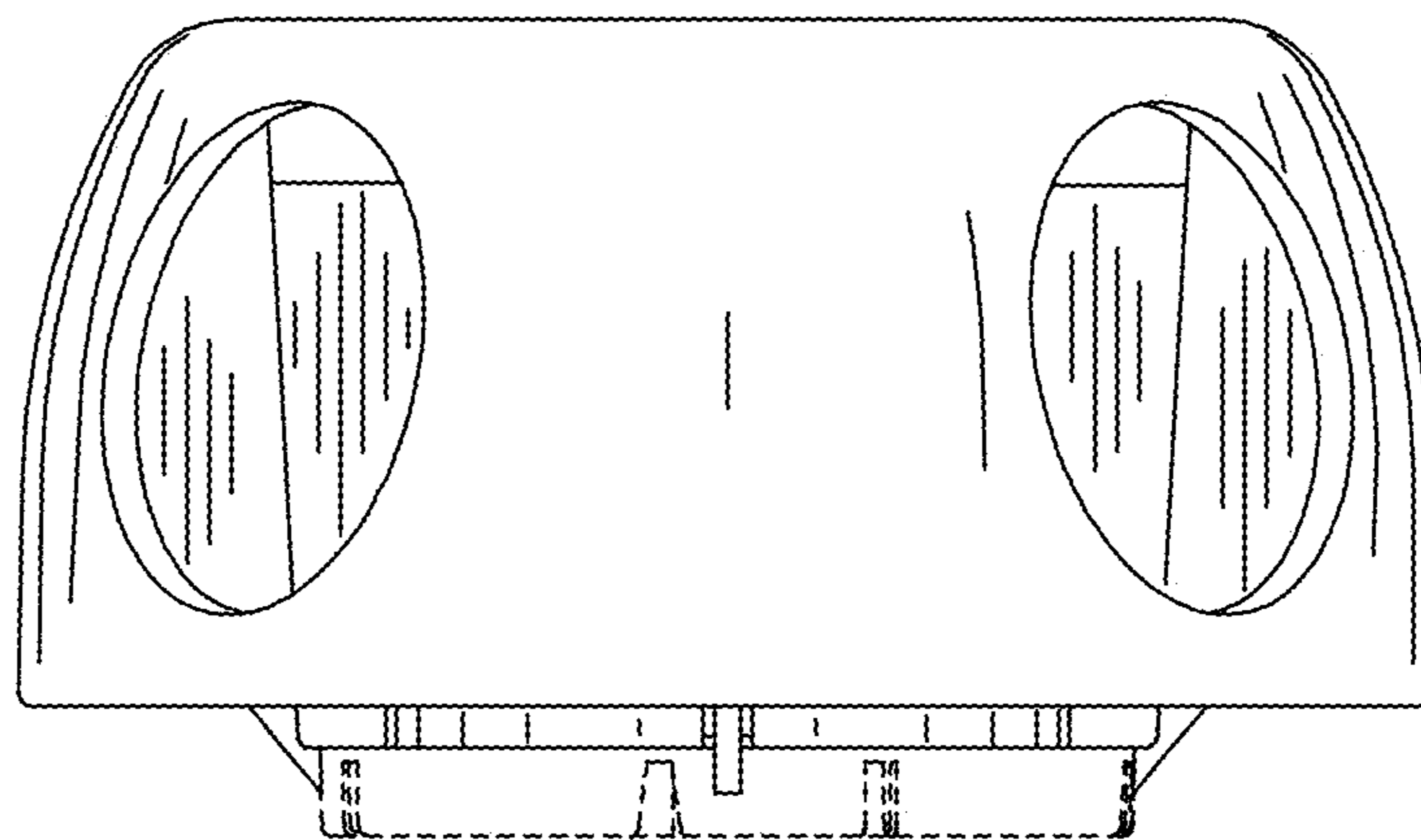


FIG. 5

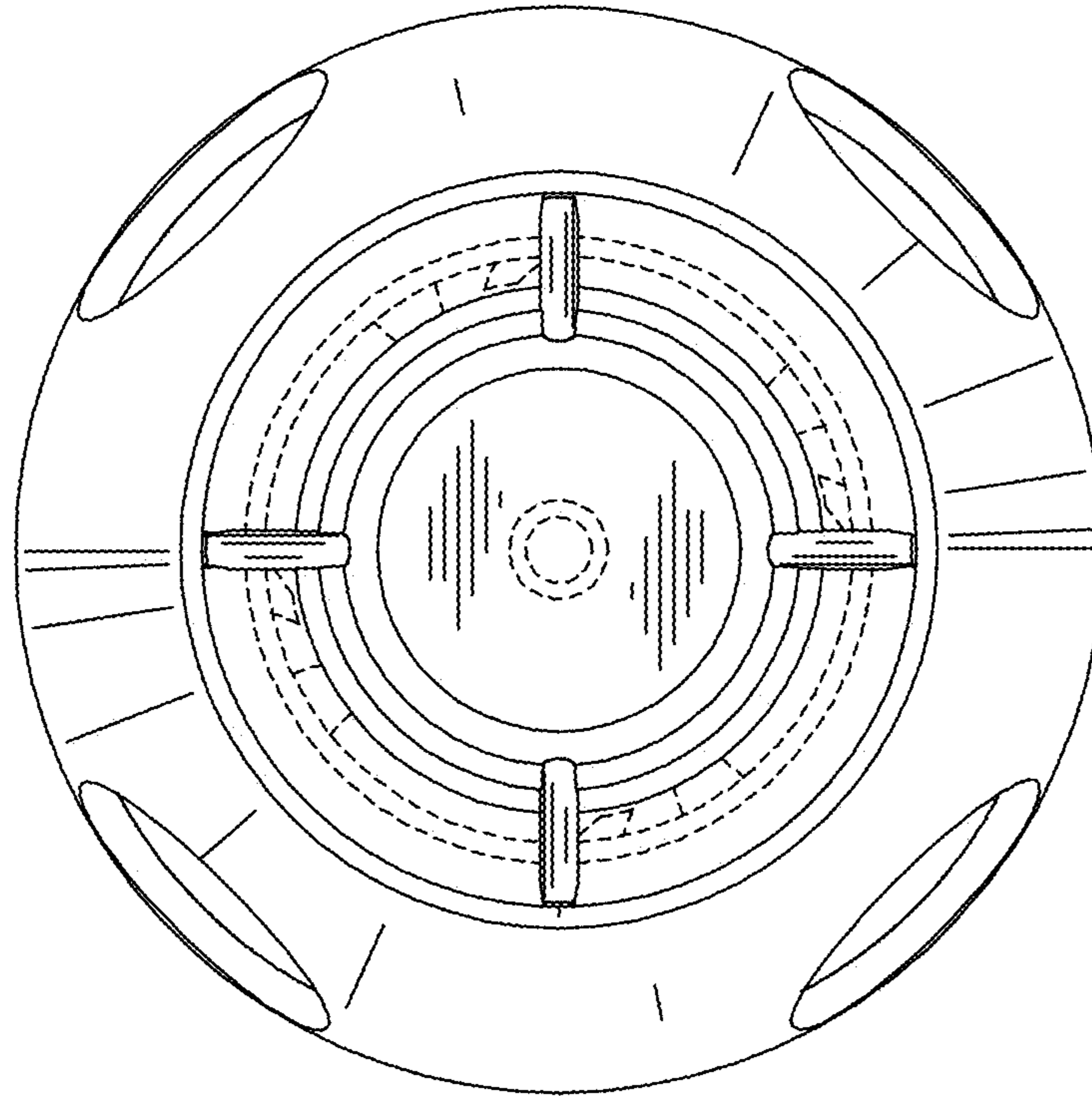


FIG. 6

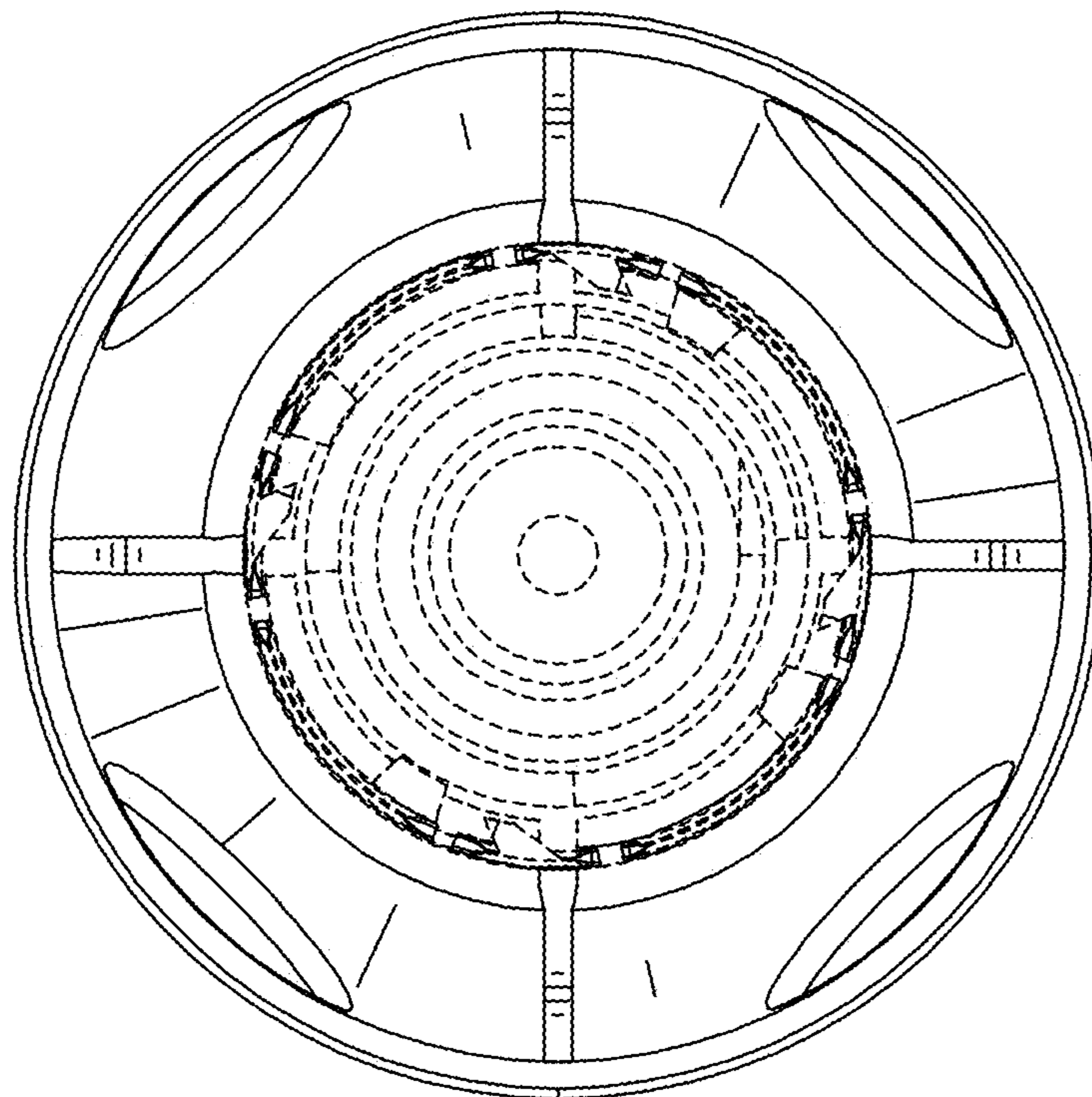


FIG. 7

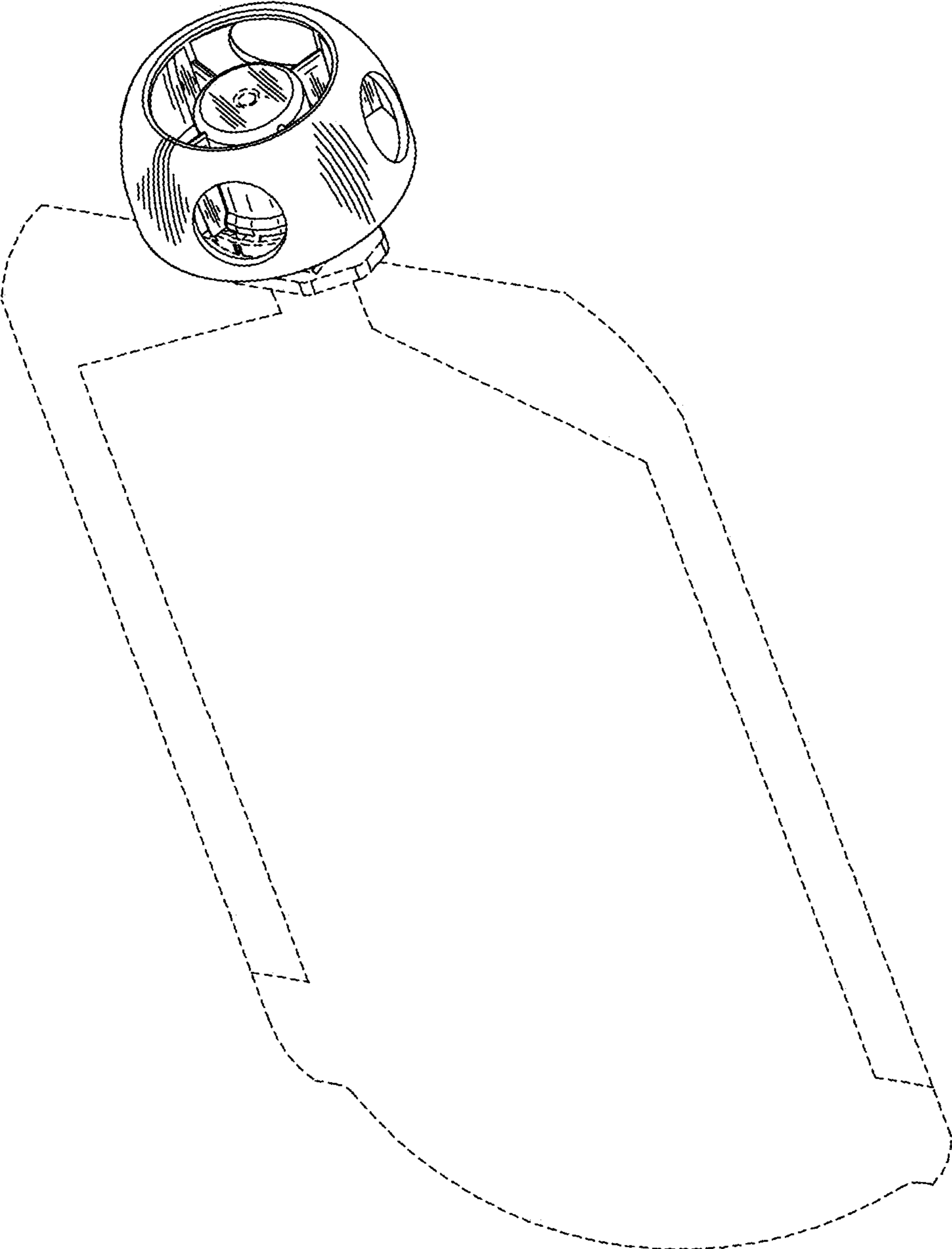


FIG. 8

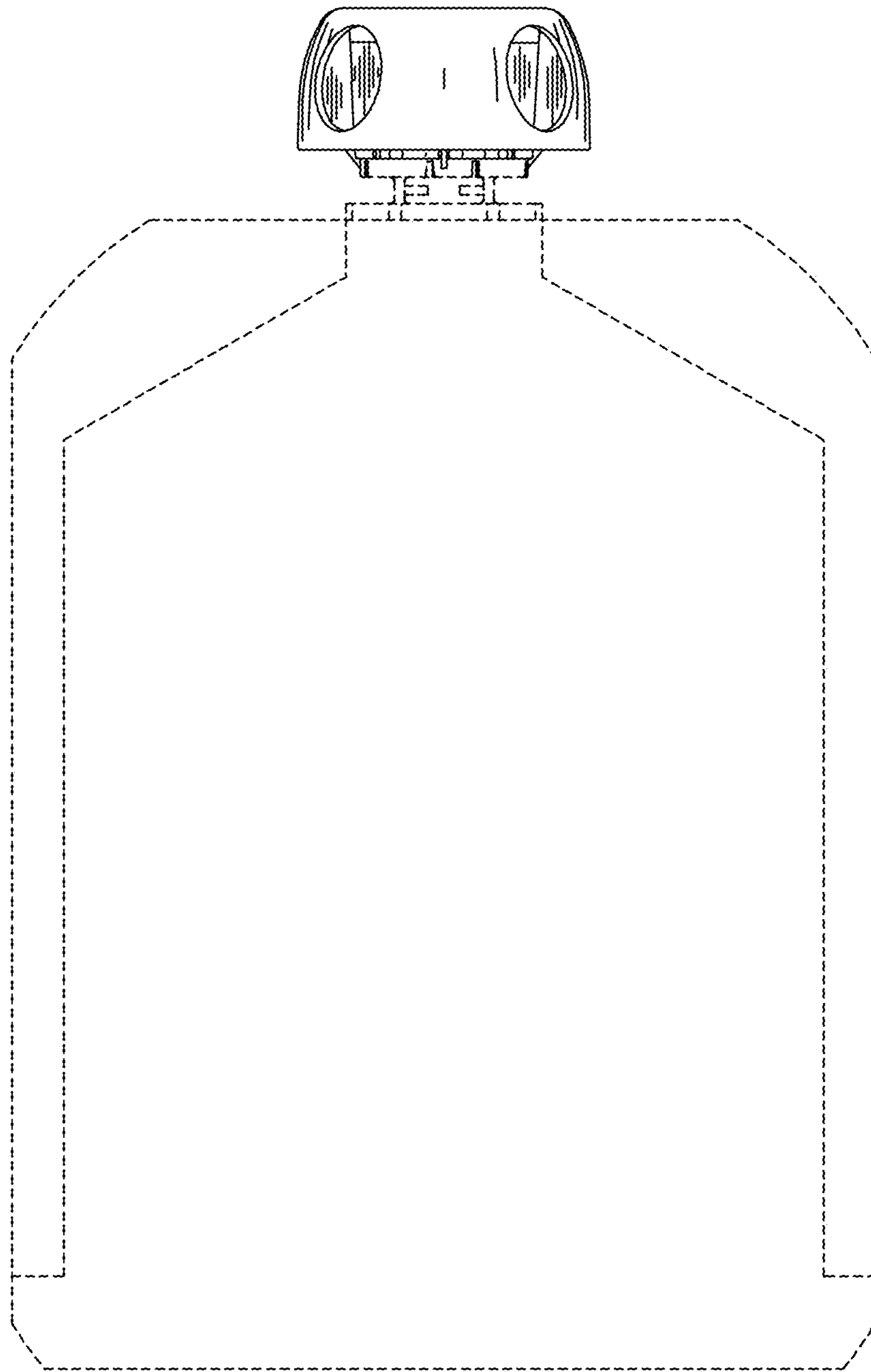


FIG. 9



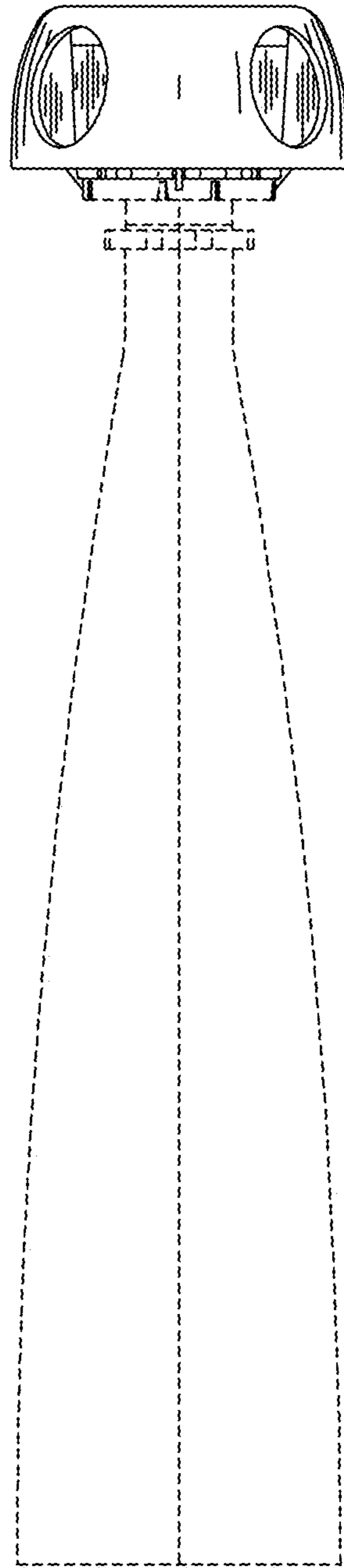


FIG. 10

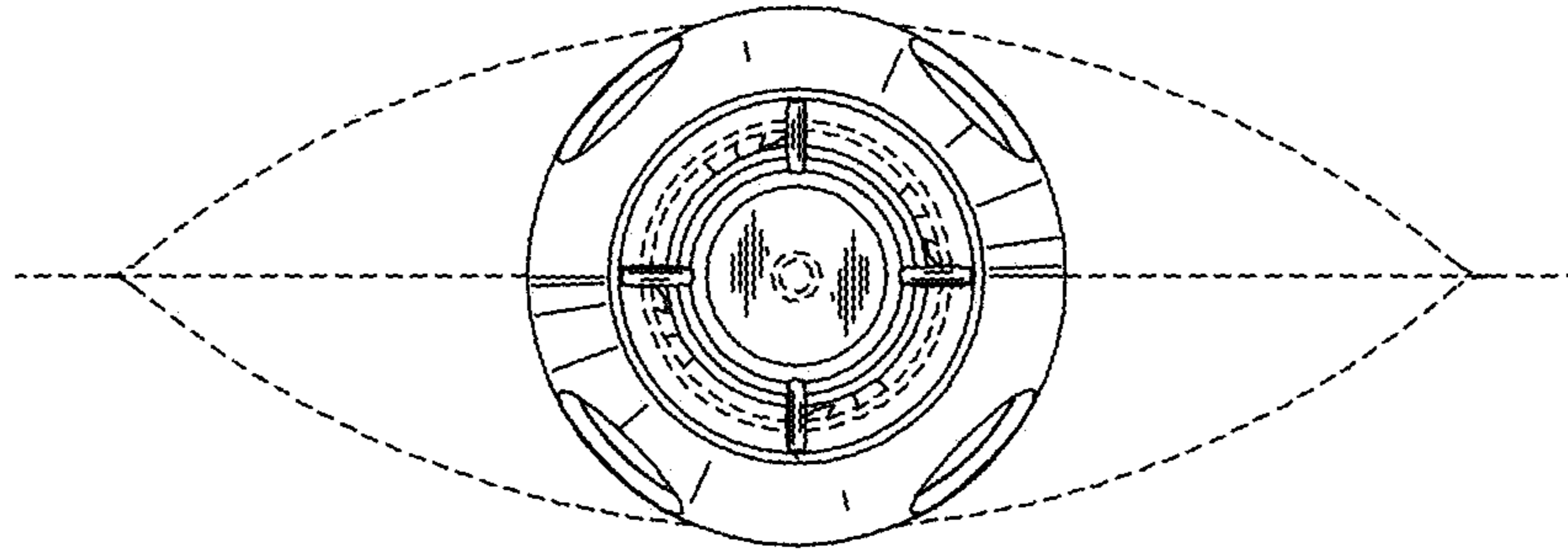


FIG. 11

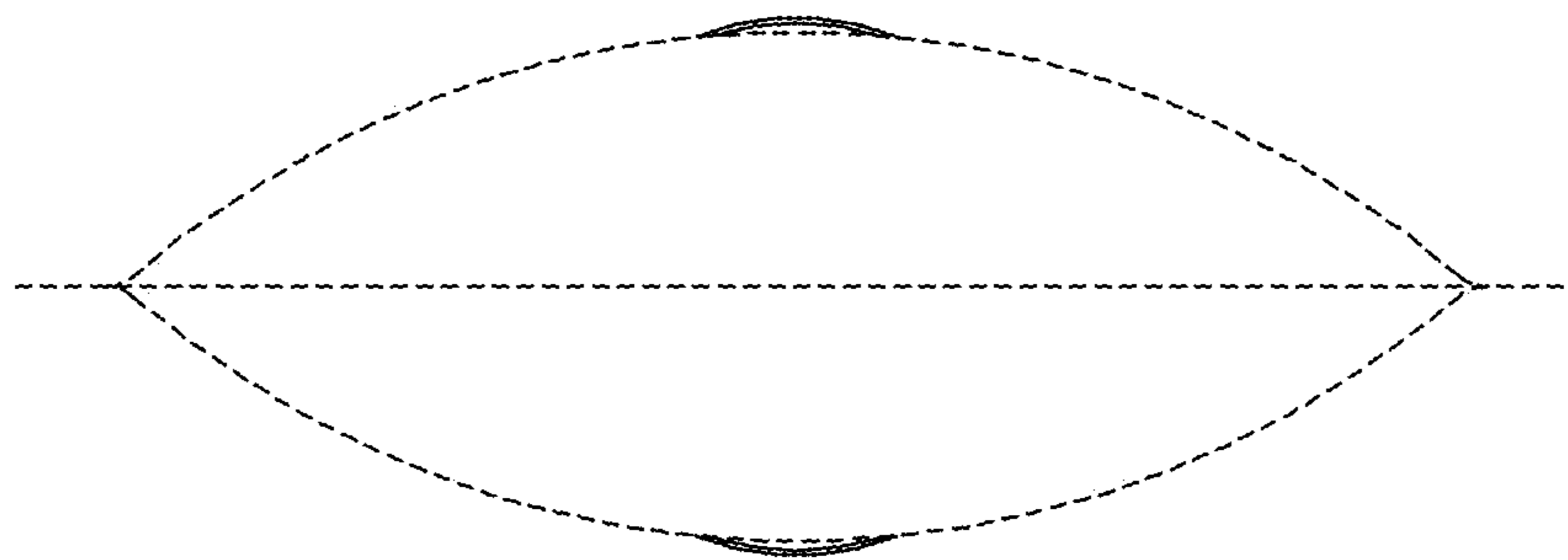


FIG. 12

UNITED STATES PATENT AND TRADEMARK OFFICE  
**CERTIFICATE OF CORRECTION**

PATENT NO. : D971,730 S  
APPLICATION NO. : 29/756635  
DATED : December 6, 2022  
INVENTOR(S) : Stephen Gosling et al.

Page 1 of 1

It is certified that error appears in the above-identified patent and that said Letters Patent is hereby corrected as shown below:

On the Title Page

Column 2, Description, Line 1, After “cap”, insert --for a pouch--

Column 2, Description, Line 3, After “cap”, insert --for a pouch--

Column 2, Description, Line 4, After “cap”, insert --for a pouch--


Column 2, Description, Line 5, After “cap”, insert --for a pouch--

Column 2, Description, Line 7, After “cap”, insert --for a pouch--

Column 2, Description, Line 9, After “cap”, insert --for a pouch--

Column 2, Description, Line 10, After “cap”, insert --for a pouch--

Column 2, Description, Line 11, After “cap”, insert --for a pouch--

Signed and Sealed this  
Nineteenth Day of September, 2023  


Katherine Kelly Vidal  
*Director of the United States Patent and Trademark Office*