



US00D971728S

(12) **United States Design Patent** (10) **Patent No.:** **US D971,728 S**  
**Williamson et al.** (45) **Date of Patent:** **\*\* Dec. 6, 2022**

(54) **CAP FOR A POUCH**

- (71) Applicant: **Cheer Pack North America**, West Bridgewater, MA (US)
- (72) Inventors: **David A. Williamson**, Plymouth, MA (US); **Richard Meyer**, East Sandwich, MA (US)
- (73) Assignee: **Cheer Pack North America**, West Bridgewater, MA (US)
- (\*\*) Term: **15 Years**

- (21) Appl. No.: **29/756,637**
- (22) Filed: **Oct. 29, 2020**
- (51) **LOC (13) Cl.** ..... **09-07**
- (52) **U.S. Cl.**  
USPC ..... **D9/443; D9/451**
- (58) **Field of Classification Search**  
USPC ..... D3/17, 29; D7/368, 387, 389, 391, D7/392.1, 396.1, 396.2, 396.4, 397, 400, D7/514, 516, 519, 539, 544, 571, 573, D7/578; D9/414, 416, 417, 434, 435, D9/436, 439, 440, 441, 443, 445, 447, D9/448, 451, 452, 453, 454, 601, 682, D9/685, 686, 688, 690, 695, 707, 708, D9/709, 723, 724, 727; D23/206, 208,  
(Continued)

(56) **References Cited**

**U.S. PATENT DOCUMENTS**

- 3,086,629 A 4/1963 Blitzer
  - D230,013 S 1/1974 Emerson
- (Continued)

**FOREIGN PATENT DOCUMENTS**

- CN 206255377 U 6/2017
- KR 101924434 B1 12/2018
- WO 2020037788 A1 2/2020

**OTHER PUBLICATIONS**

Cheer Pack North America Products: Announced Dec. 20, 2019 [online]. Site Visited [Mar. 19, 2022]. Availalbe from Internet URL: <http://cheerpack.com/index.php/capabilities/products/>.  
(Continued)

*Primary Examiner* — Catherine S Posthauer  
(74) *Attorney, Agent, or Firm* — Harness, Dickey & Pierce, P.L.C.

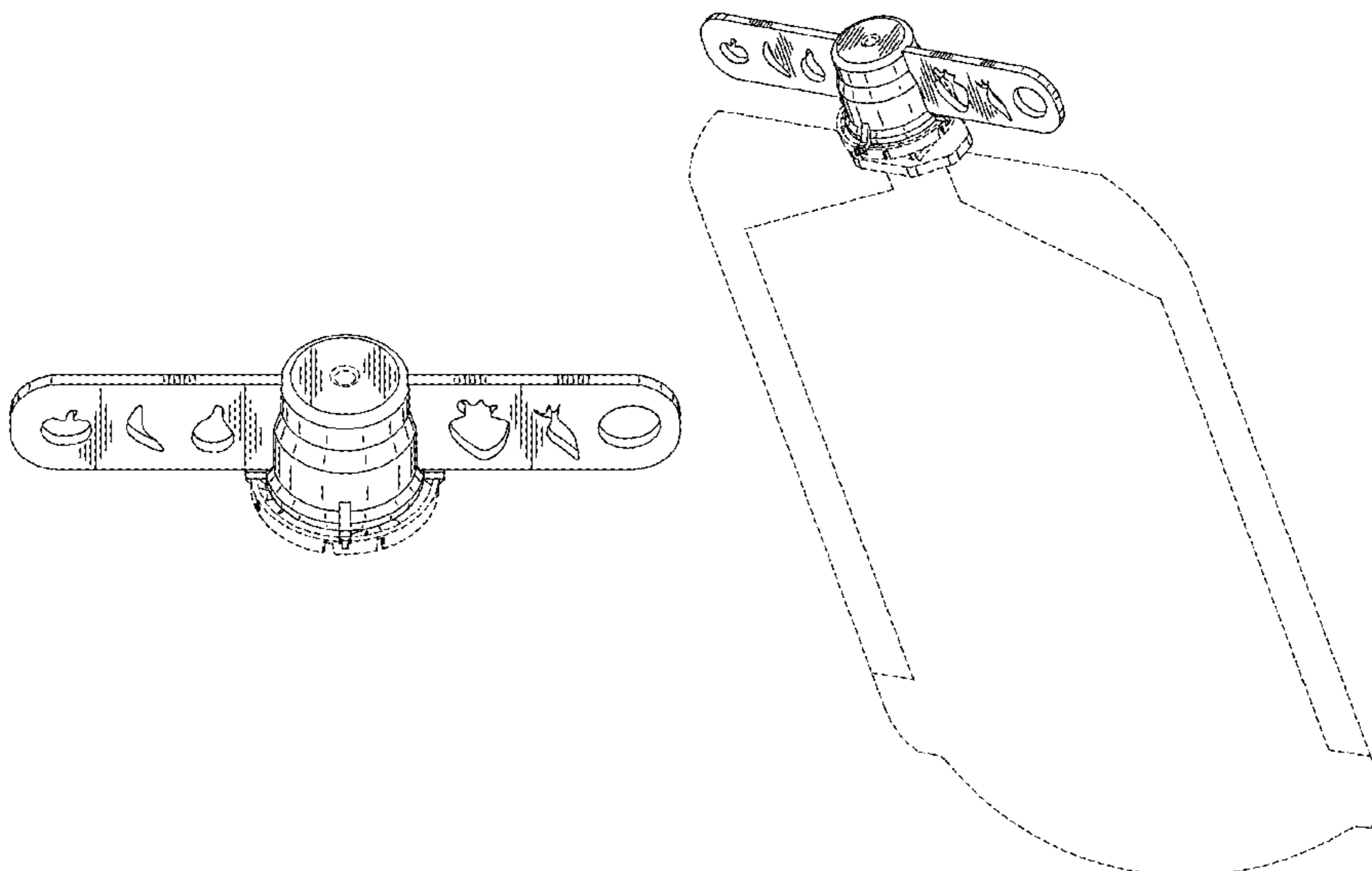
(57) **CLAIM**

The ornamental design for a cap for a pouch, as shown and described.

**DESCRIPTION**

FIG. 1 is a top perspective view of a cap for pouches, showing our new design;  
FIG. 2 is a front perspective view thereof;  
FIG. 3 is a side perspective view thereof;  
FIG. 4 is a front view thereof, the back view being a mirror image thereof;  
FIG. 5 is a right-side view thereof, the left-side view being a mirror image thereof;  
FIG. 6 is a top view thereof;  
FIG. 7 is a bottom view thereof;  
FIG. 8 is a perspective view thereof, showing the cap for a pouch in a position of use with an exemplary pouch;  
FIG. 9 is a front view thereof, the back view being a mirror image thereof;  
FIG. 10 is a right-side view thereof, the left-side view being a mirror image thereof;  
FIG. 11 is a top view thereof; and,  
FIG. 12 is a bottom view thereof.  
The broken lines are shown for the purpose of illustrating both parts of the article as well as environmental subject matter of an exemplary pouch. None of the broken lines form part of the claimed design.

**1 Claim, 7 Drawing Sheets**



(58) **Field of Classification Search**

USPC ..... D23/209, 213, 223, 226, 259, 260, 261;  
 D24/112, 121, 127, 162, 194, 196;  
 D28/4, 76, 79, 80, 81, 82, 84, 85, 87,  
 D28/91.1; D6/542; D11/152  
 CPC ..... B65D 85/8064; B65D 85/8043; B65D  
 77/20; B65D 25/48; B65D 2543/00046;  
 B65D 2543/00092; B65D 2585/56; B65D  
 2585/545; A47J 31/404; A47J 31/04;  
 A47J 31/10; A47J 31/24; A23F 5/24;  
 B05B 11/0032; B05B 11/0027; B05B  
 11/3004; B05B 11/3015; B05B 11/306;  
 B05B 11/3064; B05B 11/3059; B65B  
 29/06; A45D 33/24; A45D 33/26; A45D  
 33/28; A45D 40/00; A45D 40/20; A45D  
 40/24; A45D 40/02; A45D 40/06; A45D  
 40/18; A45D 40/262; A45D 34/00; A45D  
 34/04; A45D 34/06; A45D 34/041

See application file for complete search history.

(56) **References Cited**

U.S. PATENT DOCUMENTS

D294,458 S 3/1988 Wilmott et al.  
 4,764,143 A 8/1988 Gat et al.  
 D322,025 S 12/1991 Funston  
 D547,657 S 7/2007 Tacchella  
 D551,078 S \* 9/2007 Last ..... D9/451  
 D562,683 S 2/2008 Sweeton et al.  
 D600,120 S 9/2009 Kawamura  
 D637,080 S 5/2011 Brooks  
 D679,597 S 4/2013 Tamarindo  
 D681,460 S 5/2013 Kim  
 D682,688 S 5/2013 Murray  
 D682,693 S \* 5/2013 Cocuzzi ..... D9/443  
 8,443,999 B1 5/2013 Reinders  
 D684,055 S 6/2013 Kwon  
 D684,056 S 6/2013 Kwon  
 D684,057 S 6/2013 Kwon  
 D687,719 S \* 8/2013 Last ..... D9/709  
 D693,220 S 11/2013 Luo  
 D704,058 S \* 5/2014 Last ..... D9/451  
 D705,061 S 5/2014 Jo et al.  
 D705,062 S 5/2014 Jo et al.  
 D717,650 S 11/2014 Tamarindo  
 D735,038 S 7/2015 Tamarindo  
 D751,397 S 3/2016 Kim  
 D759,486 S 6/2016 Ingram et al.  
 D770,281 S 11/2016 Kim  
 D775,952 S 1/2017 Kim

D786,672 S \* 5/2017 van Spronsen ..... D9/443  
 D787,328 S \* 5/2017 van der Molen ..... D9/451  
 D787,329 S \* 5/2017 van der Molen ..... D9/451  
 D787,330 S \* 5/2017 van der Molen ..... D9/451  
 D796,326 S 9/2017 Ichikawa et al.  
 D799,322 S \* 10/2017 Tamarindo ..... D9/451  
 9,975,659 B2 5/2018 McConnell et al.  
 D819,442 S 6/2018 Johnson  
 D823,115 S 7/2018 Walker et al.  
 D830,522 S 10/2018 Di Liberto  
 D842,698 S 3/2019 Moriyama et al.  
 D842,699 S 3/2019 Tamarindo  
 D843,215 S 3/2019 Steigelman  
 D853,235 S \* 7/2019 Yao ..... D7/392.1  
 10,472,133 B2 11/2019 Tamarind  
 D871,832 S 1/2020 Marina et al.  
 D872,528 S 1/2020 Hsu  
 D879,611 S \* 3/2020 Friedman ..... D9/443  
 D885,893 S \* 6/2020 Tamarindo ..... D9/451  
 D897,207 S 9/2020 Marino  
 D905,072 S 12/2020 Buzzi  
 D906,108 S 12/2020 Kwon  
 D908,000 S \* 1/2021 Friedman ..... D9/443  
 D908,509 S \* 1/2021 Haskins ..... D9/708  
 D913,093 S \* 3/2021 Van Den Hoonaard .....  
 B65D 81/361  
 D9/443

D915,197 S 4/2021 Katano et al.  
 D930,472 S \* 9/2021 Friedman ..... D9/443  
 2004/0000550 A1 1/2004 Taccolini et al.  
 2012/0211460 A1 8/2012 Tamarindo  
 2013/0175274 A1 7/2013 Kim  
 2013/0213927 A1 8/2013 Hendrickson et al.  
 2015/0144362 A1 5/2015 Thompson  
 2015/0144632 A1 5/2015 Tamarindo et al.  
 2016/0272380 A1 9/2016 Mazurkiewicz et al.  
 2018/0170626 A1 6/2018 Kwon

OTHER PUBLICATIONS

Go Go Squeez Review: Announced Mar. 4, 2014 [online]. Site Visited [Mar. 19, 2022]. Available from Internet URL: <https://www.twiversity.com/2014/03/gogo-squeez-review/>.  
 Cheer Pack Caps: Announced Jun. 8, 2019 [online]. Site Visited [Dec. 13, 2021] Available from Internet URL <http://cheerpack.com/index.php/capabilities/products/>.  
 Dow Flexible Packaging Caps: Announced Oct. 3, 2016 [online]. Site Visited [Dec. 13, 2021]. Available from Internet U R L: <https://www.flexpackmag.com/articles/88386-innovative-closure-resins-by-dow-offer-resource-for-cap-and-closure-technology>.  
 Extended European Search Report regarding Application No. 21205475.3, dated Apr. 4, 2022.

\* cited by examiner

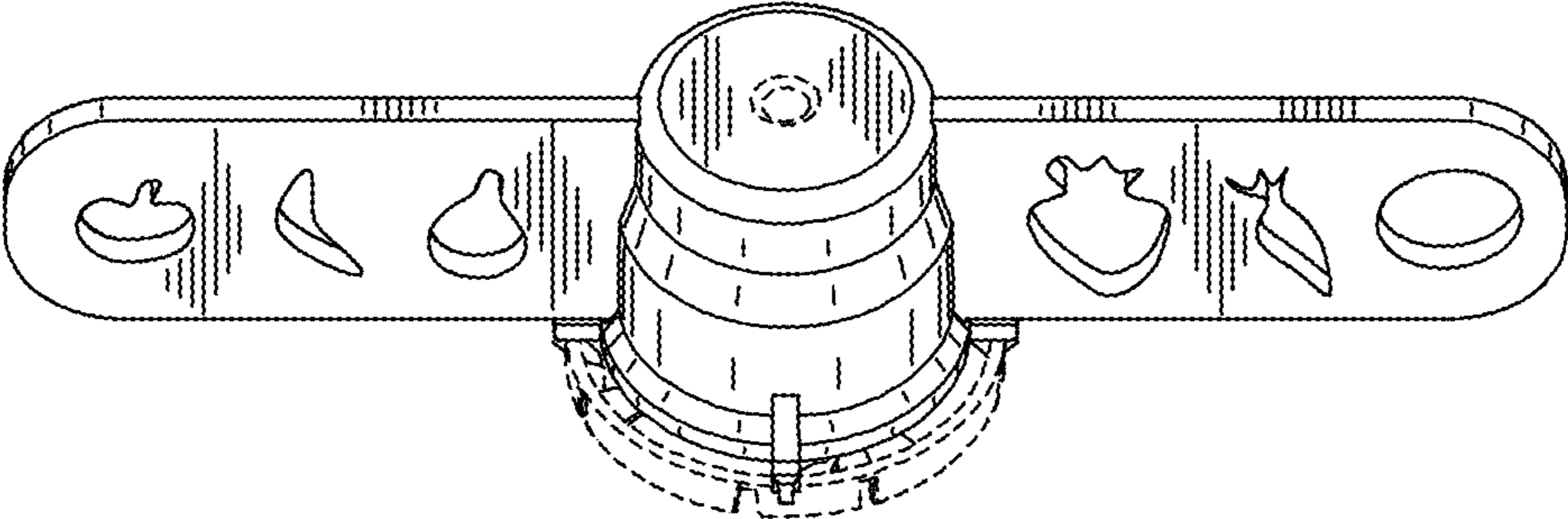


FIG. 1

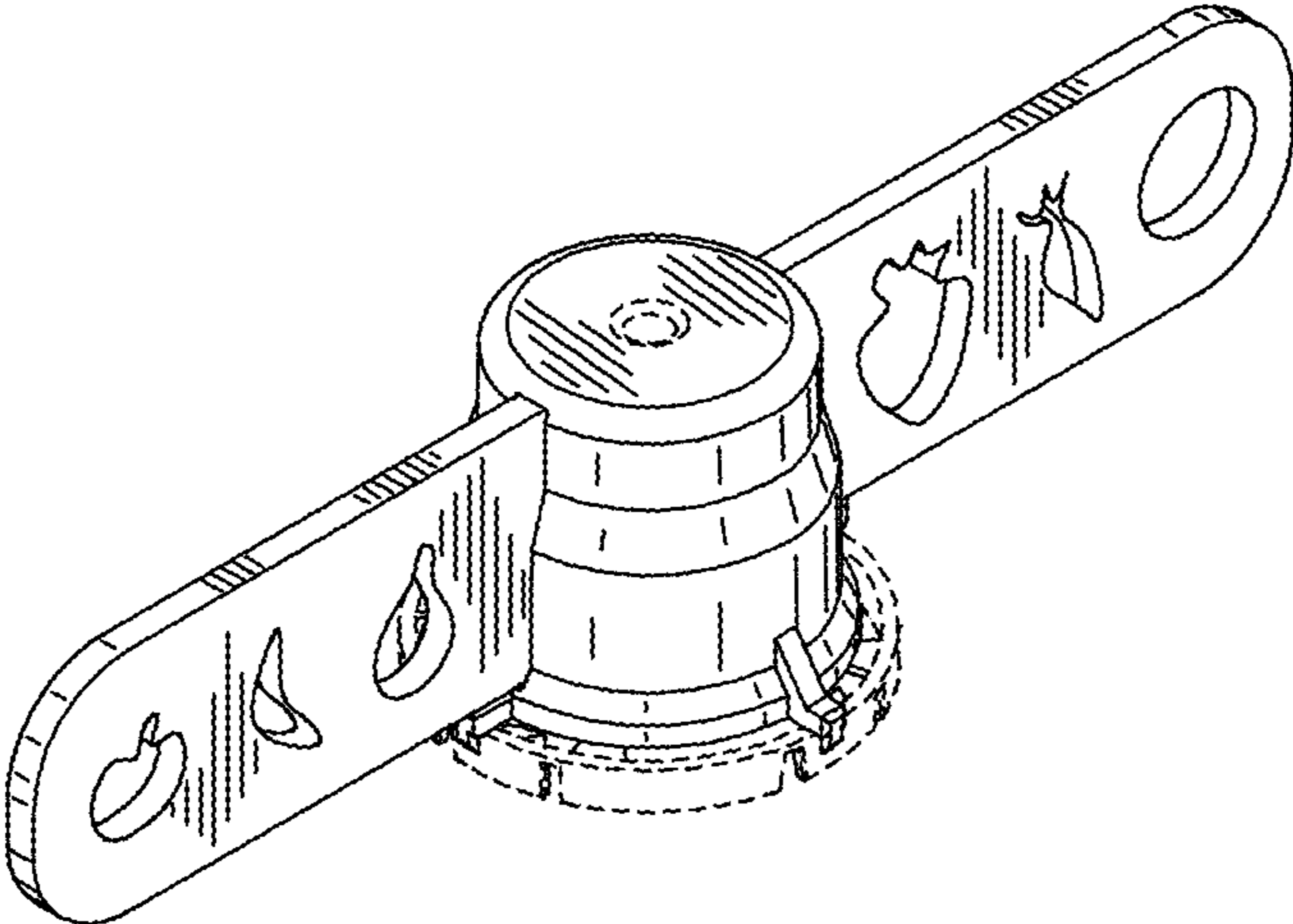


FIG. 2

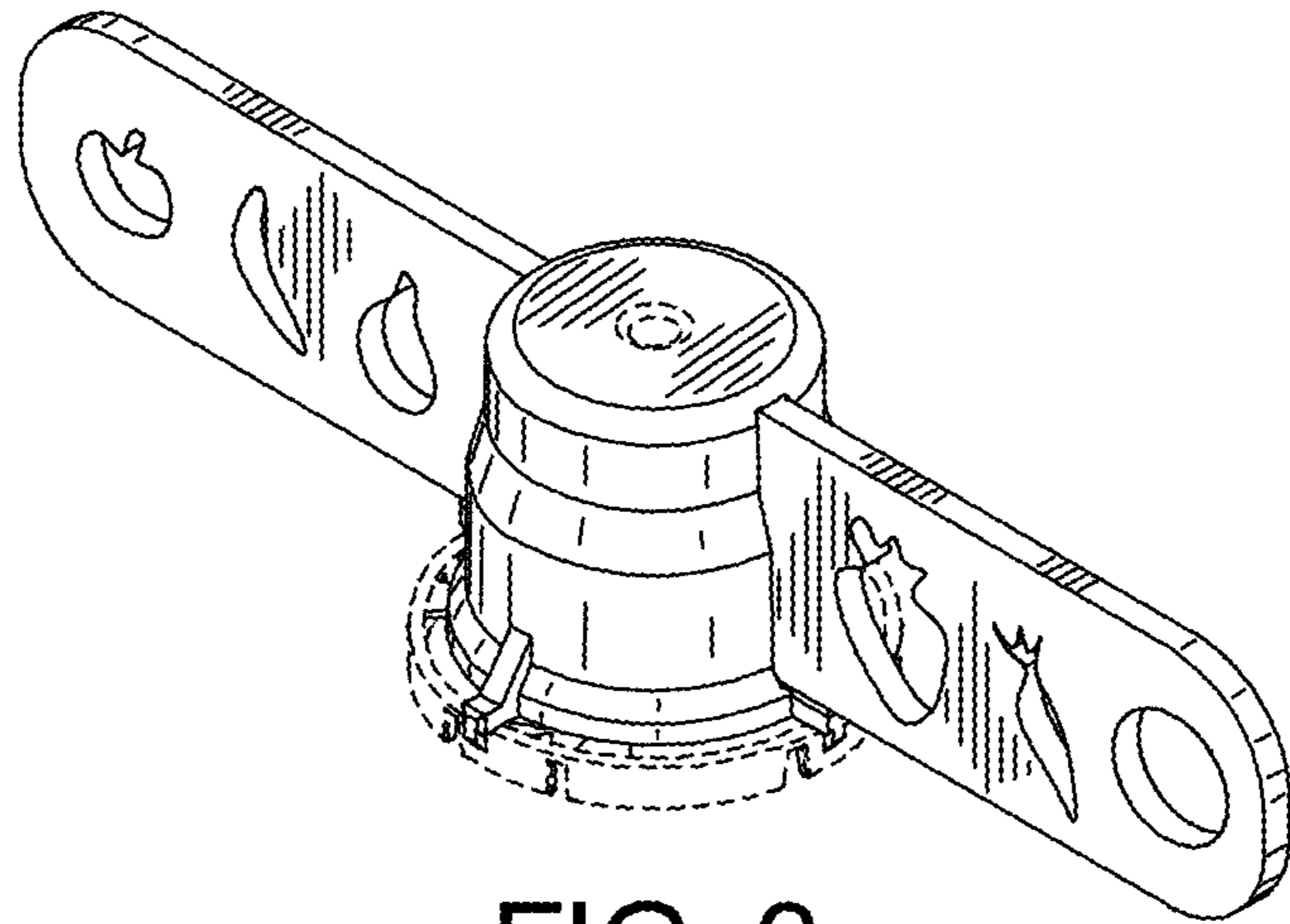


FIG. 3

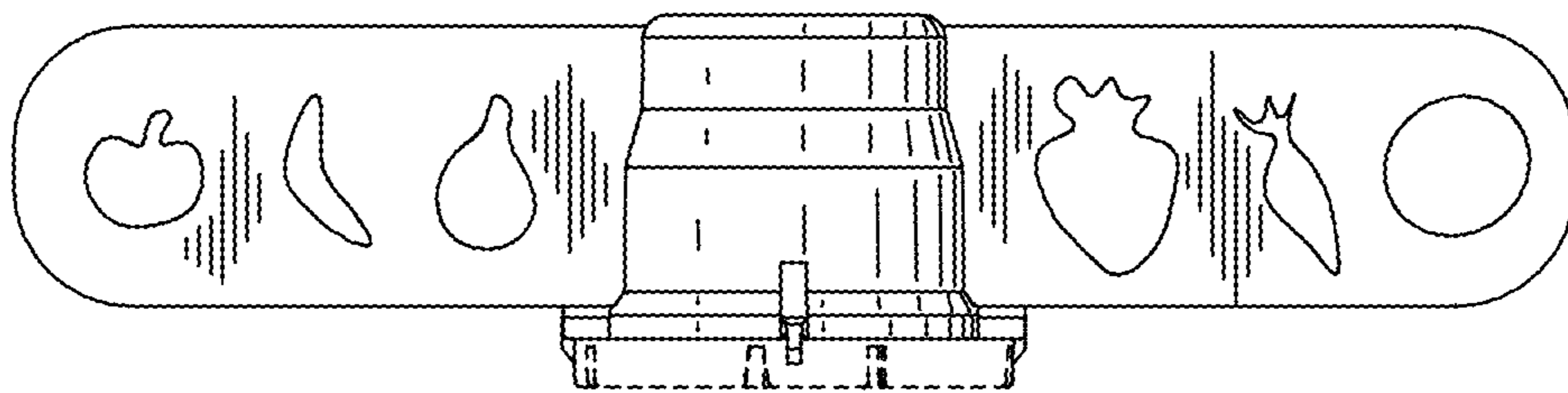


FIG. 4

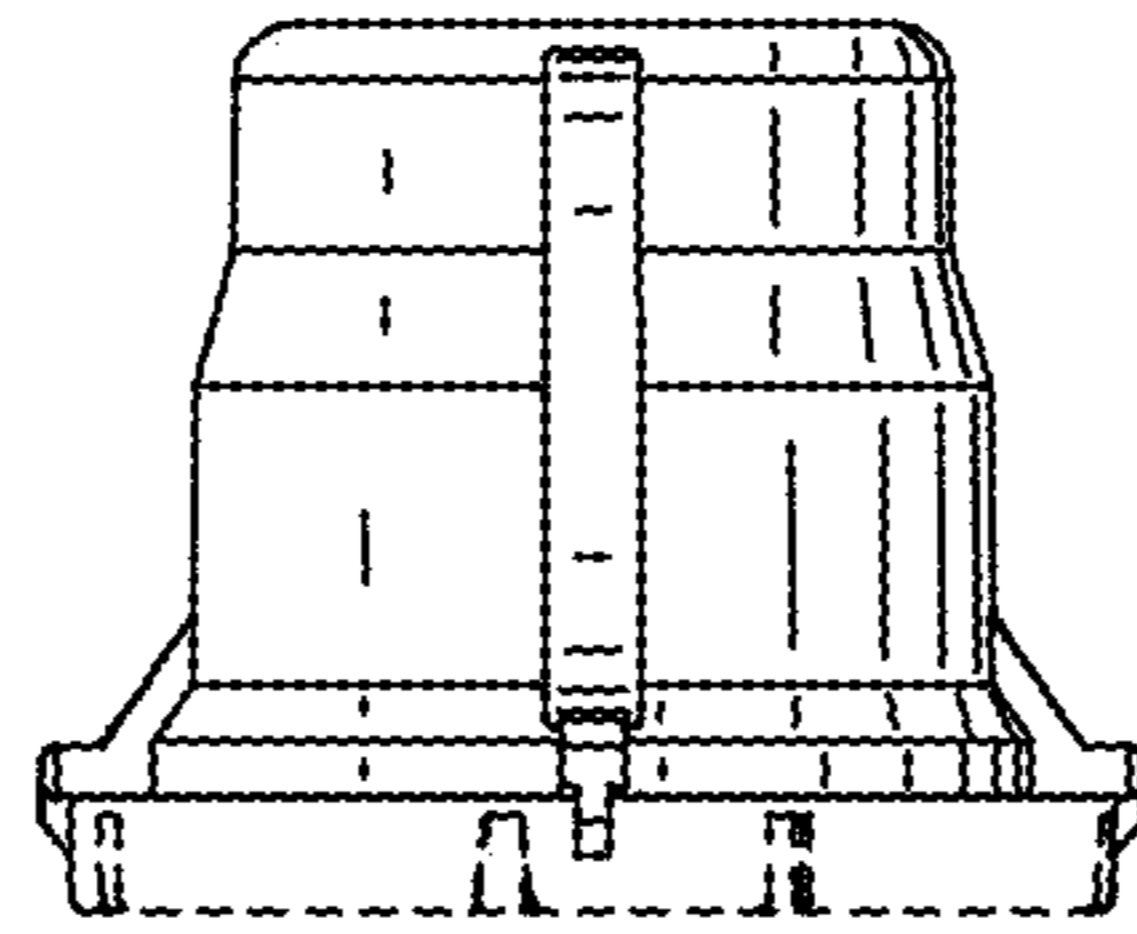


FIG. 5

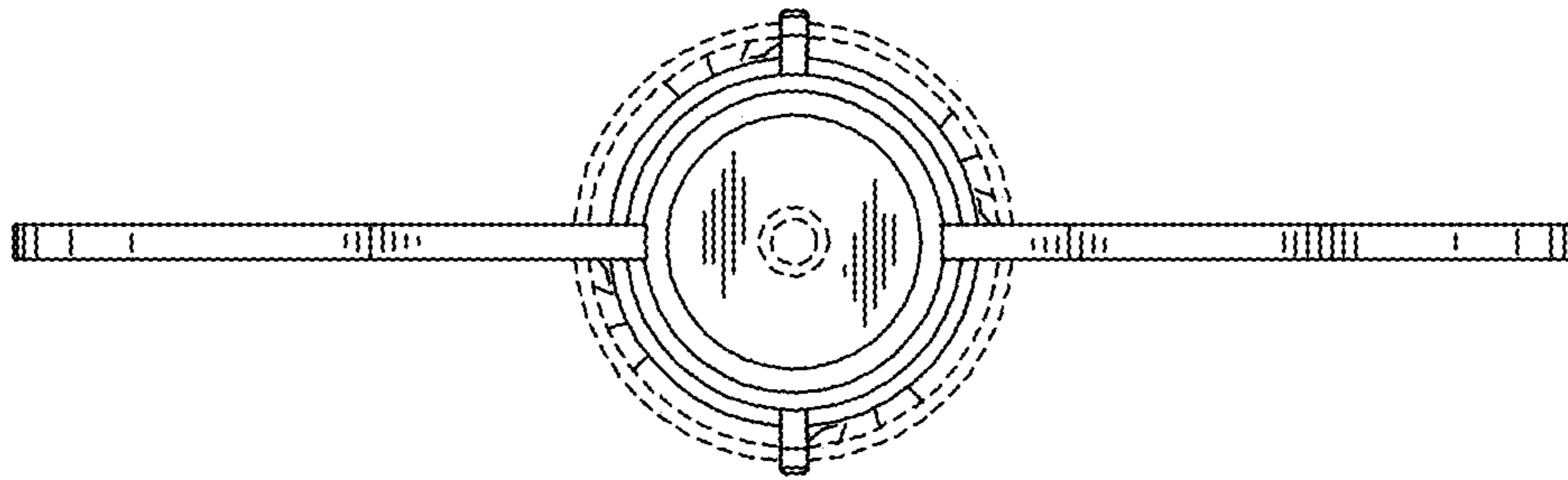


FIG. 6

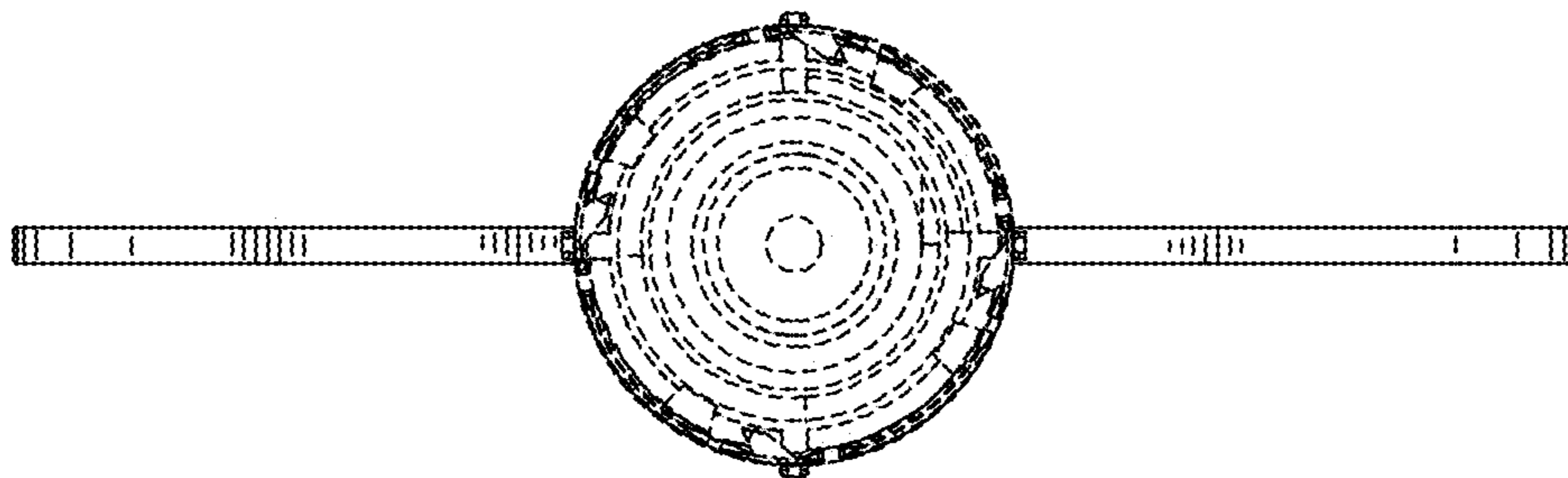


FIG. 7

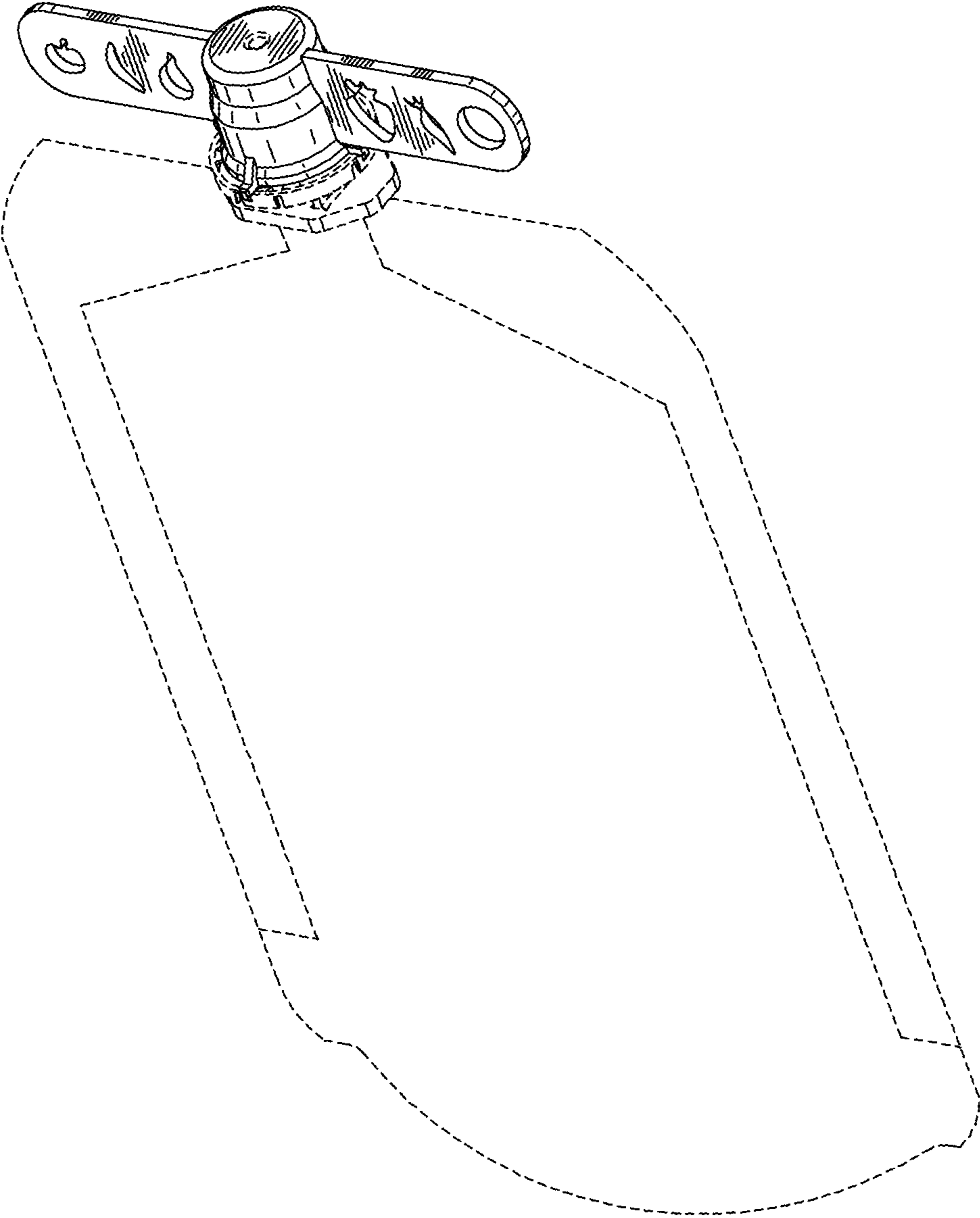


FIG. 8

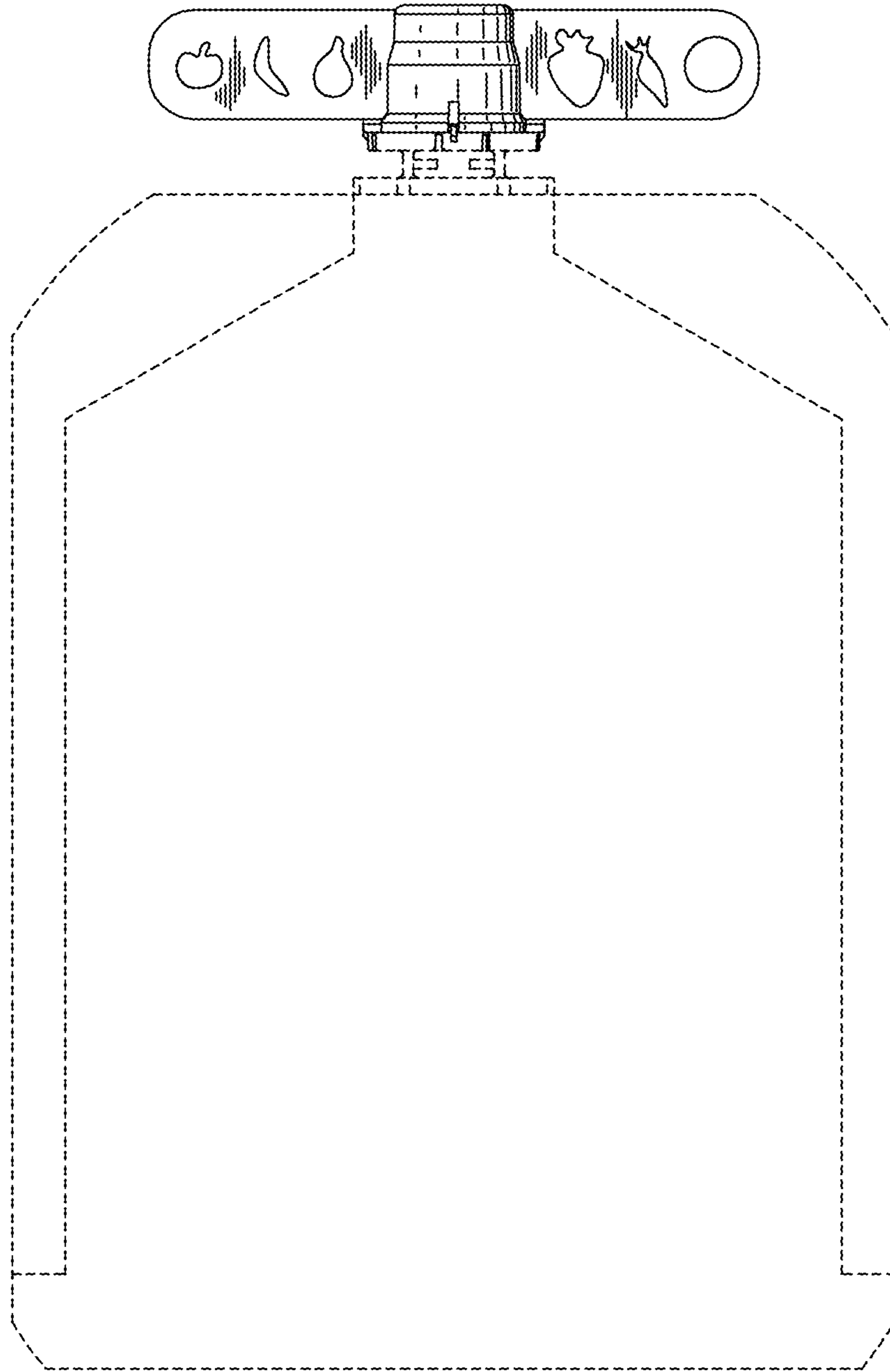


FIG. 9

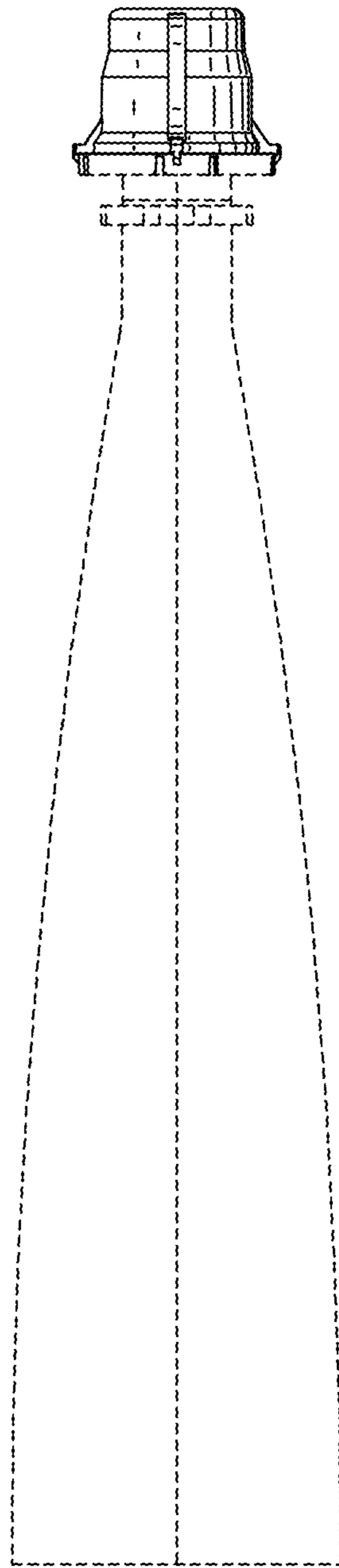


FIG. 10



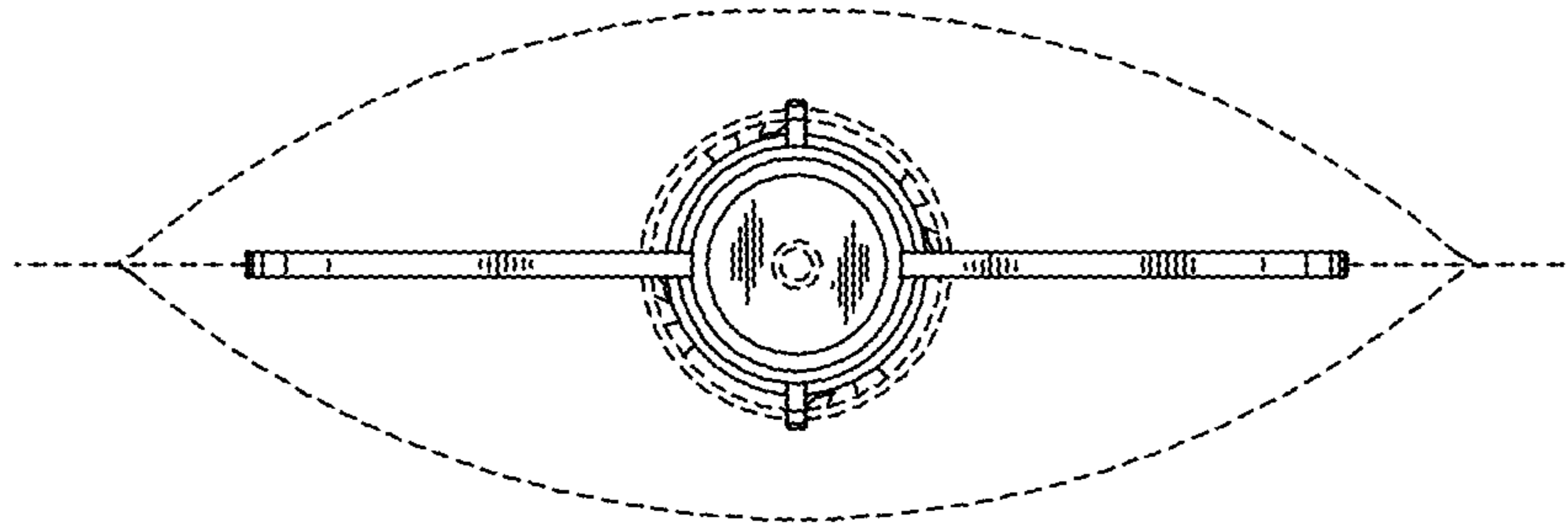


FIG. 11

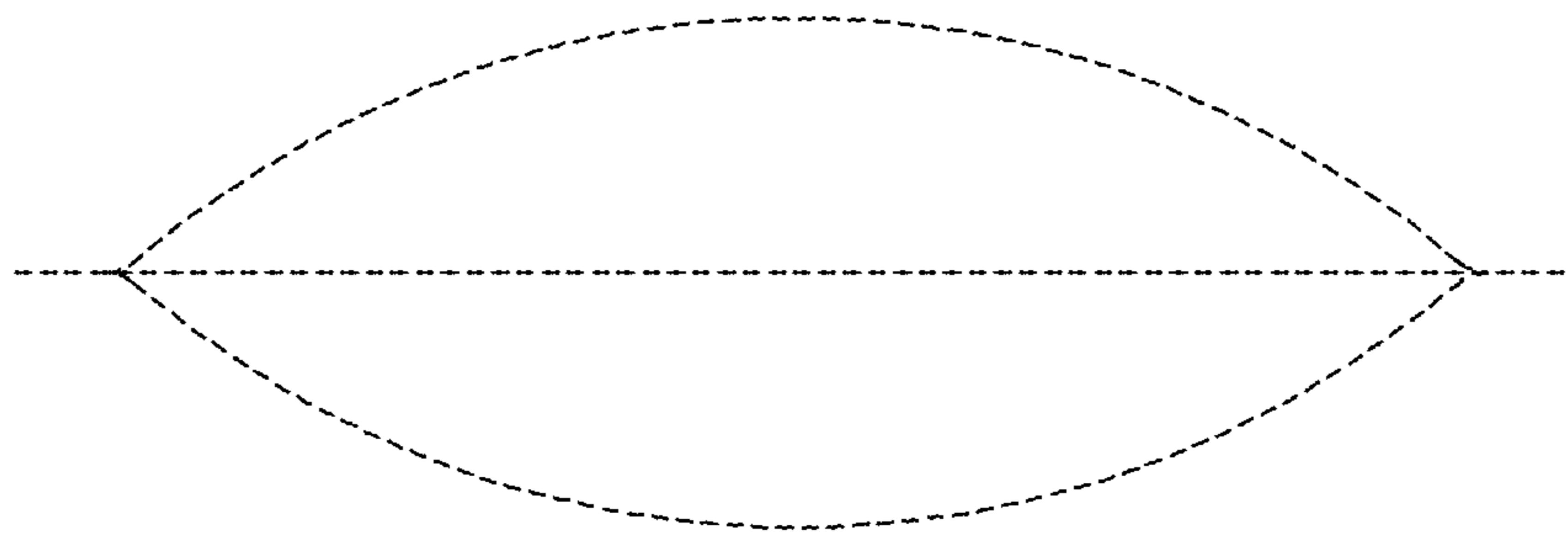


FIG. 12