



US00D971727S

(12) **United States Design Patent** (10) **Patent No.:** **US D971,727 S**
Yang (45) **Date of Patent:** **** Dec. 6, 2022**

(54) **FOOD STORAGE CONTAINER**
(71) Applicant: **Teng Fu Yang**, Taichung (TW)
(72) Inventor: **Teng Fu Yang**, Taichung (TW)
(73) Assignee: **EASYPACK ENTERPRISE CO., LTD.**, Taichung (TW)
(**) Term: **15 Years**
(21) Appl. No.: **29/753,579**
(22) Filed: **Oct. 1, 2020**
(51) **LOC (13) Cl.** **09-07**
(52) **U.S. Cl.**
USPC **D9/443; D9/446**
(58) **Field of Classification Search**
USPC D9/416, 419, 420, 425, 426, 429, 434, D9/435, 436, 438, 446, 449, 452, 453, D9/454, 499, 443; D7/387, 392.1, 396.2, D7/396.3, 601, 602, 622, 704, 705, 708.1
CPC B65D 43/02; B65D 1/22; B65D 43/0254
See application file for complete search history.

D249,237 S * 9/1978 Limon D9/425
4,537,326 A * 8/1985 Morehead B65D 25/00
222/541.9
D282,721 S * 2/1986 Cameron, Jr. D9/425
(Continued)

OTHER PUBLICATIONS

EcoQuality. 16 oz Tamper-Resistant Clear Hinged Container with Flat Lid. Publication date unavailable. Visited Aug. 5, 2022. <https://ecoqualityinc.com/products/copy-of-16-oz-tamper-resistant-clear-hinged-container-with-flat-lid> (Year: 0).*
(Continued)

Primary Examiner — Darcey E Gottschalk
Assistant Examiner — Vanessa M. Pursley
(74) *Attorney, Agent, or Firm* — Sinorica LLC

(57) **CLAIM**

The ornamental design for a food storage container, as shown and described.

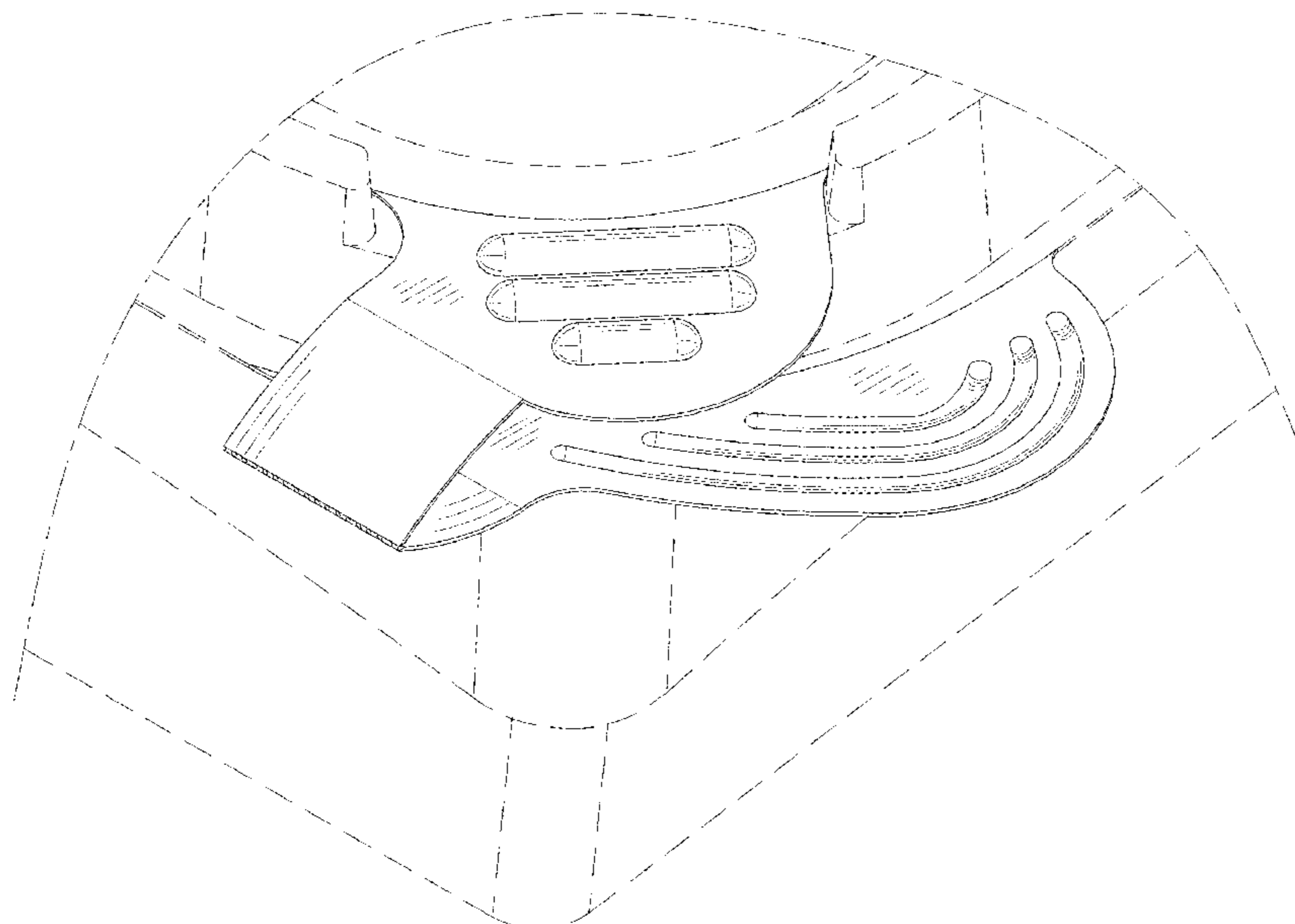
DESCRIPTION

FIG. 1 is a perspective view of a food storage container in accordance with the present invention;
FIG. 2 is an enlarged front top perspective view thereof;
FIG. 3 is an enlarged rear top perspective view thereof;
FIG. 4 is an enlarged front bottom perspective view thereof;
FIG. 5 is an enlarged rear bottom perspective view thereof;
FIG. 6 is a front view thereof;
FIG. 7 is a rear view thereof;
FIG. 8 is a left view thereof;
FIG. 9 is a right view thereof;
FIG. 10 is a top view thereof; and,
FIG. 11 is a bottom view thereof.
In the drawings, the evenly-spaced broken lines show portions of a food storage container that form no part of the claim; the dash-dot-dash lines represent the frame of the enlarged view and form no part thereof.

(56) **References Cited**
U.S. PATENT DOCUMENTS

D3,359 S * 2/1869 Pratt D9/434
D140,415 S * 2/1945 Wise D9/434
D189,597 S * 1/1961 Harris D9/454
D198,723 S * 7/1964 Hampton D9/443
D198,819 S * 8/1964 Jackson D9/443
D198,874 S * 8/1964 Joosten D9/443
D200,610 S * 3/1965 Fill D9/443
D204,508 S * 4/1966 Brockett D9/453
D211,158 S * 5/1968 Yates D9/443
3,416,688 A * 12/1968 Fanning A01K 97/04
D9/446
D239,307 S * 3/1976 Sawyer D9/426
D249,234 S * 9/1978 Limon D9/425
D249,235 S * 9/1978 Limon D9/425

1 Claim, 11 Drawing Sheets



(56)

References Cited

U.S. PATENT DOCUMENTS

D345,889	S *	4/1994	Herricks	D7/392.1
D388,325	S *	12/1997	Tucker	D9/425
D411,741	S *	6/1999	Wilson	D9/425
D428,310	S *	7/2000	Zettle	D7/629
D448,991	S *	10/2001	Zettle	D9/425
D484,412	S *	12/2003	Willis	D7/392.1
D485,470	S *	1/2004	Willis	D9/542
D589,759	S *	4/2009	Ozery	D7/629
D598,282	S *	8/2009	Abrahamsson	D9/424
D605,936	S *	12/2009	Durdon	A01K 97/04 D9/425
D632,562	S *	2/2011	Toms	D9/434
D640,553	S *	6/2011	Eiteljorg	D9/443
D679,583	S *	4/2013	Wada	D9/420
D681,447	S *	5/2013	Schulter	D9/426
D694,616	S *	12/2013	Prevost	B65D 25/00 D9/420
D826,632	S *	8/2018	Breit	D8/395
2022/0089334	A1 *	3/2022	Yang	B65D 43/0254

OTHER PUBLICATIONS

Amazon. Karat 32 oz PET Tamper Resistant Hinged Salad Bowl with Dome Lid. First available Aug. 23, 2019. Visited Aug. 5, 2022. <https://www.amazon.com/Karat-Tamper-Resistant-Hinged-Salad/dp/B07WVFXBFK> (Year: 2019).*

SupplyBox. Tamper Evident Containers. Publication date unavailable. Visited Aug. 5, 2022. <https://supplybox.ca/tamper-evident-containers/> (Year: 0).*

Webstaurant Store. Polar Pak Clear Tamper-Evident, Tamper Resistant 48 oz Round Bowl with Lid. Publication date unavailable. Visited Aug. 5, 2022. <https://www.webstaurantstore.com/polar-pak-5hgr048-tv-f-clear-tamper-visible-48-oz-round-bowl-with-lid-pack/9995HGR048TV.html> (Year: 0).*

* cited by examiner

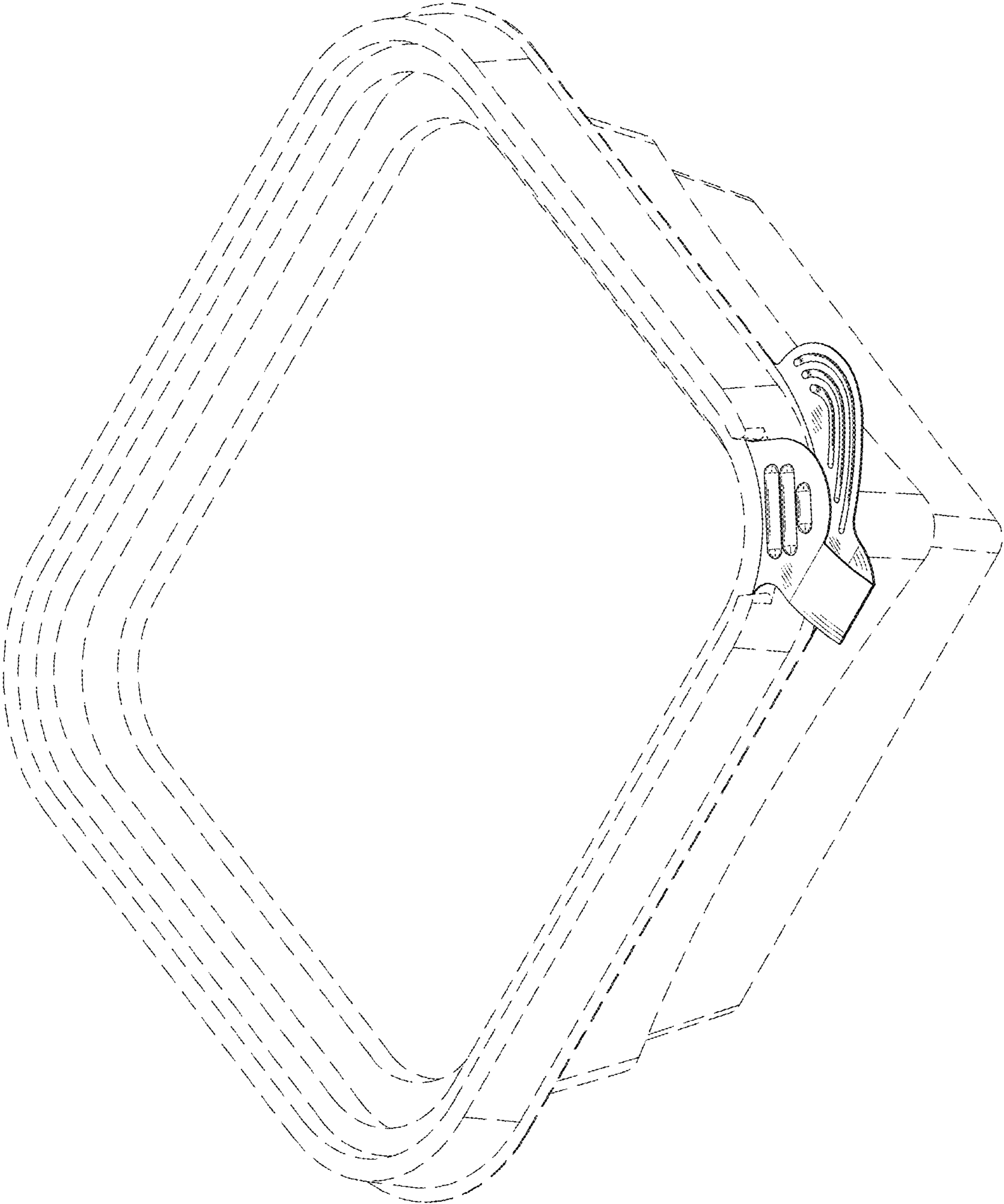


FIG. 1

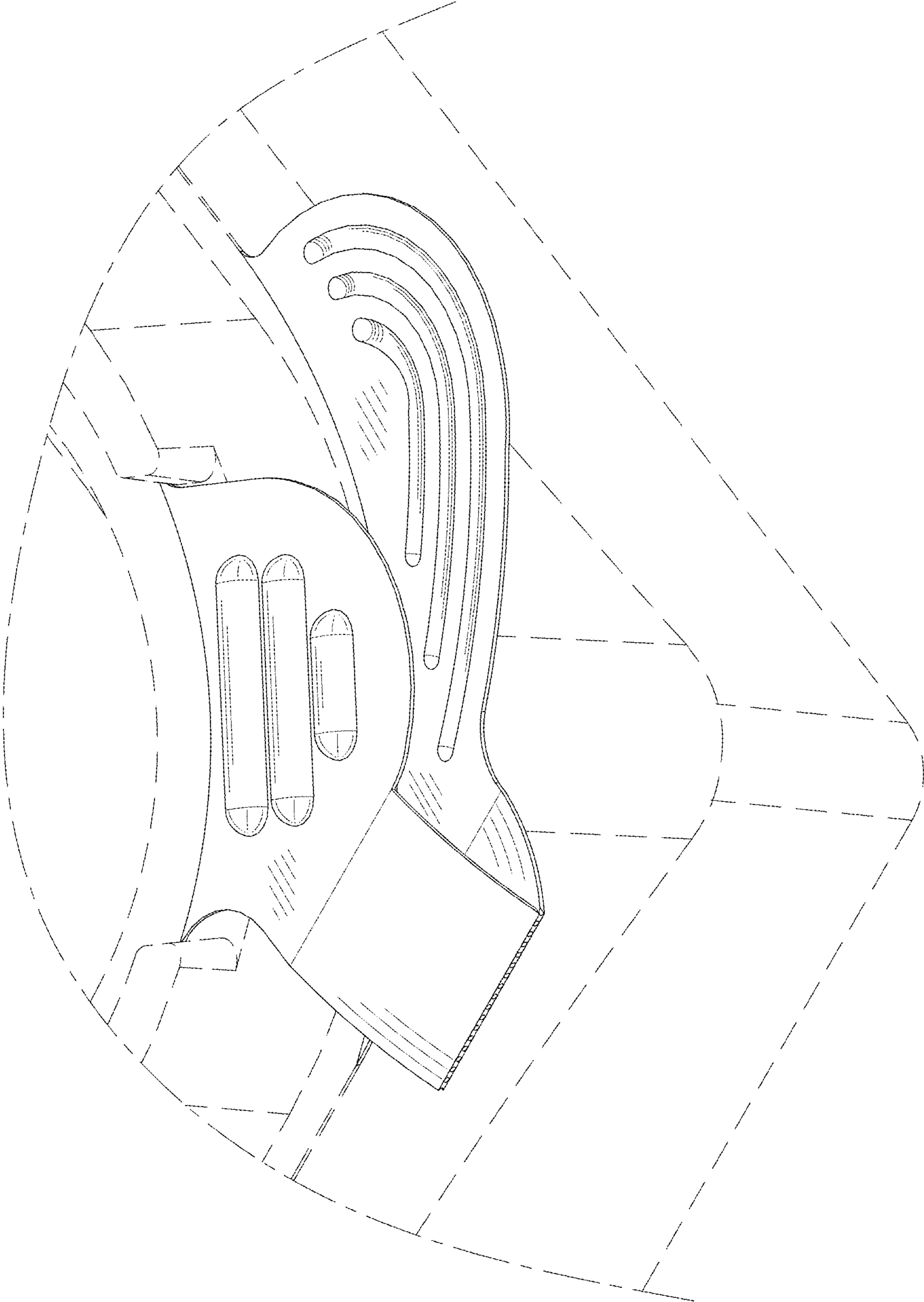


FIG. 2

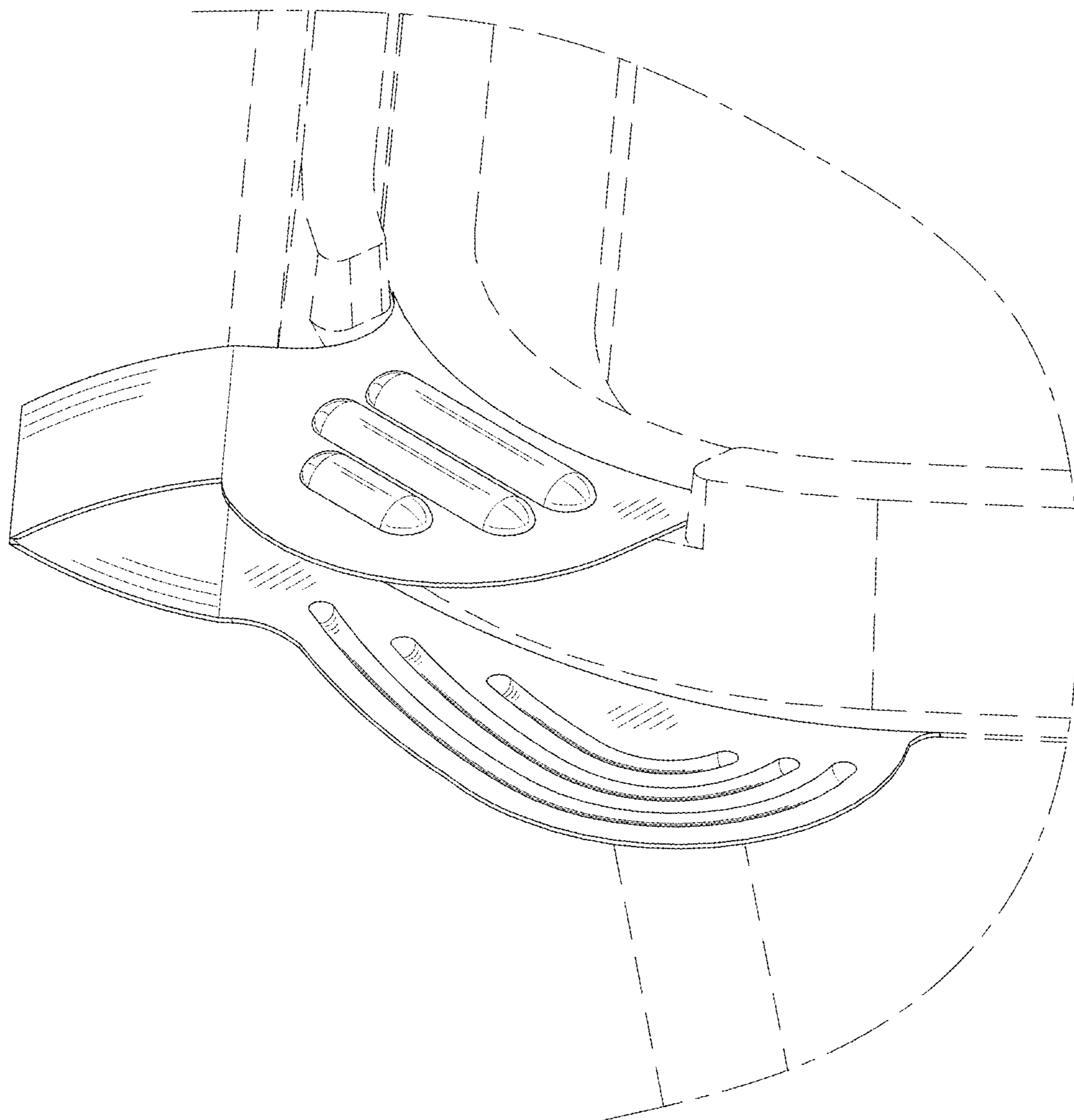


FIG. 3

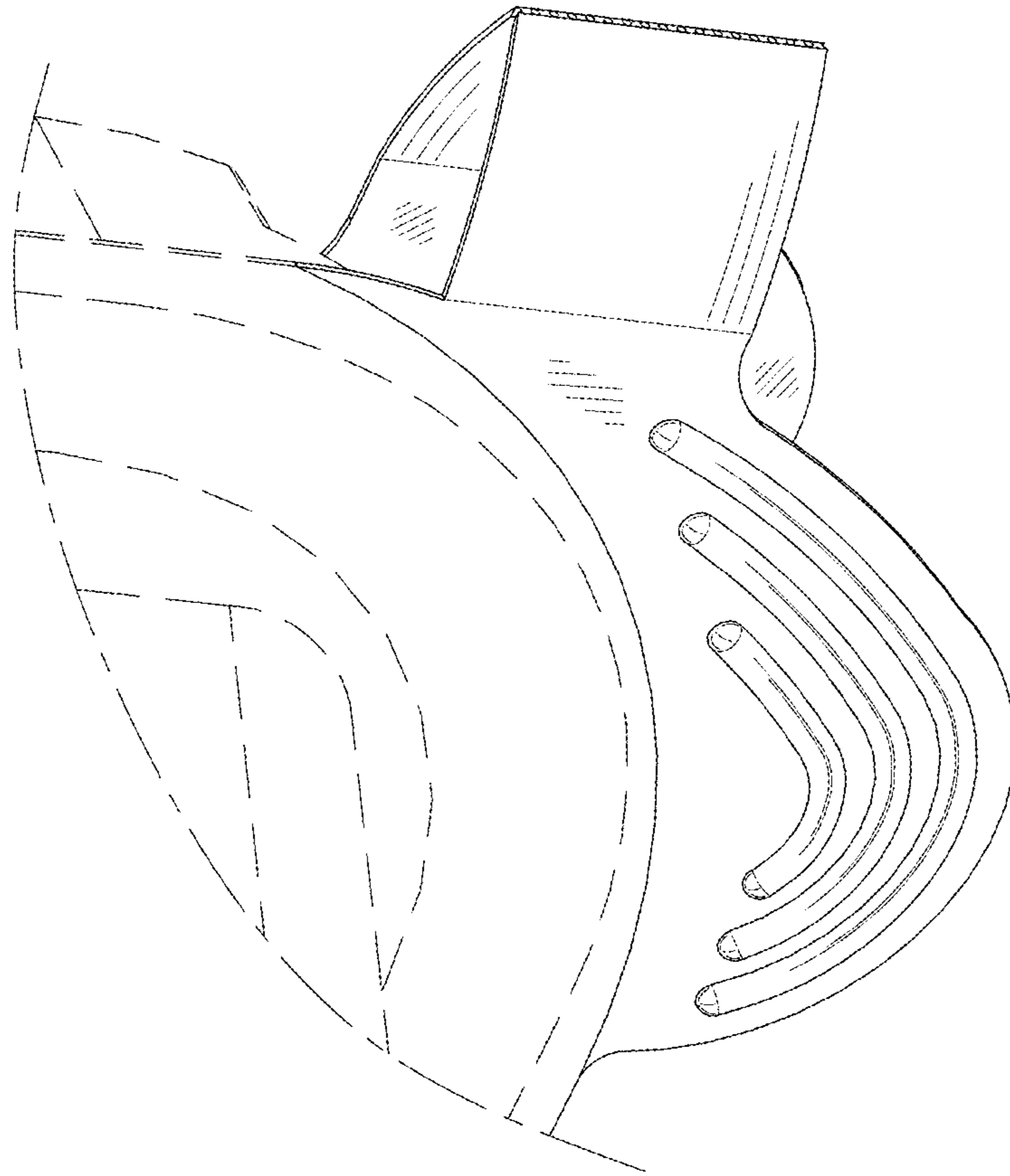


FIG. 4

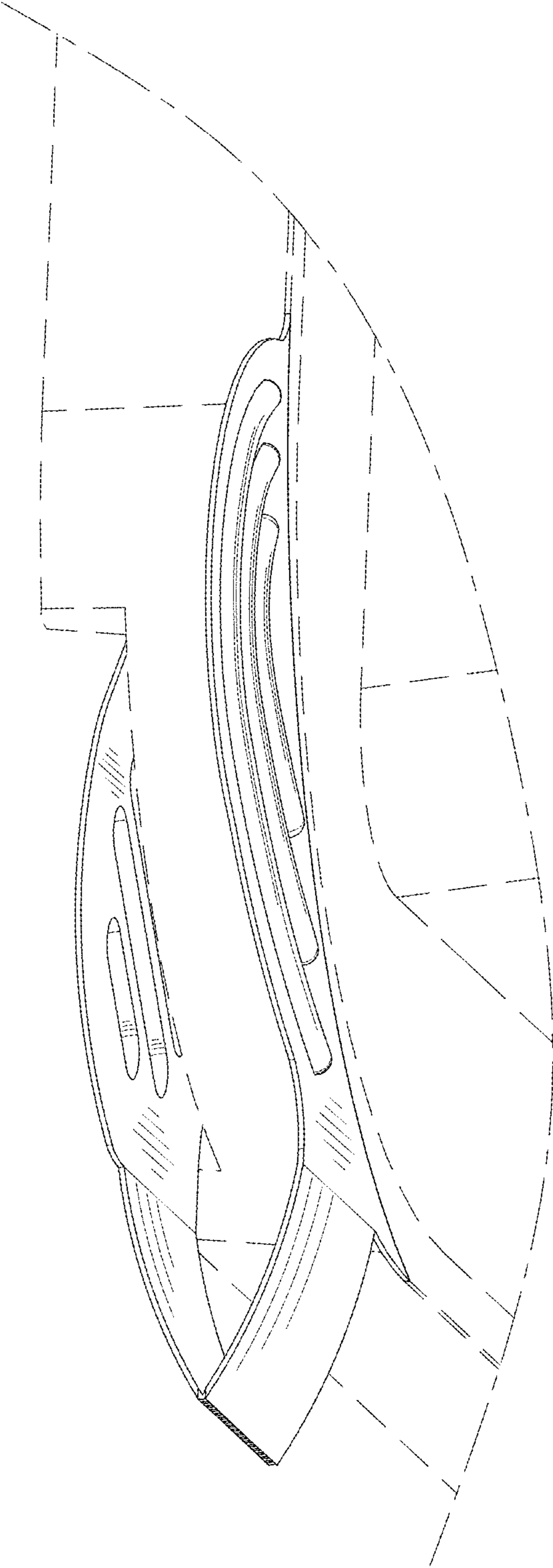


FIG. 5

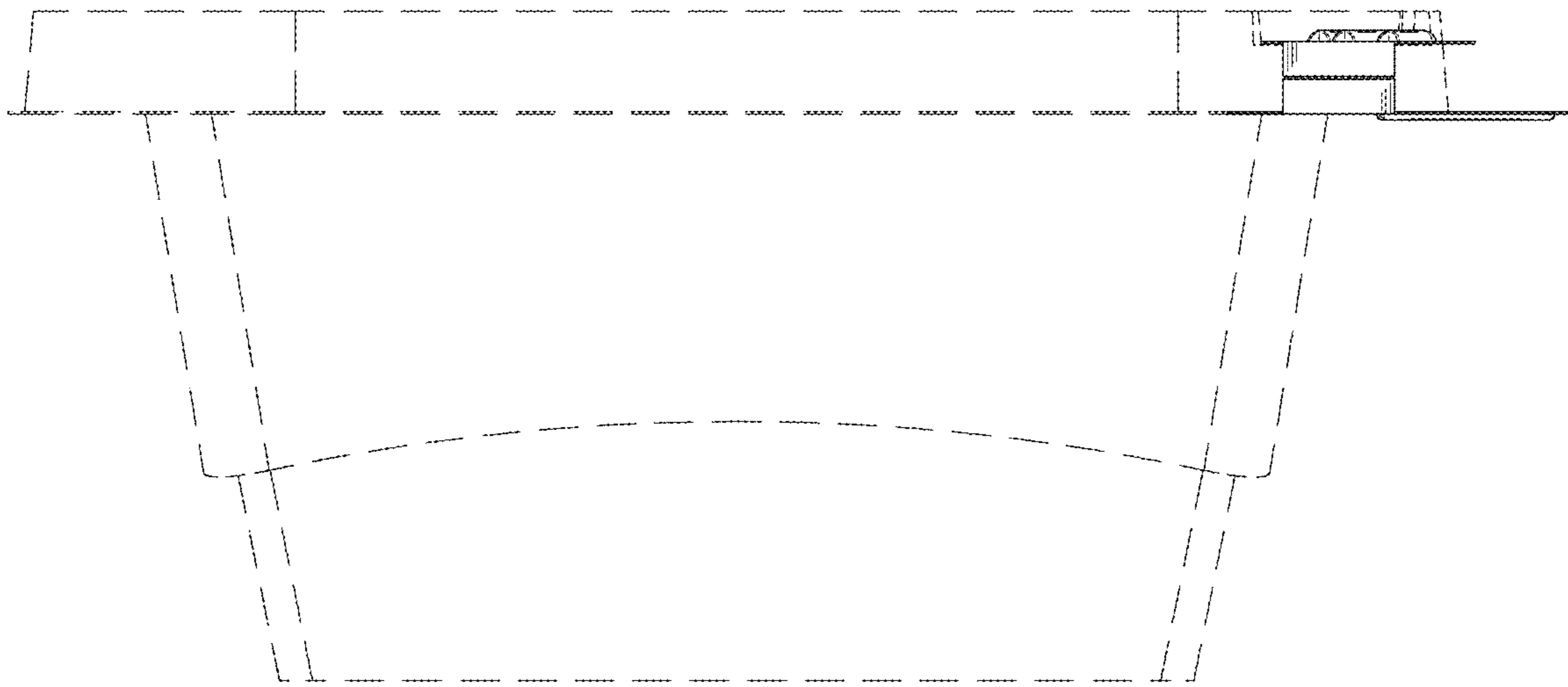


FIG. 6

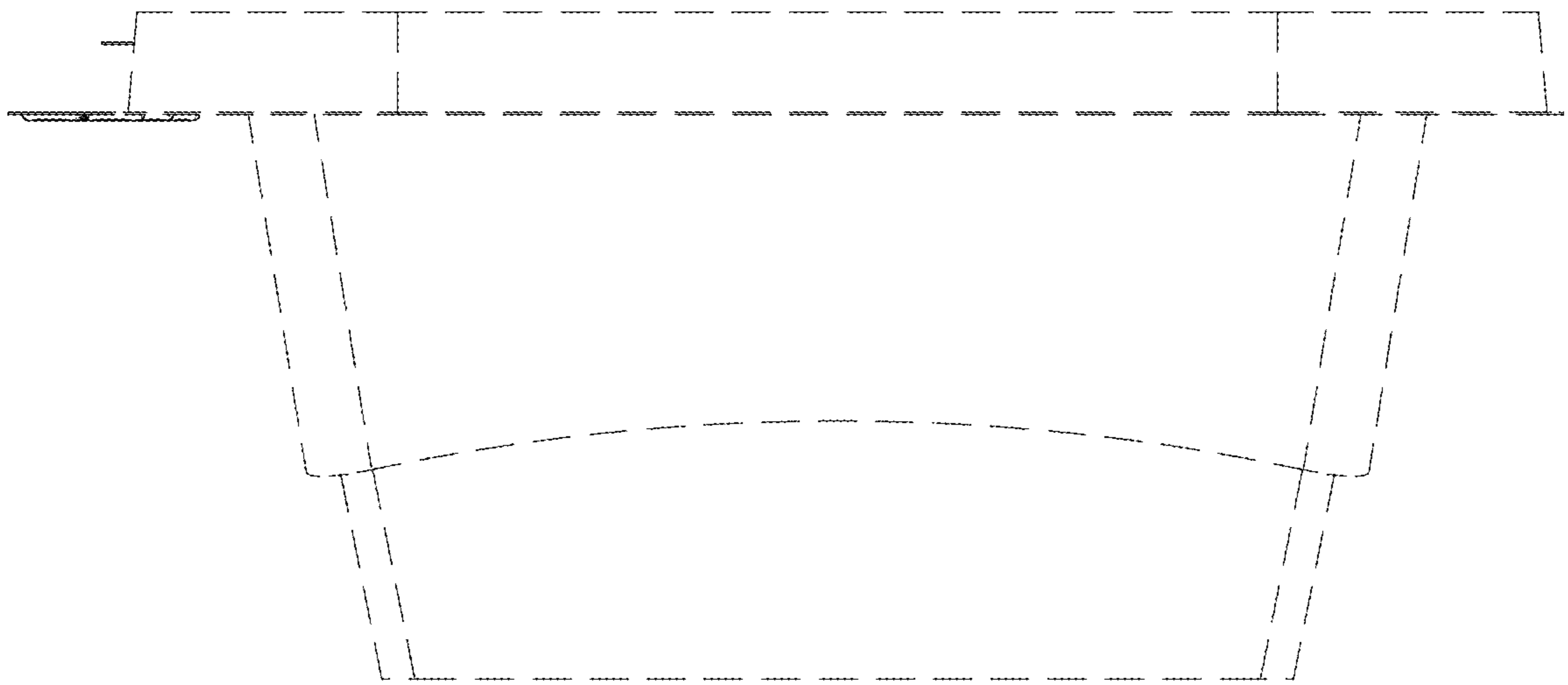


FIG. 7

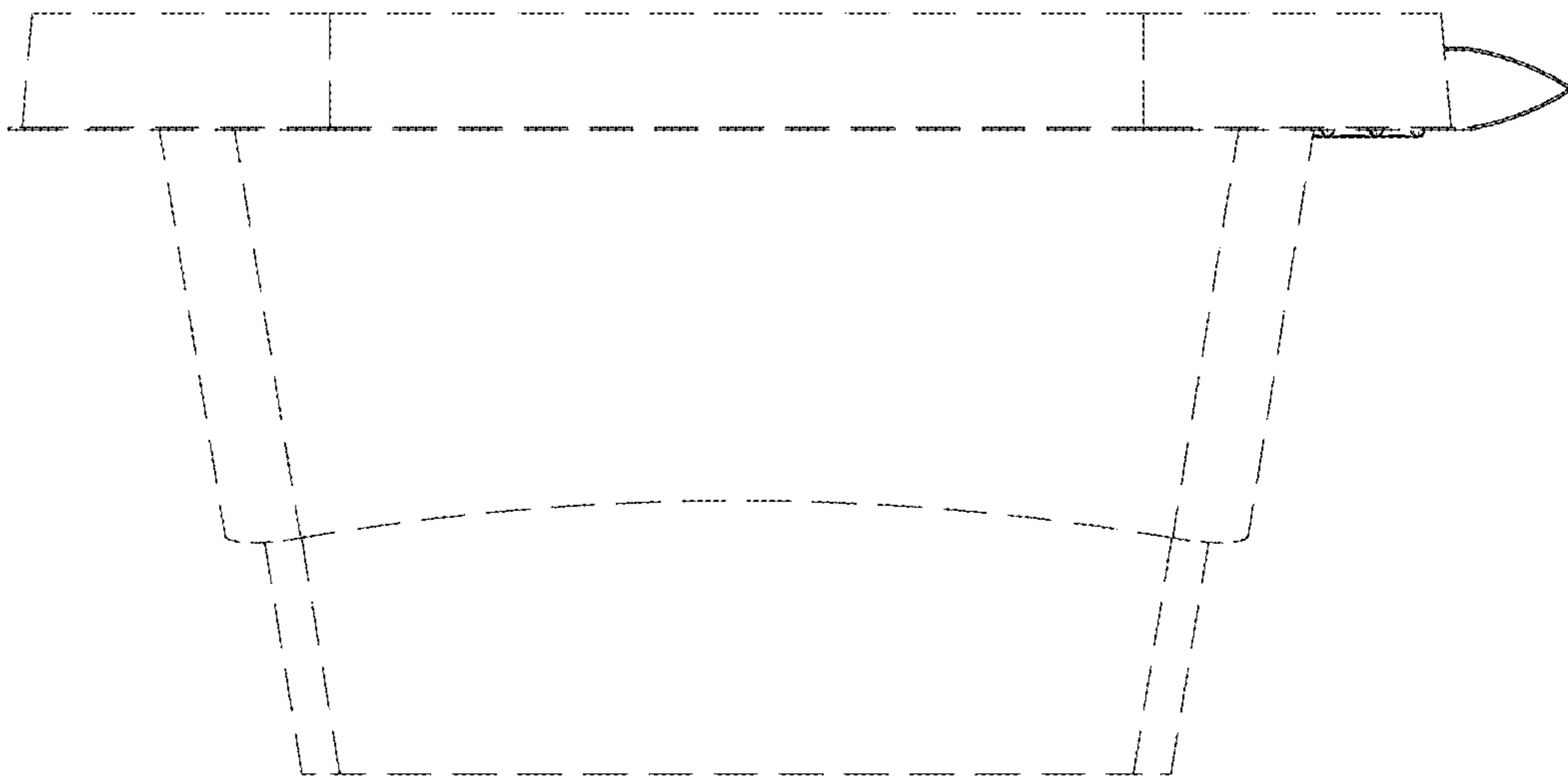


FIG. 8

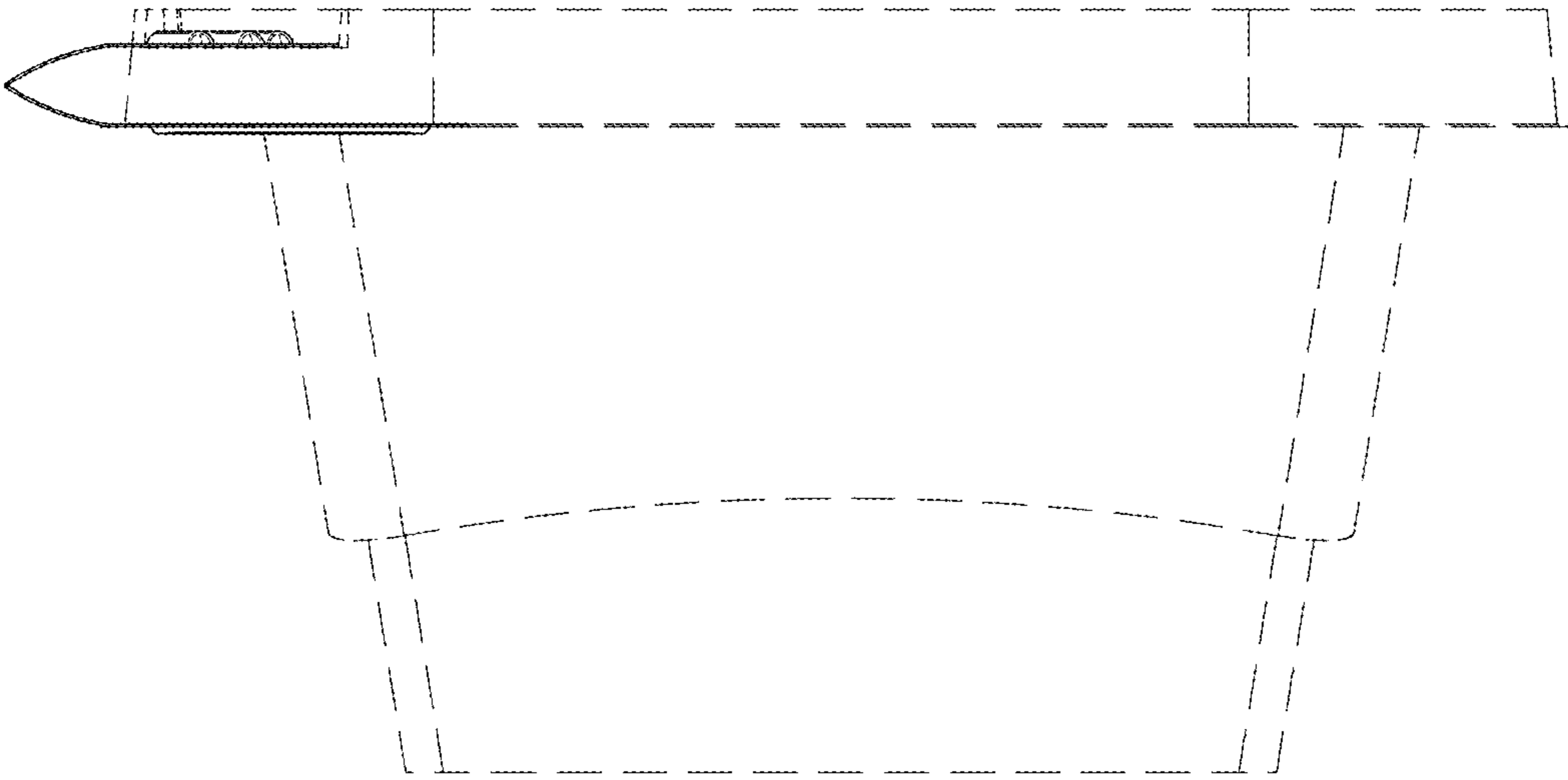


FIG. 9

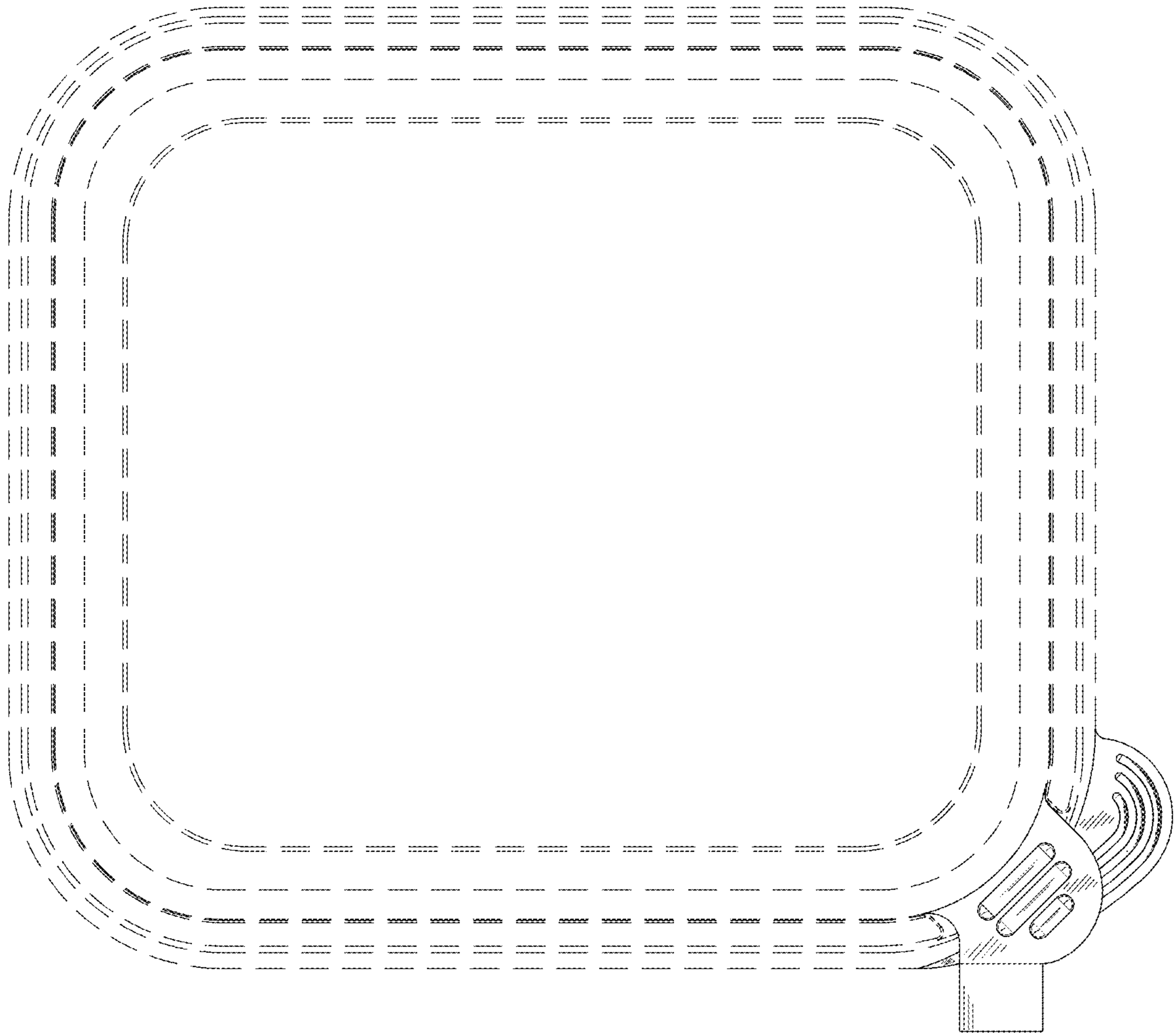


FIG. 10

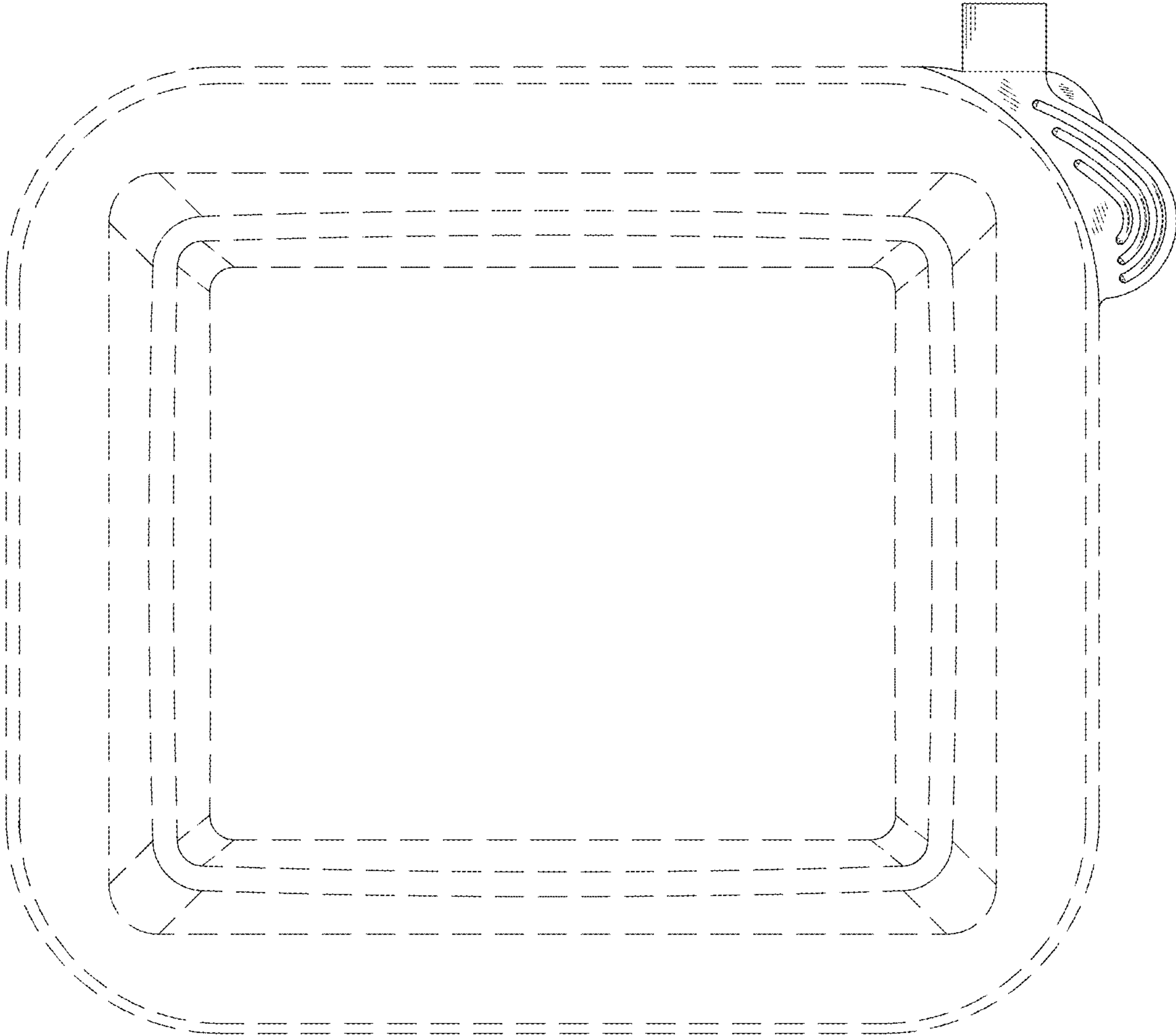


FIG. 11