



US00D971726S

(12) **United States Design Patent**
Hua

(10) **Patent No.: US D971,726 S**

(45) **Date of Patent: ** *Dec. 6, 2022**

(54) **STOPPER**

(71) Applicant: **True Fabrications, Inc.**, Seattle, WA
(US)

(72) Inventor: **Lovina Hsin-I Hua**, Bellevue, WA
(US)

(73) Assignee: **TRUE FABRICATIONS, INC.**,
Seattle, WA (US)

(*) Notice: This patent is subject to a terminal dis-
claimer.

(**) Term: **15 Years**

(21) Appl. No.: **29/636,737**

(22) Filed: **Feb. 10, 2018**

(51) **LOC (13) Cl.** **07-06**

(52) **U.S. Cl.**
USPC **D9/439; D9/452**

(58) **Field of Classification Search**
USPC D9/434, 435, 439, 440, 442-450,
D9/452-457, 499, 503-505, 682, 685,
D9/686; D7/387, 391, 392, 392.1, 396.1,
D7/396.2, 507, 509-511, 538, 900;
D3/202, 203.2, 294, 318; D28/91, 91.1
CPC .. A61J 1/00; A61J 1/1412; B65D 1/00; B65D
1/02; B65D 1/10; B65D 1/46; B65D
5/46; B65D 41/00; B65D 41/38; B65D
41/56; B65D 41/62; B65D 47/00; B65D
47/06; B65D 47/08; B65D 2251/00;
B65D 2543/00046; B65D 2543/00092;
B65D 2543/00296

See application file for complete search history.

(56) **References Cited**

U.S. PATENT DOCUMENTS

D22,701 S * 8/1893 McGill D9/425
2,044,914 A * 6/1936 Miller B65D 39/08
215/356

D240,021 S * 5/1976 Lawhead D9/439
4,057,160 A * 11/1977 Victor B65D 41/0414
215/318
4,098,422 A * 7/1978 Slomski B65D 39/0017
215/320
D248,873 S * 8/1978 Raitto D9/454
D272,856 S * 2/1984 Percarpio D9/544
D301,197 S * 5/1989 McClung D8/33
D305,871 S * 2/1990 Geiger D9/435
D433,148 S * 10/2000 Dennis D24/220
D444,064 S * 6/2001 Crawford D9/439
D449,783 S * 10/2001 Crawford D9/453
D493,367 S * 7/2004 Simons D9/439
D659,005 S * 5/2012 McCoy D9/454
D765,512 S * 9/2016 Joulia D9/504
D774,392 S * 12/2016 Broad D9/453

(Continued)

OTHER PUBLICATIONS

Lovina Hua “Champagne Stopper—Designed for HOST by True Brands” (online) posted by Lovina Hua and dated 2017. Retrieved from Internet on Dec. 3, 2020, URL: <https://www.lovinahua.com/lever-corkscrew> (6 pages).*

Primary Examiner — Wendy L Arminio

(74) *Attorney, Agent, or Firm* — Vicky K. Bajwa

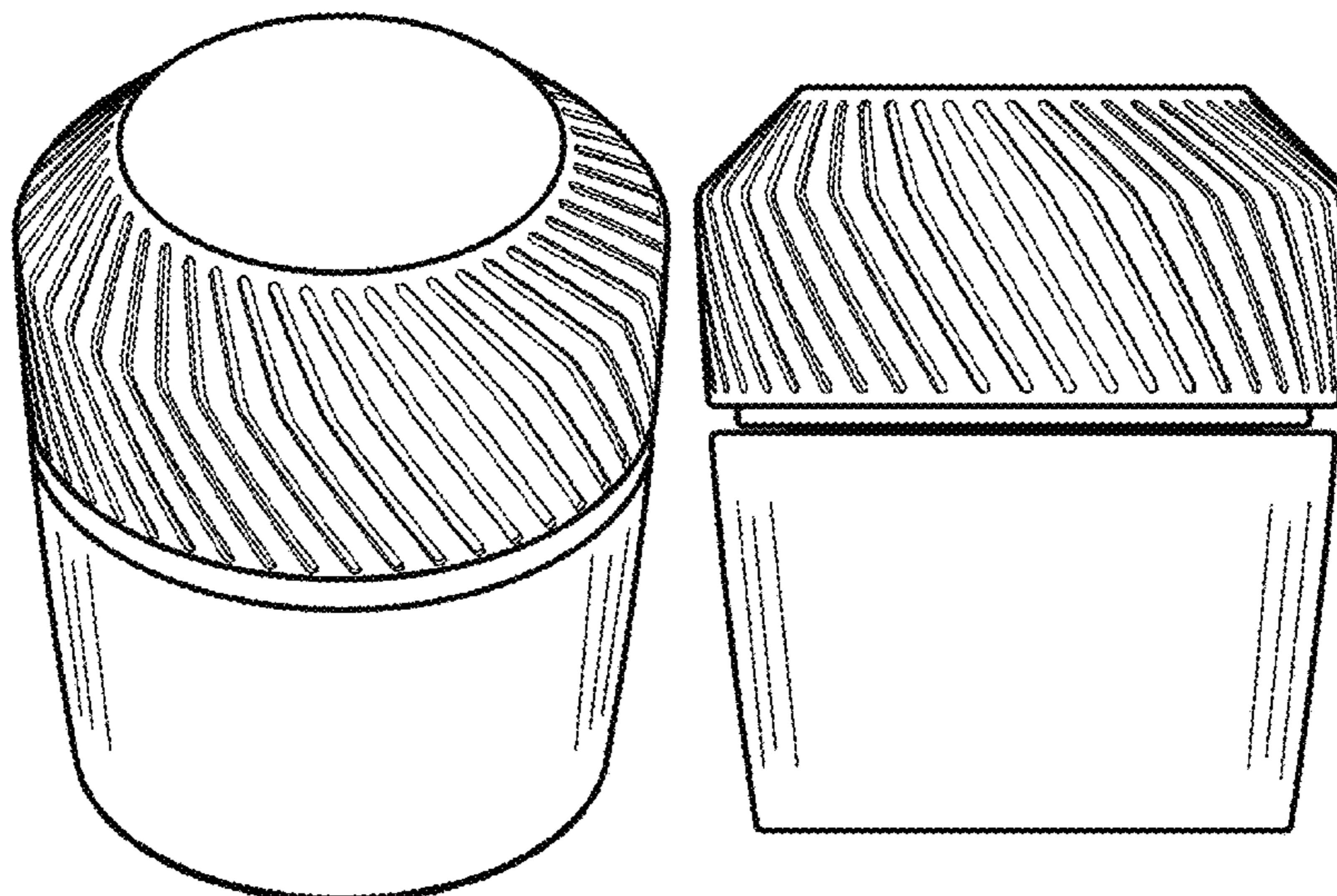
(57) **CLAIM**

The ornamental design for a stopper, as shown and described.

DESCRIPTION

FIG. 1 is a top perspective view of the stopper showing my new design;
FIG. 2 is a front elevation view of the stopper of FIG. 1, the rear, right side, and left side elevation views being identical thereof;
FIG. 3 is a top view of the stopper of FIG. 1;
FIG. 4 is a bottom view of the stopper of FIG. 1; and,
FIG. 5 is a bottom perspective view of the stopper of FIG. 1.

1 Claim, 3 Drawing Sheets



(56)

References Cited

U.S. PATENT DOCUMENTS

D784,812 S *	4/2017	Miller	D9/435
D790,966 S *	7/2017	Roberts	D9/453
D855,465 S *	8/2019	McCay	D9/452
2008/0272085 A1 *	11/2008	Laporta	B65D 39/0064 215/296

* cited by examiner

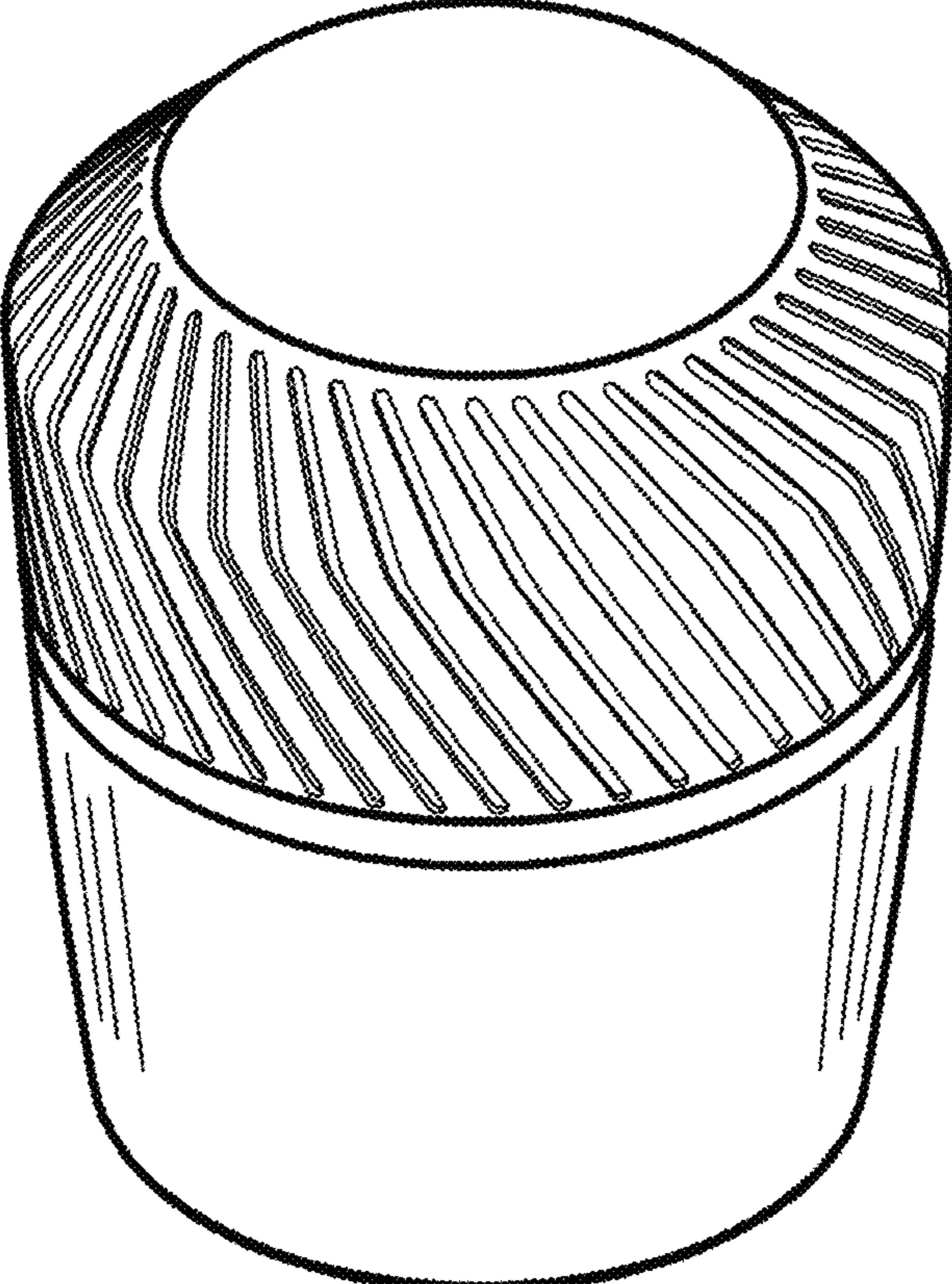


FIG. 1

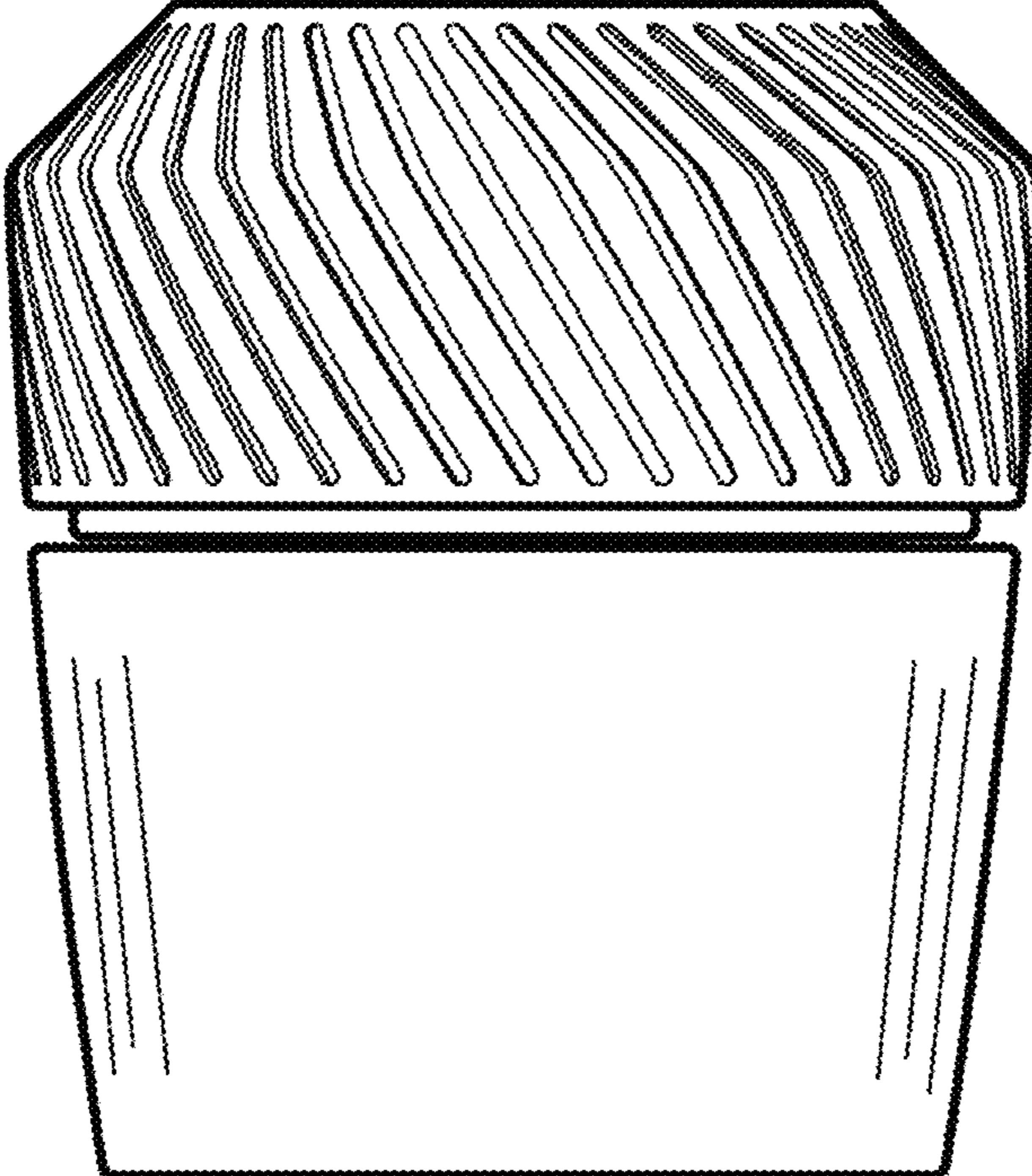


FIG. 2

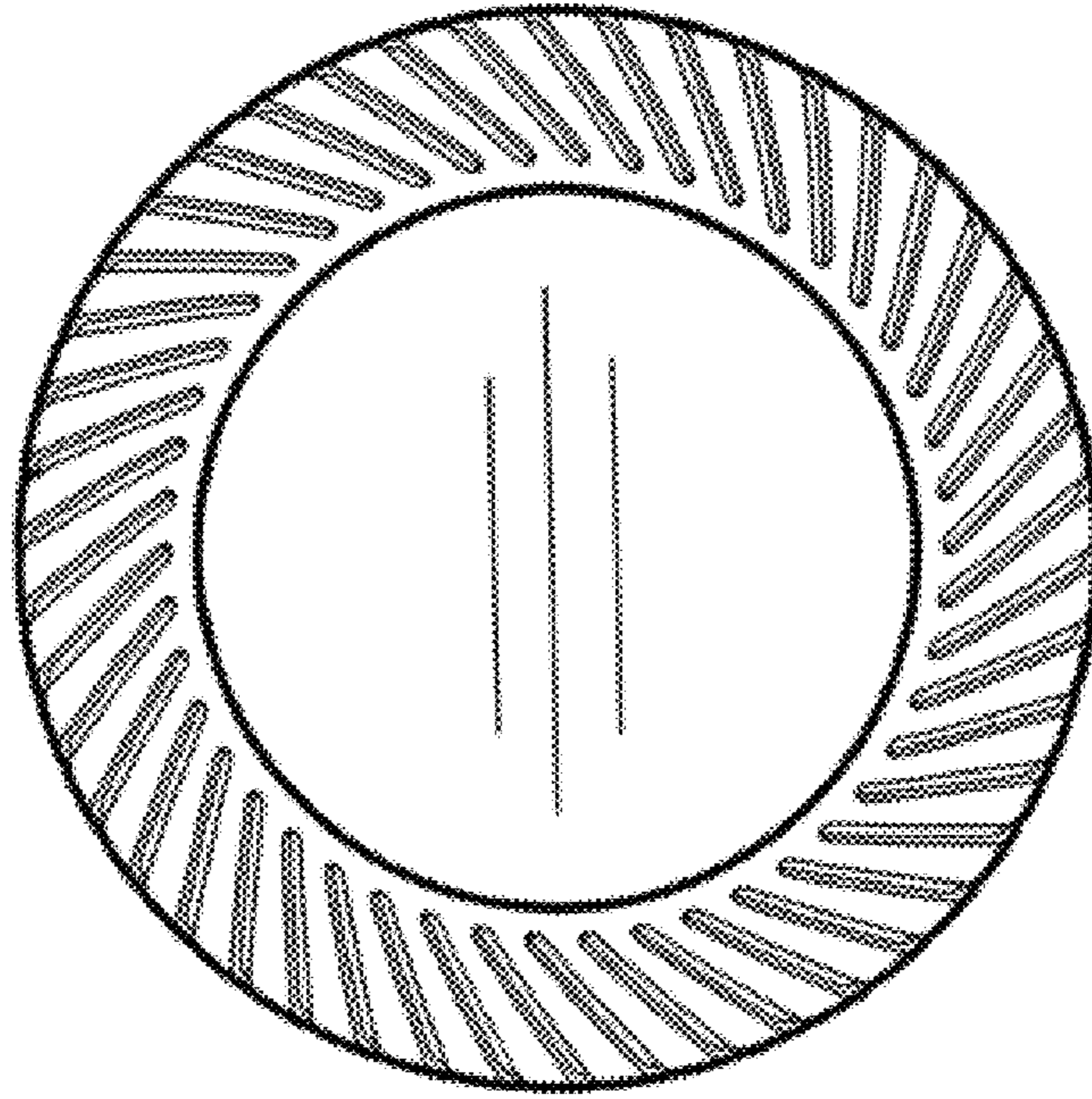


FIG. 3

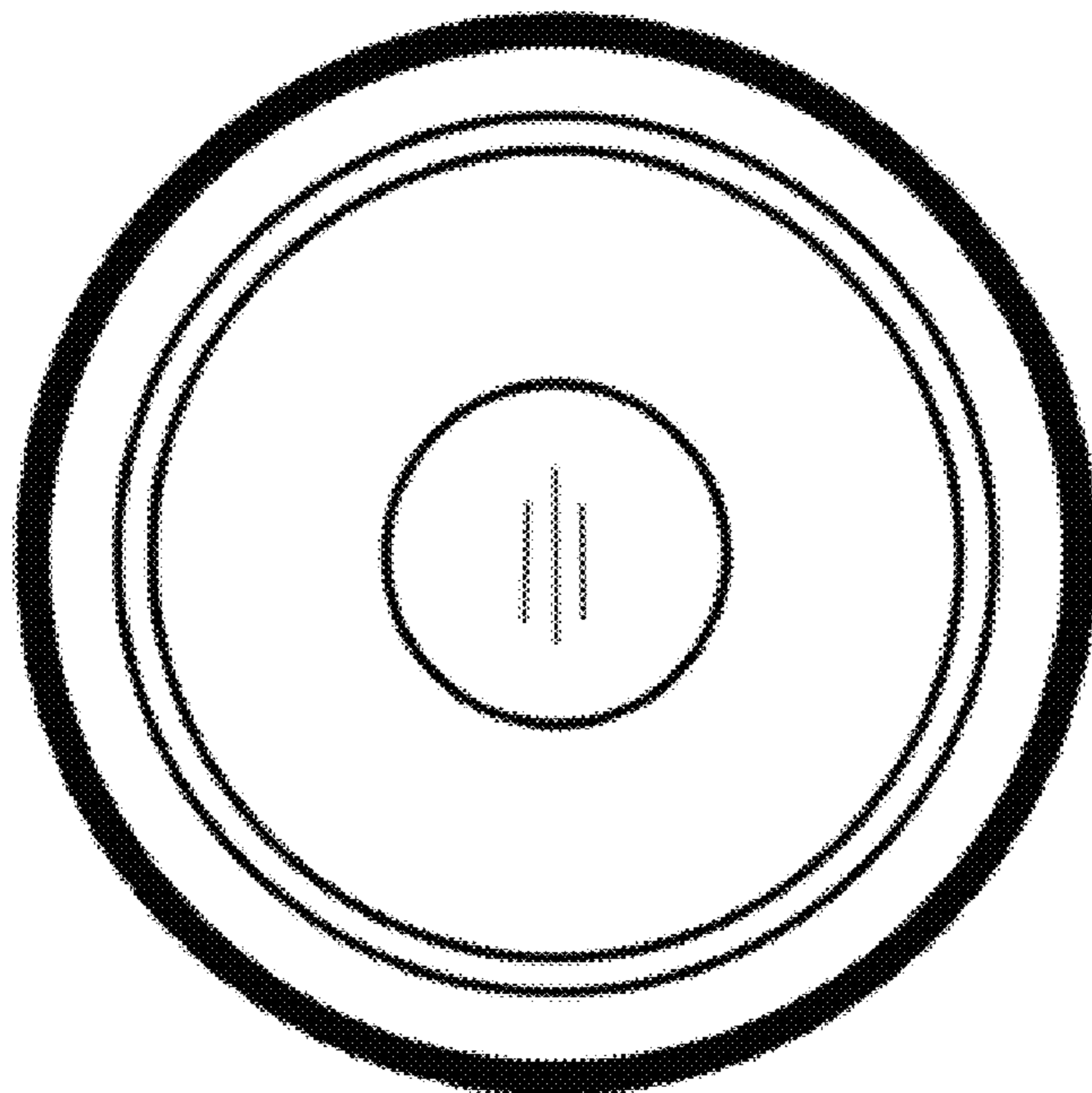


FIG. 4

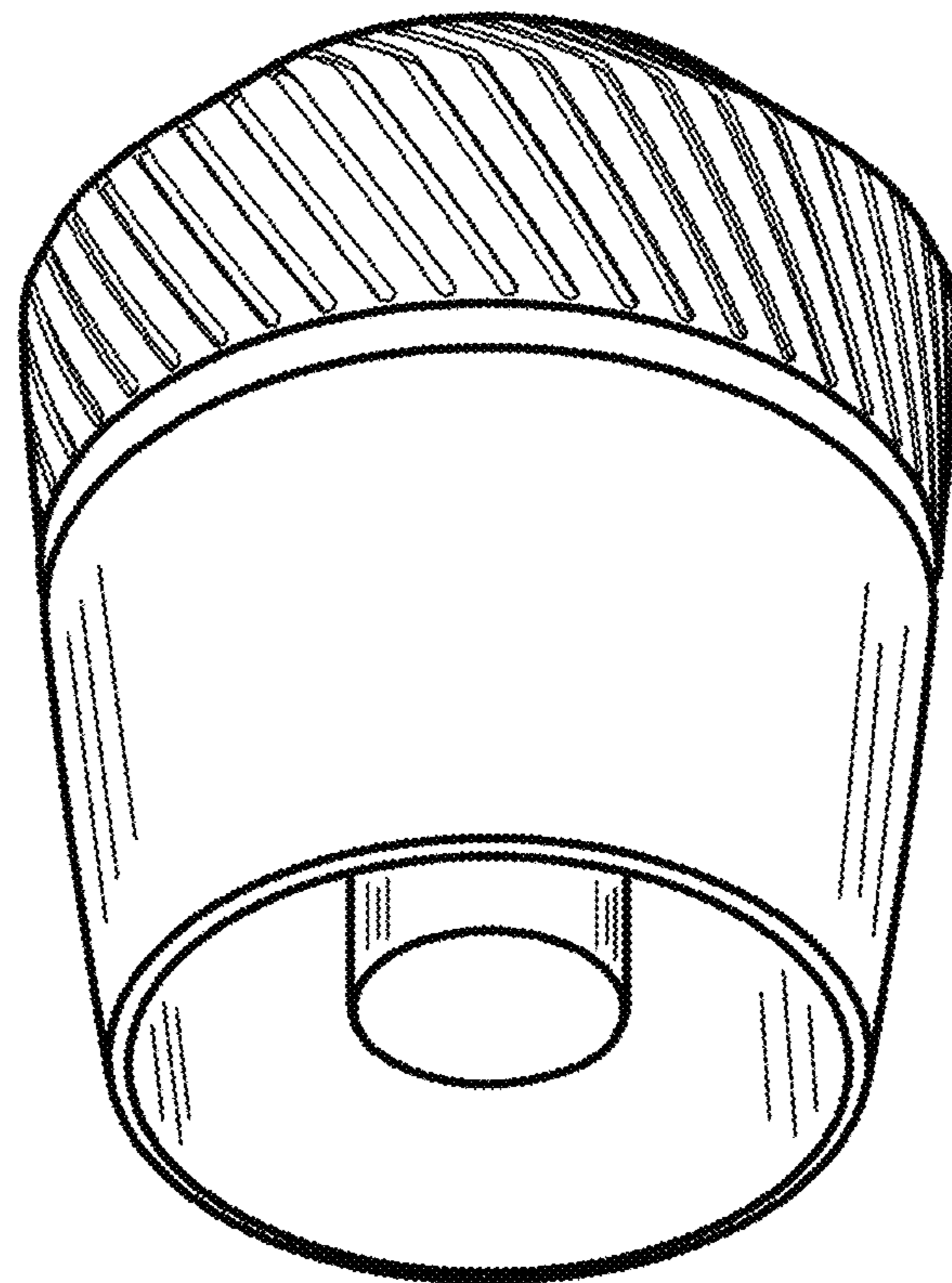


FIG. 5