

US00D971725S

(12) **United States Design Patent** (10) **Patent No.:** **US D971,725 S**  
**Hegdahl et al.** (45) **Date of Patent:** **\*\* \*Dec. 6, 2022**

(54) **CONTAINER LID**

(71) Applicant: **3M INNOVATIVE PROPERTIES COMPANY**, St. Paul, MN (US)

(72) Inventors: **Anna M. Hegdahl**, Brooklyn Park, MN (US); **Brett A. Howell**, Ramsey, MN (US); **William P. Atwood**, Coon Rapids, MN (US); **Jade L. Perren**, Derbyshire (GB); **Ryan D. Erickson**, Roseville, MN (US); **Steven J. Tarnowski**, Mahtomedi, MN (US); **Stephen C. P. Joseph**, Woodbury, MN (US); **Mark S. Menzenski**, Hammond, WI (US); **Sean M. Cory**, St. Paul, MN (US); **Dean E. Sitz**, Wahpeton, ND (US)

(73) Assignee: **3M Innovative Properties Company**, St. Paul, MN (US)

(\*) Notice: This patent is subject to a terminal disclaimer.

(\*\*) Term: **15 Years**

(21) Appl. No.: **29/727,623**

(22) Filed: **Mar. 12, 2020**

(51) **LOC (13) Cl.** ..... **09-07**

(52) **U.S. Cl.**  
USPC ..... **D9/435; D9/454**

(58) **Field of Classification Search**  
USPC ..... D7/392.1, 396.2, 400; D9/434–436, 440, D9/443, 445, 447, 449, 454, 499, 448, D9/452, 453, 435; D23/209, 213, 225, D23/227, 259–261; D32/54  
CPC ..... B65D 47/06; B65D 25/54; B05B 11/0037  
See application file for complete search history.

(56) **References Cited**

**U.S. PATENT DOCUMENTS**

D180,862 S 8/1957 Clement  
D267,779 S \* 2/1983 Roth ..... D9/434

D315,191 S \* 3/1991 Mikol ..... D23/213  
D351,706 S \* 10/1994 Breen ..... D34/11  
D383,271 S \* 9/1997 Eshelman ..... D32/54  
D576,713 S \* 9/2008 Mullis ..... D23/260

(Continued)

**FOREIGN PATENT DOCUMENTS**

WO WO 1998-52834 11/1998  
WO WO 2006-065850 6/2006

(Continued)

**OTHER PUBLICATIONS**

Amazon. 3M PPS (Original Series) Disposable Lids, 16200, Standard and Large, 200 Micron Filter, 25 lids per case. No date specified. <https://www.amazon.com/16200-PPS-Lid-Micron-Filters/dp/B005RN69BY> (Year: 0).\*

(Continued)

*Primary Examiner* — Darcey E Gottschalk

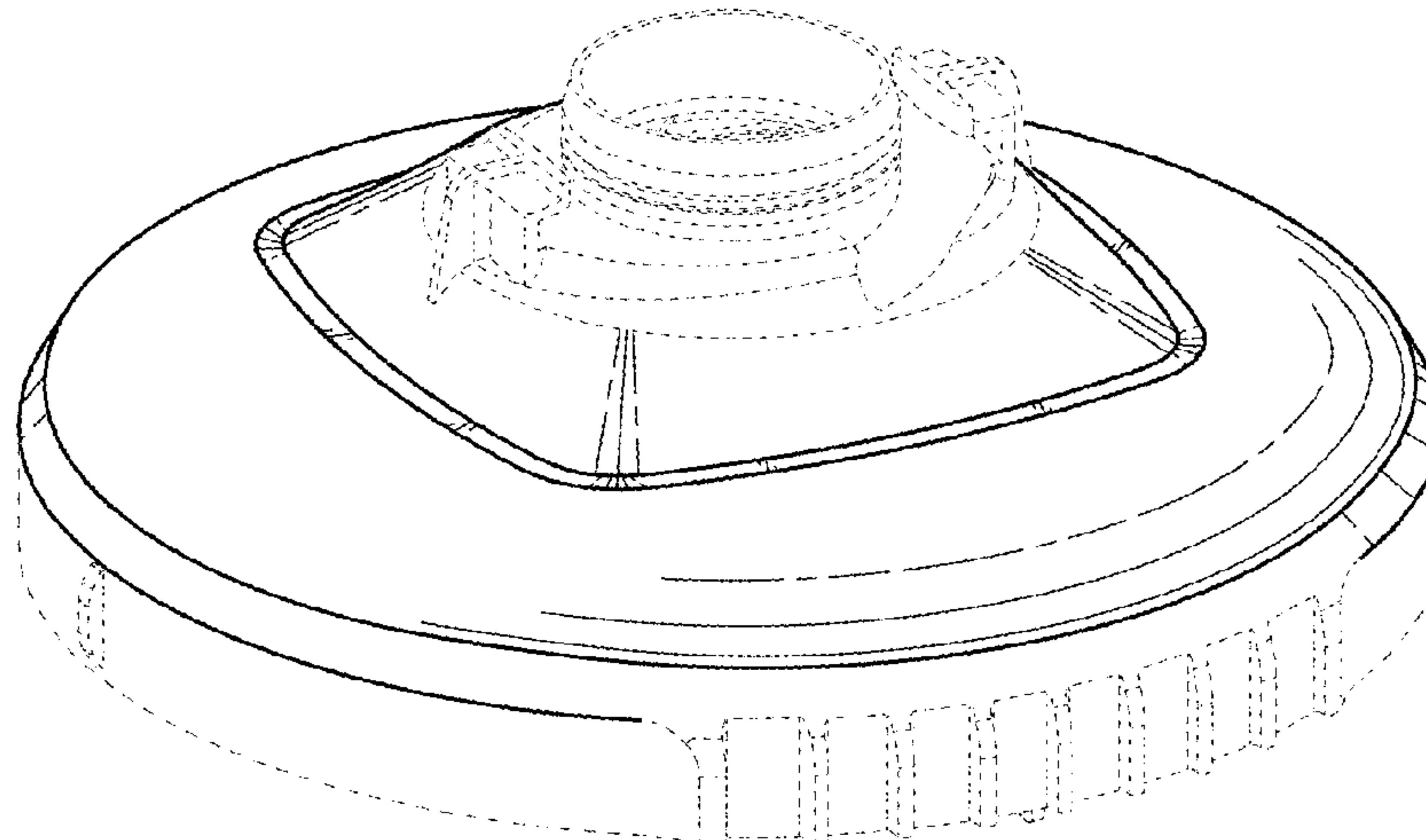
(57) **CLAIM**

The ornamental design for a container lid, as shown and described.

**DESCRIPTION**

FIG. 1 is a perspective view of a container lid embodying the new design;  
FIG. 2 is a front view thereof, and the back view is a mirror image of the front view;  
FIG. 3 is a left view thereof, and the right view is a mirror image of the left view;  
FIG. 4 is a top view thereof; and,  
FIG. 5 is a bottom view thereof.  
The broken, dashed lines in the drawings are shown for illustrative purposes only and form no part of the claimed design.

**1 Claim, 3 Drawing Sheets**



(56)

**References Cited**

U.S. PATENT DOCUMENTS

7,614,571	B2	11/2009	Camilleri	
D677,763	S *	3/2013	Laera .....	D23/260
D692,530	S	10/2013	Gehrun	
D749,705	S *	2/2016	Krombein .....	D23/259
D817,443	S	5/2018	Ebertowski	
D831,788	S *	10/2018	Zou .....	D23/209
D890,564	S *	7/2020	Hao .....	D9/449
D896,077	S *	9/2020	Matusek .....	D9/449
D937,968	S *	12/2021	Hegdahl .....	D23/209
11,207,810	B2 *	12/2021	Schulz .....	B29C 31/10
2010/0288772	A1	11/2010	Wambeke	
2014/0034663	A1 *	2/2014	Konigseder .....	B65D 43/22 220/835
2015/0203259	A1	7/2015	Mulvaney	
2017/0203887	A1	7/2017	Hegdahl	

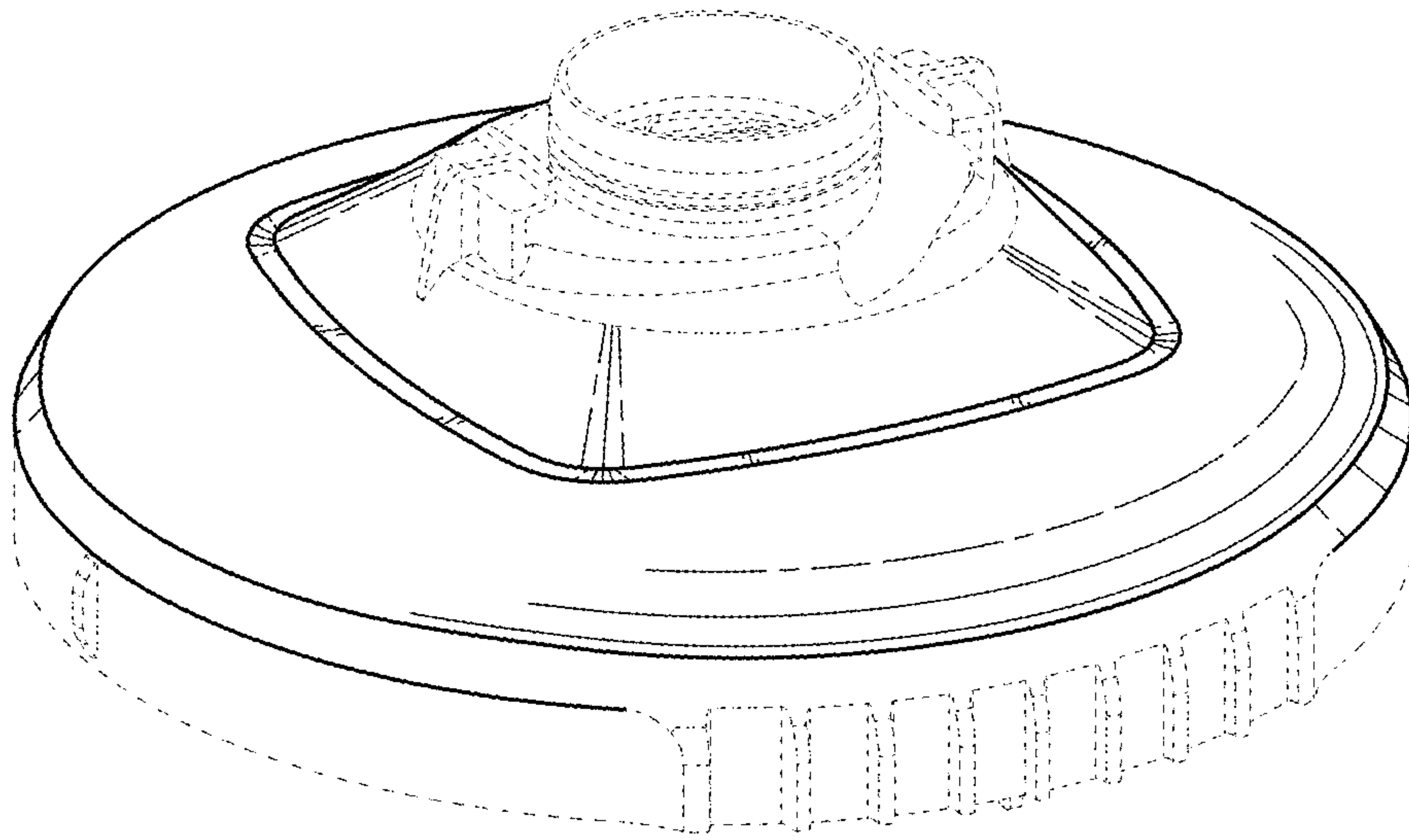
FOREIGN PATENT DOCUMENTS

WO	WO 2017-123718	7/2017
WO	WO 2019-012500	1/2019

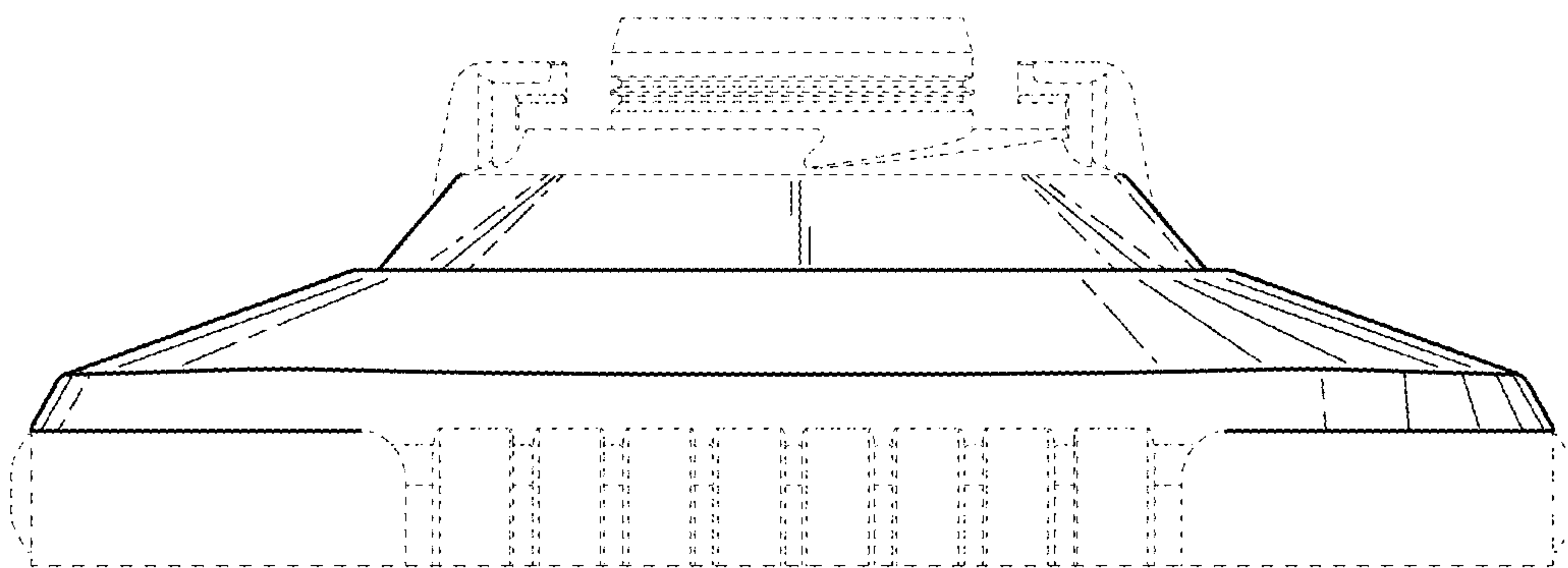
OTHER PUBLICATIONS

Amazon. 3M Gun Disposable Lids, 26204, Fits Paint Midi, Mini or Micro Liners, 200-Micron Filter, Use with PPS 2.0 Spray Cup System for Cars, Furniture, House, 25 Pack. May 14, 2018. <https://www.amazon.com/3M-Micro-Micron-Filter-2PS-26204/dp/B001UO728I> (Year: 2018).\*

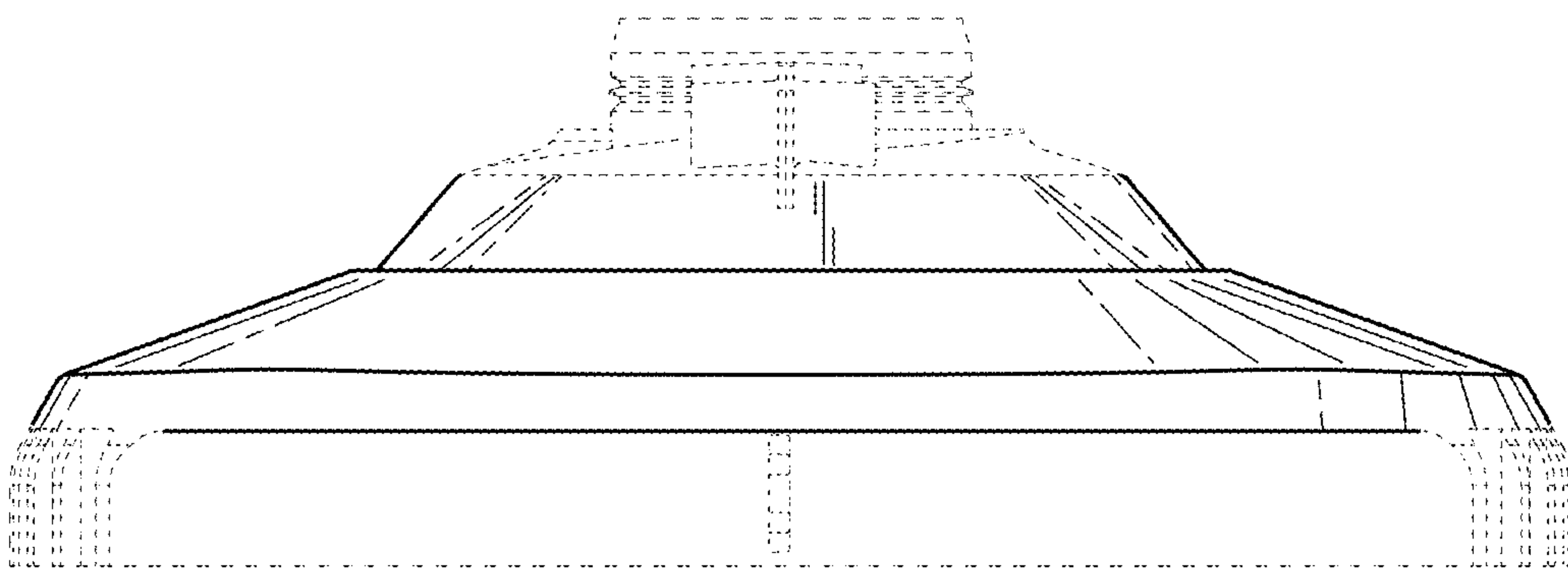
\* cited by examiner



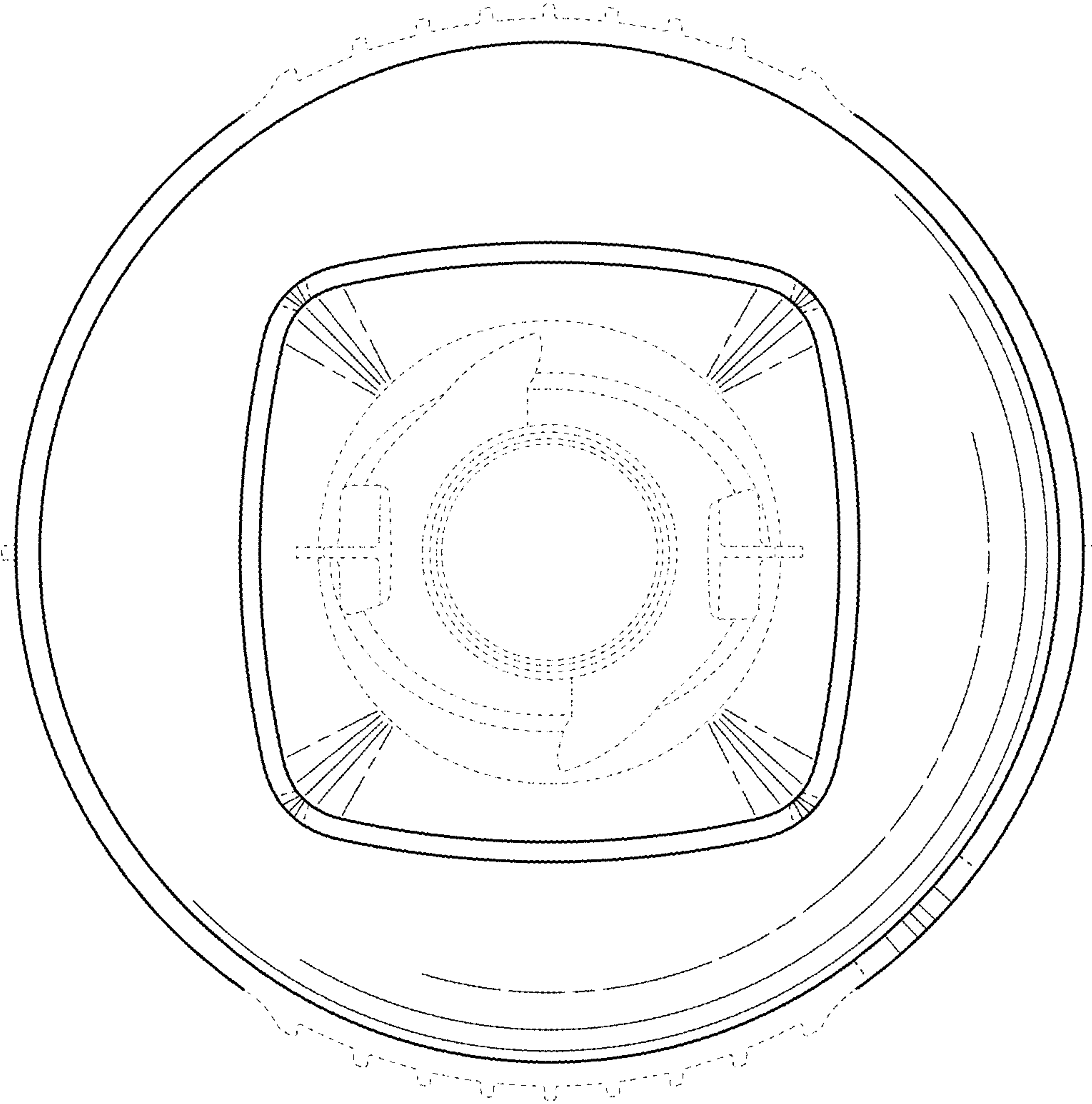
*Fig. 1*



*Fig. 2*

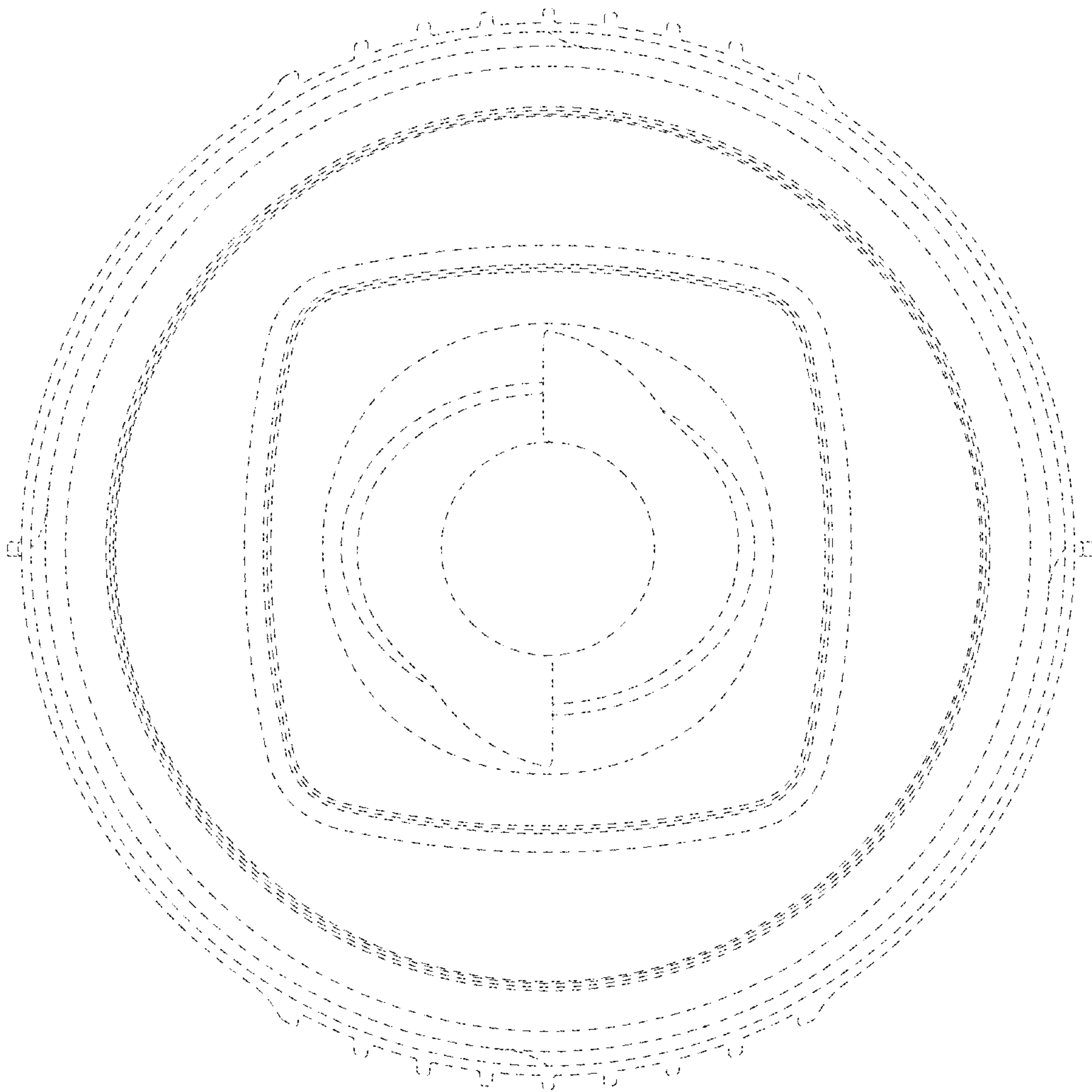


*Fig. 3*



*Fig. 4*





*Fig. 5*