



US00D971724S

(12) **United States Design Patent** (10) **Patent No.:** **US D971,724 S**  
**Stevenson et al.** (45) **Date of Patent:** **\*\* Dec. 6, 2022**

(54) **CONTAINER WITH CUP CONNECTOR**

(56) **References Cited**

(71) Applicant: **F.D.S. Manufacturing Company,**  
Pomona, CA (US)

U.S. PATENT DOCUMENTS

(72) Inventors: **Kevin Tyrel Stevenson,** Upland, CA  
(US); **Michael Cecil Francis Newman,**  
Ontario, CA (US); **Robert Symons,**  
Santa Ana, CA (US); **Steve Kwon,** San  
Diego, CA (US)

3,401,825 A \* 9/1968 Weiss ..... B65D 43/021  
220/793  
D243,231 S \* 2/1977 Smith ..... 229/404  
(Continued)

(73) Assignee: **F.D.S. Manufacturing Company,**  
Pomona, CA (US)

OTHER PUBLICATIONS

(\*\*) Term: **15 Years**

Jarware Snack Pack: Announced Jan. 28, 2022. Site Visited (Jun. 23,  
2022). Available from Internet URL: [https://www.amazon.com/Jarware-Snack-Mouth-Sized-Mason/dp/B01N7XDMVR/ref=asc\\_df\\_B01N7XDMVR/?tag=hyprod-20&linkCode=df0&hvadid=198060101726&hvpos=&hvnetw=g&hvrnd=8301452452791442706&hvpone=&hvptwo=&hvqmt=&hvdev=c&hvdvcmld=&hvlocint=&hvlocphy=1027027&hvtargid=pla-379235858364&psc=1.\\*](https://www.amazon.com/Jarware-Snack-Mouth-Sized-Mason/dp/B01N7XDMVR/ref=asc_df_B01N7XDMVR/?tag=hyprod-20&linkCode=df0&hvadid=198060101726&hvpos=&hvnetw=g&hvrnd=8301452452791442706&hvpone=&hvptwo=&hvqmt=&hvdev=c&hvdvcmld=&hvlocint=&hvlocphy=1027027&hvtargid=pla-379235858364&psc=1.*)

(21) Appl. No.: **29/713,551**

(Continued)

(22) Filed: **Nov. 16, 2019**

(51) **LOC (13) Cl.** ..... **09-03**

*Primary Examiner* — Catherine S Posthauer

(52) **U.S. Cl.**

USPC ..... **D9/424; D9/761**

(58) **Field of Classification Search**

(57) **CLAIM**

USPC ..... D3/202; D7/509, 510, 511, 387, 391,  
D7/392, 392.1, 393, 396, 396.1, 396.2,  
D7/397, 398, 400, 414; D9/434, 435,  
D9/436, 438, 439, 443, 445, 447, 451,  
D9/452, 453, 454, 455, 499, 686, 690;  
D8/330, 331, 336, 337, 339, 342, 343,  
D8/382; D23/259, 260, 261, 265;  
D24/127, 162; D12/202, 604–607  
CPC ..... B65D 41/02; B65D 41/10; B65D 41/62;  
B65D 41/46; B65D 41/465; B65D  
2251/009; B65D 2251/0015; B65D 51/20;  
B65D 17/02; B65D 2401/20; B65D  
2251/0071; B65D 2251/20; B65D 1/00;  
B65D 1/02; B65D 1/10; B65D 1/46;  
B65D 2585/56; B65D 2585/545; B65D  
50/60; A63B 39/025; A63B 2102/02;  
E05B 55/00; Y10T 292/1047; Y10T  
292/1089; Y10T 292/865; Y10T 292/097;  
Y10T 292/0938; Y10T 292/0834; Y10T  
292/1014; Y10T 292/0959; A61J 1/00;  
A61J 1/1412

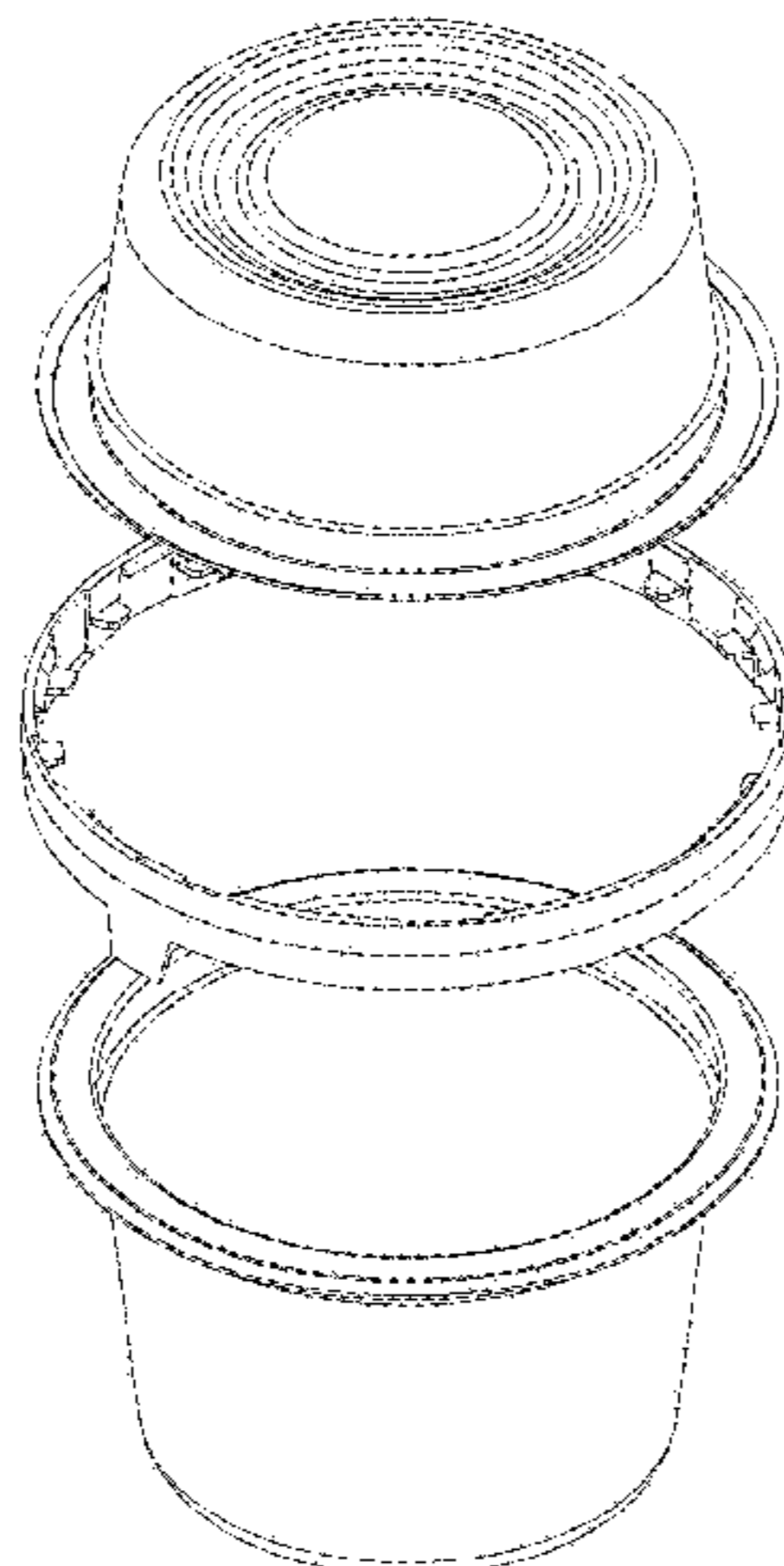
The ornamental design for a container with cup connector,  
substantially as shown and described.

**DESCRIPTION**

FIG. 1 is a top perspective view of a cup connector, showing  
our new design, showing the cup connector independent  
from the container, to show aspects of the design not visible  
when combined;  
FIG. 2 is another top perspective view thereof;  
FIG. 3 is a top view thereof;  
FIG. 4 is a bottom view thereof;  
FIG. 5 is a front view thereof;  
FIG. 6 is a rear view thereof;  
FIG. 7 is left side view thereof;  
FIG. 8 is right side view thereof;  
FIG. 9 is a top perspective view of a container with cup  
connector;  
FIG. 10 is a right-side view thereof; and,  
FIG. 11 is an exploded perspective view thereof.

See application file for complete search history.

**1 Claim, 11 Drawing Sheets**



(56)

References Cited

U.S. PATENT DOCUMENTS

D256,558 S \* 8/1980 Smith ..... D9/454  
 D279,037 S \* 5/1985 Schuler ..... D9/426  
 5,249,704 A \* 10/1993 Boetzkes ..... B65D 55/0863  
 215/256  
 D354,681 S \* 1/1995 Nolte ..... D9/434  
 5,377,861 A \* 1/1995 Landis ..... B65D 43/0212  
 206/508  
 D358,988 S \* 6/1995 Nolte ..... D9/434  
 D365,519 S \* 12/1995 Welch ..... D9/454  
 D528,432 S \* 9/2006 Snedden ..... D9/716  
 D566,483 S \* 4/2008 Tucker ..... D7/629  
 D583,238 S \* 12/2008 Chen ..... D9/453  
 D612,208 S \* 3/2010 Baker ..... D7/402  
 D637,481 S \* 5/2011 Sellari ..... D9/717  
 D656,816 S \* 4/2012 Glaser ..... D9/425  
 D666,905 S \* 9/2012 Ramirez ..... D9/424  
 D688,945 S \* 9/2013 Kim ..... D9/452  
 D697,814 S \* 1/2014 Hopman ..... D9/661  
 D698,904 S \* 2/2014 Milligan ..... D23/262  
 8,906,440 B2 \* 12/2014 Otto ..... A47J 31/0642  
 426/433  
 D726,929 S \* 4/2015 Wainwright ..... D24/224  
 D734,985 S \* 7/2015 Furia ..... D9/425  
 D739,234 S \* 9/2015 Antal, Sr. .... D9/445  
 D752,975 S \* 4/2016 Gatto ..... D9/434  
 D776,296 S \* 1/2017 Wainwright ..... D24/224  
 D834,686 S \* 11/2018 Yamada ..... D23/261  
 D838,585 S \* 1/2019 Kui ..... D9/428  
 D845,705 S \* 4/2019 Simonazzi ..... D7/400  
 D846,094 S \* 4/2019 Blum ..... D23/262  
 D861,480 S \* 10/2019 Barrett ..... D9/428  
 D876,236 S \* 2/2020 Griffis ..... D9/454  
 D888,203 S \* 6/2020 Blum ..... D23/262  
 D891,923 S \* 8/2020 Lin ..... D9/452

D896,648 S \* 9/2020 Nguyen-Demary ..... D24/231  
 D899,252 S \* 10/2020 Wang ..... D9/454  
 D911,155 S \* 2/2021 Kondo ..... D8/382  
 D921,162 S \* 6/2021 Colvin ..... D23/206  
 D934,683 S \* 11/2021 Stevenson ..... D9/455  
 D936,416 S \* 11/2021 Yang ..... D7/400  
 2007/0262077 A1 \* 11/2007 Stevens ..... B65D 51/20  
 220/212  
 2016/0257453 A1 \* 9/2016 Myer ..... B65D 43/0239

OTHER PUBLICATIONS

Parfait Cups: Announced Sep. 1, 2021 (online). Site Visted (Jun. 23, 2022). Available from Internet URL: [https://www.amazon.com/50Sets-Plastic-Parfait-Insert-Dessert/dp/B09F662FP5/ref=pd\\_day0fbt\\_img\\_scll\\_1/131-8039134-8767045?pd\\_rd\\_w=sE7bM&content-id=amzn1\\_sym.28060bf9-0745-4e32-a449-e95381c8ca7a&pf\\_rd\\_p=28060bf9-0745-4e32-a449-e95381c8ca7a&pf\\_rd\\_r=R2RV9XSB4RCH3ZABR2H4&pd\\_rd\\_wg=B8A9f&pd\\_rd\\_r=3bd02d6a-5f3f-4023-a89d-2](https://www.amazon.com/50Sets-Plastic-Parfait-Insert-Dessert/dp/B09F662FP5/ref=pd_day0fbt_img_scll_1/131-8039134-8767045?pd_rd_w=sE7bM&content-id=amzn1_sym.28060bf9-0745-4e32-a449-e95381c8ca7a&pf_rd_p=28060bf9-0745-4e32-a449-e95381c8ca7a&pf_rd_r=R2RV9XSB4RCH3ZABR2H4&pd_rd_wg=B8A9f&pd_rd_r=3bd02d6a-5f3f-4023-a89d-2).\*

Saida To Go Cups: Announced [Feb. 15, 2022]. Site Visited [Jun. 23, 2022]. Available from Internet URL: [https://www.amazon.com/Breakfast-Topping-Overnight-Container-Colorful/dp/B09SFFQZNT/ref=sr\\_1\\_38?keywords=reusable%2Bparfait%2Bcups%2Bwith%2Blids&qid=1656014056&srefix=reusable%2Bparfait%2Bcups%2Caps%2C66&sr=8-38&th=1](https://www.amazon.com/Breakfast-Topping-Overnight-Container-Colorful/dp/B09SFFQZNT/ref=sr_1_38?keywords=reusable%2Bparfait%2Bcups%2Bwith%2Blids&qid=1656014056&srefix=reusable%2Bparfait%2Bcups%2Caps%2C66&sr=8-38&th=1).\*

HeNai Petwekan On the Go Containers: Announced [Apr. 2, 2021]. Site Visited [Jun. 23, 2022]. Available from Internet URL: [https://www.amazon.com/PETWEKAN-Breakfast-Cups%EF%BC%8CYogurt-Portable-Container/dp/B091FGQZ15/ref/sr\\_1\\_64?keywords=reusable+parfait+cups+with+lids&qid=1656014295&srefix=reusable+parfait+cups%2Caps%2C66&sr=8-64](https://www.amazon.com/PETWEKAN-Breakfast-Cups%EF%BC%8CYogurt-Portable-Container/dp/B091FGQZ15/ref/sr_1_64?keywords=reusable+parfait+cups+with+lids&qid=1656014295&srefix=reusable+parfait+cups%2Caps%2C66&sr=8-64).\*

\* cited by examiner

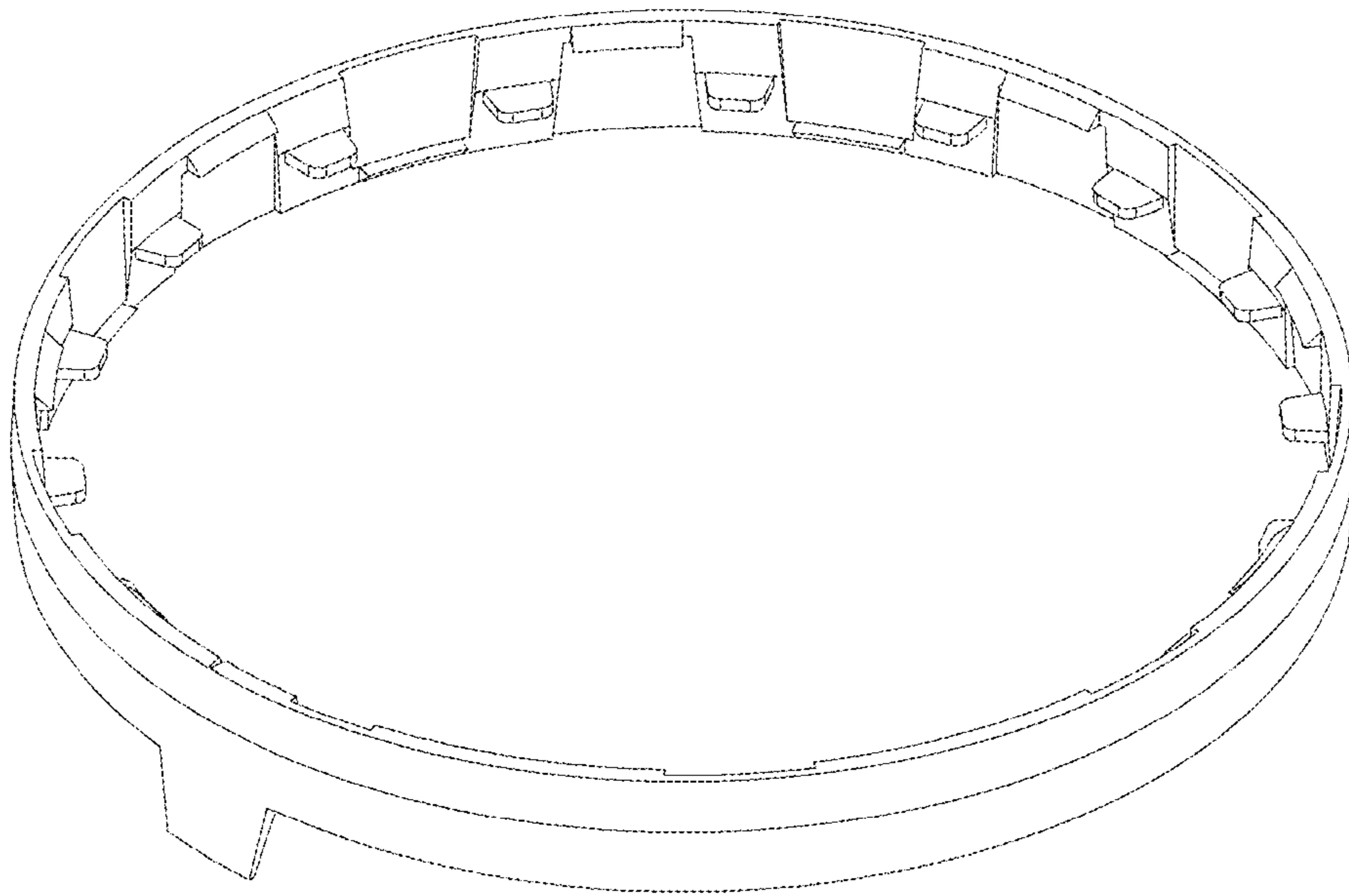


FIG. 1

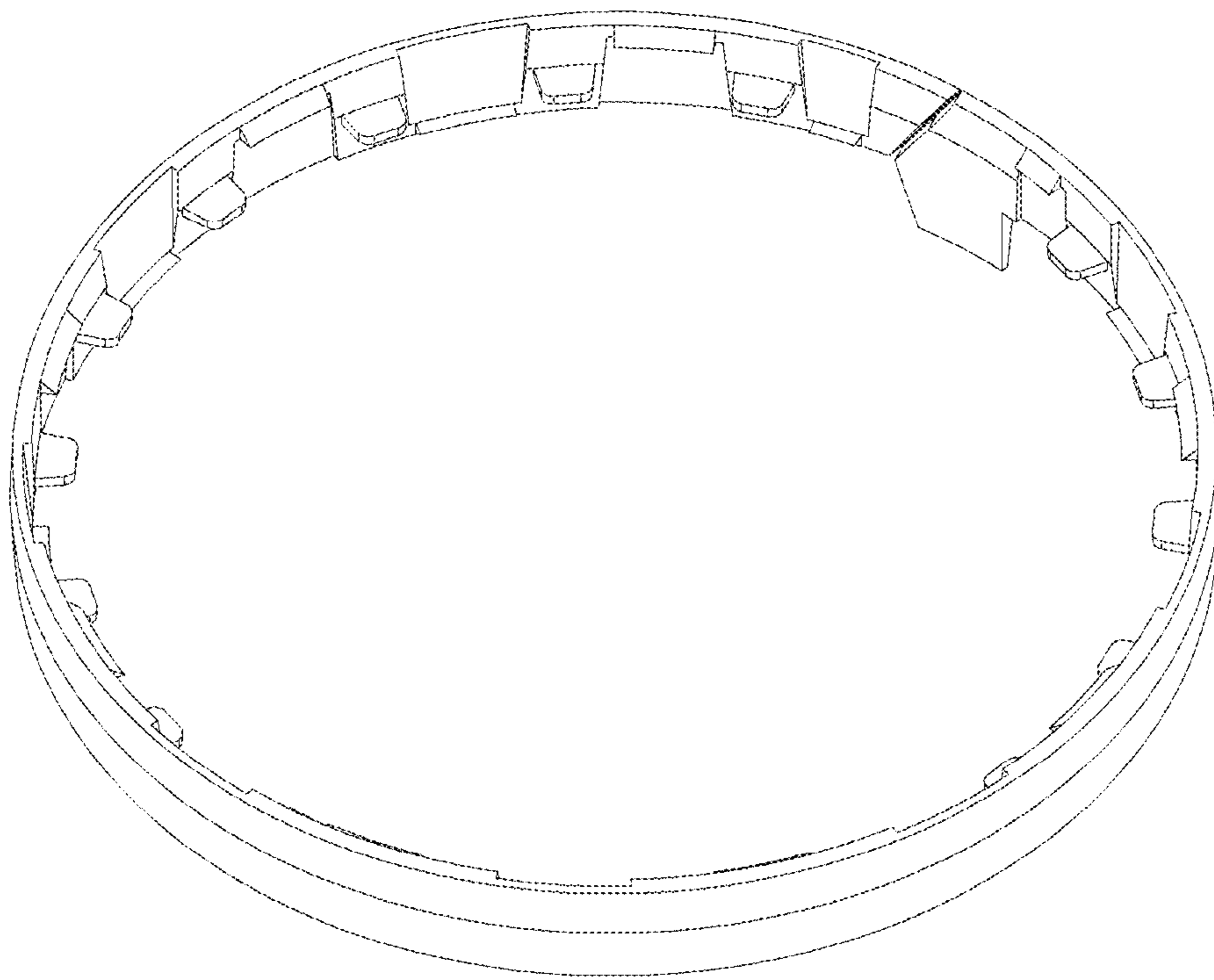


FIG. 2

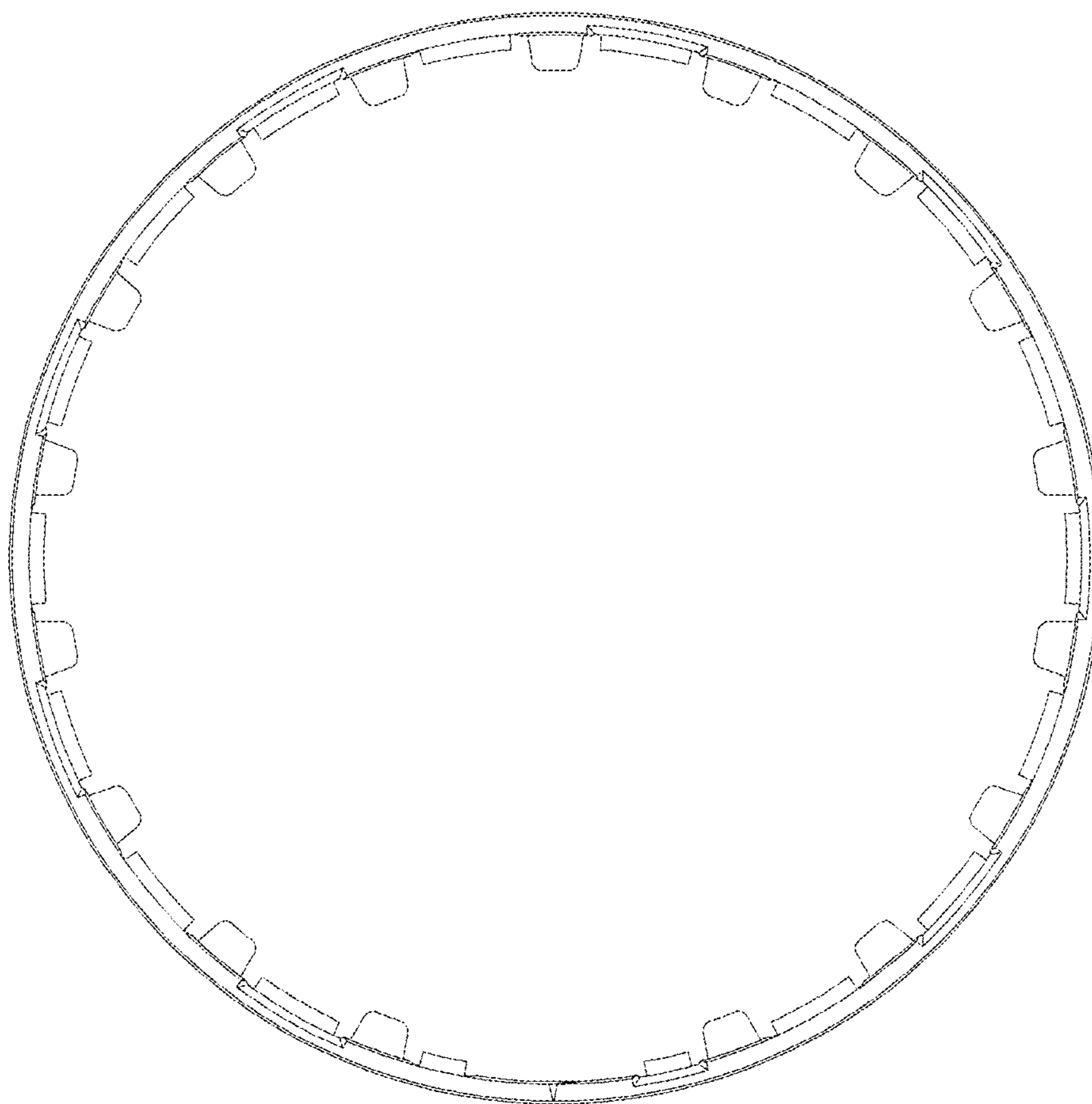


FIG. 3

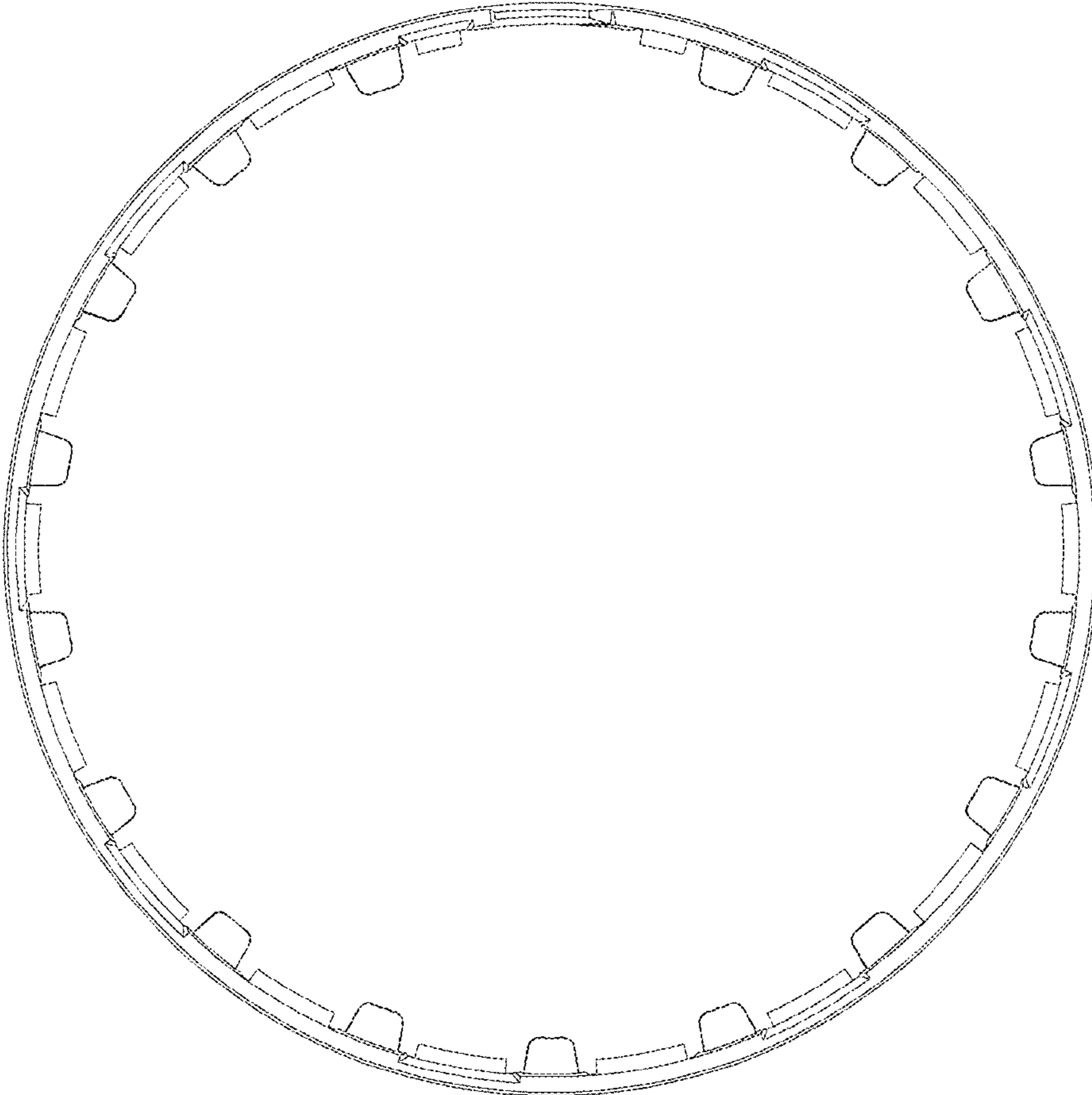


FIG. 4

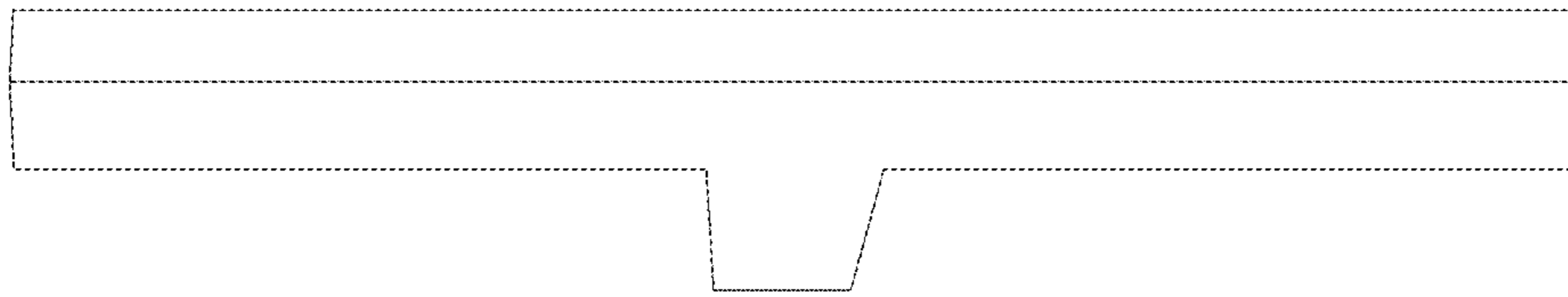


FIG. 5

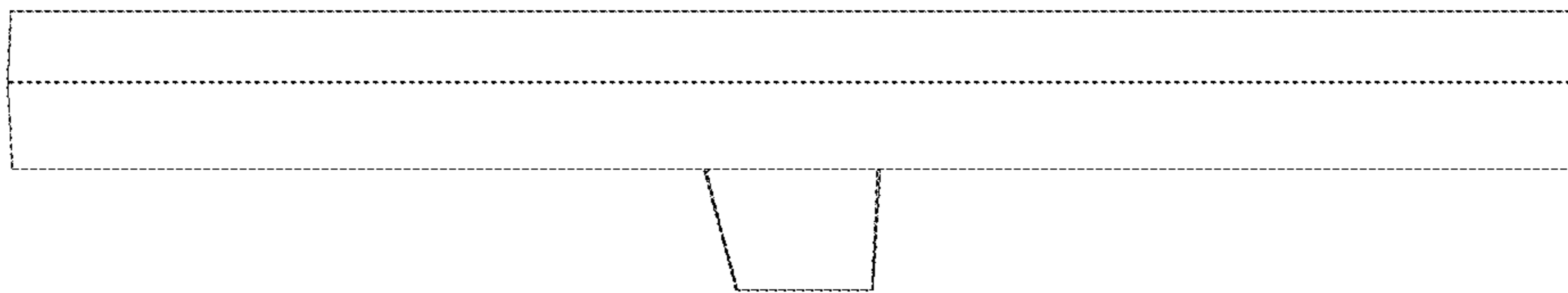


FIG. 6



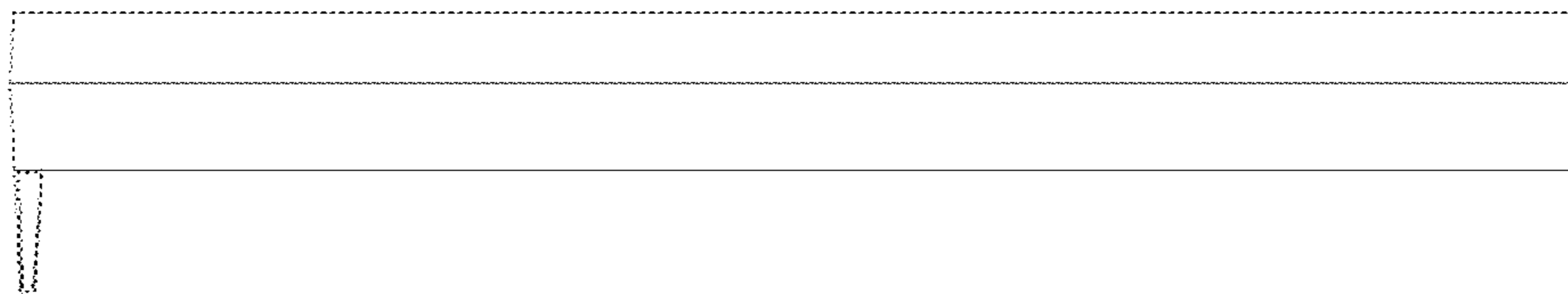


FIG. 7

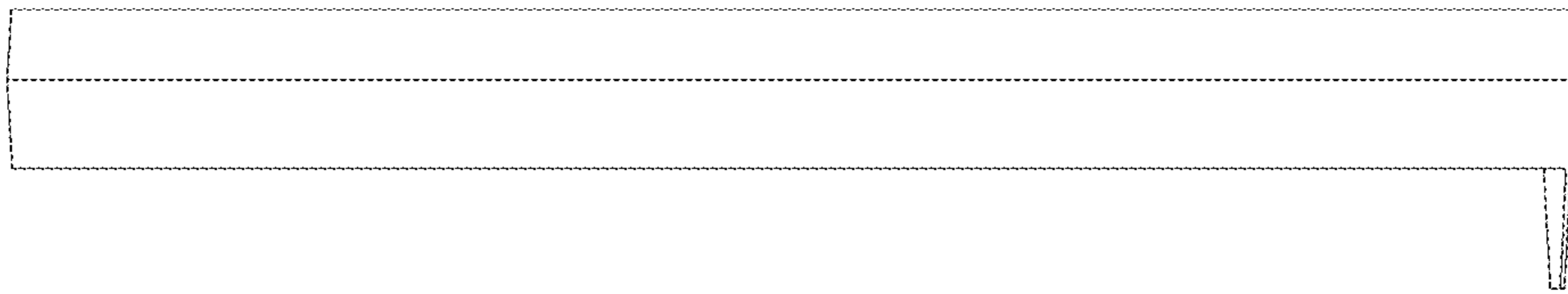


FIG. 8

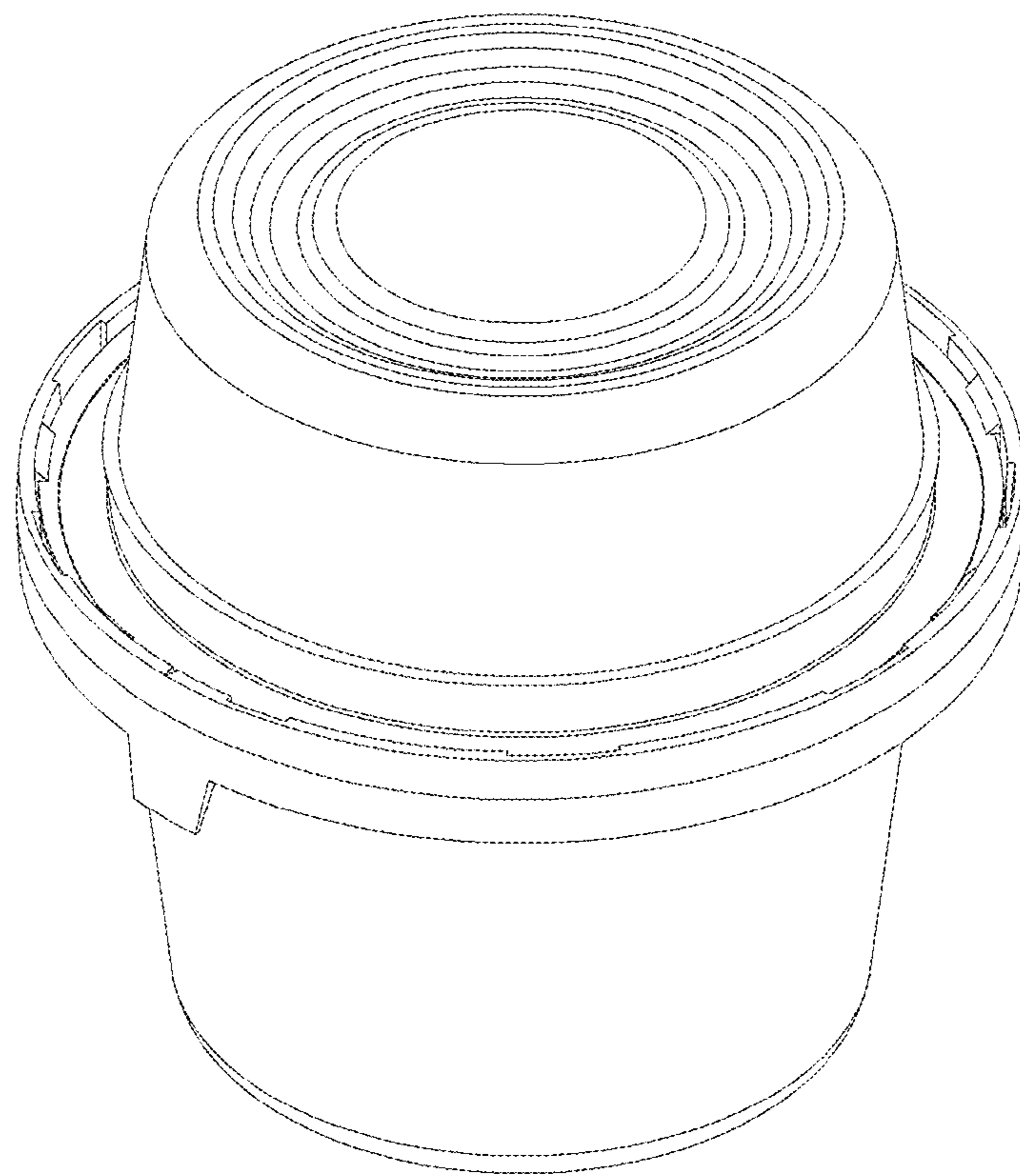


FIG. 9

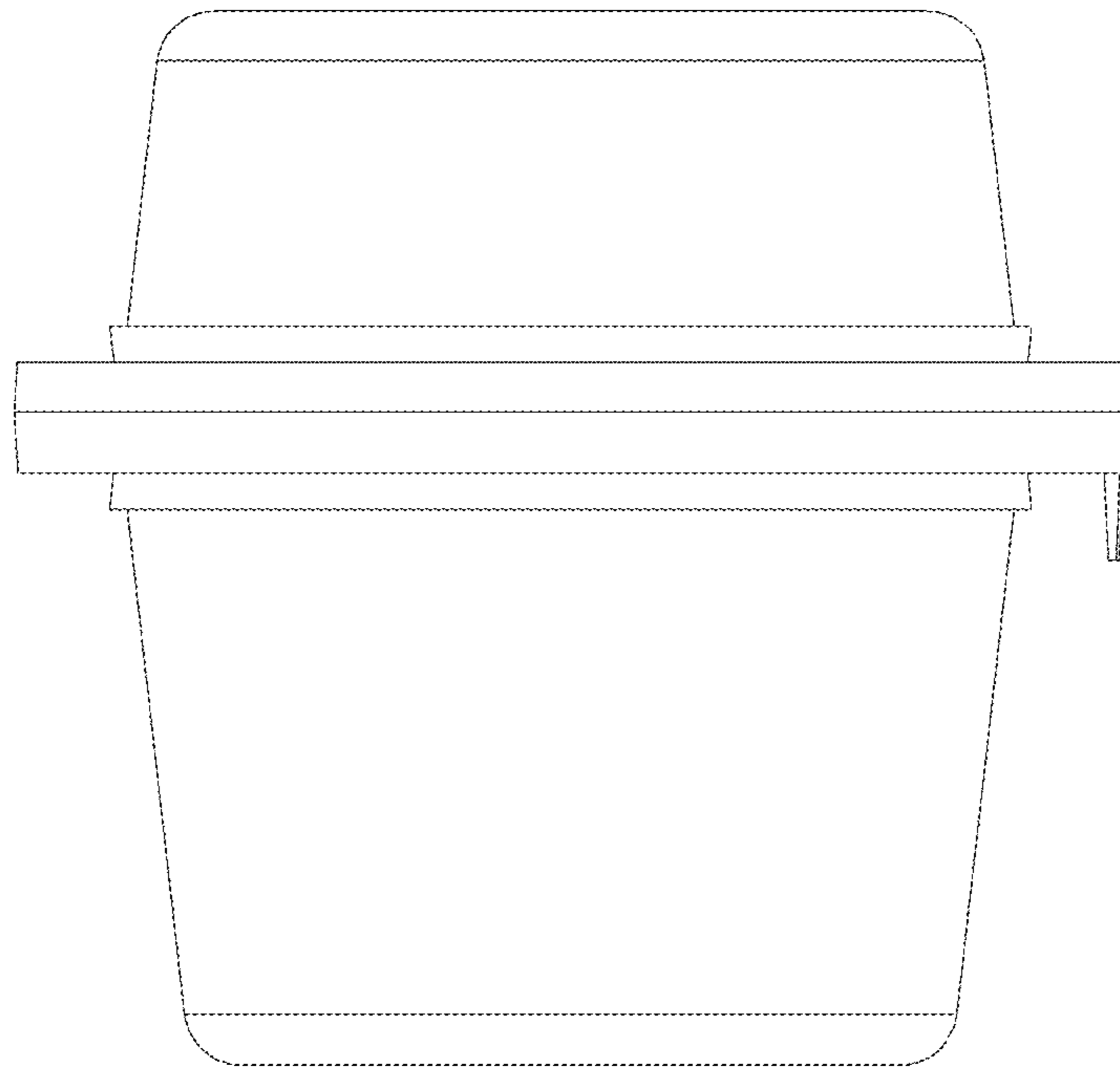


FIG. 10

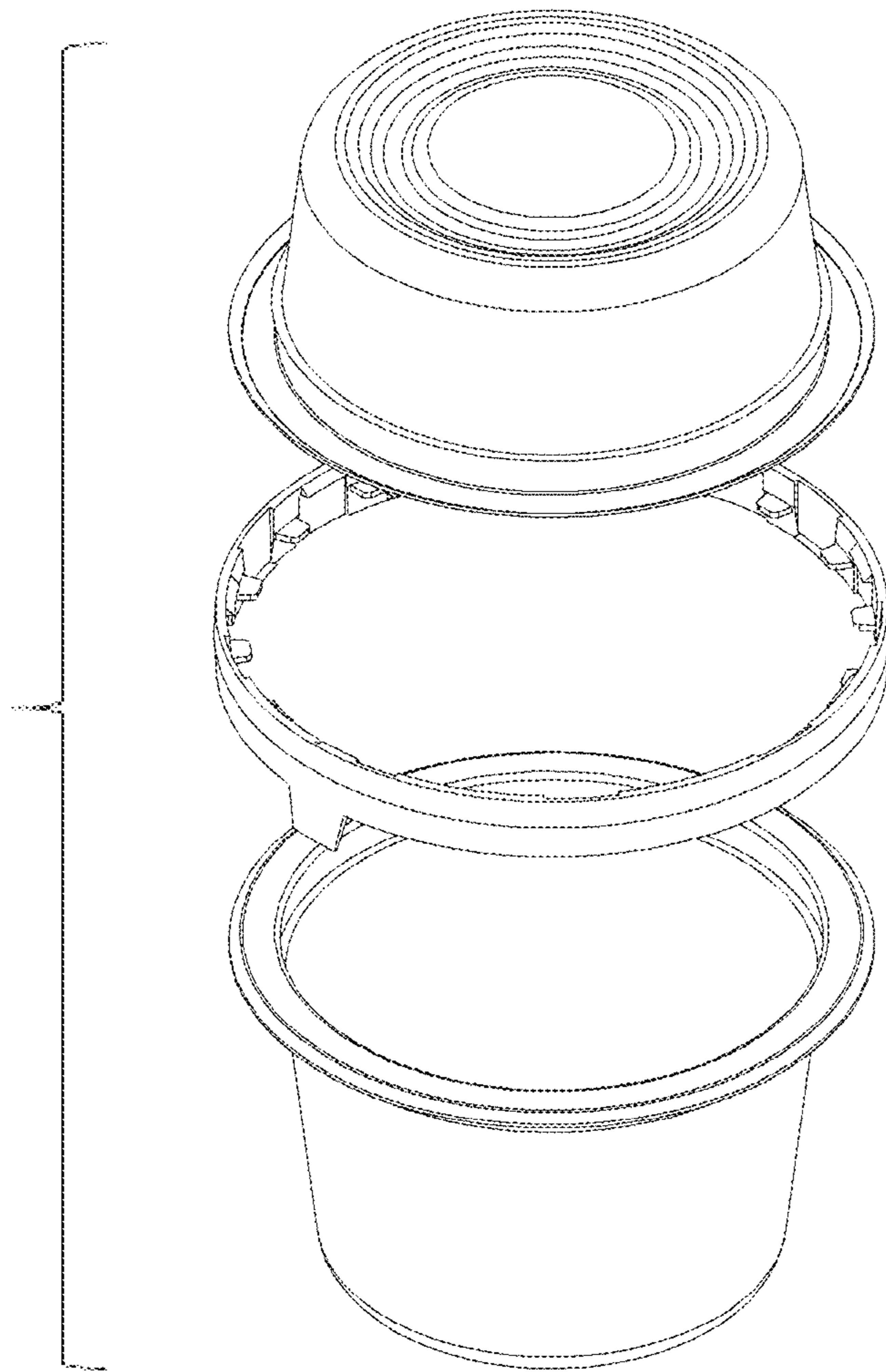


FIG. 11