



US00D971721S

(12) **United States Design Patent** (10) **Patent No.:** **US D971,721 S**
Luo et al. (45) **Date of Patent:** **** Dec. 6, 2022**

(54) **FASTENING NUT** 7,347,655 B2 * 3/2008 Nagasawa B62D 25/24
 24/297
 (71) Applicant: **ILLINOIS TOOL WORKS INC.,** D617,178 S * 6/2010 Sakai D8/382
 Glenview, IL (US) D652,782 S * 1/2012 Sato D12/400
 8,297,899 B2 * 10/2012 Maloney B21K 1/58
 411/501
 (72) Inventors: **Zheng Luo**, Shanghai (CN); **Zhaobao** 8,616,039 B2 * 12/2013 Maloney F16B 19/06
Cao, Shanghai (CN); **Zhilin Li**,
 Shanghai (CN) D813,024 S * 3/2018 Neef D8/382
 D818,811 S * 5/2018 Hattori D8/397
 D818,812 S * 5/2018 Schrawder D8/397
 (73) Assignee: **Illinois Tool Works Inc.**, Glenview, IL D826,155 S * 8/2018 Baiz D13/122
 (US) 2021/0222724 A1 * 7/2021 Luo F16B 37/067

(**) Term: **15 Years**

(21) Appl. No.: **29/741,437**

(22) Filed: **Jul. 13, 2020**

(30) **Foreign Application Priority Data**

Jan. 16, 2020 (CN) 202030030909.8

(51) **LOC (13) Cl.** **08-08**

(52) **U.S. Cl.**
USPC **D8/397**

(58) **Field of Classification Search**
USPC 411/295, 393, 427, 429, 432, 918, 179,
411/180, 190, 327, 53; D8/397, 394,
D8/382, 349, 399; 248/154; 403/376
CPC F16B 31/02; F16B 41/002; F16B 23/0061;
F16B 39/025; F16B 39/02
See application file for complete search history.

(56) **References Cited**

U.S. PATENT DOCUMENTS

D286,744 S * 11/1986 Bethea D8/399
 5,980,177 A * 11/1999 Schiess F16B 37/085
 411/437
 6,319,436 B1 * 11/2001 Jaeger B29C 44/086
 264/40.6
 D494,887 S * 8/2004 Walraven D11/200

* cited by examiner

Primary Examiner — Cynthia R Underwood
(74) *Attorney, Agent, or Firm* — Quarles & Brady LLP

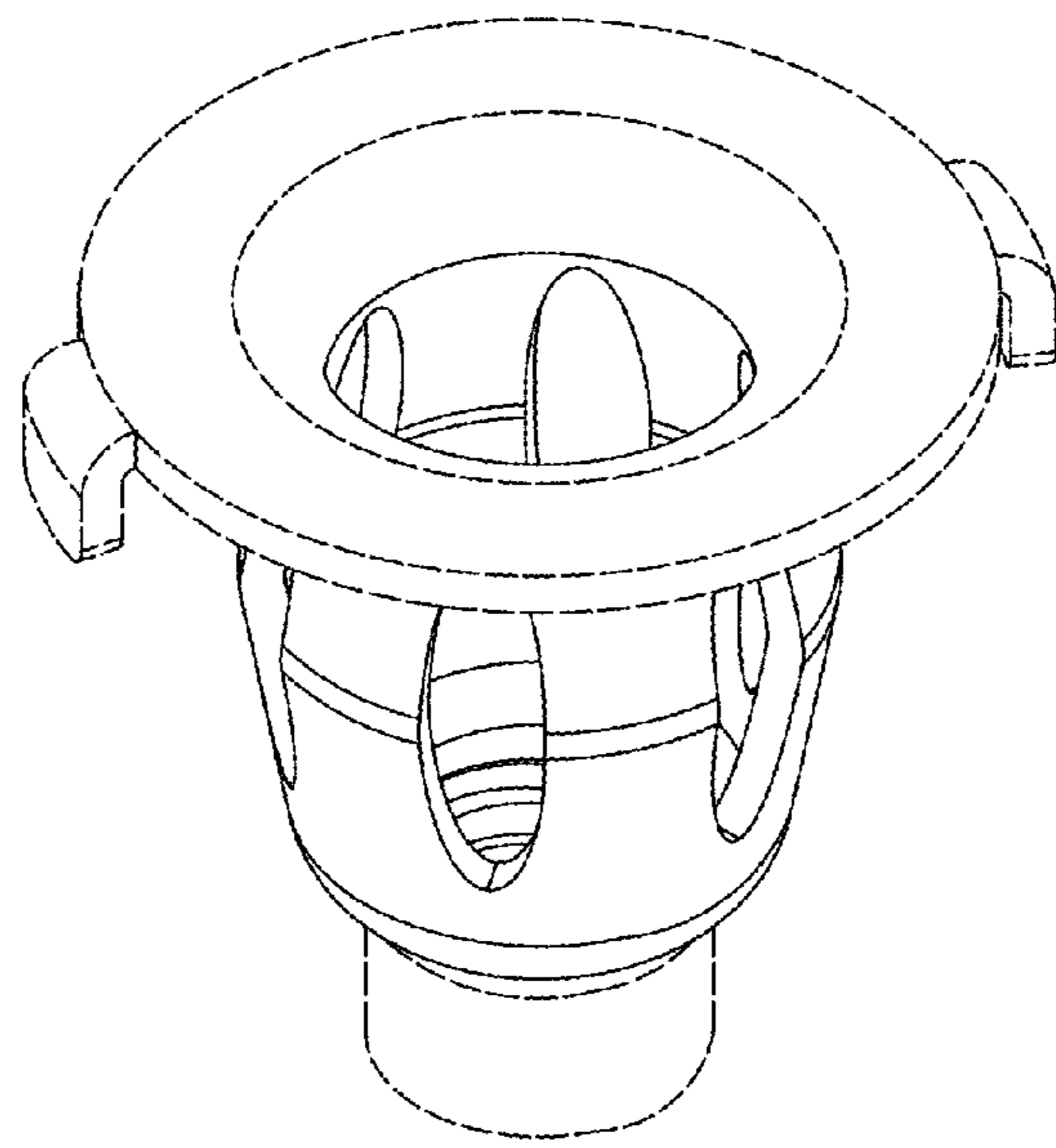
(57) **CLAIM**

The ornamental design for a fastening nut, as shown and described.

DESCRIPTION

FIG. 1 is an isometric view of a front, top, and left side of a fastening nut;
 FIG. 2 is an isometric view of a front, bottom, and right side of the fastening nut of FIG. 1;
 FIG. 3 is a front elevational view of the fastening nut of FIG. 1;
 FIG. 4 is a rear elevational view of the fastening nut of FIG. 1;
 FIG. 5 is a left side elevational view of the fastening nut of FIG. 1;
 FIG. 6 is a right side elevational view of the fastening nut of FIG. 1;
 FIG. 7 is a top plan view of the fastening nut of FIG. 1; and,
 FIG. 8 is a bottom plan view of the fastening nut of FIG. 1.
 The dash-dash-dash lines are included for the purpose of illustrating portions of the fastening nut that form no part of the claimed design.

1 Claim, 5 Drawing Sheets



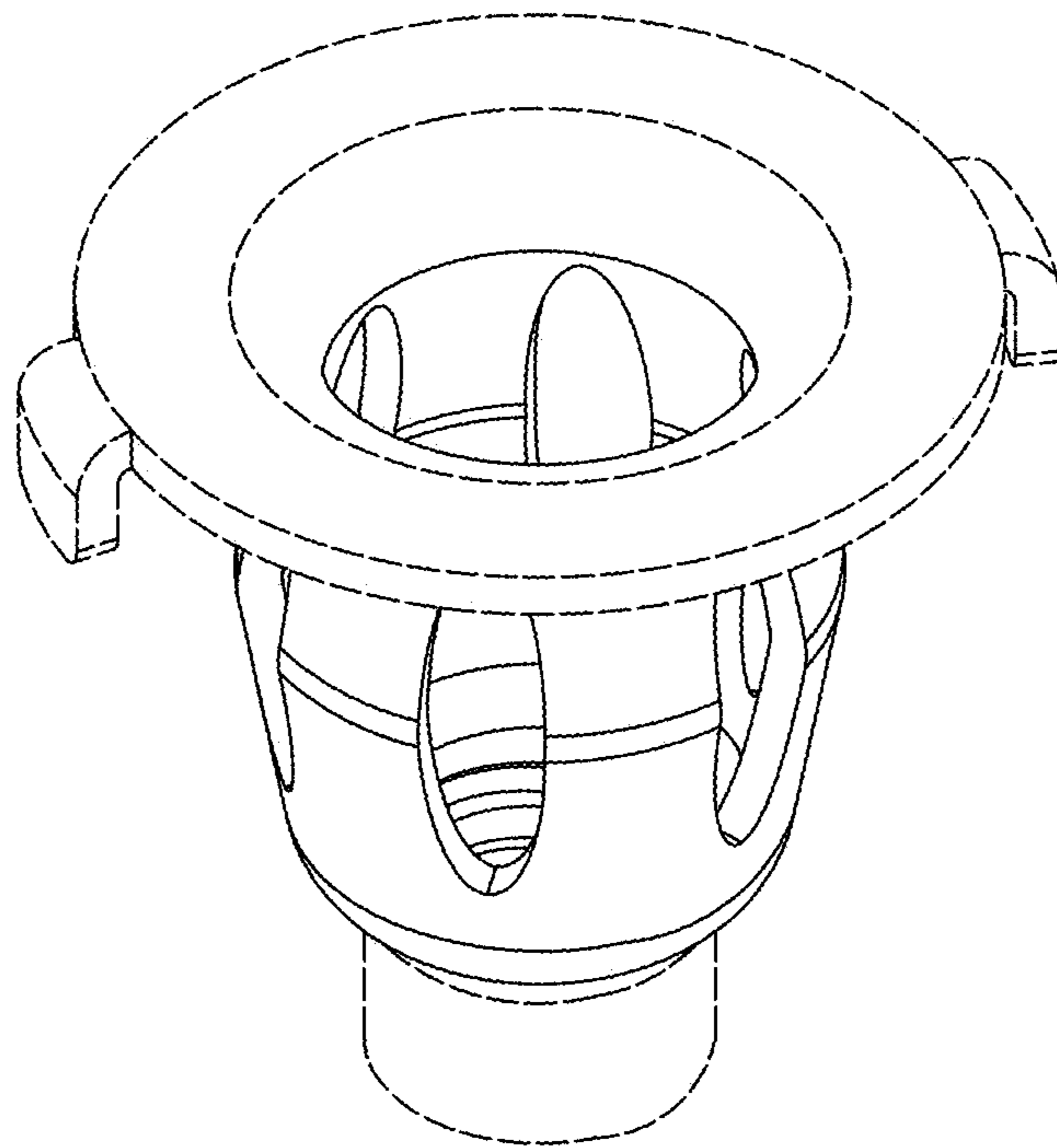


FIG. 1

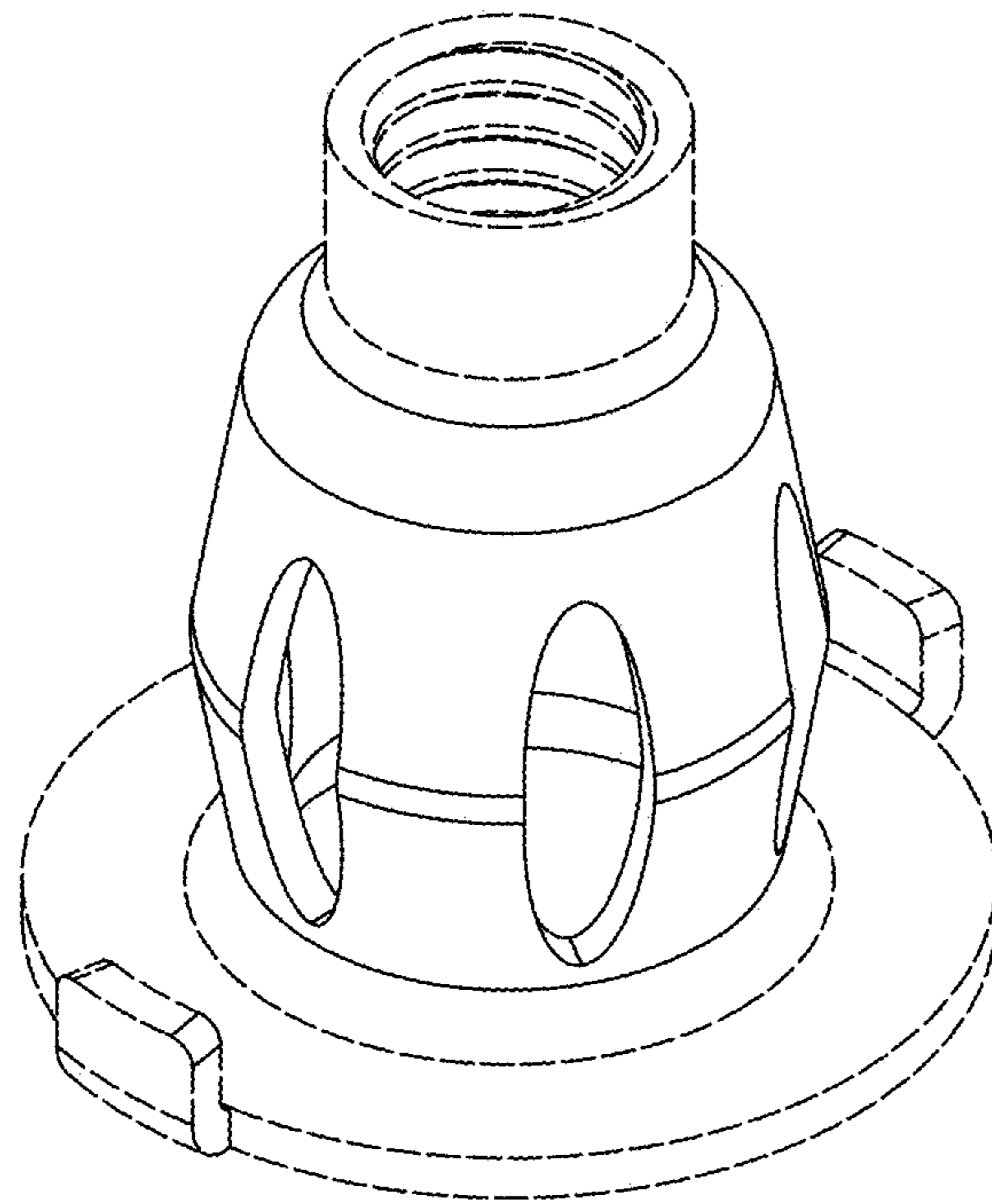


FIG. 2

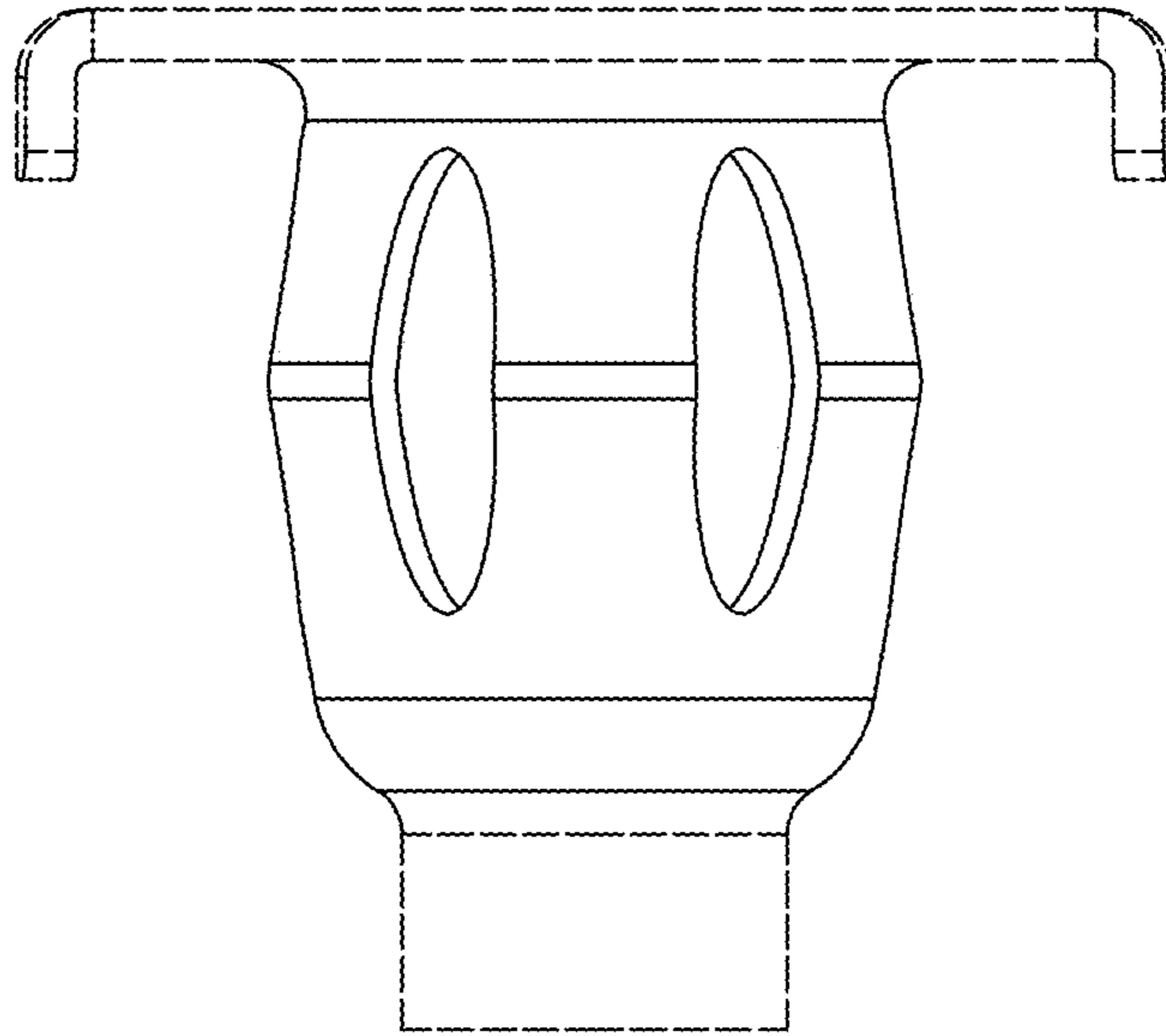


FIG. 3

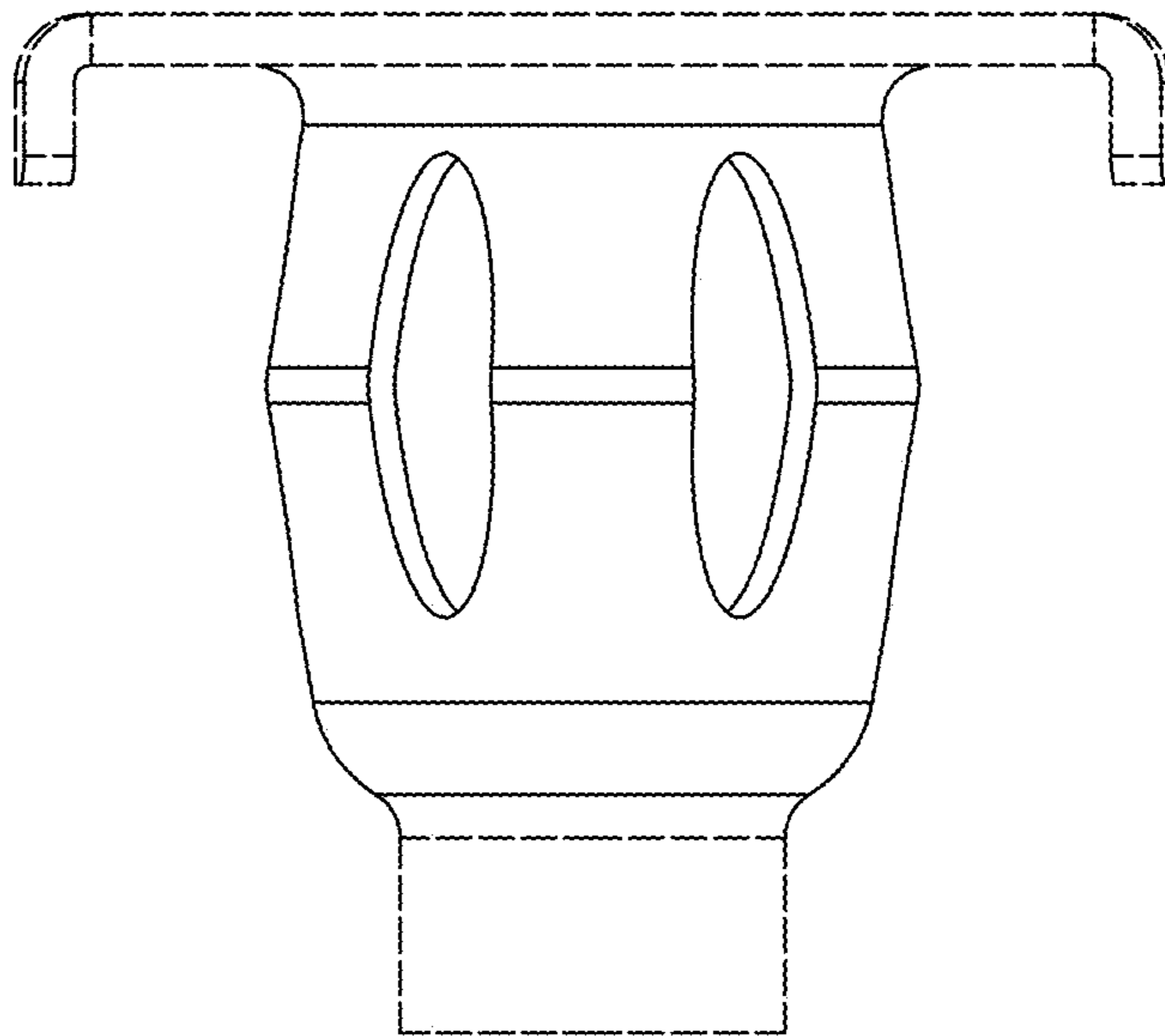


FIG. 4

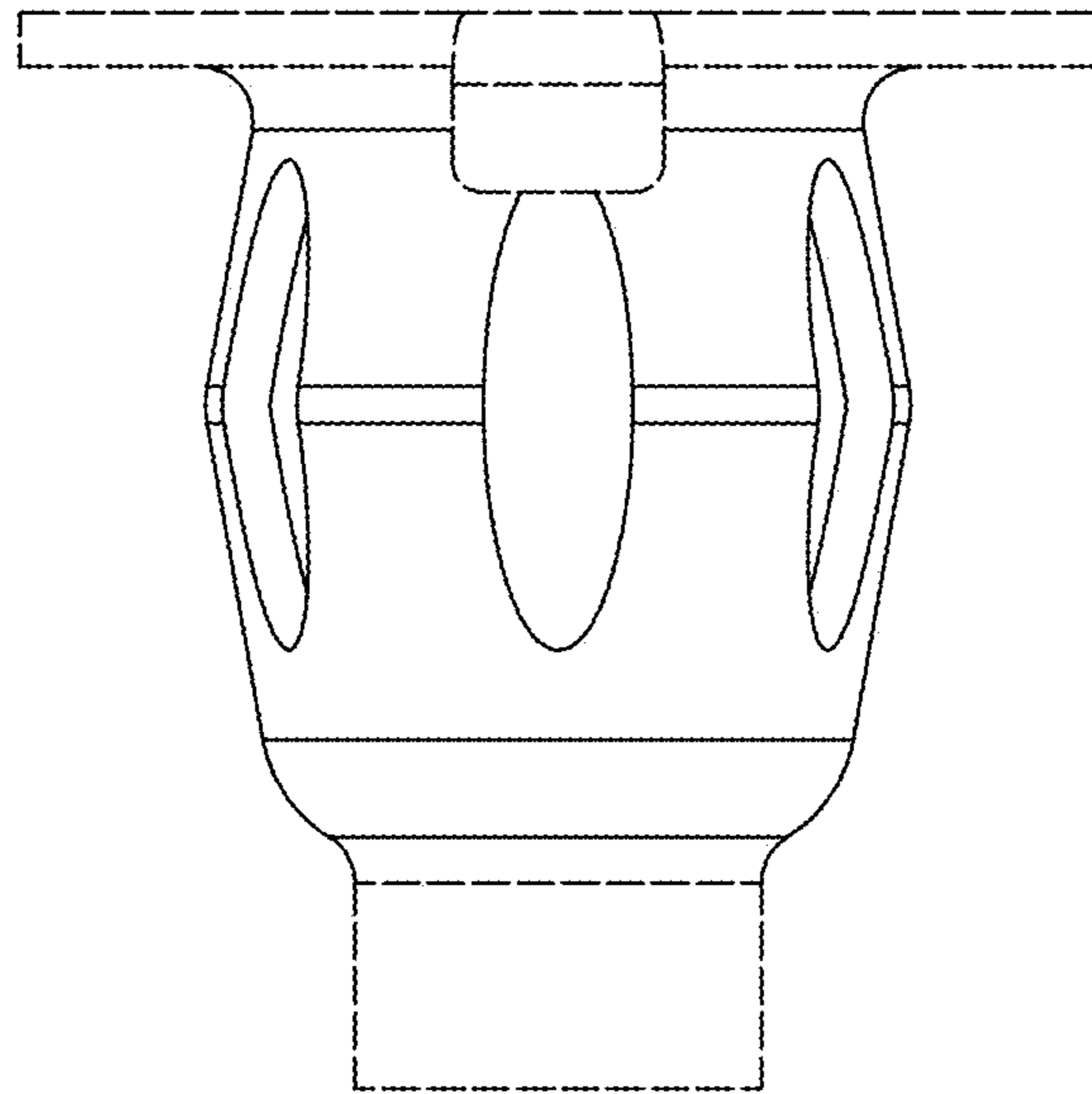


FIG. 5

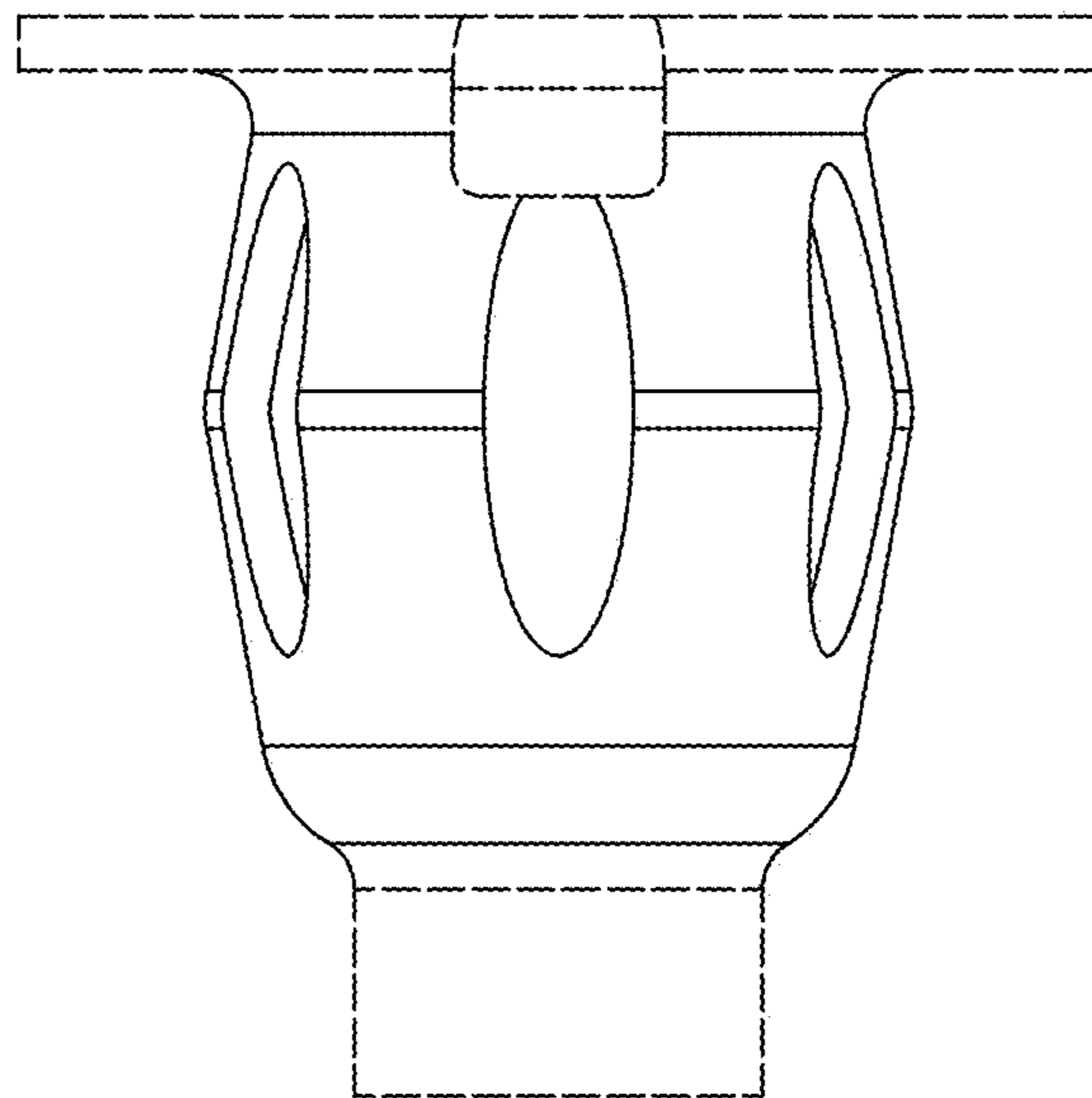


FIG. 6

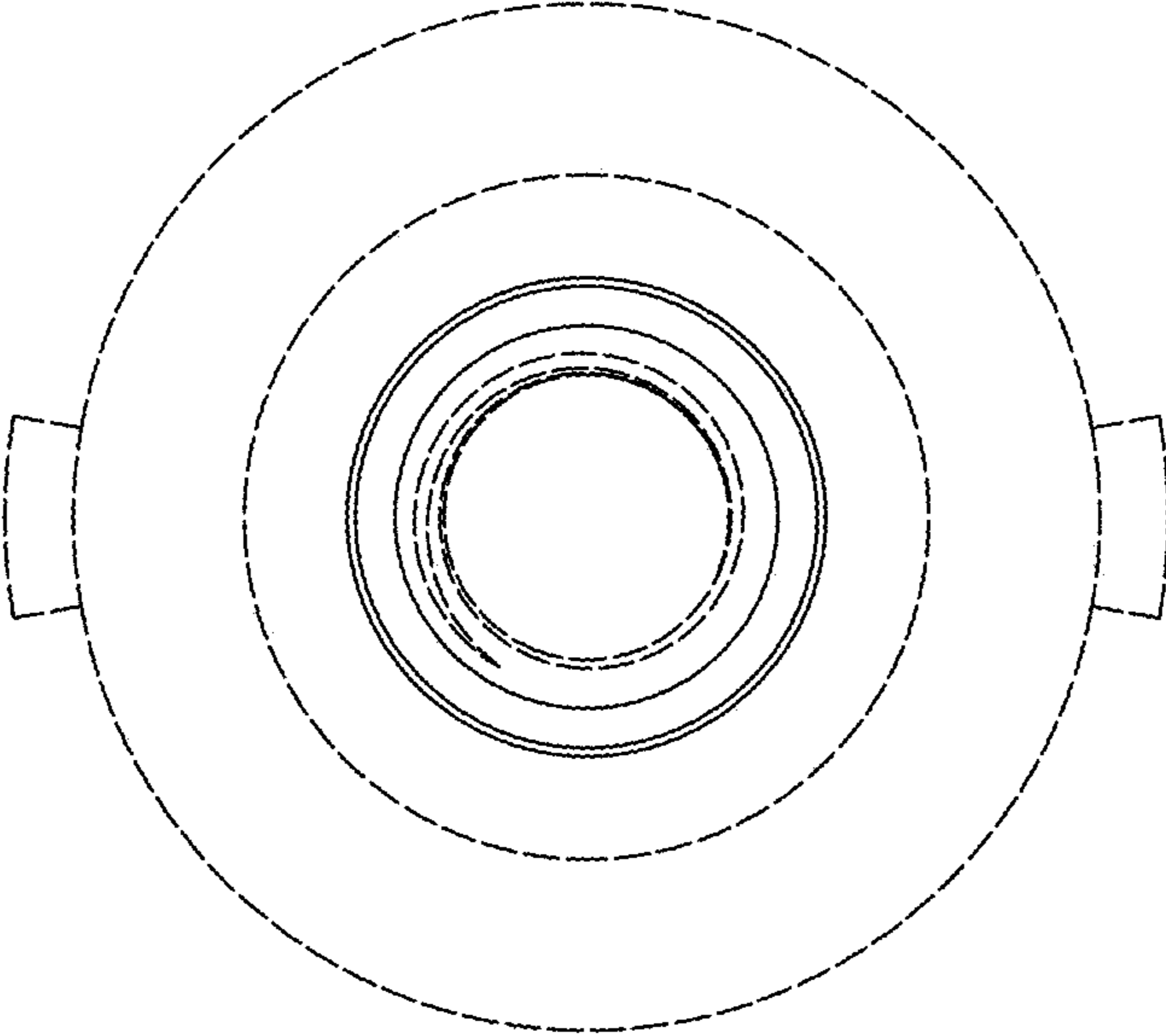


FIG. 7

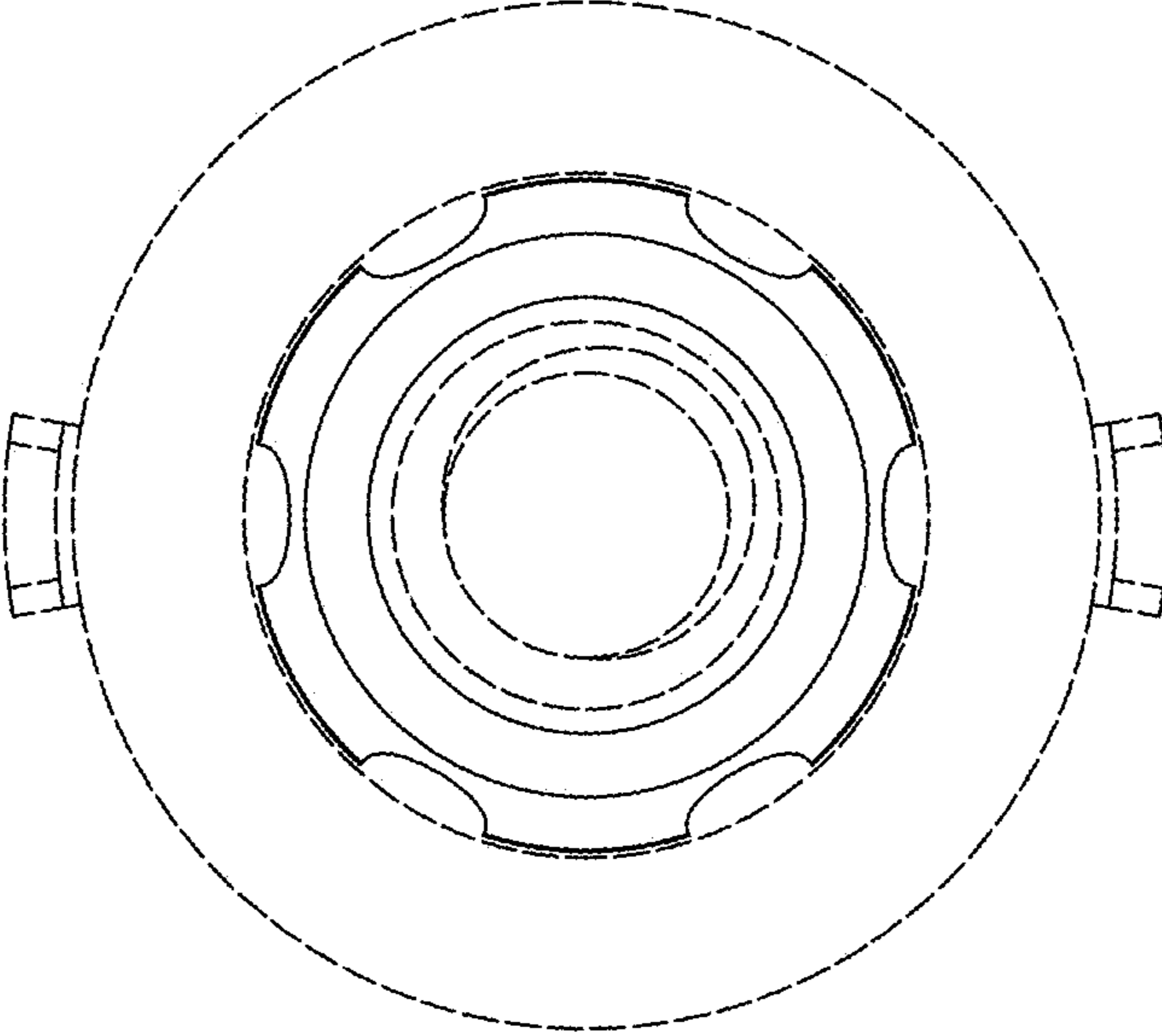


FIG. 8