



US00D971719S

(12) **United States Design Patent** (10) **Patent No.:** **US D971,719 S**
Heindl (45) **Date of Patent:** **** Dec. 6, 2022**

(54) **SHEET PILE CONNECTOR** 2,332,812 A 10/1943 Rieger et al.
D242,035 S 10/1976 Drawsky
(71) Applicant: **Richard Heindl**, Gräfelfing (DE) D313,478 S 1/1991 Whitney
5,292,208 A * 3/1994 Berger E02D 5/12
(72) Inventor: **Richard Heindl**, Gräfelfing (DE) D348,110 S * 6/1994 Scherrer D25/119
6,000,883 A 12/1999 Irvine et al.
(**) Term: **15 Years** D465,288 S 11/2002 Wall
D471,083 S 3/2003 Wall
(21) Appl. No.: **29/725,964** D479,797 S 9/2003 Wall
D479,798 S 9/2003 Wall
(22) Filed: **Feb. 28, 2020** (Continued)

(30) **Foreign Application Priority Data**
Sep. 2, 2019 (EM) 006809612-0001
(51) **LOC (13) Cl.** **08-08**
(52) **U.S. Cl.**
USPC **D8/382**
(58) **Field of Classification Search**
USPC D8/382, 394, 395; D25/119
CPC E02D 5/02; E02D 5/04; E02D 5/06; E02D
5/08; E02D 5/12; Y10T 403/73
See application file for complete search history.

FOREIGN PATENT DOCUMENTS

DE 2819737 11/1979
DE 10307414 9/2004
(Continued)

OTHER PUBLICATIONS

Office Action issued for U.S. Appl. No. 29/650,670, dated May 3, 2019.
(Continued)

(56) **References Cited**
U.S. PATENT DOCUMENTS
850,496 A 4/1907 Schuchart
904,156 A 11/1908 Slick
1,098,077 A 5/1914 Annison
1,431,274 A 10/1922 Webb
1,460,263 A * 6/1923 Ver Mehr E02D 5/04
405/281
1,837,787 A 12/1931 Josef
1,851,864 A 3/1932 Nolte
1,862,426 A 6/1932 Walther
1,918,886 A 7/1933 Amand
1,937,758 A * 12/1933 Harris E02D 5/08
405/279
2,018,625 A 10/1935 Grave
2,020,795 A 11/1935 Nolte
2,104,490 A 1/1938 Kohler
2,128,740 A 8/1938 Dougherty

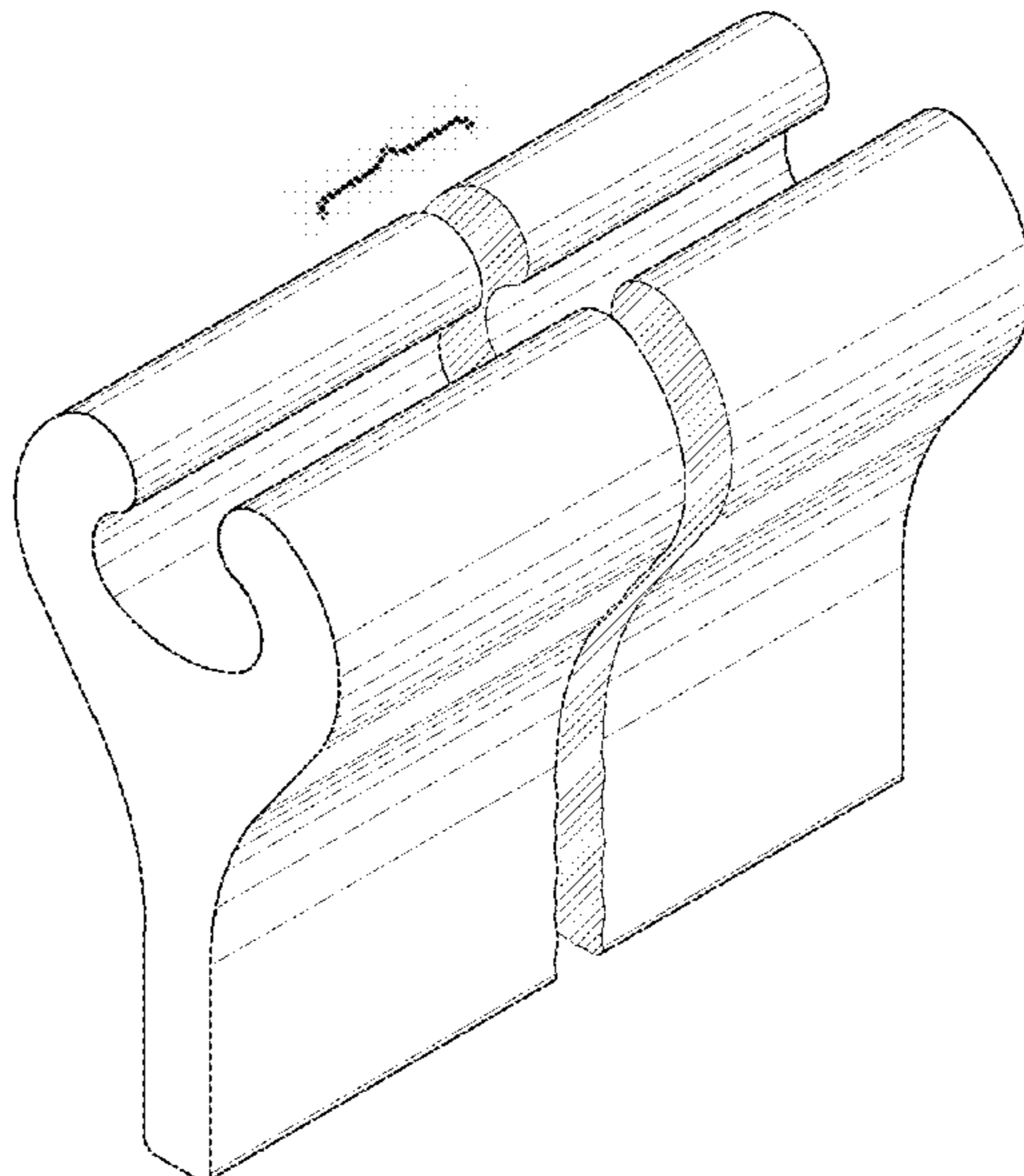
Primary Examiner — Sheryl Lane
Assistant Examiner — Ieisha N Price
(74) *Attorney, Agent, or Firm* — Meunier Carlin & Curfman LLC

(57) **CLAIM**
The ornamental design for a sheet pile connector, as shown and described.

DESCRIPTION

FIG. 1 is a front perspective view of my new design; and, FIG. 2 is a side view thereof.
The appearance of any portion of the article between the break lines shown in FIG. 1 forms no part of the claimed design.

1 Claim, 2 Drawing Sheets



(56)

References Cited

U.S. PATENT DOCUMENTS

D479,983 S 9/2003 Wall
 D484,991 S 1/2004 Davies
 7,018,140 B1 * 3/2006 Hartman E02D 5/02
 405/276
 D527,248 S * 8/2006 Heindl D8/382
 D541,638 S 5/2007 Heindl
 D541,642 S 5/2007 Heindl
 D542,643 S 5/2007 Heindl
 D543,100 S 5/2007 Heindl
 D543,101 S 5/2007 Heindl
 D543,841 S 6/2007 Heindl
 D549,493 S 8/2007 Petrick
 D618,990 S * 7/2010 Heindl D8/382
 D618,991 S 7/2010 Heindl
 D621,248 S 8/2010 Heindl
 D621,251 S * 8/2010 Heindl D8/382
 D621,252 S 8/2010 Heindl
 D623,930 S 9/2010 Austro
 D626,828 S 11/2010 Austro
 D637,476 S 5/2011 Hanna
 7,935,406 B2 5/2011 Heindl
 D640,533 S * 6/2011 Austro D8/382
 D640,535 S 6/2011 Austro
 D643,132 S 8/2011 MacKenzie
 8,088,469 B2 1/2012 Heindl
 D665,658 S 8/2012 Heindl
 D665,660 S 8/2012 Heindl
 D666,484 S * 9/2012 Heindl D8/382
 D669,135 S 10/2012 Garfinkle
 8,323,765 B2 12/2012 Heindl
 D681,428 S 5/2013 Heindl
 D681,429 S 5/2013 Heindl
 D681,430 S 5/2013 Heindl
 D681,431 S 5/2013 Heindl
 D697,255 S 1/2014 Wang
 D704,769 S 5/2014 Penington
 D706,125 S 6/2014 Heindl
 D801,794 S * 11/2017 Heindl D8/382
 D807,159 S * 1/2018 Heindl D8/382
 D823,099 S * 7/2018 Wuensch D8/382
 D823,483 S * 7/2018 Wuensch D25/119
 D832,088 S 10/2018 Heindl
 D832,089 S 10/2018 Heindl
 D832,091 S 10/2018 Heindl
 D832,687 S 11/2018 Heindl
 D832,688 S 11/2018 Heindl
 D847,382 S 4/2019 Seiler
 D861,469 S 10/2019 Heindl
 D868,570 S 12/2019 Heindl
 D868,571 S * 12/2019 Heindl D8/382
 D876,937 S * 3/2020 Heindl D8/382
 D880,487 S 4/2020 Martin
 D887,824 S * 6/2020 Heindl D8/382

D902,624 S 11/2020 Fons
 D915,723 S 4/2021 Wood
 D917,125 S 4/2021 Wood
 2005/0076595 A1 4/2005 Wall
 2005/0163575 A1 7/2005 Dagher et al.
 2005/0238443 A1 10/2005 Heindl
 2006/0179771 A1 * 8/2006 Heindl E02D 5/04
 52/588.1
 2006/0283139 A1 * 12/2006 Wall E02D 5/04
 52/782.1
 2007/0147962 A1 * 6/2007 Wendt E04B 1/24
 405/279
 2008/0145153 A1 6/2008 Wendt et al.
 2009/0191008 A1 7/2009 Heindl
 2014/0219715 A1 * 8/2014 Wolf E02D 5/06
 403/381

FOREIGN PATENT DOCUMENTS

DE 10318769 9/2004
 EM 004540722-0010 * 6/2018
 EP 0866174 9/1998
 EP 3543406 9/2019
 GB 190914951 1/1910
 GB 295996 4/1929
 GB 318893 12/1930
 GB 437932 11/1935
 WO 2005038148 4/2005
 WO 2005111315 11/2005
 WO 2007006567 1/2007
 WO 2013079789 6/2013

OTHER PUBLICATIONS

Office Action issued for U.S. Appl. No. 29/650,670, dated Nov. 22, 2019.
 Notice of Allowance issued for U.S. Appl. No. 29/650,670, dated Jan. 8, 2020.
 Office Action issued for U.S. Appl. No. 29/650,671, dated May 2, 2019.
 Notice of Allowance issued for U.S. Appl. No. 29/650,671, dated Sep. 4, 2019.
 Notice of Allowance issued for U.S. Appl. No. 29/650,672, dated May 6, 2019.
 Office Action issued for U.S. Appl. No. 29/650,674, dated May 2, 2019.
 Notice of Allowance issued for U.S. Appl. No. 29/650,674, dated Aug. 27, 2019.
 Notice of Allowance issued for co-pending U.S. Appl. No. 29/690,090, dated Apr. 29, 2020.
 Notice of Allowance issued in U.S. Appl. No. 29/762,542, dated Dec. 9, 2021.

* cited by examiner

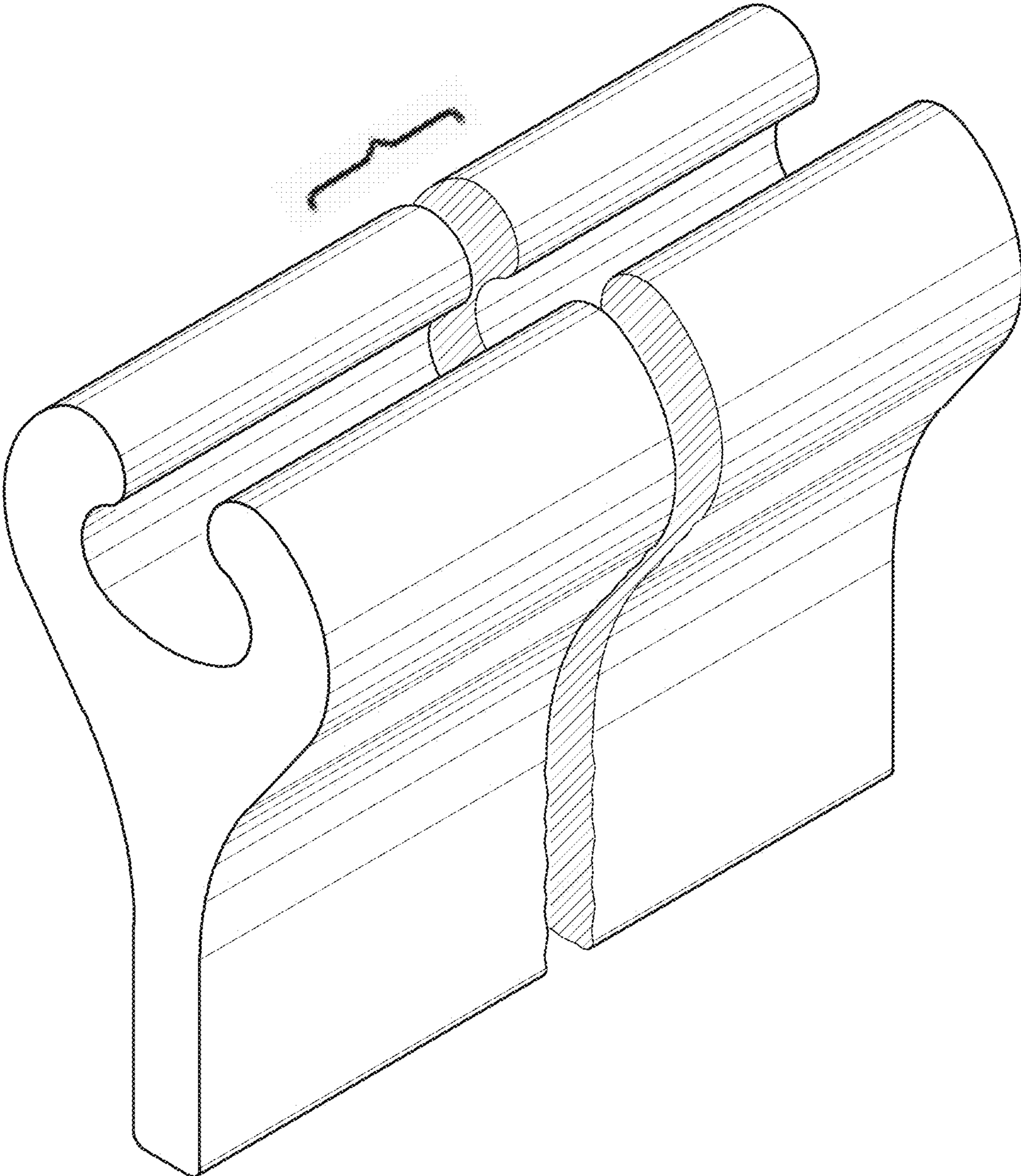


FIG. 1

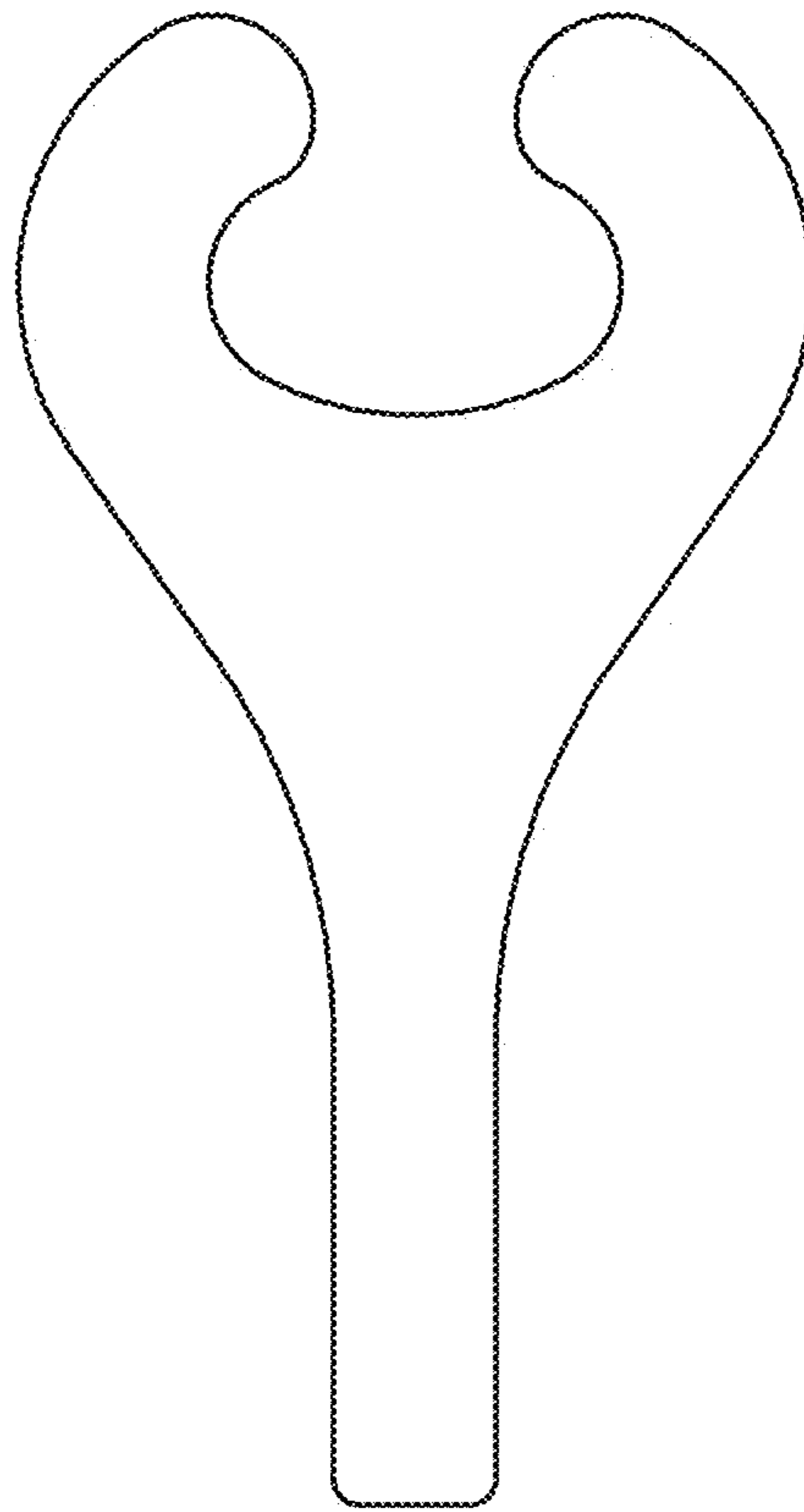


FIG. 2