



US00D971717S

(12) **United States Design Patent**
Landgren

(10) **Patent No.:** **US D971,717 S**

(45) **Date of Patent:** **** Dec. 6, 2022**

- (54) **BASKET SUPPORT BRACKET**
- (71) Applicant: **Carl Landgren**, Milwaukee, WI (US)
- (72) Inventor: **Carl Landgren**, Milwaukee, WI (US)
- (**) Term: **15 Years**
- (21) Appl. No.: **29/681,074**
- (22) Filed: **Feb. 22, 2019**
- (51) **LOC (13) Cl.** **08-05**
- (52) **U.S. Cl.**
USPC **D8/380**
- (58) **Field of Classification Search**
USPC D8/383, 374, 300, 303, 313, 314, 394,
D8/396, 380, 373, 395, 363, 381, 44, 19,
D8/32, 370, 308, 372, 376
CPC A47B 57/40; A47B 57/408; A47B 96/067
See application file for complete search history.

- D529,792 S * 10/2006 Klein D8/373
- D549,562 S * 8/2007 Browne D8/373
- D592,491 S * 5/2009 Kirby D8/380
- 8,746,472 B2 * 6/2014 Thrush F16M 13/022
211/94.01
- D733,538 S * 7/2015 Nagel D8/363
- 11,272,795 B2 * 3/2022 Landgren A47B 96/067
- 2019/0380489 A1 * 12/2019 Gordon A47B 81/00
- 2020/0268176 A1 * 8/2020 Landgren A47B 96/067

* cited by examiner

Primary Examiner — Keli L Hill

Assistant Examiner — Harold E Blackwell, II

(74) *Attorney, Agent, or Firm* — Boyle Fredrickson, S.C.

(57) **CLAIM**

The ornamental design of a basket support bracket, as shown and described.

(56) **References Cited**

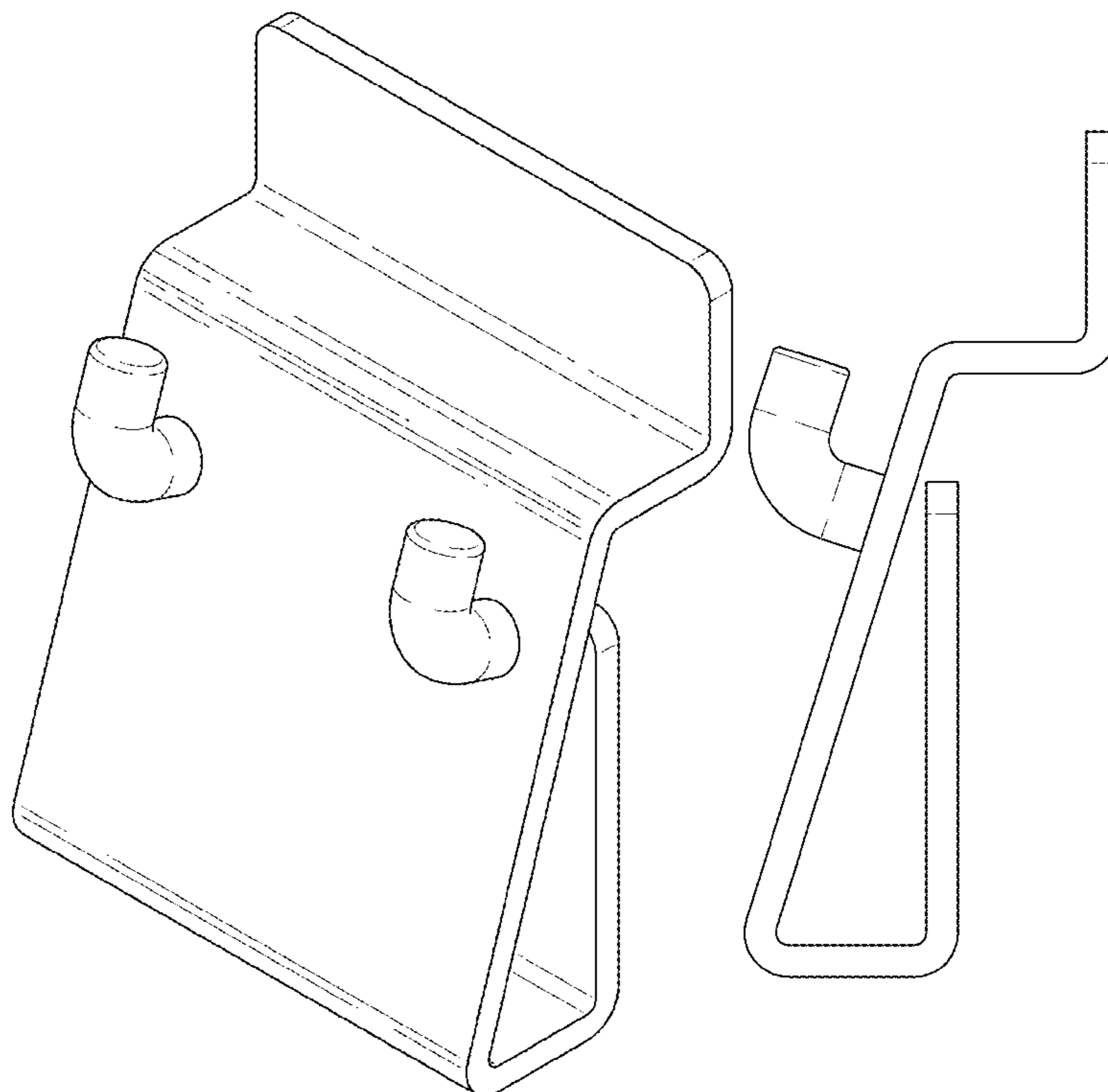
U.S. PATENT DOCUMENTS

- 3,985,325 A * 10/1976 Ginsburg A47F 5/0823
248/220.22
- 4,026,508 A * 5/1977 Ziegler A47F 5/0823
248/314
- D279,450 S * 7/1985 Chap D8/367
- D281,575 S * 12/1985 Chap D8/367
- 4,783,033 A * 11/1988 Valiulis A47F 5/0823
248/220.22
- D315,093 S * 3/1991 Hanna D8/380
- D442,076 S * 5/2001 Swanson D8/373
- D470,397 S * 2/2003 Valiulis D8/371
- D494,842 S * 8/2004 Perkins D8/354

DESCRIPTION

FIG. 1 is a top isometric view of a basket support bracket showing my new design;
 FIG. 2 is a front elevation view thereof
 FIG. 3 is a rear elevation view thereof;
 FIG. 4 is a right-side elevation view thereof, the left side elevation view being a mirror image thereof;
 FIG. 5 is a top plan view thereof;
 FIG. 6 is a bottom plan view thereof; and,
 FIG. 7 is a bottom isometric view of a basket support bracket showing my new design.

1 Claim, 7 Drawing Sheets



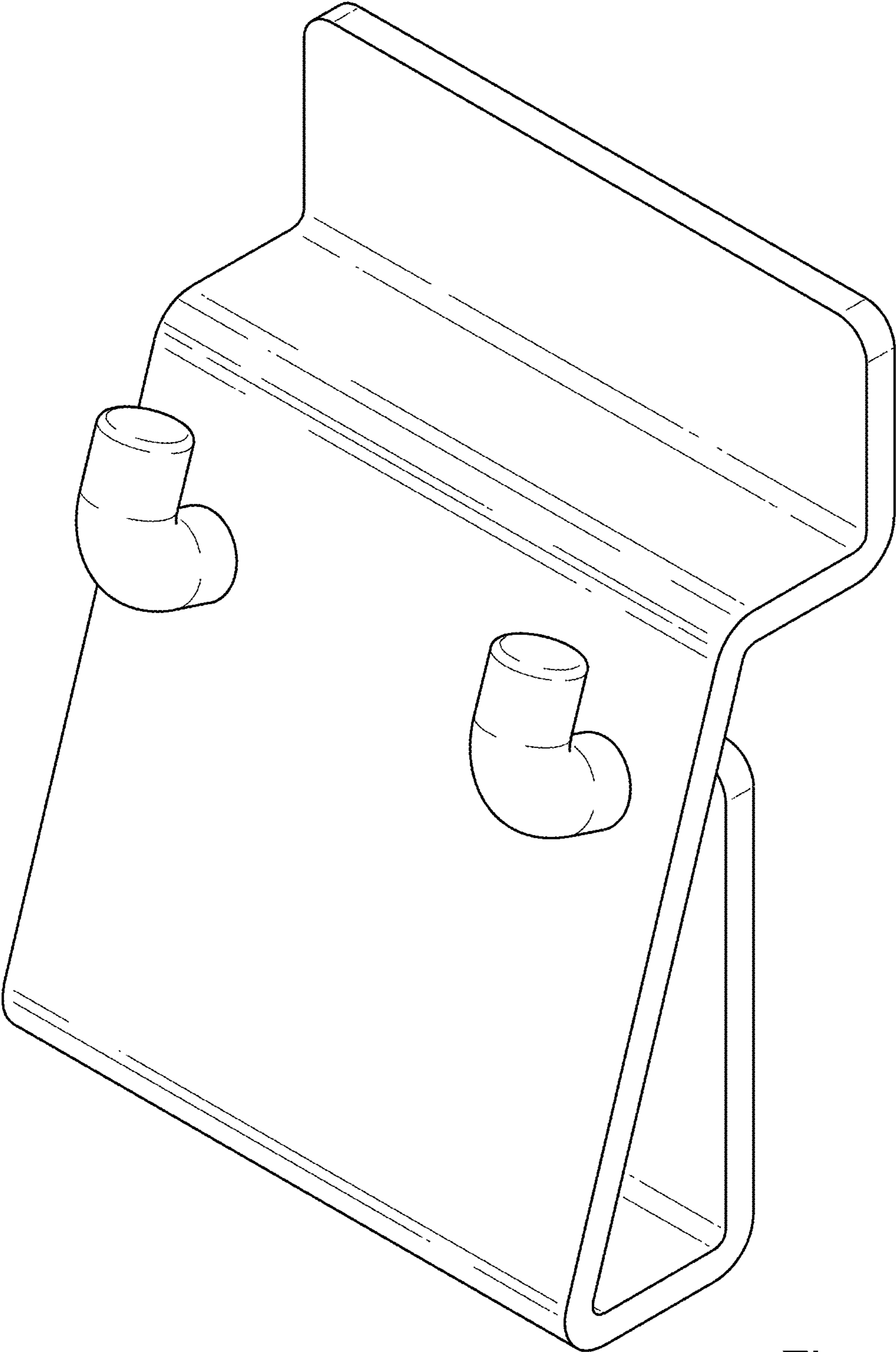


Figure 1

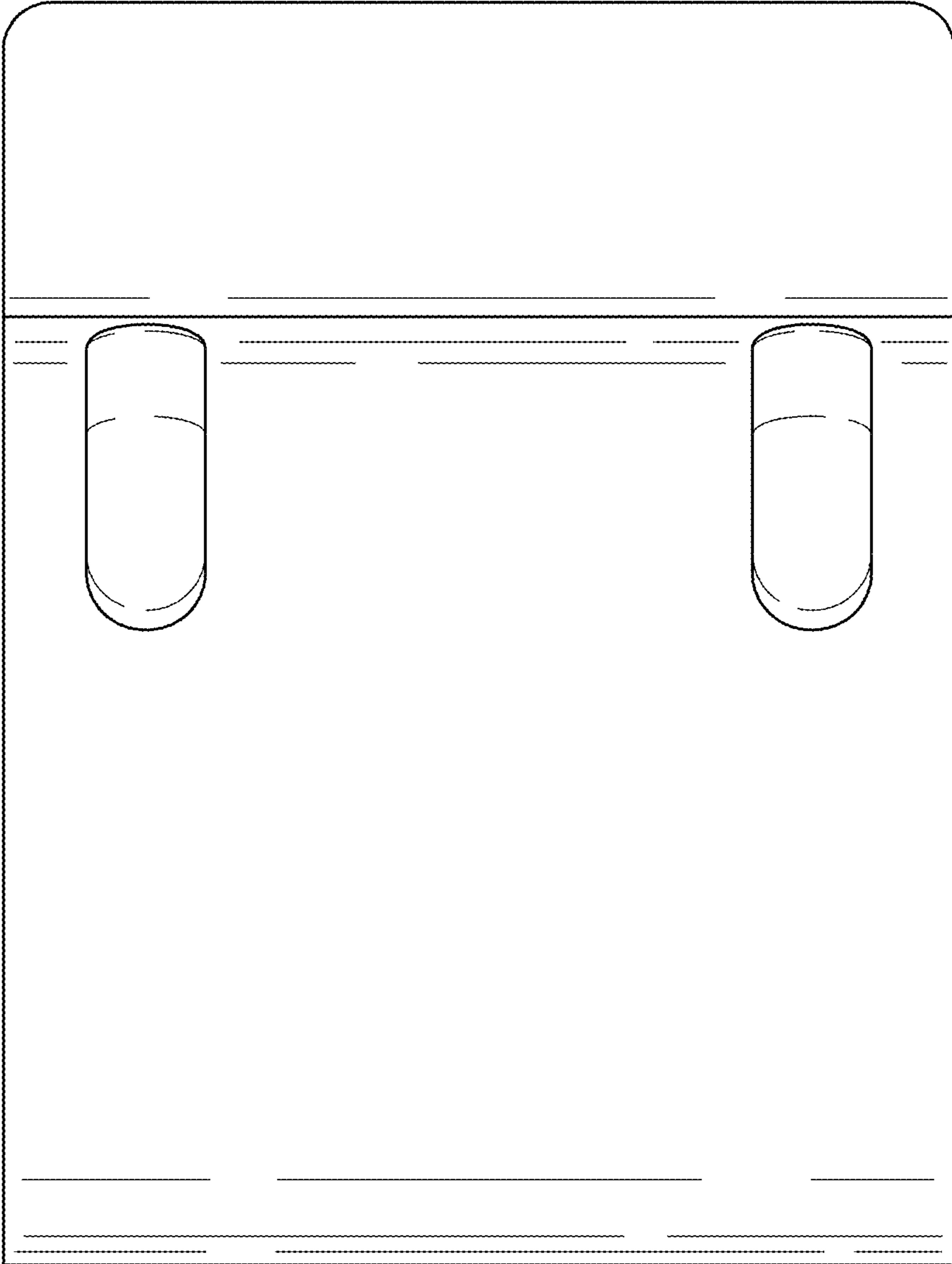


Figure 2

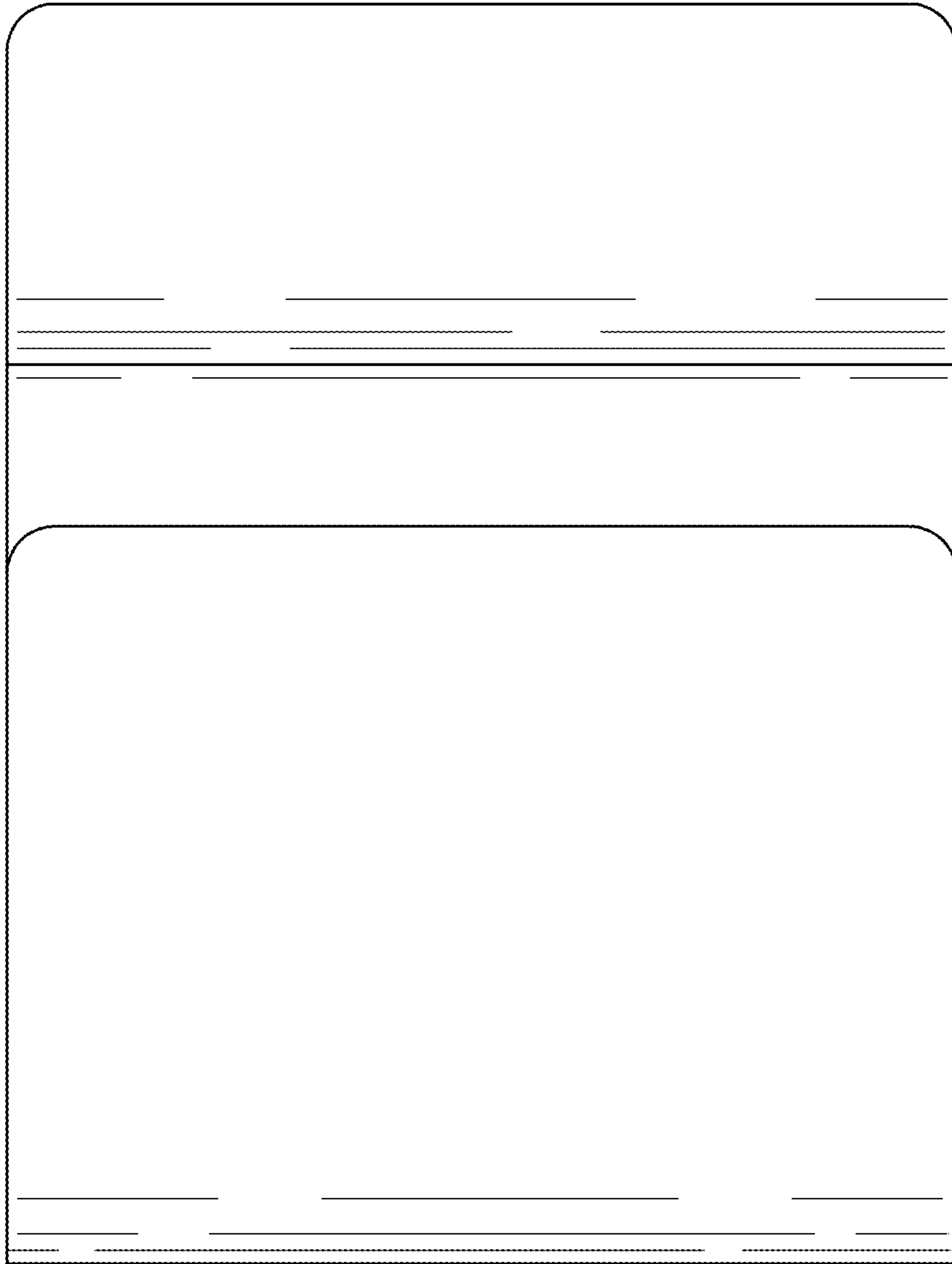


Figure 3

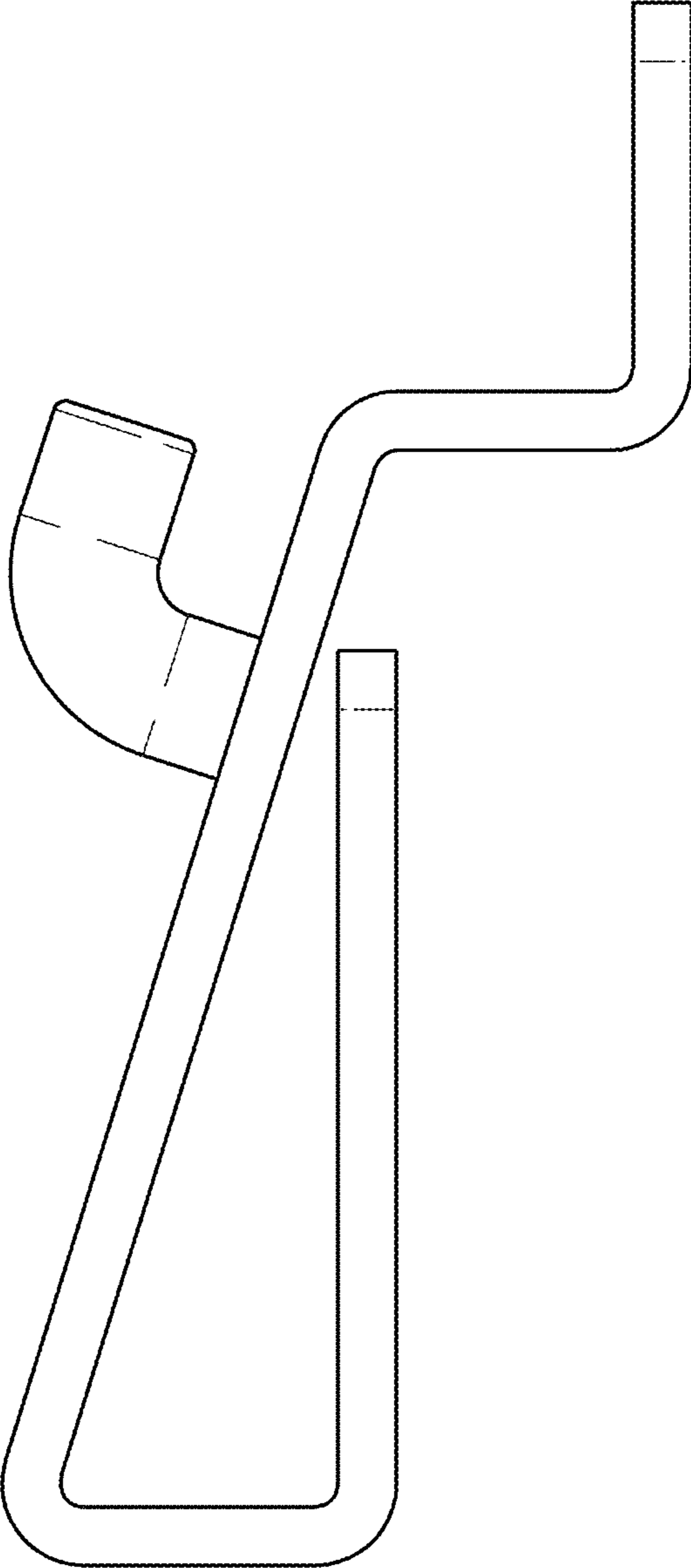


Figure 4

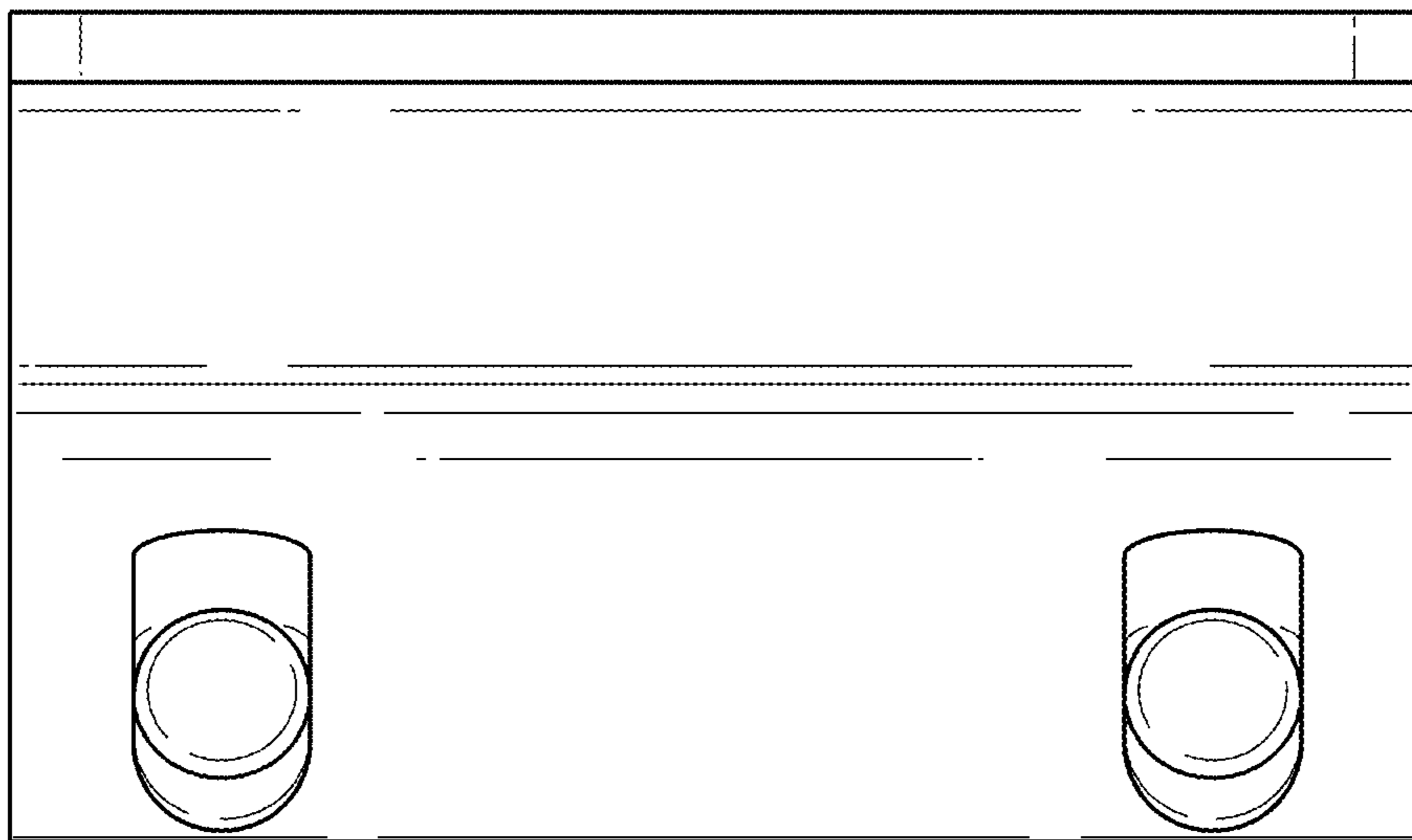


Figure 5

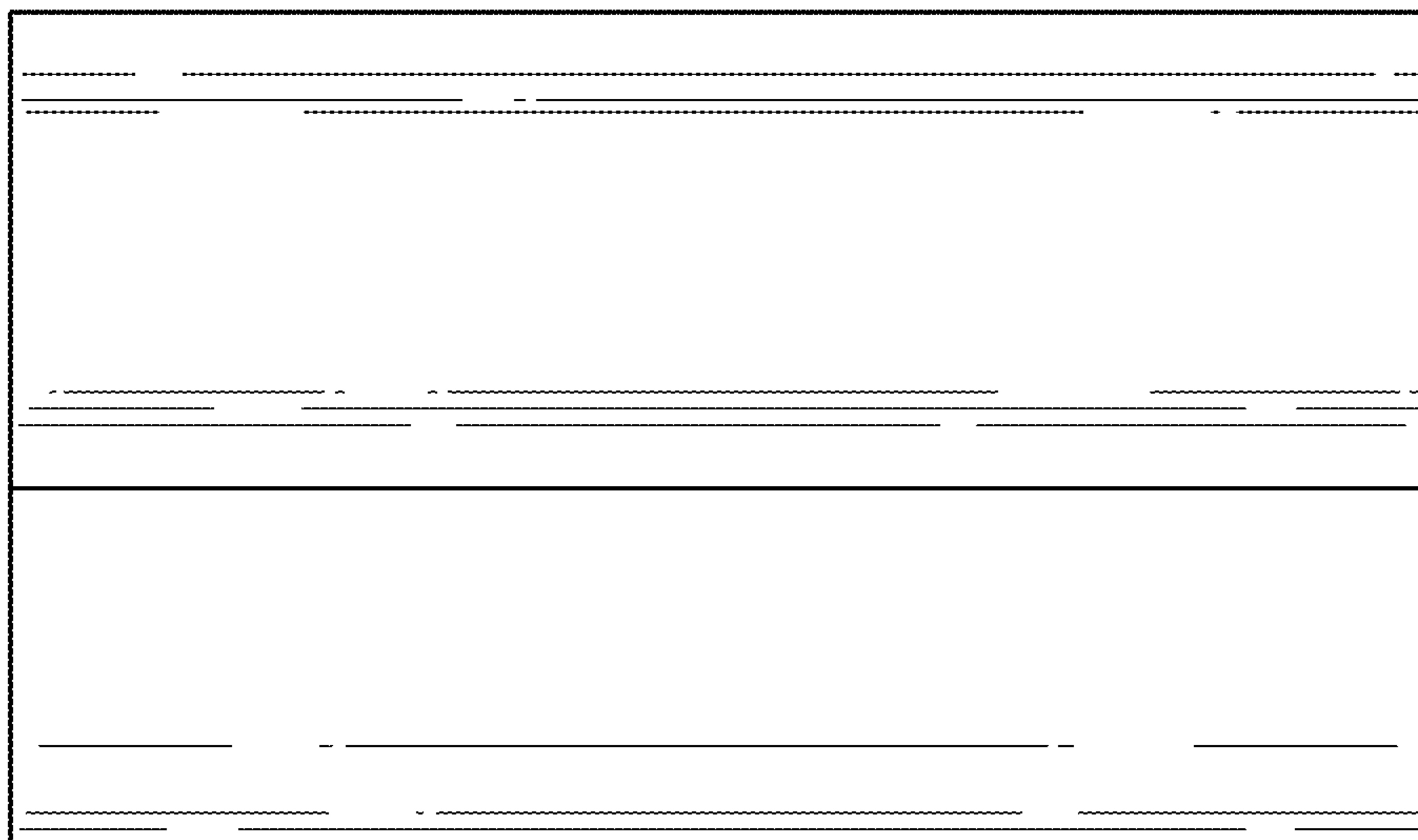


Figure 6

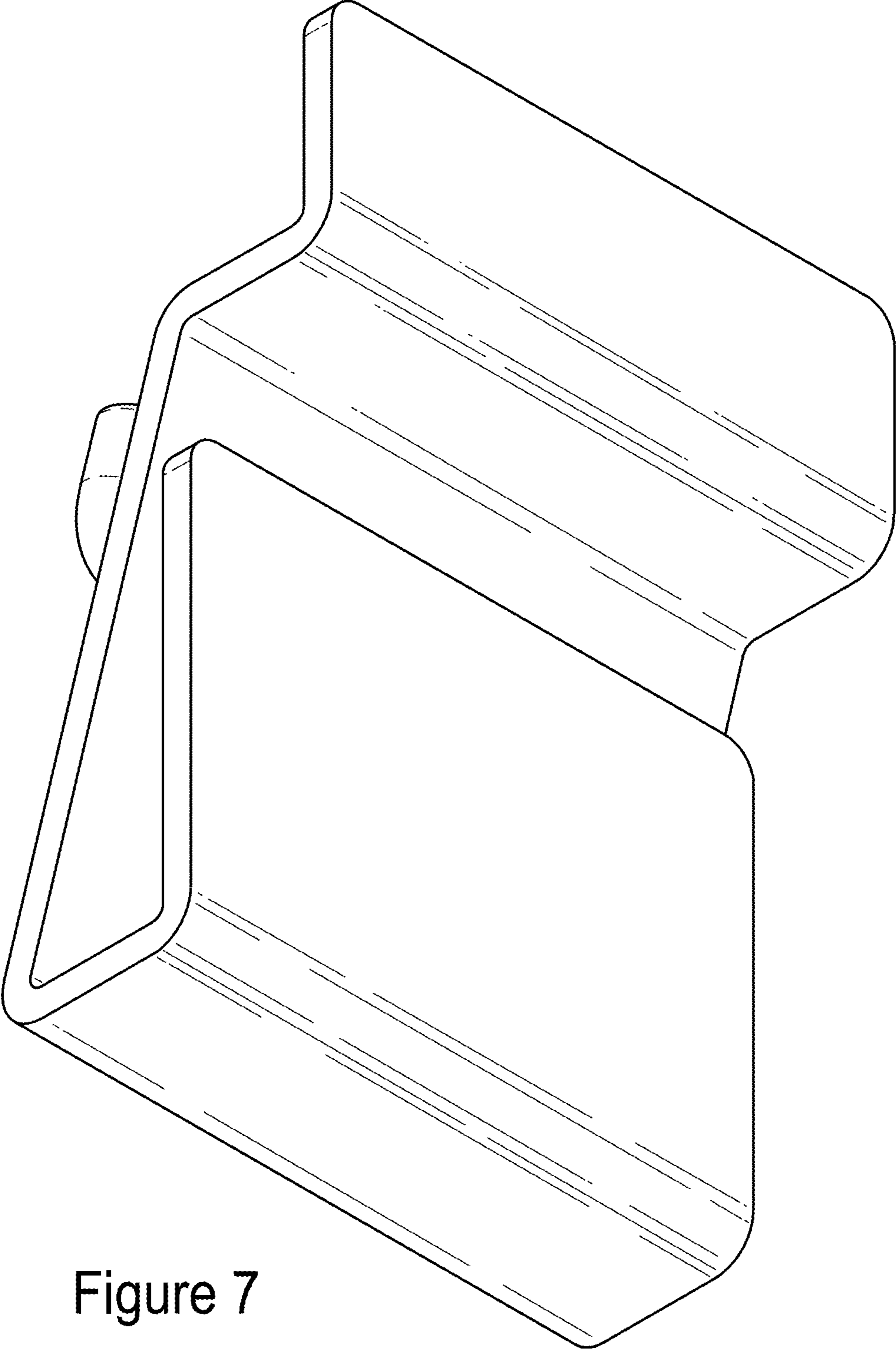


Figure 7