



US00D971714S

(12) **United States Design Patent** (10) **Patent No.:** **US D971,714 S**
Wu (45) **Date of Patent:** **** *Dec. 6, 2022**

- (54) **FURNITURE LEG CAP** 3,138,893 A * 6/1964 Rupar A47B 91/12
248/346.11
- (71) Applicant: **Ningbo Sendi Home & Safety** 3,199,819 A * 8/1965 Widmark A47B 91/06
Accessories Co., Ltd, Ningbo (CN) 135/77
- (72) Inventor: **Shangbing Wu, Ningbo (CN)** D348,985 S * 7/1994 Walker D8/374
D373,721 S * 9/1996 Panow D8/402
D513,583 S * 1/2006 Chase D8/374
D617,894 S * 6/2010 Wright A61B 90/40
D24/121
- (73) Assignee: **Ningbo Sendi Home & Safety** D652,712 S * 1/2012 Bushey D8/374
Accessories Co., Ltd, Ningbo (CN)

(*) Notice: This patent is subject to a terminal disclaimer.

(**) Term: **15 Years**

(21) Appl. No.: **29/769,434**

(22) Filed: **Feb. 5, 2021**

(51) **LOC (13) Cl.** **08-11**

(52) **U.S. Cl.**
USPC **D8/374**

(58) **Field of Classification Search**
USPC D6/610, 710, 718; D8/315, 321-322,
D8/373-375
CPC A47B 91/12; A47C 7/002; Y10T 16/216
See application file for complete search history.

(56) **References Cited**

U.S. PATENT DOCUMENTS

- D44,952 S * 12/1913 Buser D8/374
- D44,996 S * 12/1913 Buser D8/374
- D45,196 S * 2/1914 Lawson D8/374
- 1,482,205 A * 1/1924 Uhl A47B 91/06
16/42 T
- 1,486,267 A * 3/1924 Salomon A47C 7/002
182/108
- 1,912,728 A * 6/1933 Roe A47B 91/12
248/346.11
- 2,103,095 A * 12/1937 Schermerhorn A47B 91/04
248/188.9
- D171,580 S * 3/1954 Chapman et al. D8/374
- 2,753,911 A * 7/1956 Haslett E05B 1/0061
16/86 A

OTHER PUBLICATIONS

“Antrader 16pcs Silicon Rectangle Furniture Pads”, May 1, 2018, Amazon.com, site visited May 6, 2022: <https://www.amazon.com/Antrader-Rectangle-Furniture-Protector-3-9-4-8cm/dp/B07CSK3XH2> (Year: 2018).*

(Continued)

Primary Examiner — Jack Reickel

Assistant Examiner — Michael A Kervin

(74) *Attorney, Agent, or Firm* — Andrew C. Cheng

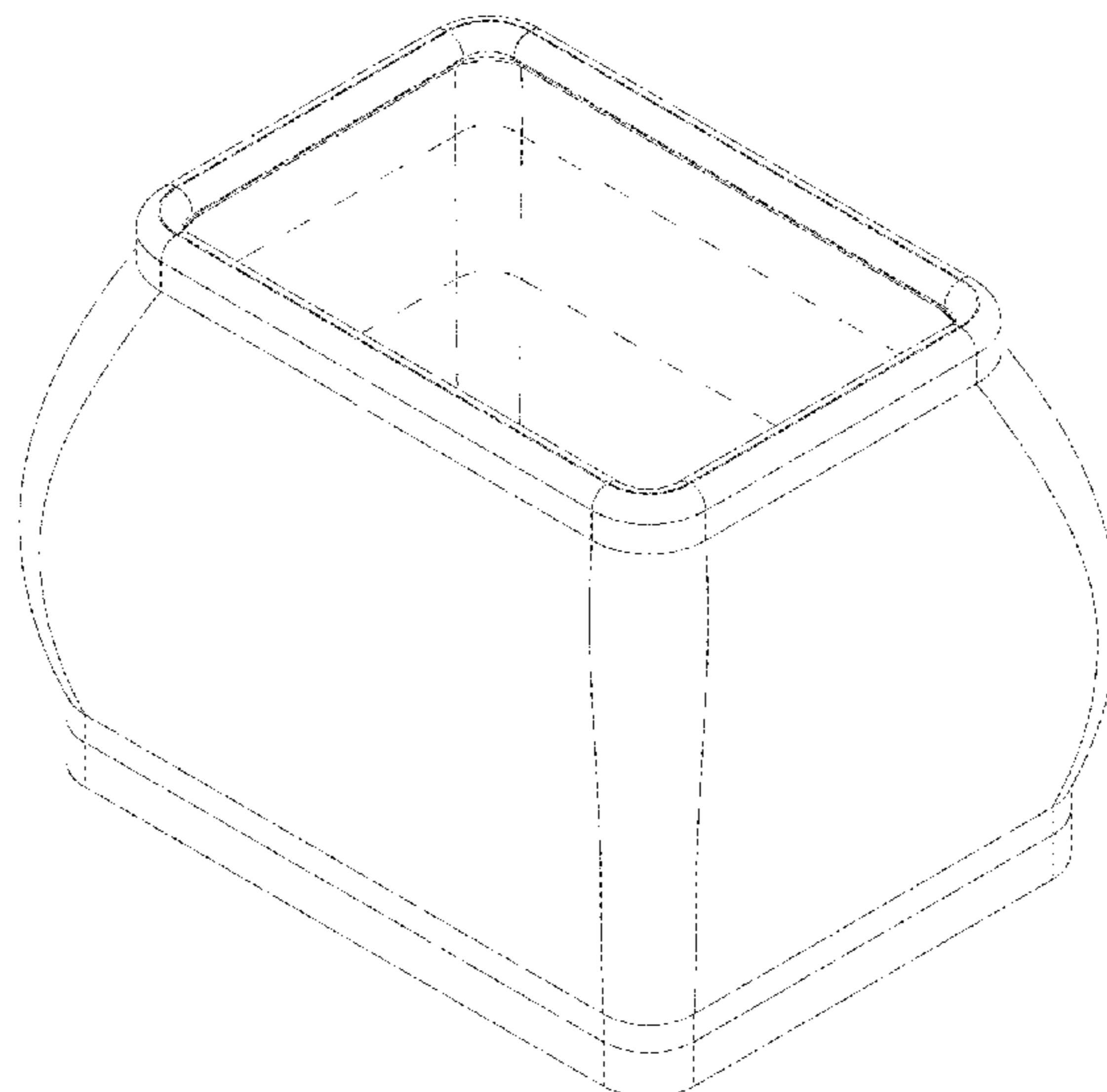
(57) **CLAIM**

The ornamental design for a furniture leg cap, as shown and described.

DESCRIPTION

FIG. 1 is a front view of a furniture leg cap showing my new design;
FIG. 2 is a rear view thereof;
FIG. 3 is a left side view thereof;
FIG. 4 is a right side view thereof;
FIG. 5 is a top view thereof;
FIG. 6 is a bottom view thereof; and,
FIG. 7 is a perspective view thereof.
The broken line showing of a furniture leg cap is for the purpose of illustrating portions of the article and forms no part of the claimed design.

1 Claim, 7 Drawing Sheets



(56)

References Cited

U.S. PATENT DOCUMENTS

D668,942 S * 10/2012 McGarry D8/374
D793,211 S * 8/2017 Exley D8/374
D897,433 S * 9/2020 Jo D14/374
D925,342 S * 7/2021 Winthrop D8/374
11,246,414 B1 * 2/2022 Novak A47B 91/12
2005/0115022 A1 * 6/2005 Desmarais A47B 91/066
16/42 R
2012/0068034 A1 * 3/2012 Desmarais B60B 33/0028
156/86
2012/0234446 A1 * 9/2012 Brown B60B 7/08
152/375
2014/0106099 A1 * 4/2014 Desmarais B29C 45/0005
428/36.1
2015/0216305 A1 * 8/2015 Rondina A47B 91/12
16/30

OTHER PUBLICATIONS

“Furnigear Chair Leg Floor Protectors”, Sep. 25, 2019, Amazon.com, site visited May 6, 2022: <https://www.amazon.com/dp/B07YCJC5W8> (Year: 2019).*

“Neoera Chair Leg Covers to Protect Floors”, Jun. 24, 2021, Amazon.com, site visited May 6, 2022: <https://www.amazon.com/Neoera-Transparency-Furniture-Protector-Scratches/dp/B097SY8BTP> (Year: 2021).*

* cited by examiner

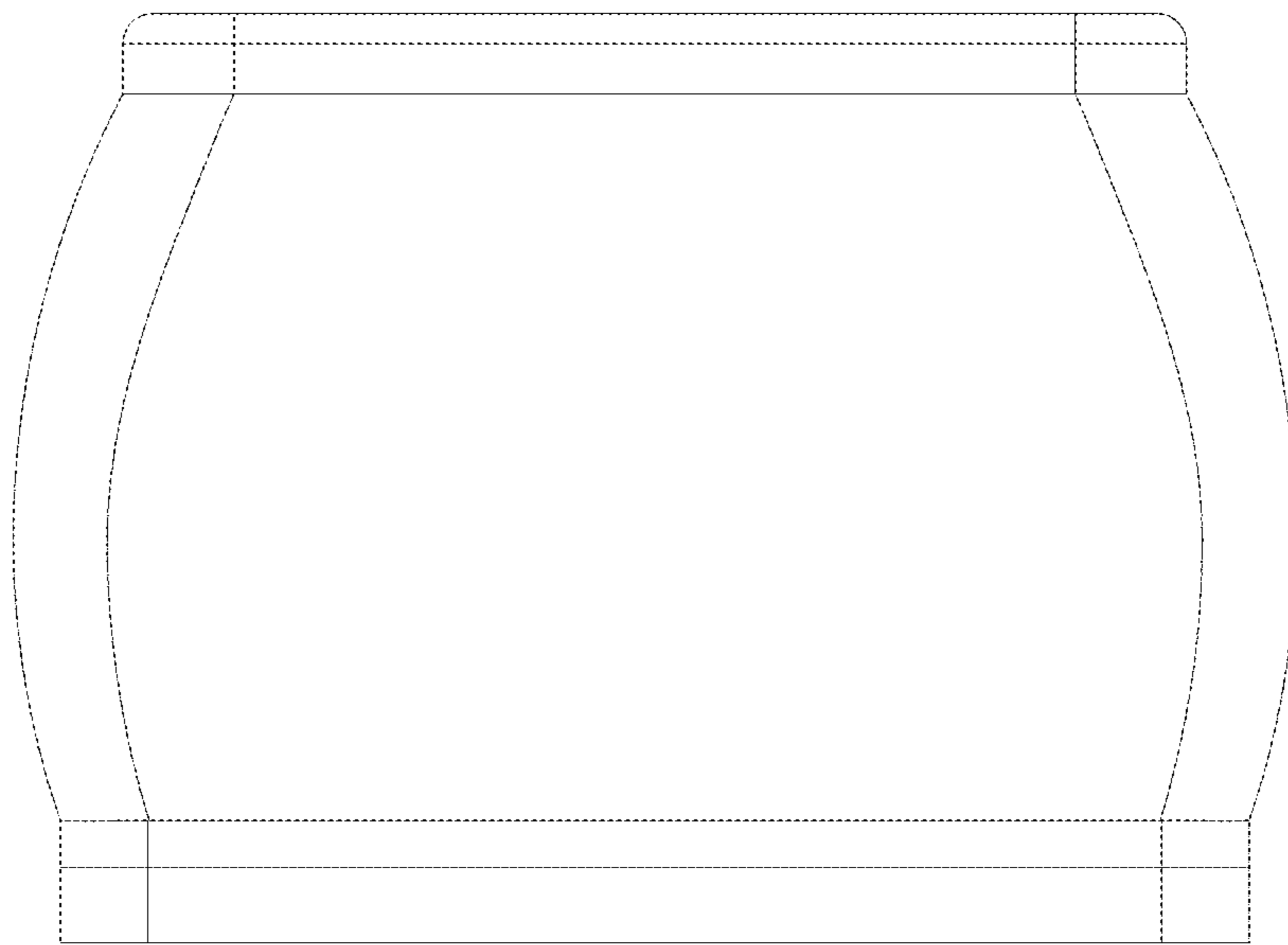


FIG. 1

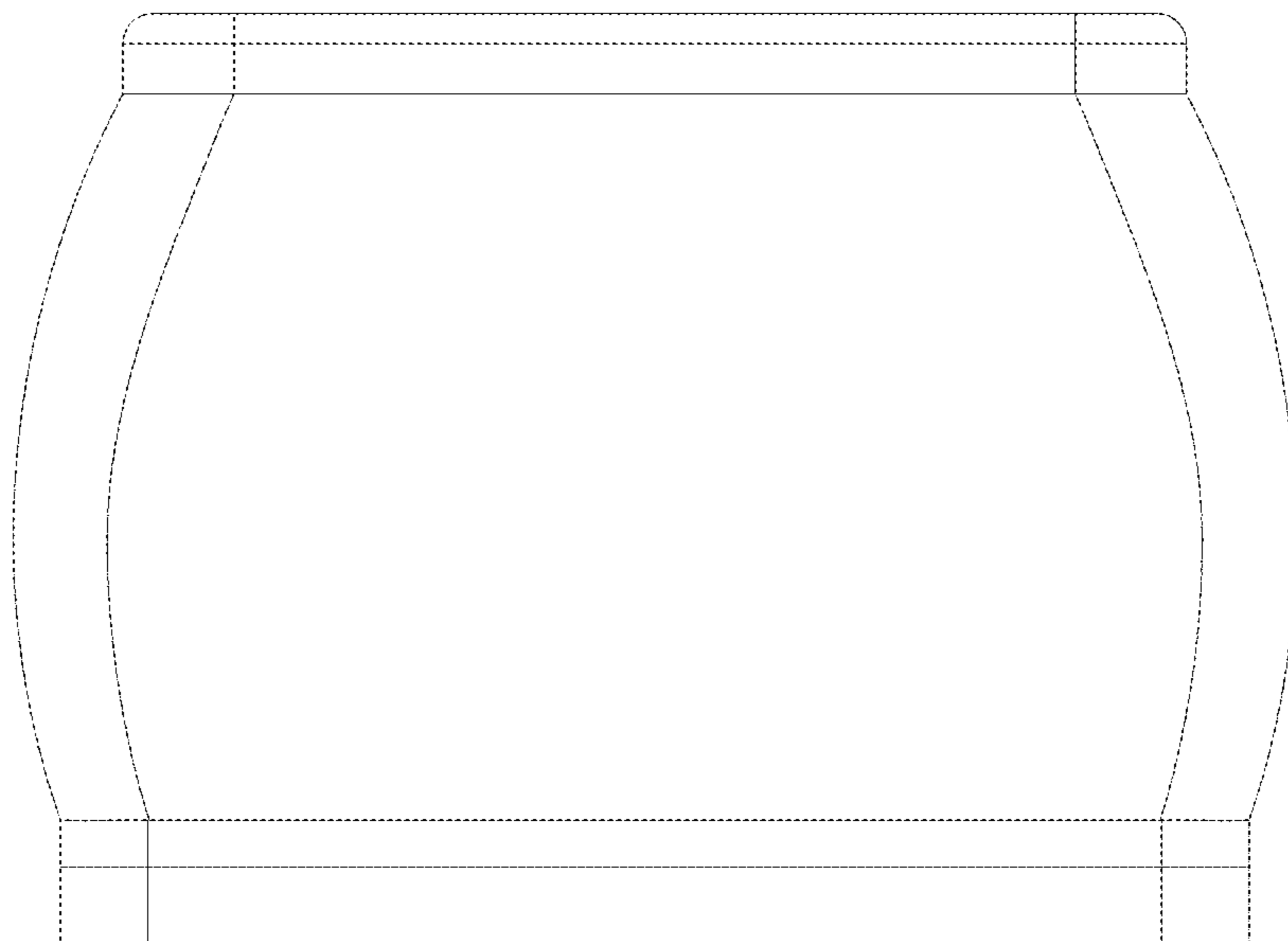


FIG. 2

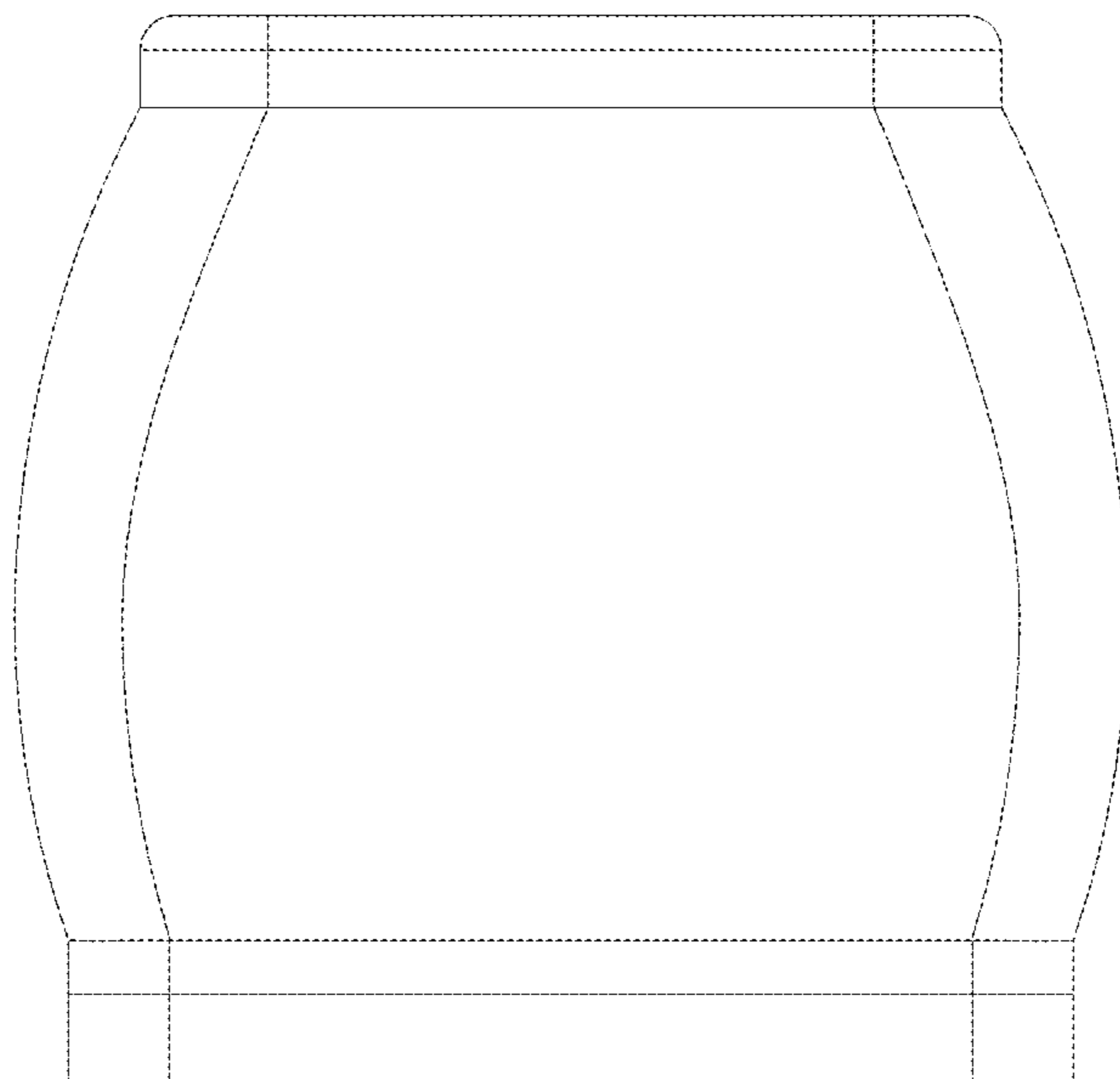


FIG. 3

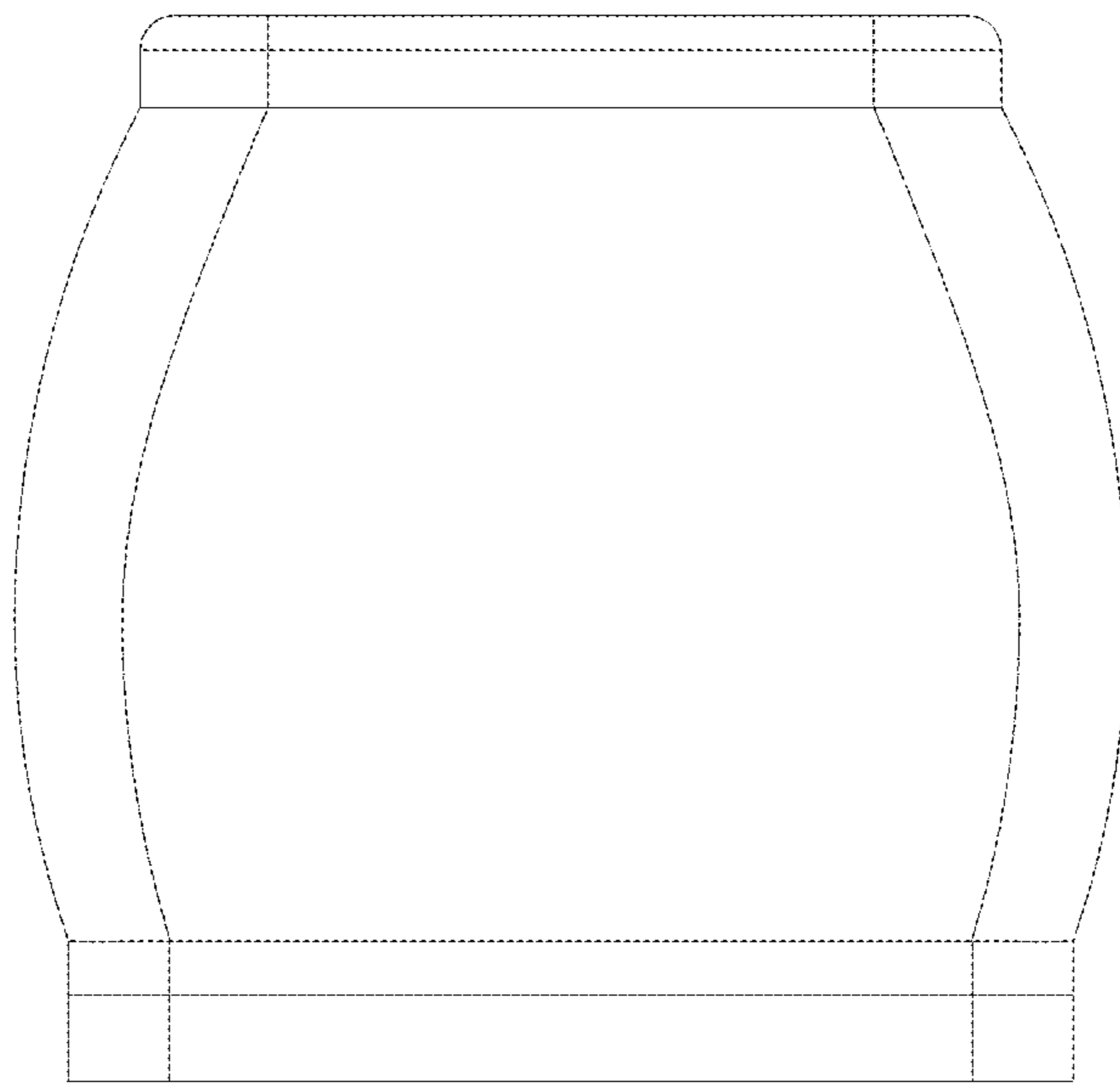


FIG. 4

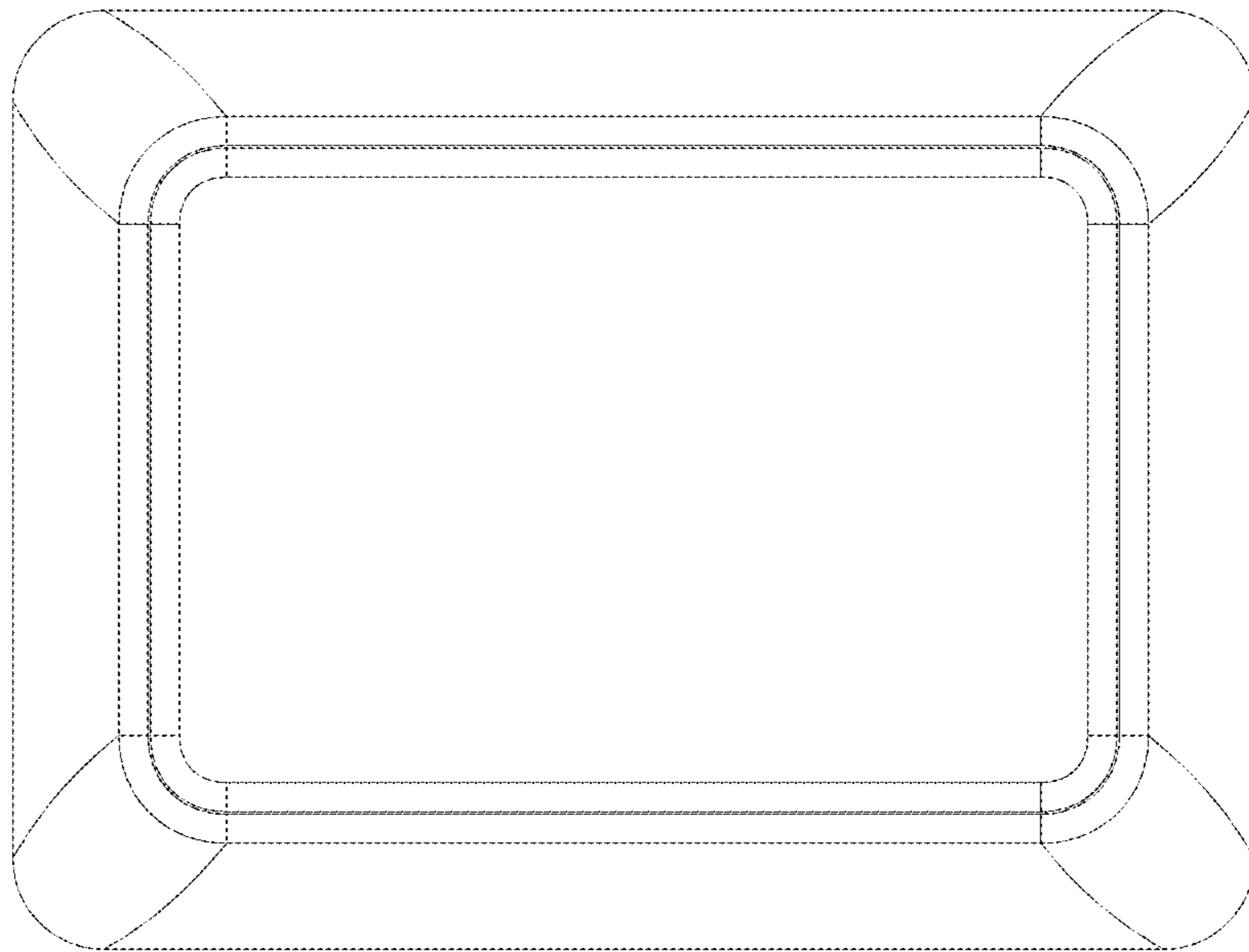


FIG. 5

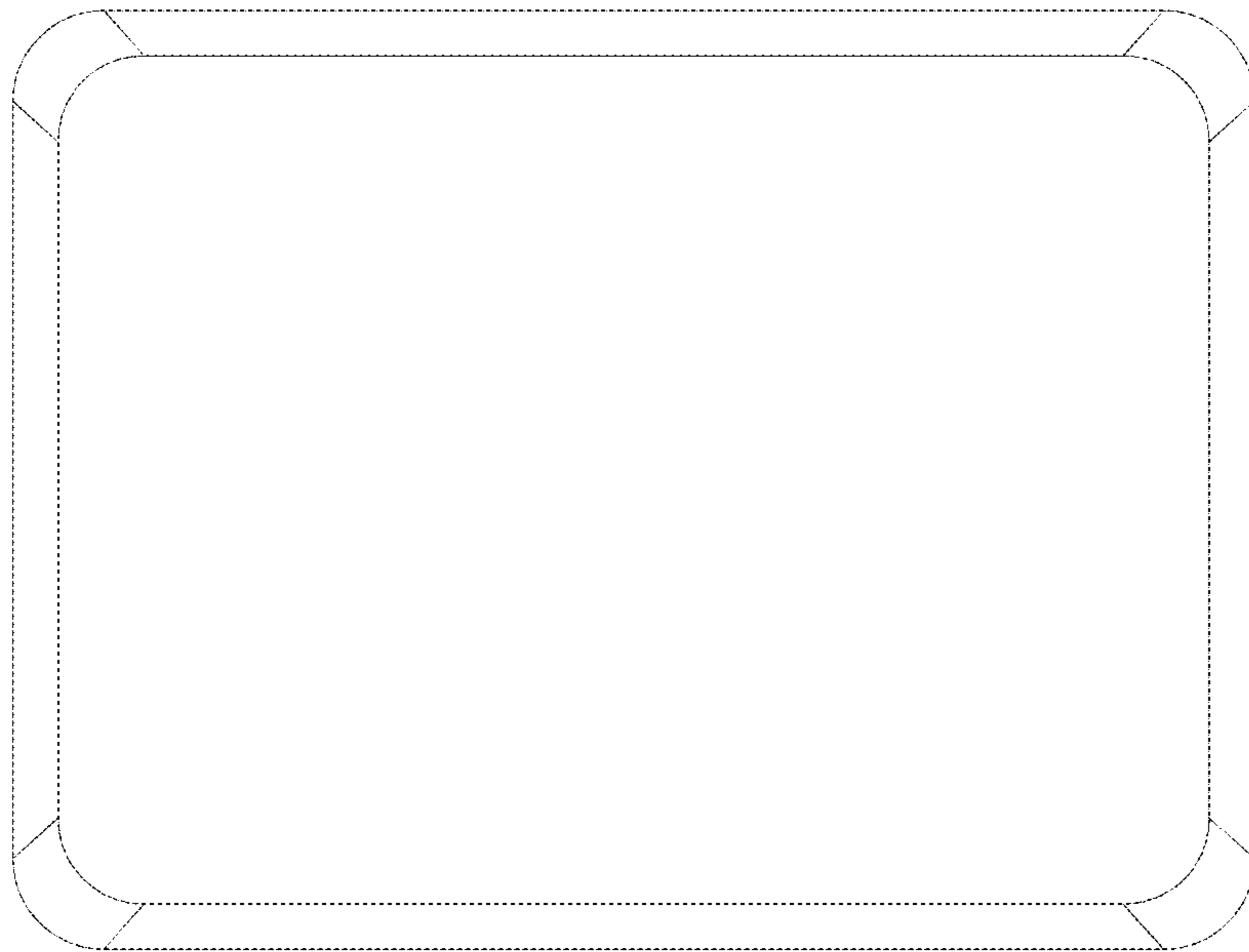


FIG. 6

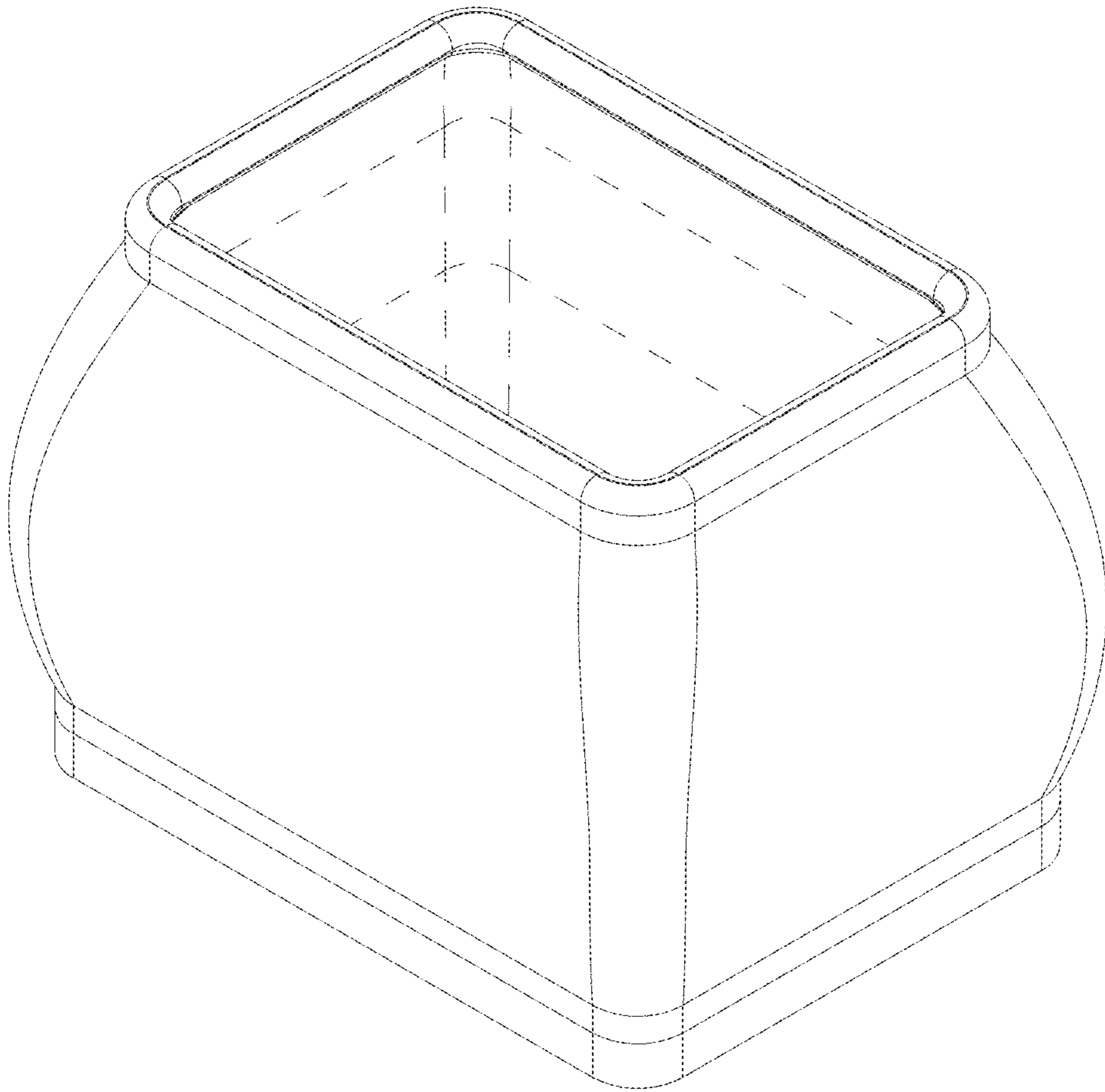


FIG. 7