



US00D971713S

(12) **United States Design Patent**
Huang

(10) **Patent No.:** **US D971,713 S**

(45) **Date of Patent:** **** Dec. 6, 2022**

- (54) **MULTIFUNCTIONAL HOOK**
- (71) Applicant: **Dashao Huang**, Guangdong (CN)
- (72) Inventor: **Dashao Huang**, Guangdong (CN)
- (**) Term: **15 Years**
- (21) Appl. No.: **29/844,511**
- (22) Filed: **Jun. 29, 2022**
- (51) **LOC (13) Cl.** **08-11**
- (52) **U.S. Cl.**
USPC **D8/372; D8/367; D12/162**
- (58) **Field of Classification Search**
USPC D8/315, 367, 372, 373; D12/159, 162,
D12/400
CPC B60D 1/52; B60D 1/46
See application file for complete search history.

| | | | | |
|-------------------|---------|----------|-------|------------------------|
| D762,108 S * | 7/2016 | Knight | | D8/372 |
| D807,237 S * | 1/2018 | Wright | | B60D 1/02 D12/162 |
| D863,124 S * | 10/2019 | Siegel | | D12/162 |
| D881,078 S * | 4/2020 | Rebick | | B60D 1/58 D12/162 |
| D943,469 S * | 2/2022 | Fountain | | D12/162 |
| D957,163 S * | 7/2022 | Zhi | | D8/372 |
| D964,221 S * | 9/2022 | Sordahl | | D12/162 |
| 2007/0096428 A1 * | 5/2007 | Miles | | B60D 1/52 280/490.1 |

* cited by examiner

Primary Examiner — Keli L Hill
Assistant Examiner — Harold E Blackwell, II
 (74) *Attorney, Agent, or Firm* — Che-Yang Chen; Law Office of Michael Chen

(57) **CLAIM**

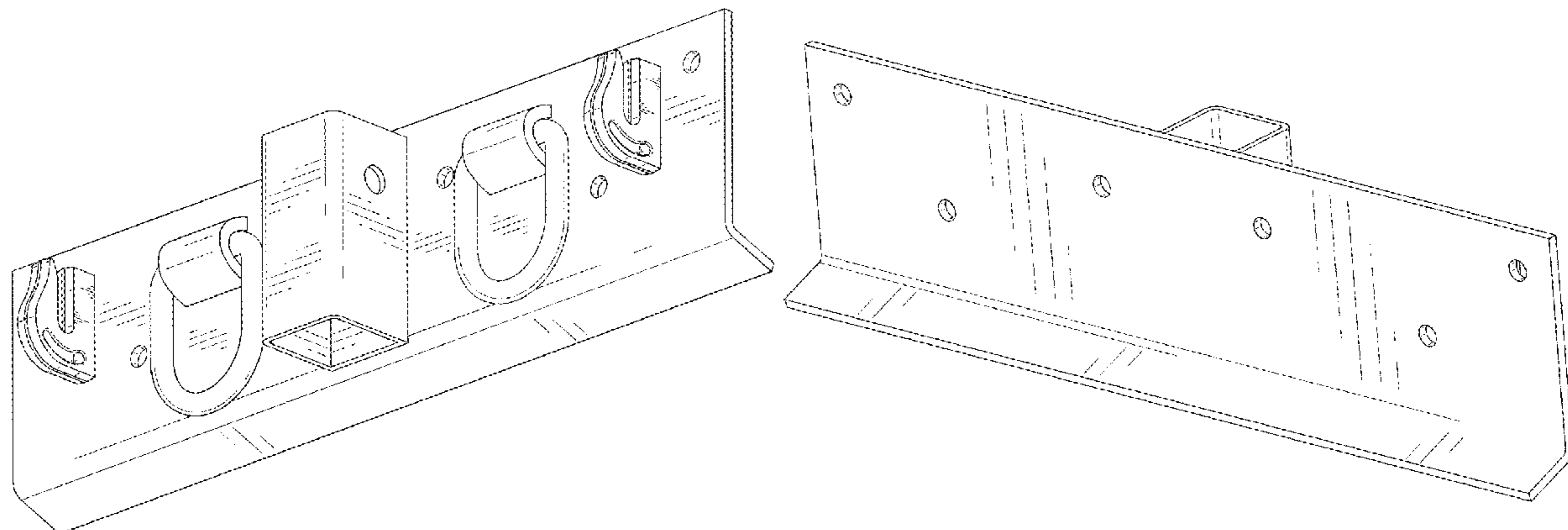
The ornamental design for a multifunctional hook, as shown and described.

DESCRIPTION

FIG. 1 is a perspective view of the multifunctional hook showing my new design;
 FIG. 2 is a perspective view thereof from another angle;
 FIG. 3 is a front elevational view thereof;
 FIG. 4 is a rear elevational view thereof;
 FIG. 5 is a left side elevational view thereof;
 FIG. 6 is a right side elevational view thereof;
 FIG. 7 is a top plan view thereof; and,
 FIG. 8 is a bottom plan view thereof.

1 Claim, 8 Drawing Sheets

- (56) **References Cited**
- U.S. PATENT DOCUMENTS
- D367,632 S * 3/1996 Grieve D12/162
- D394,421 S * 5/1998 Horstmann D12/162
- D399,804 S * 10/1998 Lindenman D12/162
- D401,542 S * 11/1998 Lindenman D12/162
- D419,122 S * 1/2000 Stech D12/162
- D472,188 S * 3/2003 Tambornino D12/162
- D553,960 S * 10/2007 Schmidt D8/372
- D576,526 S * 9/2008 McBain D12/162
- D587,104 S * 2/2009 McCammon D8/372
- D591,208 S * 4/2009 Wubker, Jr. D12/162
- D633,372 S 3/2011 Ayrest



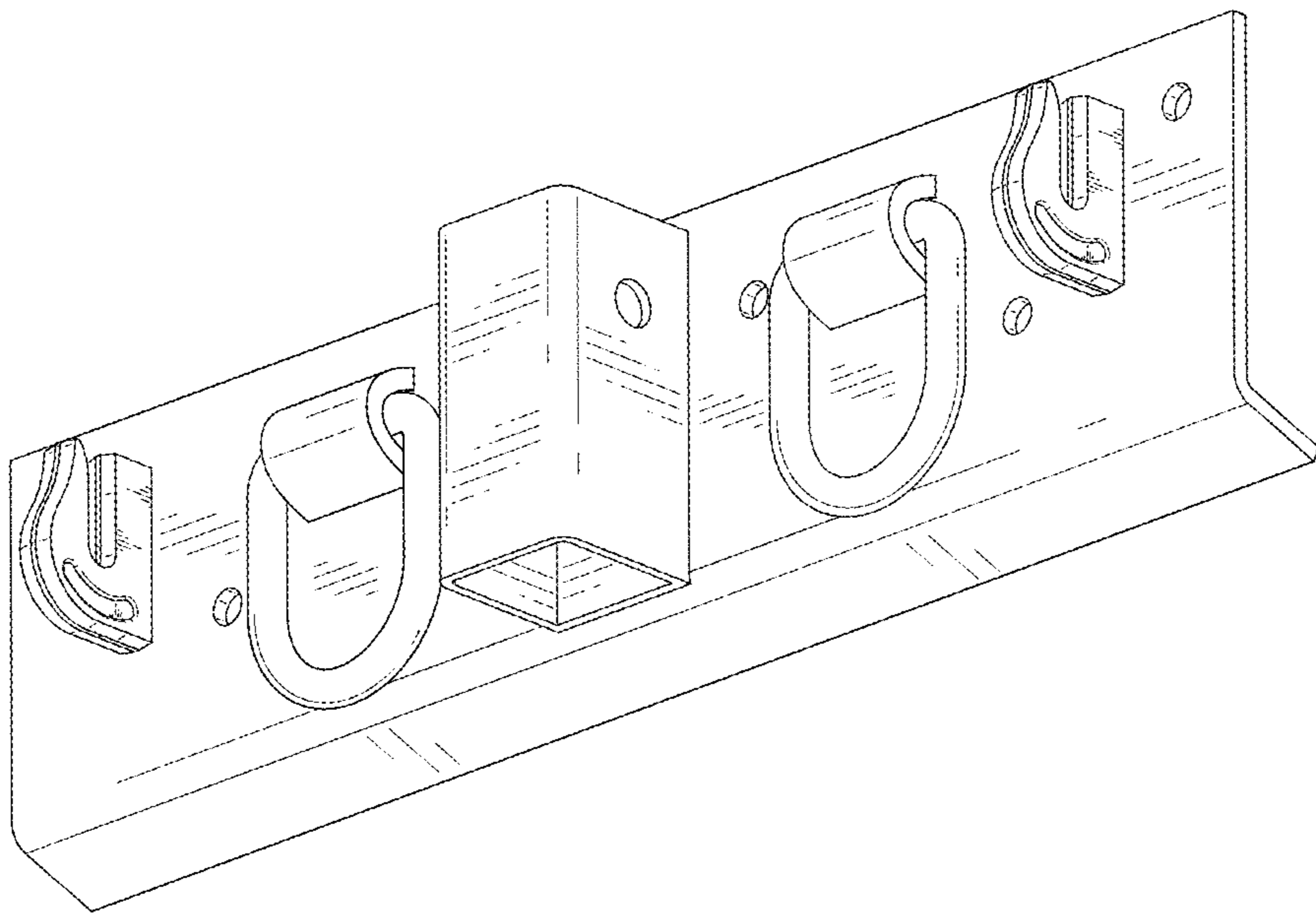


FIG. 1

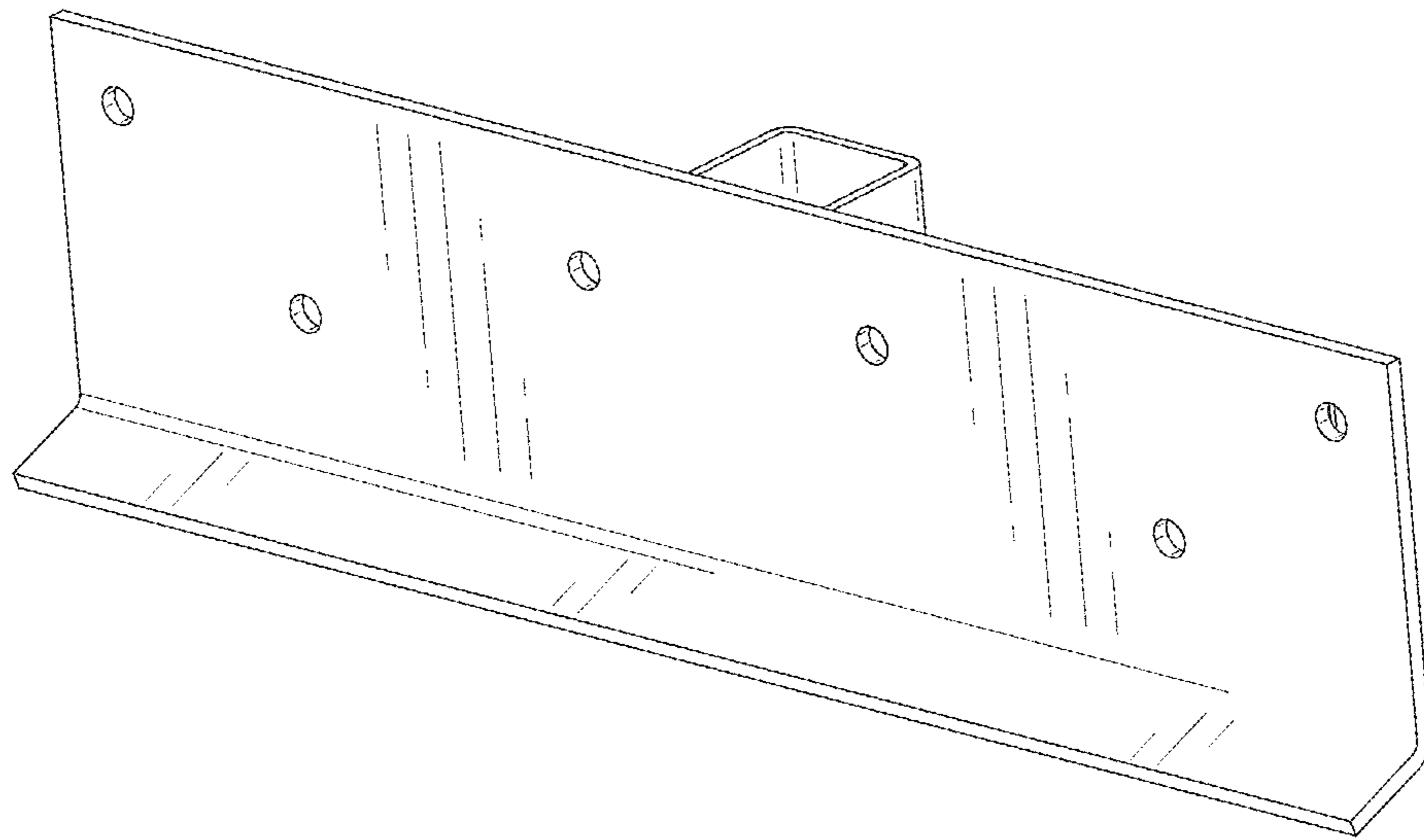


FIG. 2

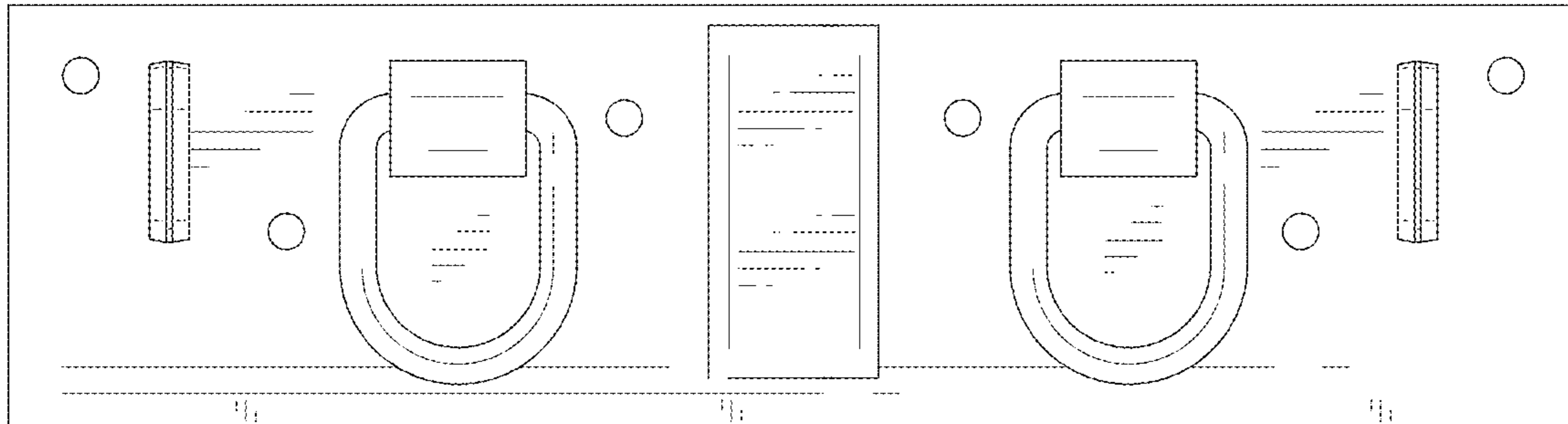


FIG. 3

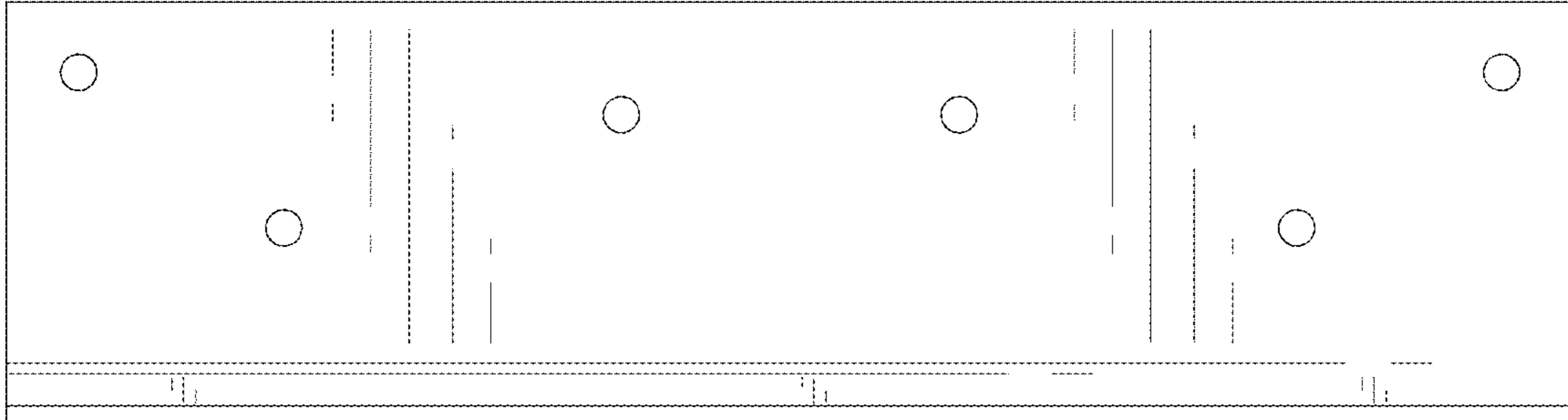


FIG. 4

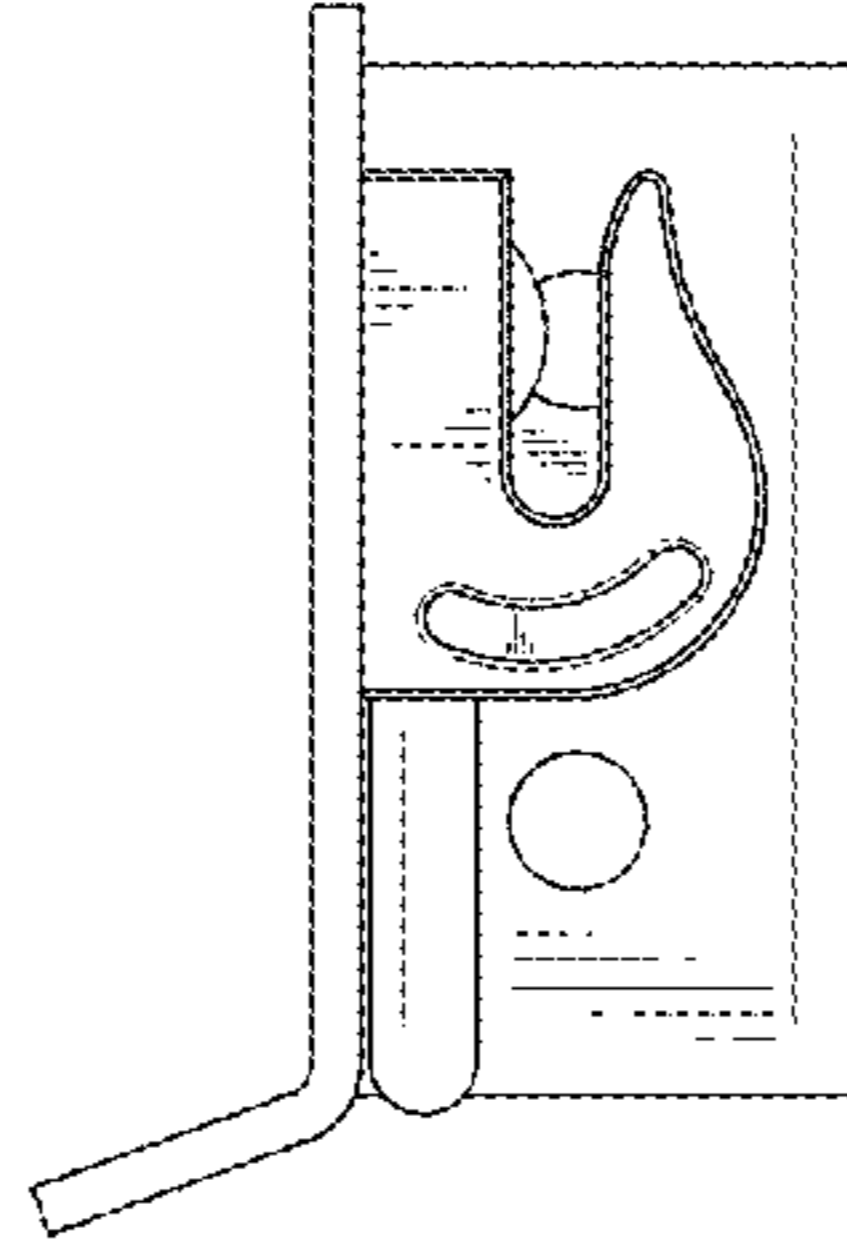


FIG. 5

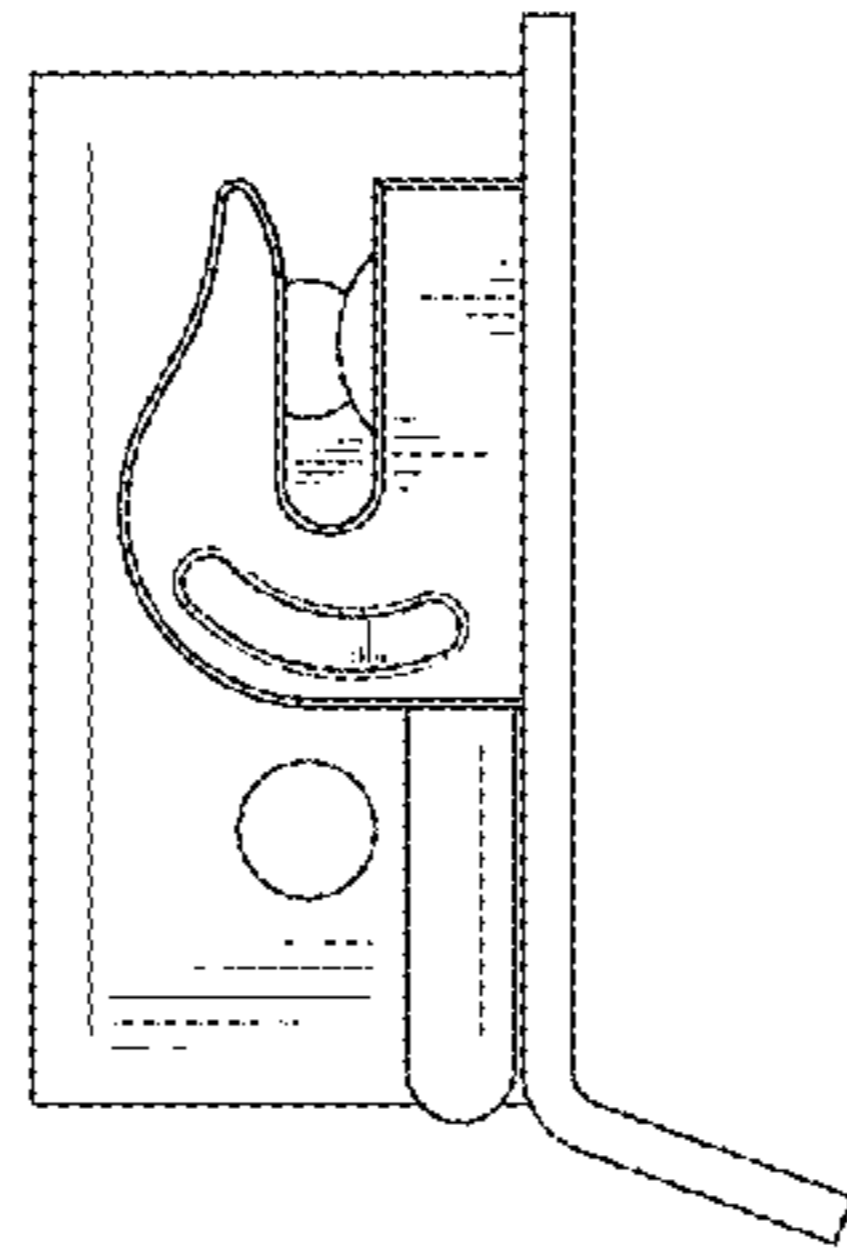


FIG. 6

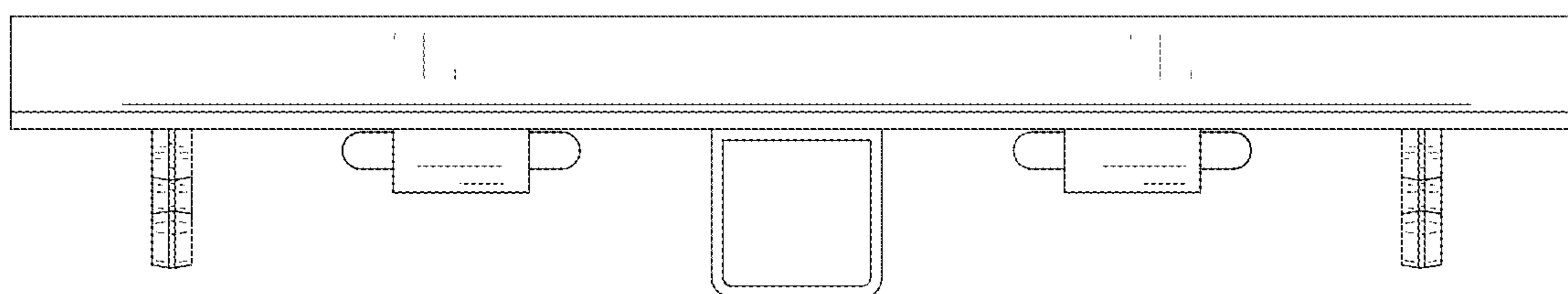


FIG. 7

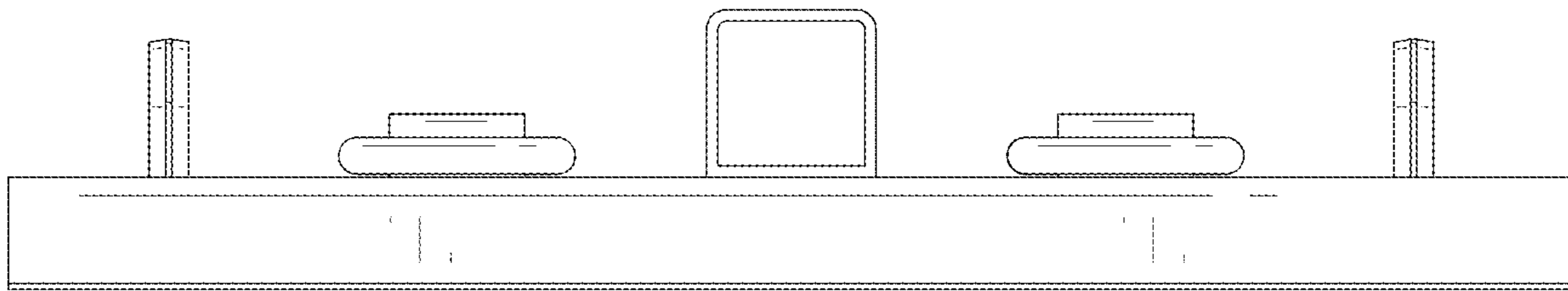


FIG. 8