



US00D971712S

(12) **United States Design Patent** (10) **Patent No.:** **US D971,712 S**  
**Zhou** (45) **Date of Patent:** **\*\* Dec. 6, 2022**

(54) **UTILITY HOOK**  
(71) Applicant: **Junhao Zhou**, Guangdong (CN)  
(72) Inventor: **Junhao Zhou**, Guangdong (CN)  
(\*\*) Term: **15 Years**  
(21) Appl. No.: **29/848,656**  
(22) Filed: **Aug. 4, 2022**  
(51) **LOC (13) Cl.** ..... **08-08**  
(52) **U.S. Cl.**  
USPC ..... **D8/367**  
(58) **Field of Classification Search**  
USPC ..... D8/14, 16, 19, 367, 371, 499  
CPC ..... A47G 1/17; F16B 45/00; F16B 47/003  
See application file for complete search history.

D554,482 S \* 11/2007 Hager ..... D8/367  
D554,483 S \* 11/2007 Hager ..... D8/367  
D565,939 S \* 4/2008 Newbould ..... D8/367  
D608,188 S \* 1/2010 Berkowitz ..... D8/367  
D614,479 S \* 4/2010 Barrese ..... D8/367  
D622,133 S 8/2010 Shaha  
D734,133 S \* 7/2015 Spindler ..... F21V 21/0808  
D8/367  
D769,702 S \* 10/2016 Kuniyoshi ..... D8/367  
D805,373 S \* 12/2017 Shoenhair ..... F21V 21/0808  
D8/367  
D805,374 S \* 12/2017 Shoenhair ..... D8/367  
D850,244 S \* 6/2019 Goodman ..... D8/367  
D859,131 S \* 9/2019 Abeel ..... D8/367

(Continued)

(56) **References Cited**

**U.S. PATENT DOCUMENTS**

198,703 A \* 12/1877 Dietz ..... A47G 1/17  
248/467  
D35,235 S \* 10/1901 Dietz ..... A47G 1/17  
D8/367  
D35,548 S \* 1/1902 Engert ..... A47G 1/17  
D8/367  
2,679,998 A \* 6/1954 Keller ..... F16B 47/003  
D8/367  
2,765,998 A \* 10/1956 Engert ..... A47G 1/17  
248/467  
4,003,538 A \* 1/1977 Frye ..... A47G 1/17  
24/304  
4,106,741 A \* 8/1978 Hogg ..... A47G 1/17  
248/467  
4,181,553 A \* 1/1980 Hogg ..... A47G 1/17  
156/247  
4,756,498 A \* 7/1988 Frye ..... F16B 47/003  
248/467  
6,308,923 B1 \* 10/2001 Howard ..... F16B 47/00  
248/205.8  
D524,636 S 7/2006 Burnett

**OTHER PUBLICATIONS**

Adhesive Hooks.Heavy Duty Self Wall Hooks15lb(Max), Water-proof and Oilproof Transparent hooks11 Pack ; FOWOKAW Store; Amazon.com; Jul. 5, 2019; Accessed Oct. 6, 2022; URL:< https://www.amazon.com/dp/B08S3KXW7S/?th=1 > (Year: 2019).\*

(Continued)

*Primary Examiner* — Rachel A. Voorhies  
*Assistant Examiner* — Benjamin D. Wannemacher

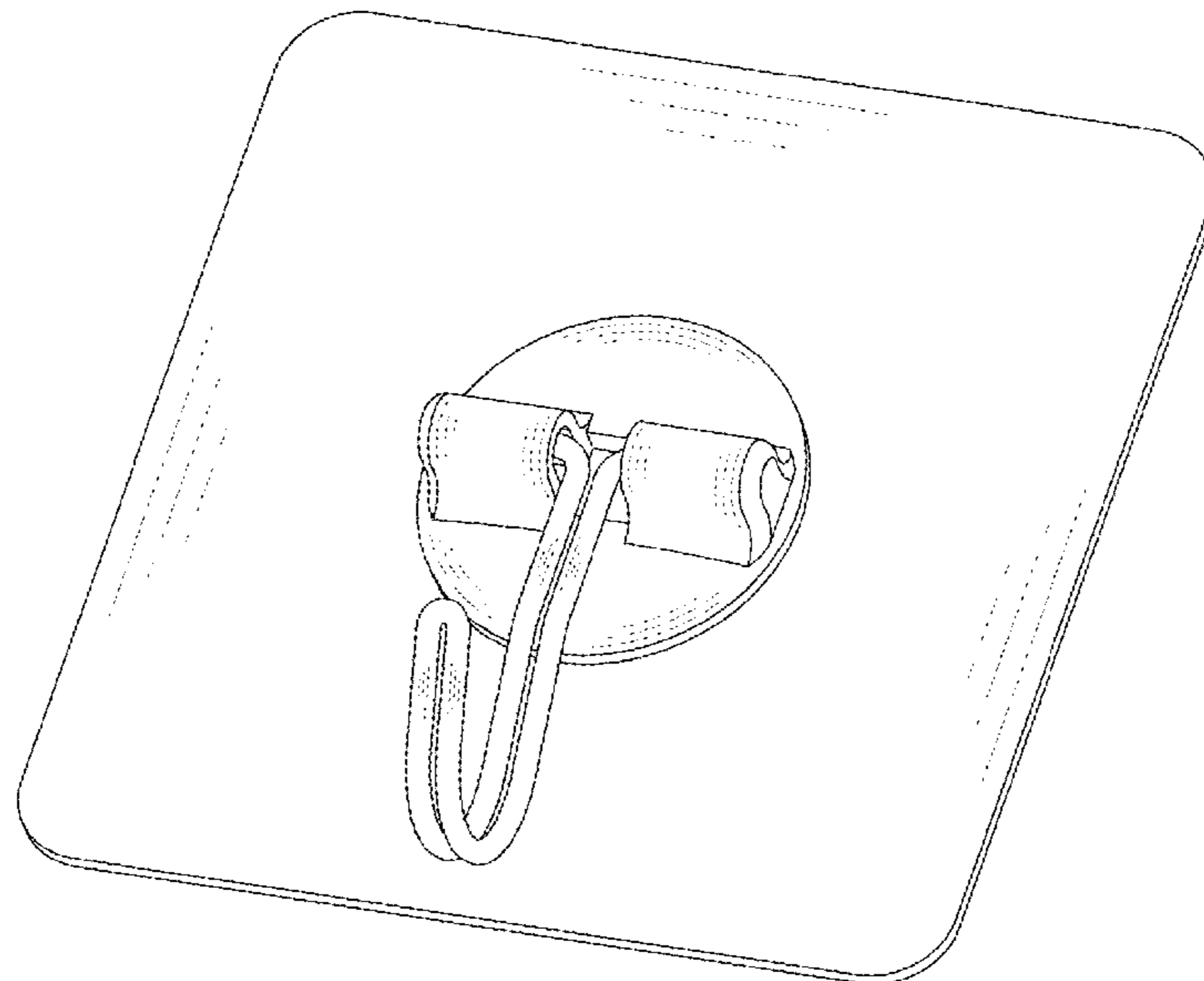
(57) **CLAIM**

The ornamental design for a utility hook, substantially as shown and described.

**DESCRIPTION**

FIG. 1 is a front and right side perspective view of a utility hook, showing my new design;  
FIG. 2 is a front view thereof;  
FIG. 3 is a back view thereof;  
FIG. 4 is a left view thereof;  
FIG. 5 is a right view thereof;  
FIG. 6 is a top view thereof; and,  
FIG. 7 is a bottom view thereof.

**1 Claim, 7 Drawing Sheets**



(56)

**References Cited**

U.S. PATENT DOCUMENTS

D864,700 S *	10/2019	Chen	.....	D8/367
D879,596 S *	3/2020	Li	.....	D8/367
D880,990 S *	4/2020	Liu	.....	D8/367
D918,698 S *	5/2021	Man	.....	B44D 3/38 D8/367
D935,312 S *	11/2021	Zhou	.....	F16B 47/00 D8/367
D939,330 S *	12/2021	Zhou	.....	A47K 10/12 D8/367
D948,997 S *	4/2022	Wang	.....	A47G 1/17 D8/367
D953,150 S *	5/2022	Luo	.....	A47G 1/17 D8/367
D953,849 S *	6/2022	Liu	.....	A47G 1/17 D8/367
D957,234 S *	7/2022	Limber	.....	F16B 47/003 D8/367
D957,235 S *	7/2022	Limber	.....	A47G 1/17 D8/367
2007/0134460 A1 *	6/2007	Chen	.....	A47G 1/17 428/137

2013/0168517 A1 *	7/2013	Chu	.....	A47K 10/12 248/304
2019/0022973 A1 *	1/2019	Terada	.....	F16B 47/00
2022/0316520 A1 *	10/2022	Wilson	.....	B44D 3/38

OTHER PUBLICATIONS

GLUIT Adhesive Hooks for Hanging Heavy Duty Wall Hooks 22 lbs Self Adhesive Sticky Hooks Waterproof Transparent Hooks for Keys Bathroom Shower Outdoor . . . ; GLUIT Store; Amazon.com; Jul. 5, 2019; Accessed Oct. 6, 2022; URL:< <https://www.amazon.com/dp/B089WBMF1V?th=1> > (Year: 2019).\*

12Pcs Adhesive Hooks Heavy Duty, Self Sticky Wall Hooks for Hanging Key, Towel, Coat, No Damage Wall Hangers for Bathroom, Kitchen; Kattykitty; Amazon.ca; Dec. 18, 2020; Accessed Oct. 6, 2022; URL:< <https://www.amazon.ca/dp/B08NW7ZR4S/> > (Year: 2020 ).\*

Funlaxie Clear Adhesive Hooks, Heavy Duty Wall Hooks, Waterproof Sticky Hooks for Hanging Coats and Towels in Bedroom, Bathroom, Home and Office Use, Pack of 8; Funlaxie; Amazon.com; Jun. 16, 2020; Accessed Oct. 6, 2022; URL:< <https://www.amazon.com/dp/B08B8932RN/> > (Year: 2020).\*

\* cited by examiner

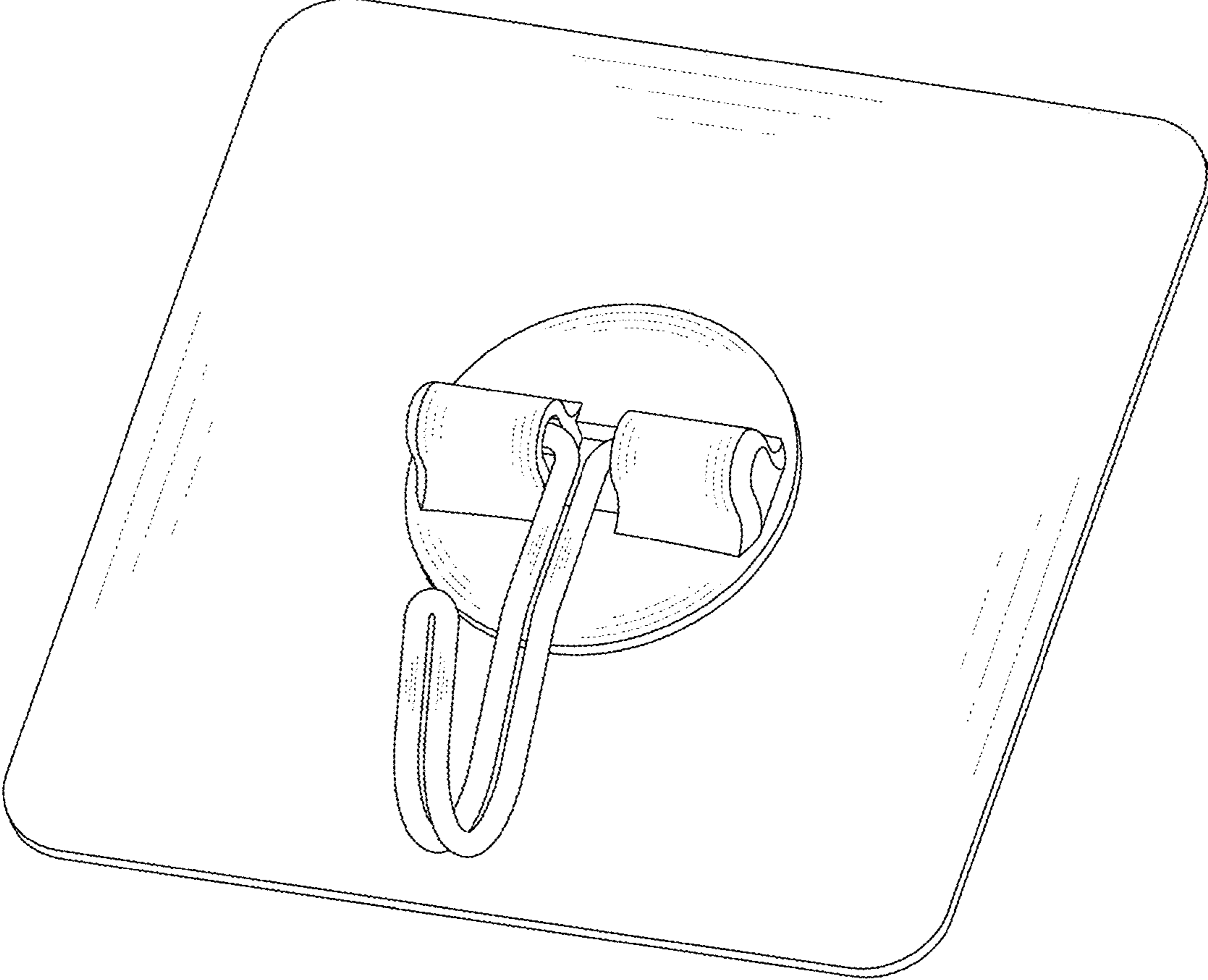


FIG. 1

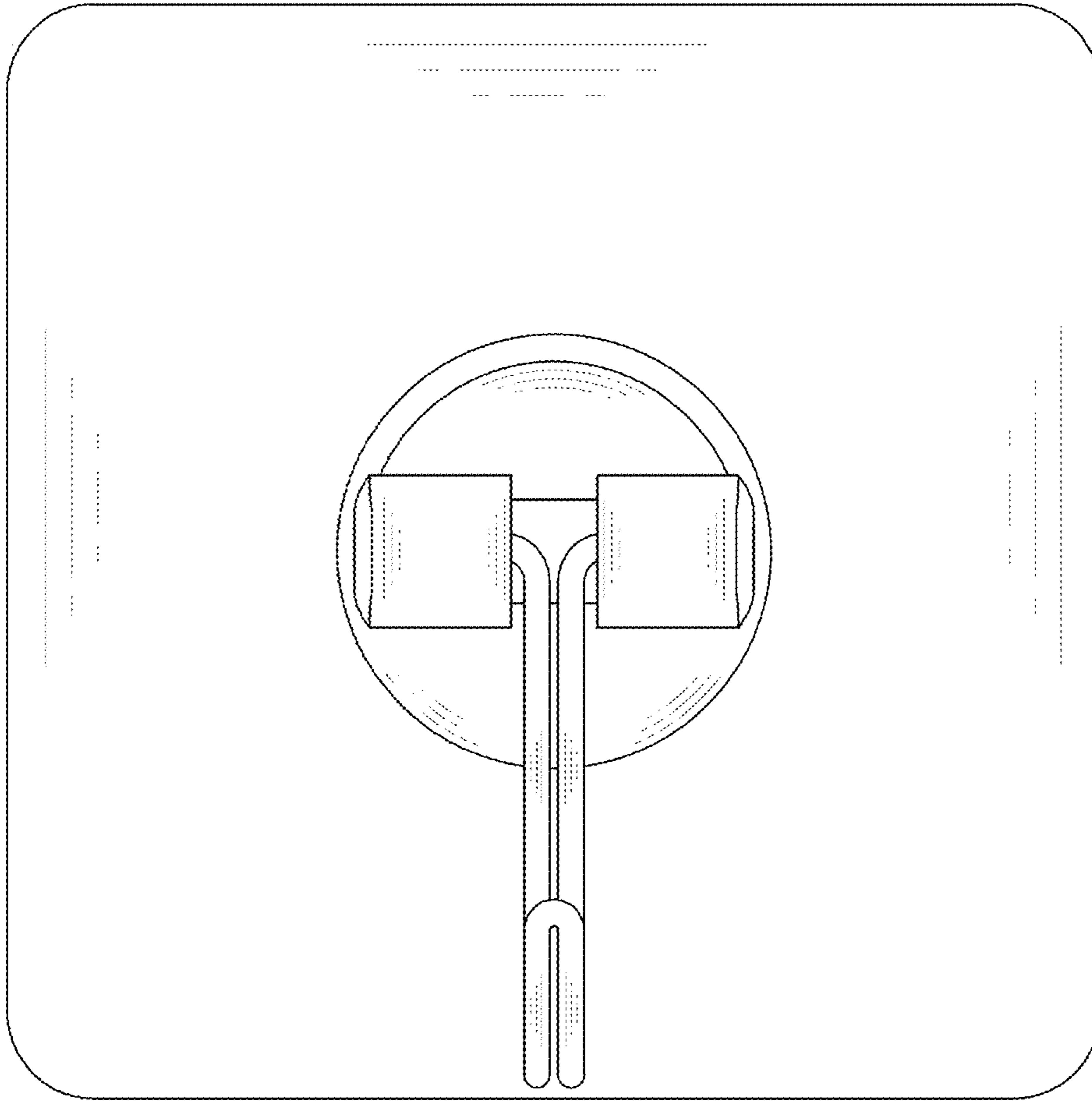


FIG. 2

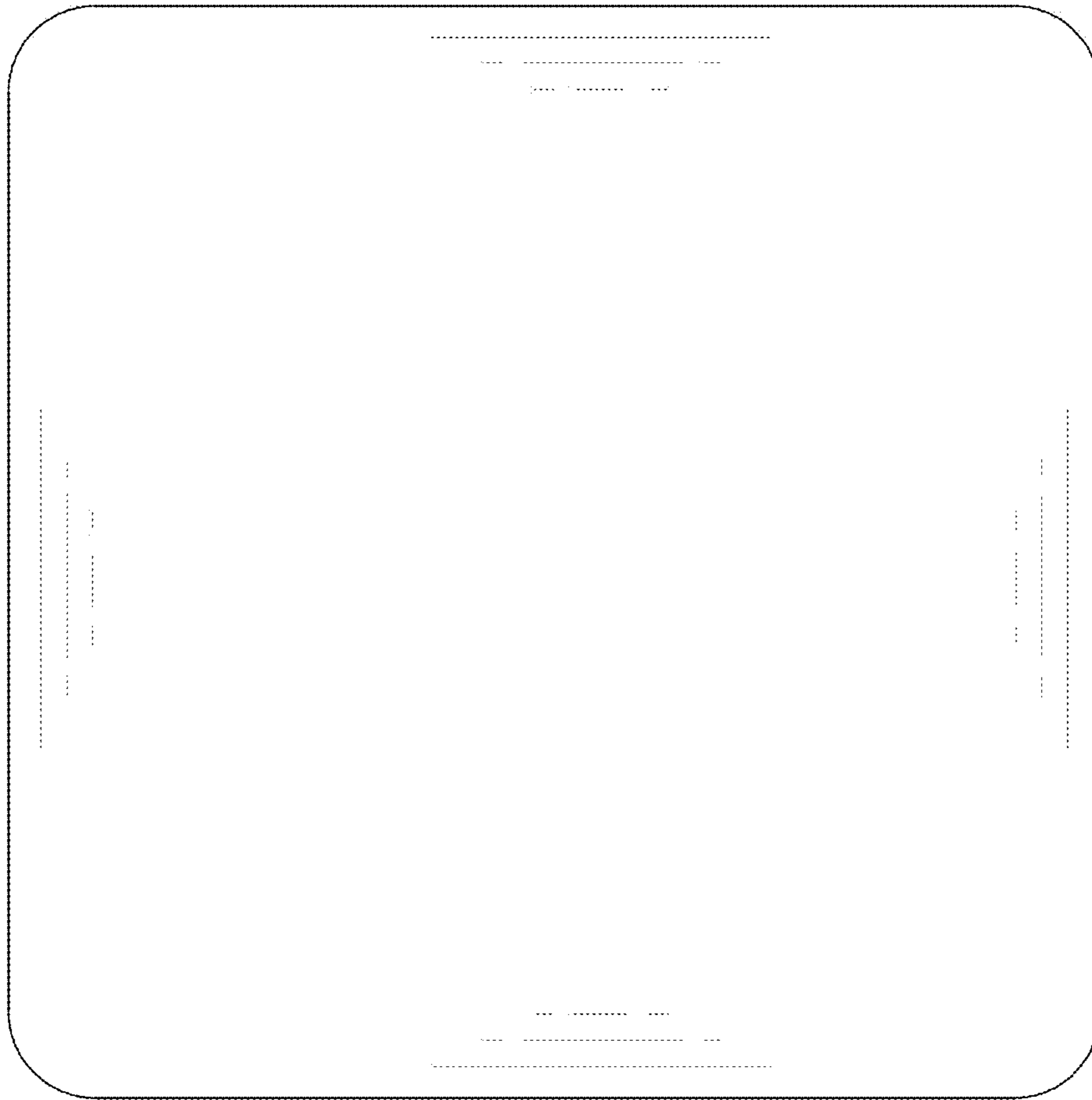


FIG. 3

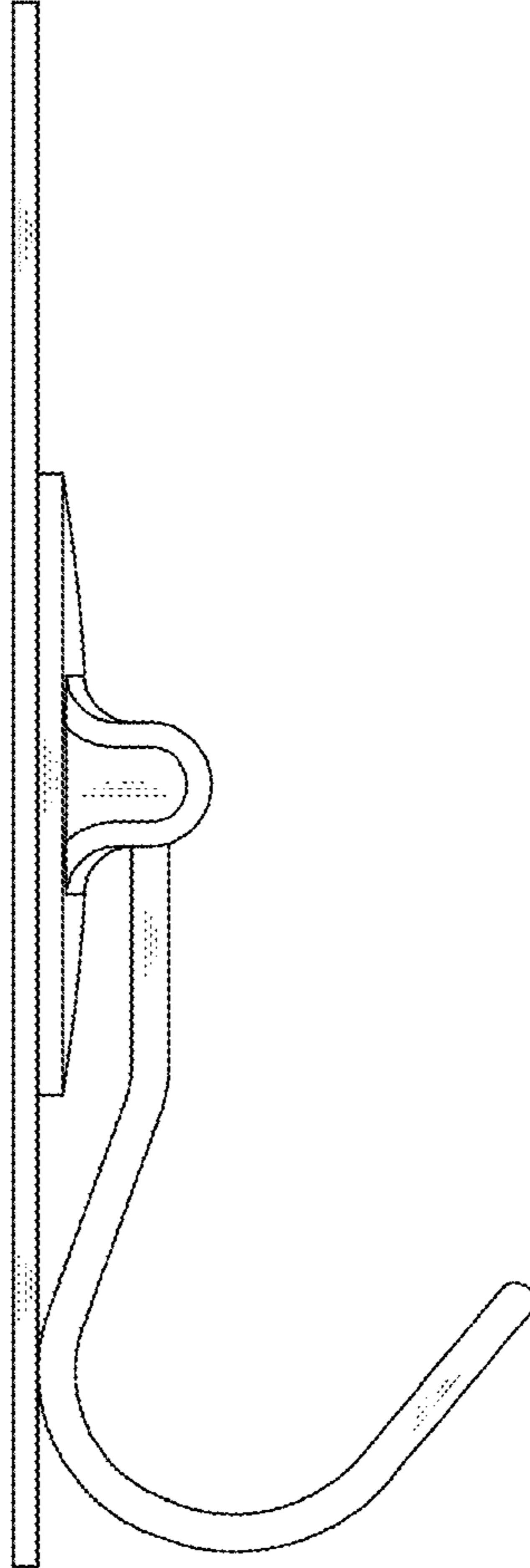


FIG. 4

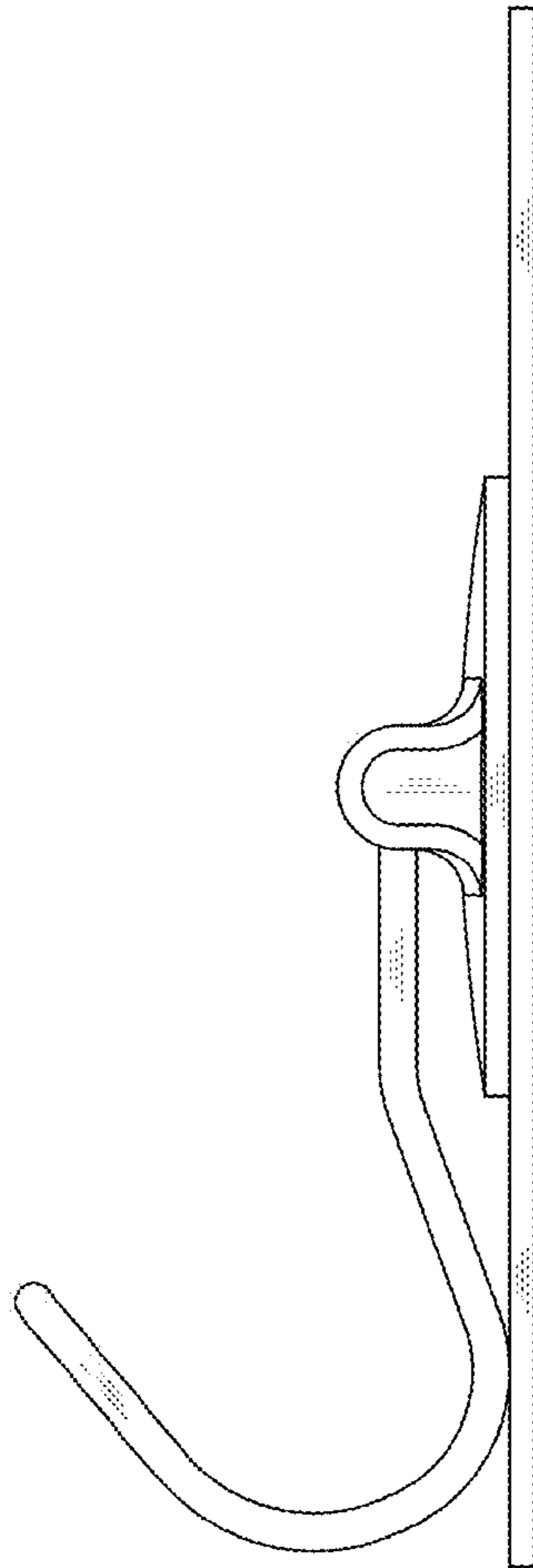


FIG. 5

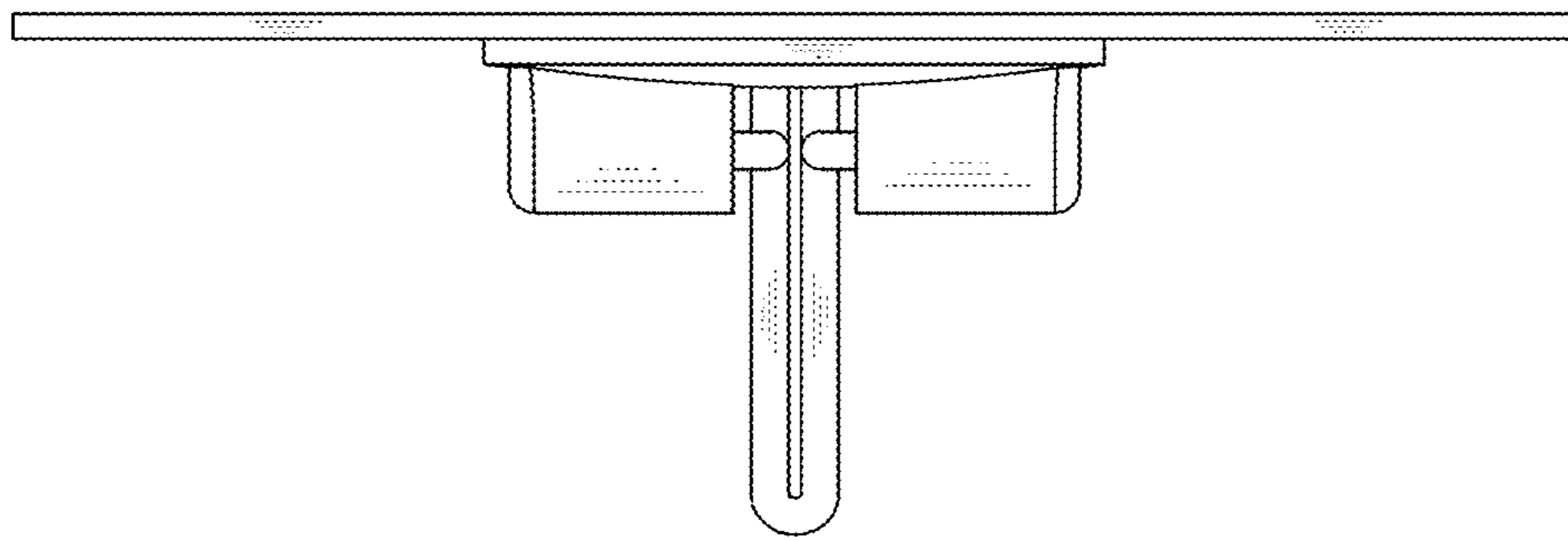


FIG. 6



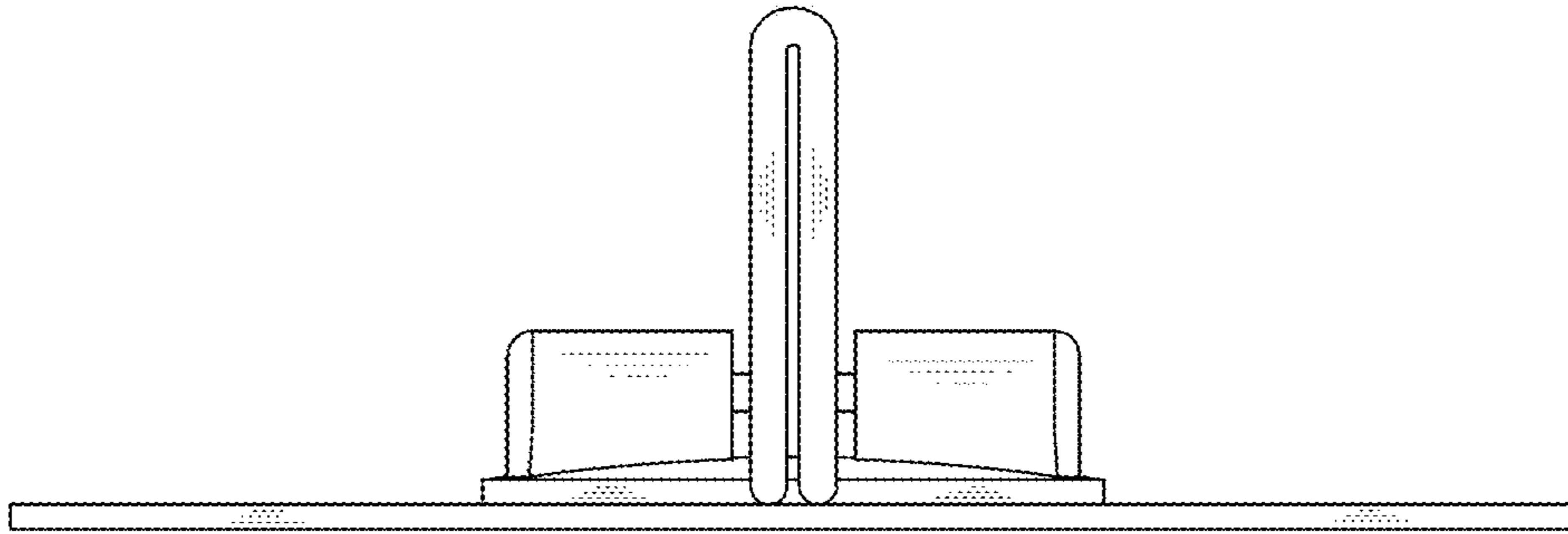


FIG. 7