



US00D971711S

(12) **United States Design Patent** (10) **Patent No.:** **US D971,711 S**
Sachs (45) **Date of Patent:** **** Dec. 6, 2022**

(54) **PRONG FOR A CLIP**

(71) Applicant: **Allied Bolt, Inc.**, Lake Success, NY (US)

(72) Inventor: **Jack I. Sachs**, Cote Saint Luc (CA)

(73) Assignee: **ALLIED BOLT, INC.**, Lake Success, NY (US)

(**) Term: **15 Years**

(21) Appl. No.: **29/751,153**

(22) Filed: **Sep. 18, 2020**

(51) **LOC (13) Cl.** **09-06**

(52) **U.S. Cl.**
USPC **D8/356**

(58) **Field of Classification Search**
USPC D8/356, 394, 395
CPC ... F16L 3/00; F16L 3/137; H02G 3/32; H01R 4/646; H01R 4/48; H01R 13/65917
See application file for complete search history.

(56) **References Cited**

U.S. PATENT DOCUMENTS

1,578,634 A	3/1926	Borgmann	
1,968,596 A	7/1934	Benander	
2,545,347 A	3/1951	Embree	
2,569,021 A *	9/1951	Rozanski A47F 5/0884 211/124
3,100,922 A *	8/1963	Burniston F16L 3/12 D8/395
3,378,806 A	4/1968	Wilkerson et al.	
3,894,706 A *	7/1975	Mizusawa F16L 3/237 248/68.1
D239,911 S	5/1976	Schmidt	
D243,151 S *	1/1977	Bouche D8/356
4,042,198 A	8/1977	Takeuchi	
D277,934 S *	3/1985	Beckrot D8/382
D280,973 S *	10/1985	Ferrell D8/395

(Continued)

FOREIGN PATENT DOCUMENTS

CN 306800820 * 9/2021
EM 008408850-0001 * 1/2021

(Continued)

OTHER PUBLICATIONS

U.S. Appl. No. 29/144,907 (U.S. Pat. No. D. 486,728), filed Jul. 12, 2001 (Feb. 17, 2004).

(Continued)

Primary Examiner — Sheryl Lane

Assistant Examiner — Ieisha N Price

(74) *Attorney, Agent, or Firm* — Baker Botts L.L.P.

(57) **CLAIM**

The ornamental design for a prong for a clip, as shown and described.

DESCRIPTION

FIG. 1 is a perspective view of a prong for a clip, according to the disclosed subject matter.

FIG. 2 is a front view of the prong for a clip of FIG. 1.

FIG. 3 is a back view of the prong for a clip of FIG. 1.

FIG. 4 is a left side view of the prong for a clip of FIG. 1, the right side being a mirror image thereto.

FIG. 5 is a right side view of the prong for a clip of FIG. 1.

FIG. 6 is a top view of the prong for a clip of FIG. 1.

FIG. 7 is a bottom view of the prong for a clip of FIG. 1.

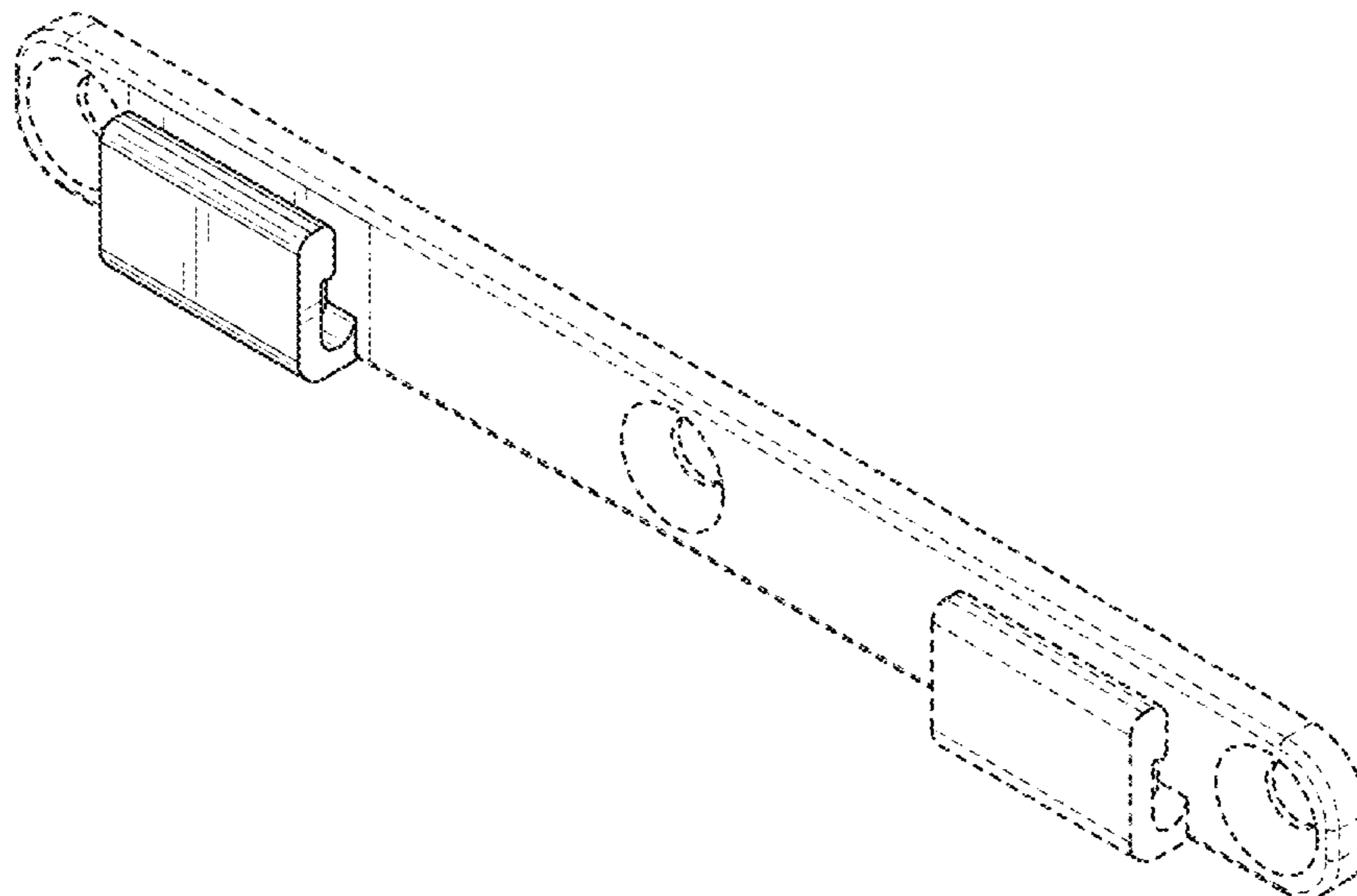
FIG. 8 is a perspective view of the prong for a clip of FIG. 1 showing a cable housed within the prong.

FIG. 9 is a front view of the prong for a clip of FIG. 8.

FIG. 10 is a left side view of the prong for a clip of FIG. 8.

The broken lines of the figures show environmental structure of the prong for a clip and form no part of the claimed design.

1 Claim, 5 Drawing Sheets



(56)

References Cited

U.S. PATENT DOCUMENTS

4,667,910 A 5/1987 Atterby et al.
 4,805,479 A * 2/1989 Brightwell F16C 1/226
 D8/395
 4,823,752 A 4/1989 Uuskallio
 D302,655 S 8/1989 Sachs
 D311,127 S * 10/1990 Strodtman D8/356
 5,067,677 A * 11/1991 Miceli H02G 3/26
 D8/356
 D326,999 S * 6/1992 Johnson D8/356
 D330,850 S * 11/1992 Roick D8/367
 D331,358 S 12/1992 Sachs
 D342,013 S 12/1993 Sachs
 D354,904 S * 1/1995 Halsten D8/356
 D365,007 S * 12/1995 Sheftel D3/905
 5,495,644 A * 3/1996 Mesher B42D 15/045
 24/3.12
 5,521,460 A 5/1996 Zhu
 5,639,049 A * 6/1997 Jennings F16L 3/123
 248/301
 D390,448 S * 2/1998 Bries D8/356
 D390,453 S * 2/1998 Hamerski D8/396
 5,743,497 A * 4/1998 Michael F16L 3/223
 248/68.1
 5,759,049 A 6/1998 Gerber
 D398,218 S 9/1998 Coll et al.
 D400,090 S 10/1998 Coll
 D418,744 S * 1/2000 Anderson D8/395
 D451,785 S * 12/2001 Chaney D8/354
 D459,302 S * 6/2002 Malin D13/133
 D459,304 S * 6/2002 Malin D13/133
 D473,448 S * 4/2003 Wu D8/356
 D474,679 S * 5/2003 Malin D8/394
 D481,303 S 10/2003 Fell et al.
 D495,944 S * 9/2004 Winig D8/367
 D510,019 S * 9/2005 Davis D34/10
 D537,331 S * 2/2007 Hill D8/395
 D606,849 S * 12/2009 Jimenez D8/395
 D619,451 S * 7/2010 Carlesso D8/395
 D631,740 S * 2/2011 Wood D8/396
 D644,504 S * 9/2011 Rieder D8/395
 D652,288 S * 1/2012 Mercier D8/396
 D657,662 S * 4/2012 Boucher-Gagne D8/394
 D657,663 S * 4/2012 Boucher-Gagne D8/394
 D658,049 S * 4/2012 Boucher-Gagne D8/394
 D659,525 S * 5/2012 Boucher-Gagne D8/394
 D659,526 S * 5/2012 Boucher-Gagne D8/395
 D661,570 S * 6/2012 Fox D8/356
 8,286,923 B2 * 10/2012 Kobayashi F16L 3/1075
 248/68.1
 D692,689 S * 11/2013 Yiannaki D6/606
 D755,043 S * 5/2016 Bailey D8/394
 D770,887 S * 11/2016 Sudol D8/395
 D796,946 S * 9/2017 Pittman D8/395
 D856,784 S * 8/2019 Zeilinger D8/354
 D878,193 S * 3/2020 Witherbee D8/396
 D890,601 S * 7/2020 Gori D8/394
 D890,602 S * 7/2020 Gori D8/394
 10,797,477 B1 * 10/2020 Peterson H02G 3/32
 10,961,719 B2 * 3/2021 Doupe E04F 15/105

D921,886 S * 6/2021 Froum D8/356
 D922,186 S * 6/2021 Schneider D25/123
 11,274,772 B2 * 3/2022 Leeson F16L 3/1236
 D947,662 S * 4/2022 Thomas D8/394
 2005/0233642 A1 * 10/2005 Gerlich H01R 13/65917
 439/607.41
 2007/0049073 A1 * 3/2007 Hill H01R 4/646
 439/98
 2007/0066125 A1 * 3/2007 Uenver H01R 13/73
 439/459
 2008/0203247 A1 * 8/2008 Hill H02G 3/32
 248/74.2
 2010/0254123 A1 * 10/2010 Brown A42B 1/244
 248/316.7
 2012/0061529 A1 * 3/2012 Hill H01R 4/48
 248/65
 2012/0106053 A1 * 5/2012 Sun H02G 3/32
 361/679.02
 2014/0061396 A1 * 3/2014 Magno, Jr. F16L 3/10
 248/72
 2014/0157868 A1 * 6/2014 Ward H02G 3/32
 24/522
 2014/0188078 A1 * 7/2014 Peters A61M 25/02
 604/180
 2017/0040715 A1 * 2/2017 Archundia Stefanonni
 H01R 4/38
 2018/0045335 A1 * 2/2018 Martin F16L 3/04
 2018/0093806 A1 * 4/2018 Fossey F16L 3/137
 2019/0014676 A1 * 1/2019 Nakamura H05K 7/12
 2019/0093792 A1 * 3/2019 Leeson F16L 3/1226

FOREIGN PATENT DOCUMENTS

HK 9801539-0001 * 9/1998
 HK 9801540-0001 * 9/1998
 JP D1377502 * 1/2010
 KR 300858727.0000 * 6/2016
 MX 38038-0001 * 2/2013
 RU 00123759 * 2/2021
 RU 00127662 * 9/2021
 RU 00127663 * 9/2021
 RU 00127664 * 9/2021
 RU 00127665 * 9/2021

OTHER PUBLICATIONS

U.S. Appl. No. 29/189,701 (U.S. Pat. No. D. 511,679), filed Sep. 9, 2003 (Nov. 22, 2005).
 U.S. Appl. No. 29/751,137, filed Sep. 18, 2020.
 U.S. Appl. No. 29/189,701, Aug. 1, 2005 Issue Fee Payment.
 U.S. Appl. No. 29/189,701, May 5, 2005 Notice of Allowance.
 U.S. Appl. No. 29/144,907, Dec. 5, 2003 Issue Fee Payment.
 U.S. Appl. No. 29/144,907, Sep. 5, 2003 Notice of Allowance.
 U.S. Appl. No. 29/144,907, Aug. 21, 2003 Response to Restriction Requirement.
 U.S. Appl. No. 29/144,907, May 5, 2003 Restriction Requirement.
 Telewire Supply Catalog (p. E19) Entitled "Screw & Snaps Clips" (1996).

* cited by examiner

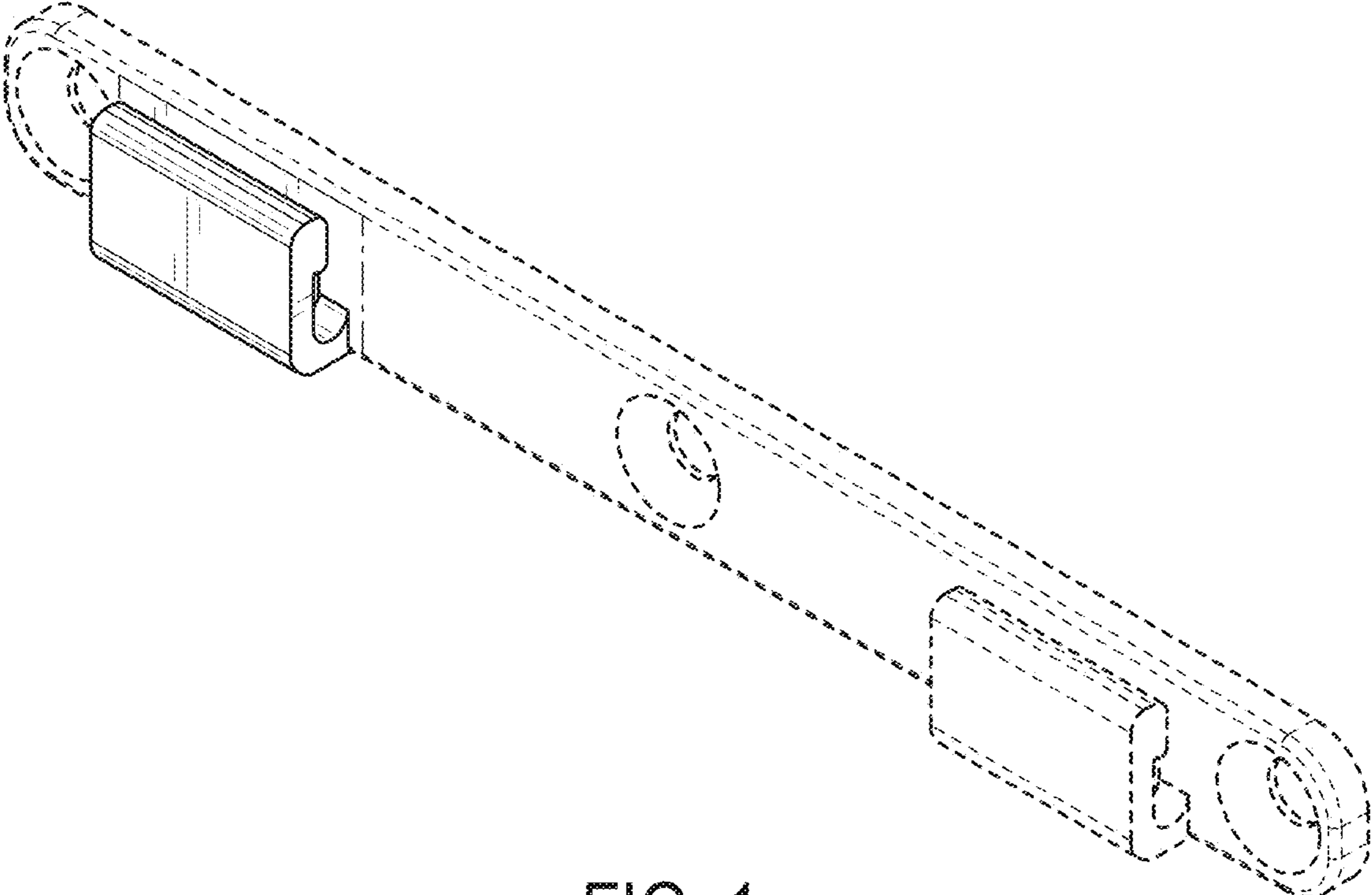


FIG. 1

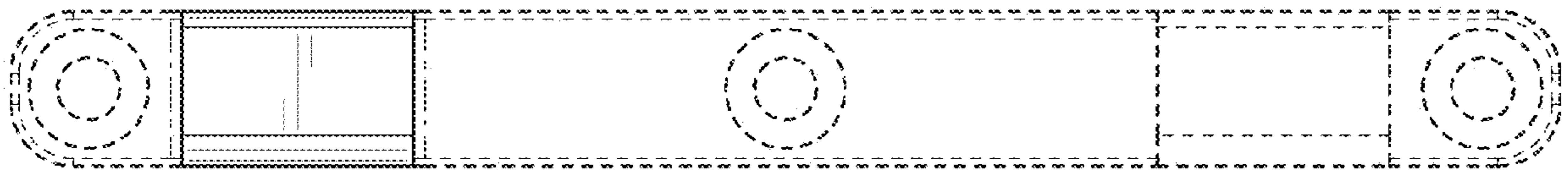


FIG. 2

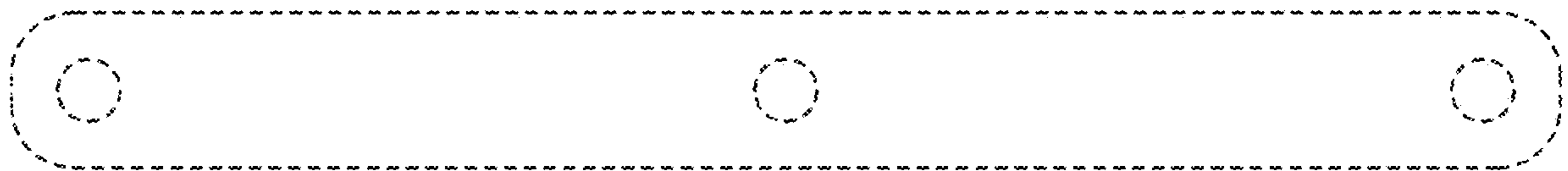


FIG. 3

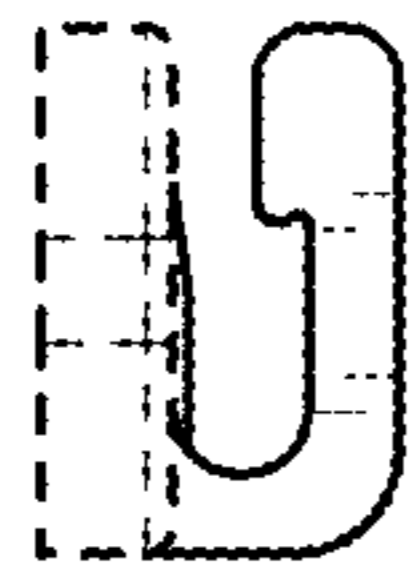


FIG. 4

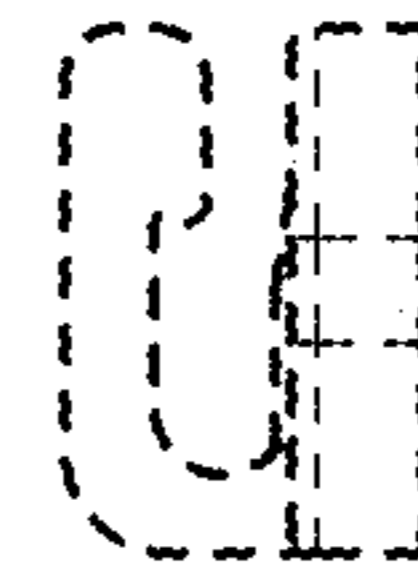


FIG. 5

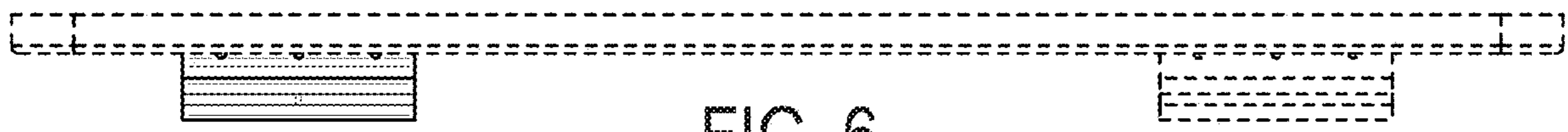


FIG. 6

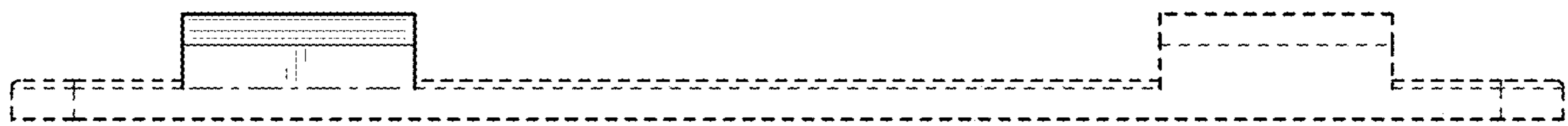


FIG. 7

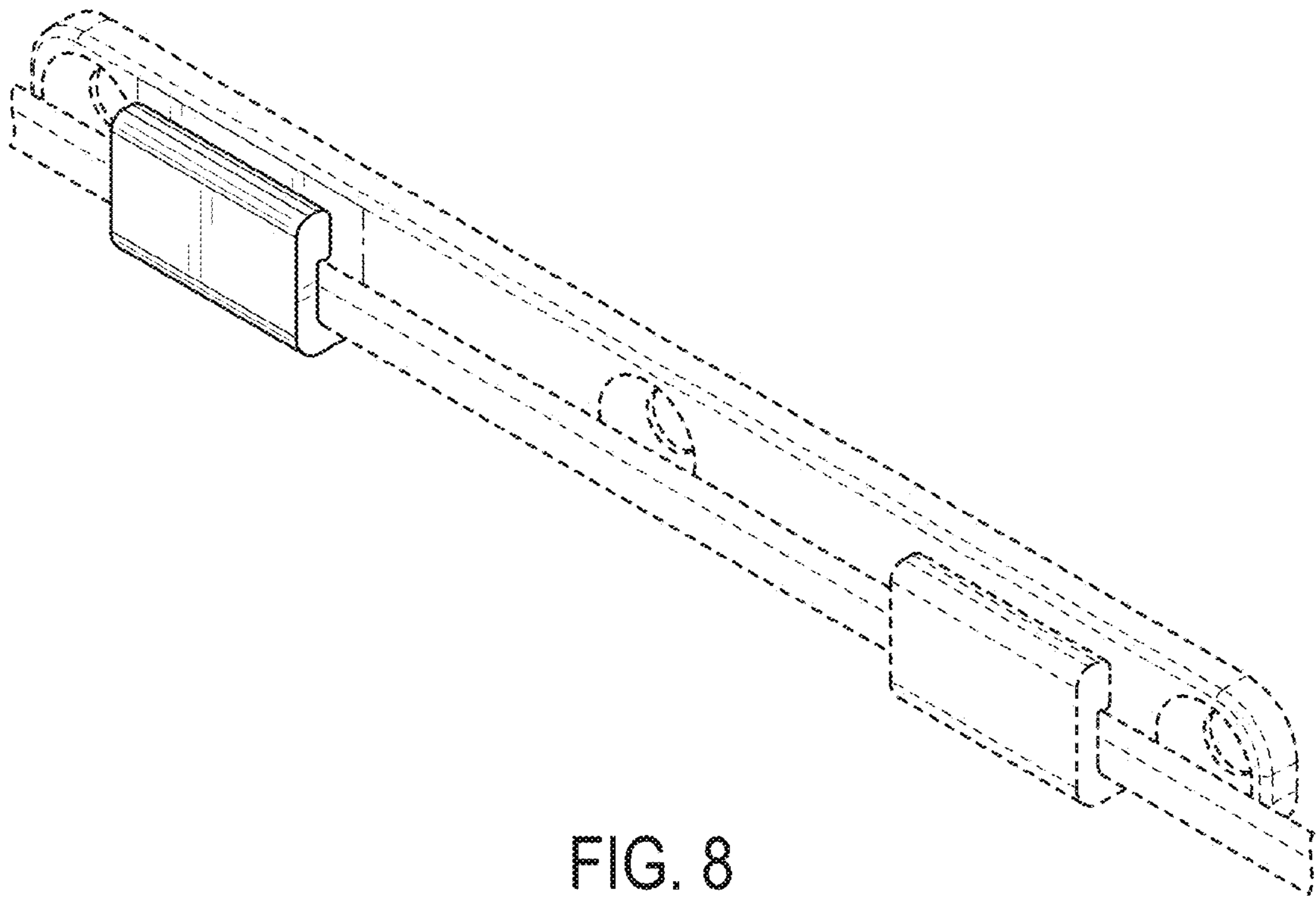


FIG. 8

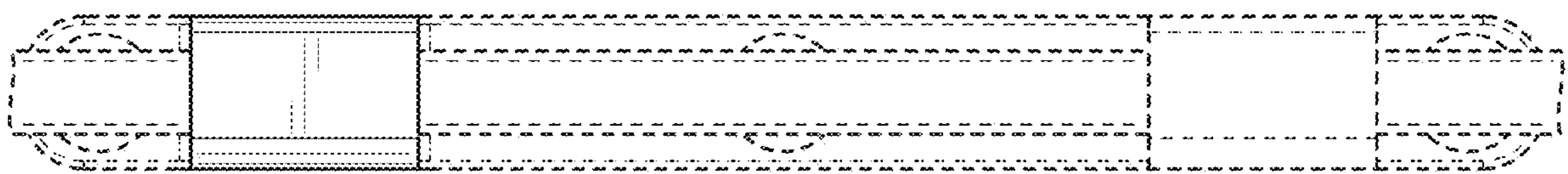


FIG. 9

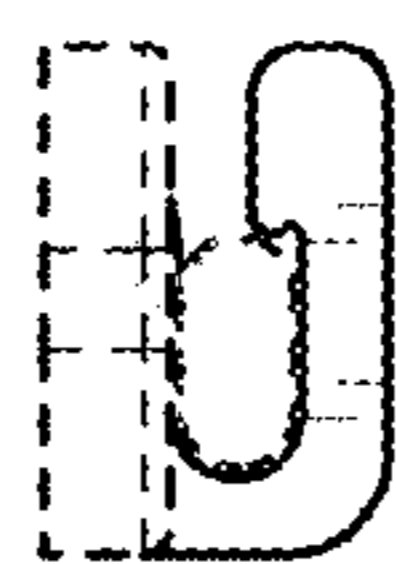


FIG. 10