



US00D971709S

(12) **United States Design Patent** (10) **Patent No.:** **US D971,709 S**
Rico (45) **Date of Patent:** **** Dec. 6, 2022**

(54) **COMBINED LOCK**
(71) Applicant: **Salvador Trullols Rico**, Hongkong (HK)
(72) Inventor: **Salvador Trullols Rico**, Hongkong (HK)
(73) Assignee: **POWERTEK LIMITED**, Hong Kong (HK)
(**) Term: **15 Years**

6,939,161 B1 * 9/2005 Yi H01R 13/6395
439/373
7,559,788 B2 * 7/2009 Legg H01R 13/6395
439/373
7,722,380 B1 * 5/2010 West H01R 13/6395
439/373
7,927,126 B1 * 4/2011 Bender B01J 19/10
439/458
D813,644 S * 3/2018 Finkelstein D8/350
10,461,459 B1 * 10/2019 Carey H01R 13/6395
D938,953 S * 12/2021 Nedelea D14/433
11,258,198 B1 * 2/2022 Nedelea H01R 13/621
11,322,891 B2 * 5/2022 Bowen H01R 13/6395
2007/0249218 A1 * 10/2007 Hanning H01R 13/506
439/517

(21) Appl. No.: **29/752,457**

(Continued)

(22) Filed: **Sep. 28, 2020**

(51) **LOC (13) Cl.** **08-07**

(52) **U.S. Cl.**
USPC **D8/331; D14/433**

(58) **Field of Classification Search**
USPC D8/331, 338-339, 344; D14/433
CPC H01R 13/6395; H01R 13/6397; H01R
13/6273; H01R 13/639
See application file for complete search history.

OTHER PUBLICATIONS

“C14 Secure Sleeve Contact Retention Insert”, Jun. 7, 2018, YouTube.com, site visited Jun. 1, 2022: <https://www.youtube.com/watch?v=VKCidNVGRfU> (Year: 2018).*

(Continued)

Primary Examiner — Jack Reickel
Assistant Examiner — Michael A Kervin

(56) **References Cited**

U.S. PATENT DOCUMENTS

3,606,423 A * 9/1971 McCarthy E05B 67/38
D8/331
4,183,603 A * 1/1980 Donarummo H01R 13/6392
439/369
D263,556 S * 3/1982 Wallace D8/331
4,679,873 A * 7/1987 Brackett, Jr. H01R 13/6397
439/135
5,104,253 A * 4/1992 Zielinski H01R 13/6272
439/271
5,348,495 A * 9/1994 Kasden H01R 13/6395
439/373
D361,500 S * 8/1995 Jenovese D8/331
5,567,175 A * 10/1996 Warden H01R 24/30
439/736

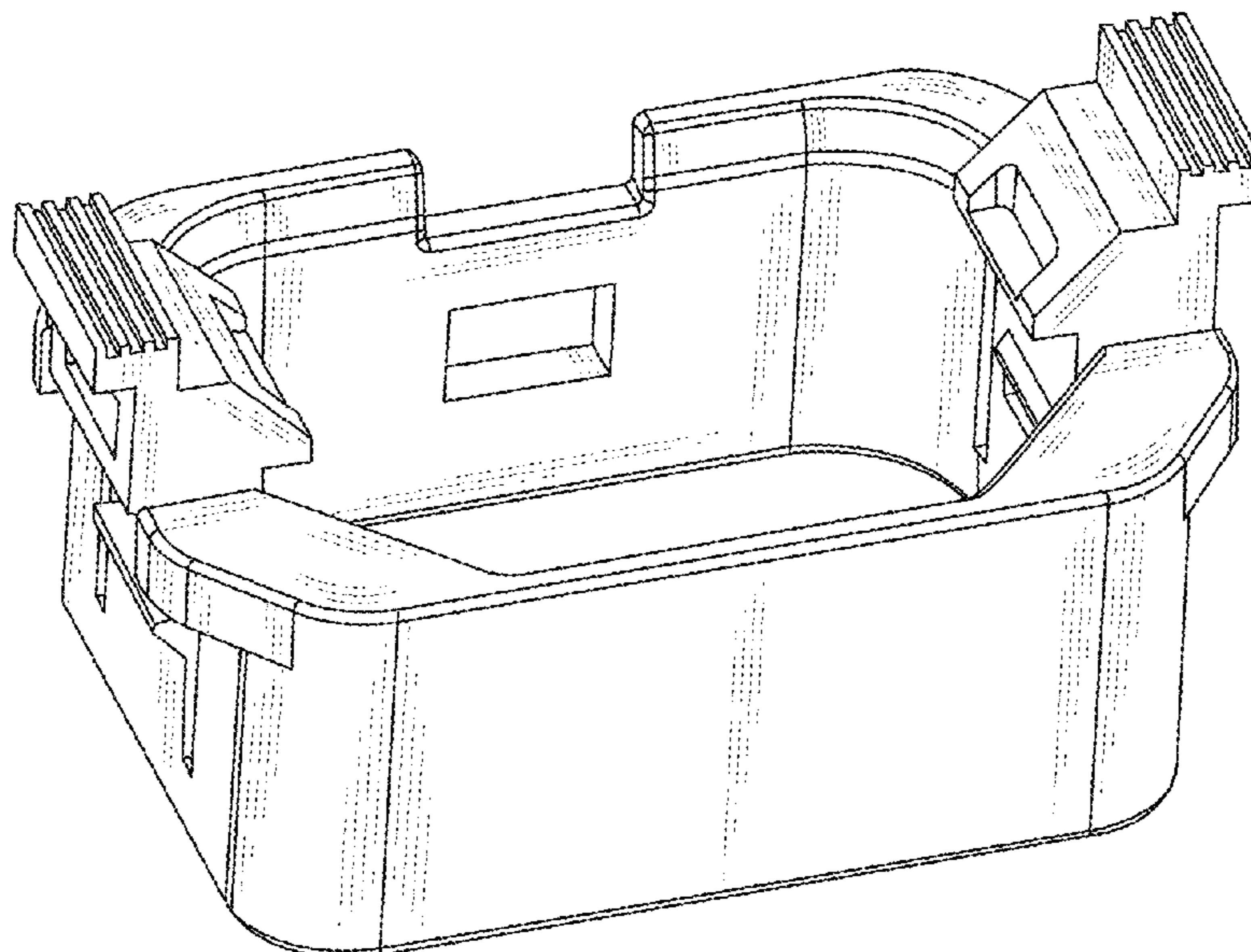
(57) **CLAIM**

The ornamental design for a combined lock, as shown and described.

DESCRIPTION

FIG. 1 is a perspective view of a combined Lock showing my new design;
FIG. 2 is a front elevational view thereof;
FIG. 3 is a rear elevational view thereof;
FIG. 4 is a left side elevational view thereof;
FIG. 5 is a right side elevational view thereof;
FIG. 6 is a top plan view thereof; and,
FIG. 7 is a bottom plan view thereof.

1 Claim, 7 Drawing Sheets



(56)

References Cited

U.S. PATENT DOCUMENTS

2008/0220640 A1* 9/2008 Fekonia H01R 13/6273
439/258
2012/0005865 A1* 1/2012 Boden F16G 11/101
24/136 R
2013/0183855 A1* 7/2013 Warner H01R 13/6395
439/536
2014/0322959 A1* 10/2014 Garofalo H01R 13/6397
439/373
2017/0201044 A1* 7/2017 Tsay H01R 13/639
2018/0083387 A1* 3/2018 Preuss H01R 13/6275
2020/0227856 A1* 7/2020 Metzler H01R 13/6273
2021/0234298 A1* 7/2021 Avganim H01R 13/434
2021/0328381 A1* 10/2021 Kumarswamy H01R 13/73

OTHER PUBLICATIONS

“Richbay Power cord Insert”, May 27, 2019, YouTube.com, site visited Jun. 1, 2022: <https://www.youtube.com/watch?v=ULGA6B92mb8> (Year: 2019).*

* cited by examiner

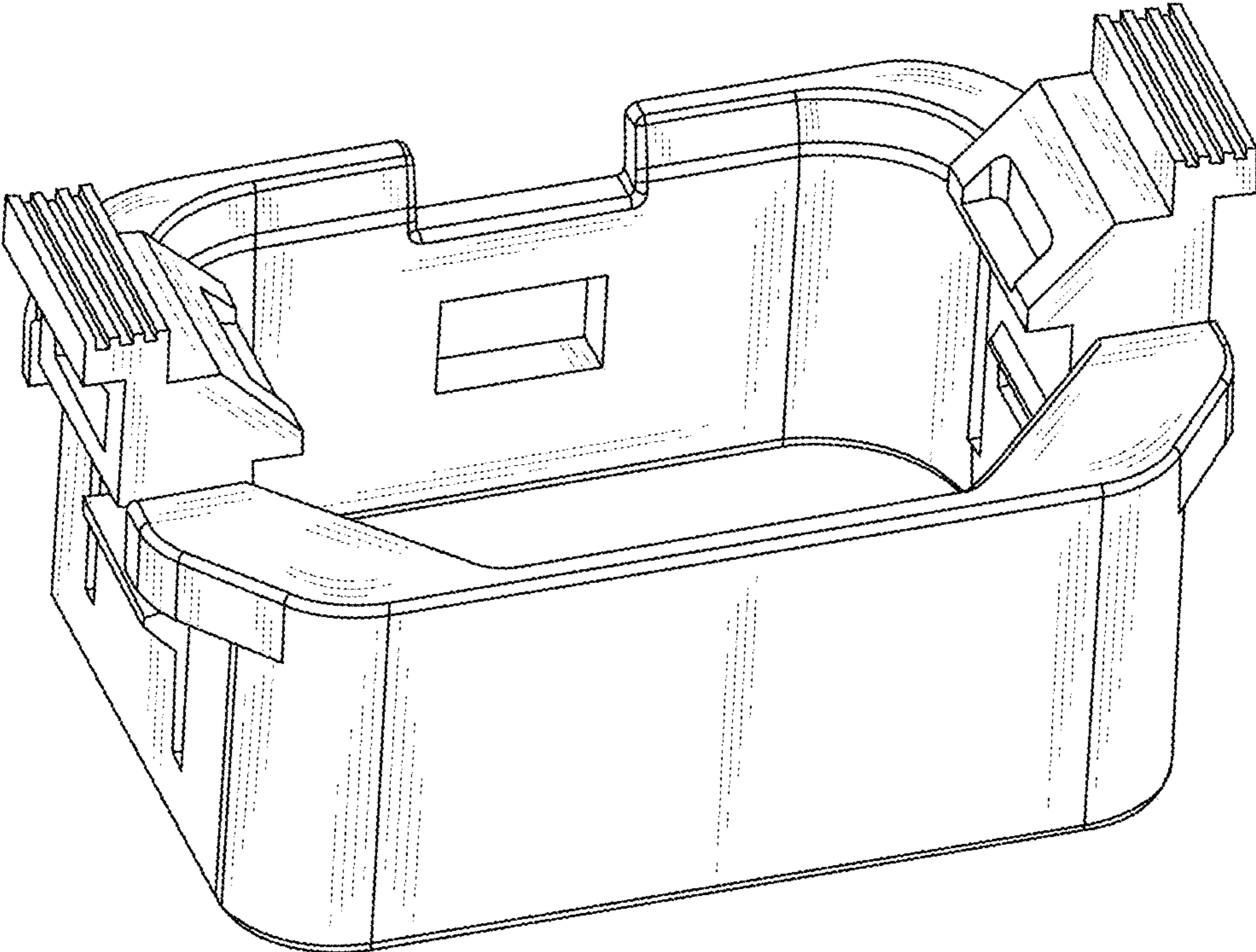


FIG. 1

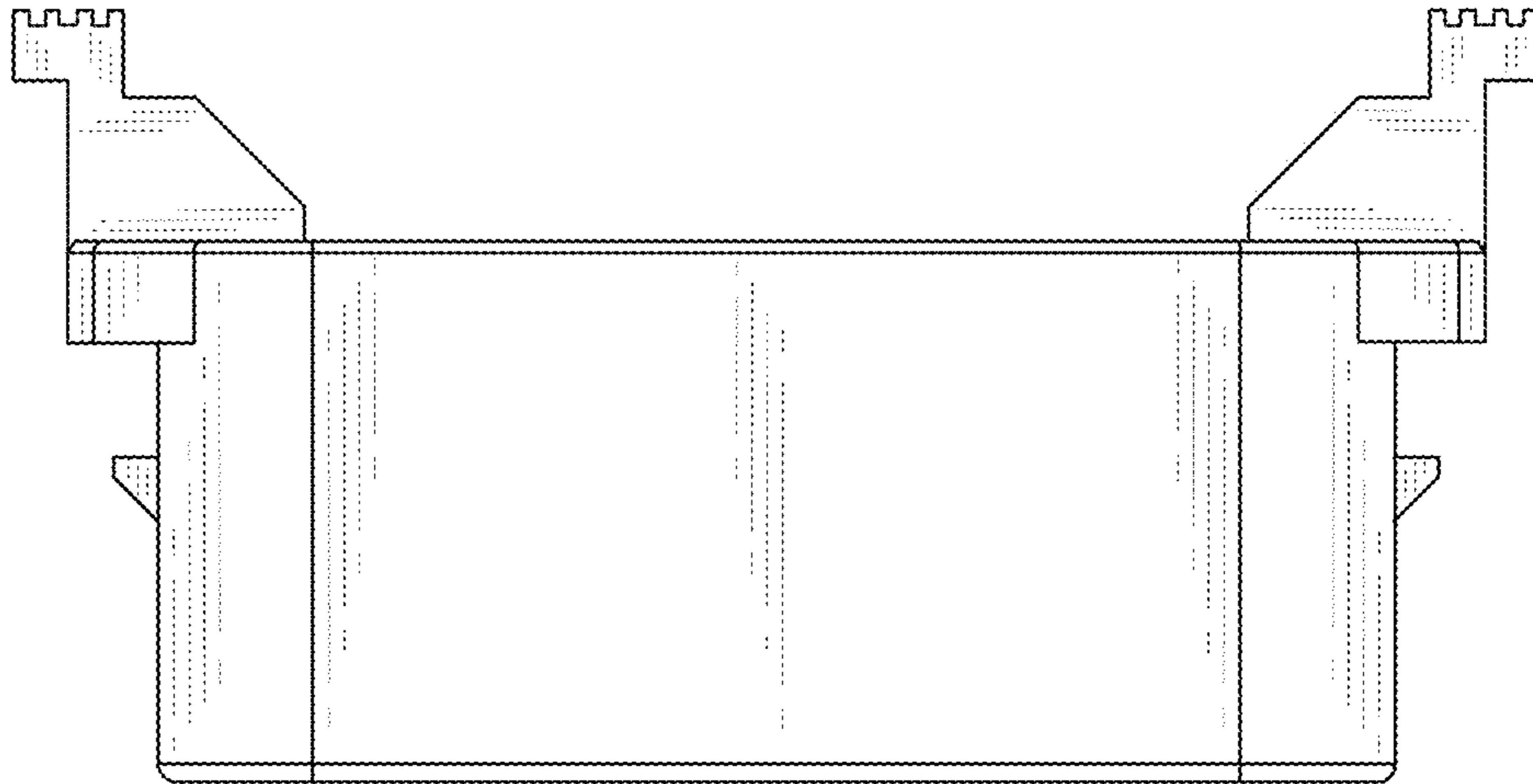


FIG. 2

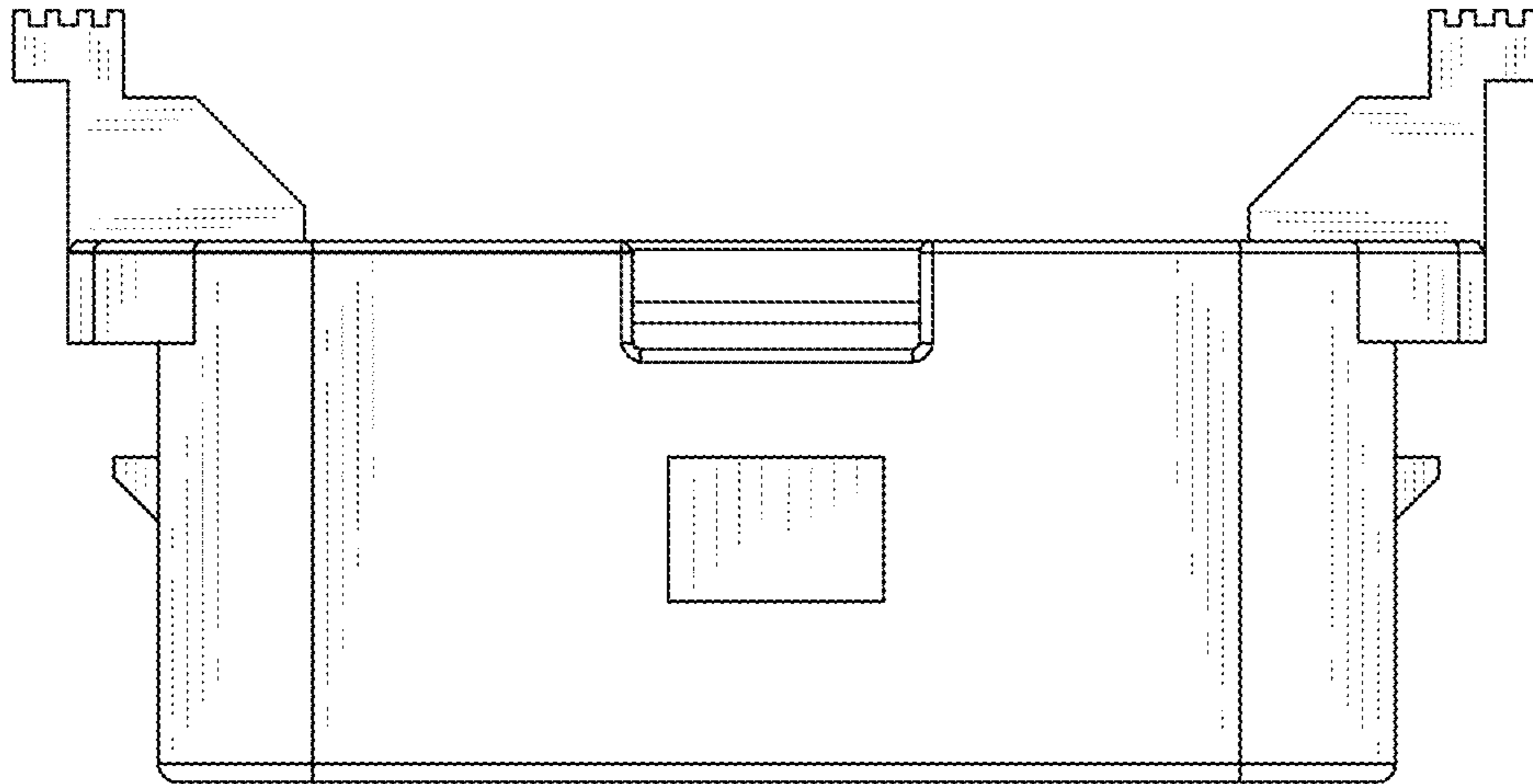


FIG. 3

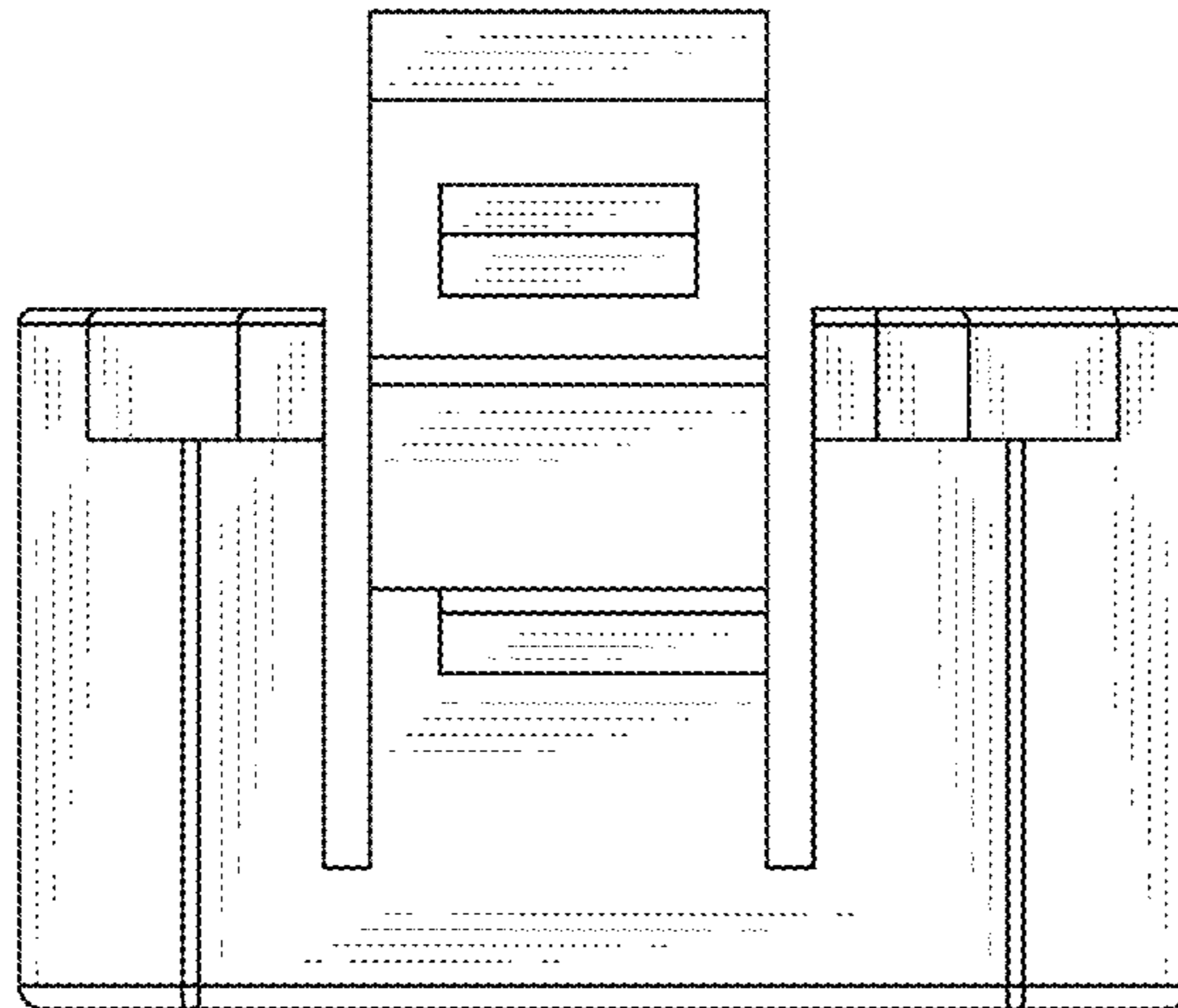


FIG. 4

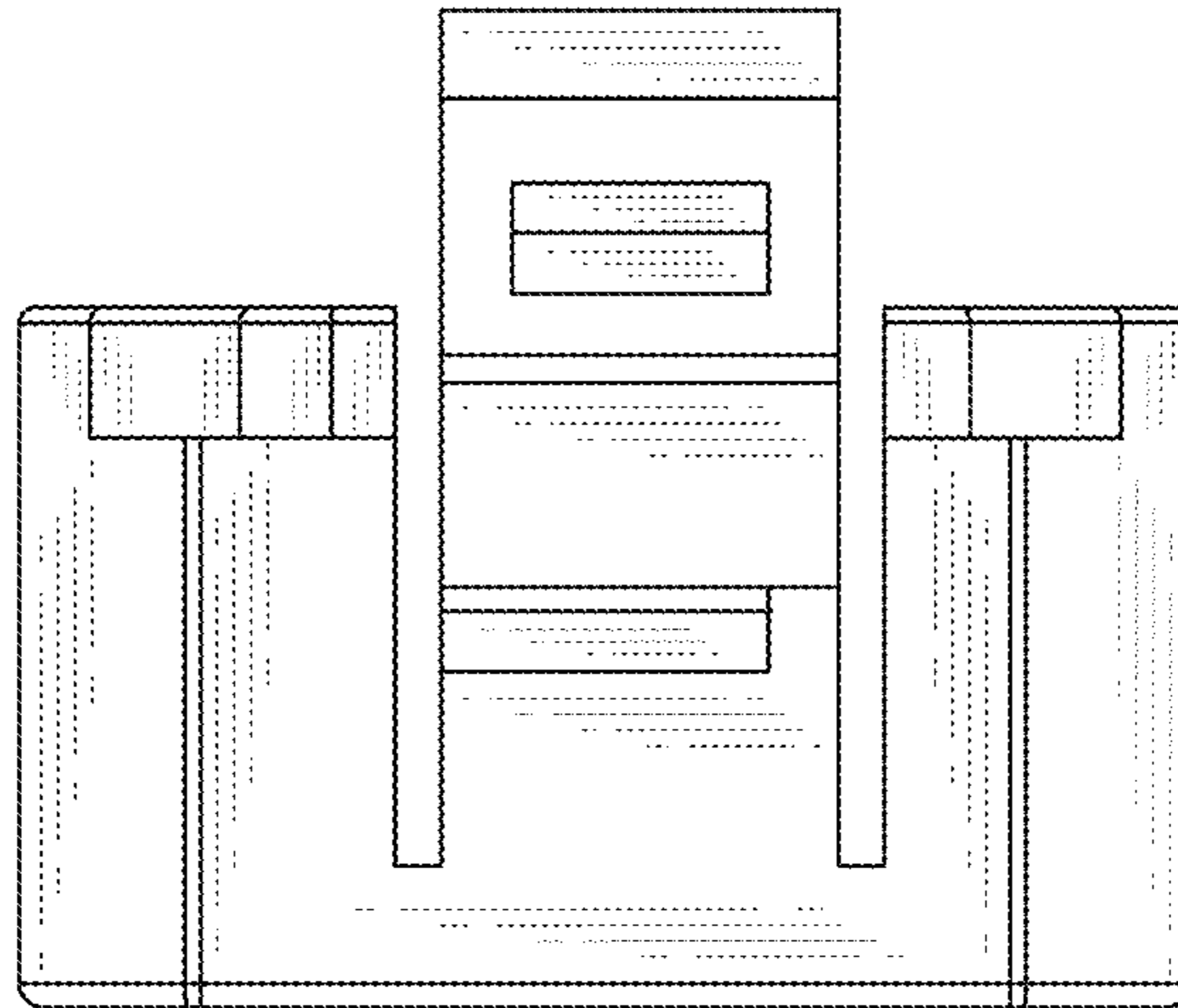


FIG. 5

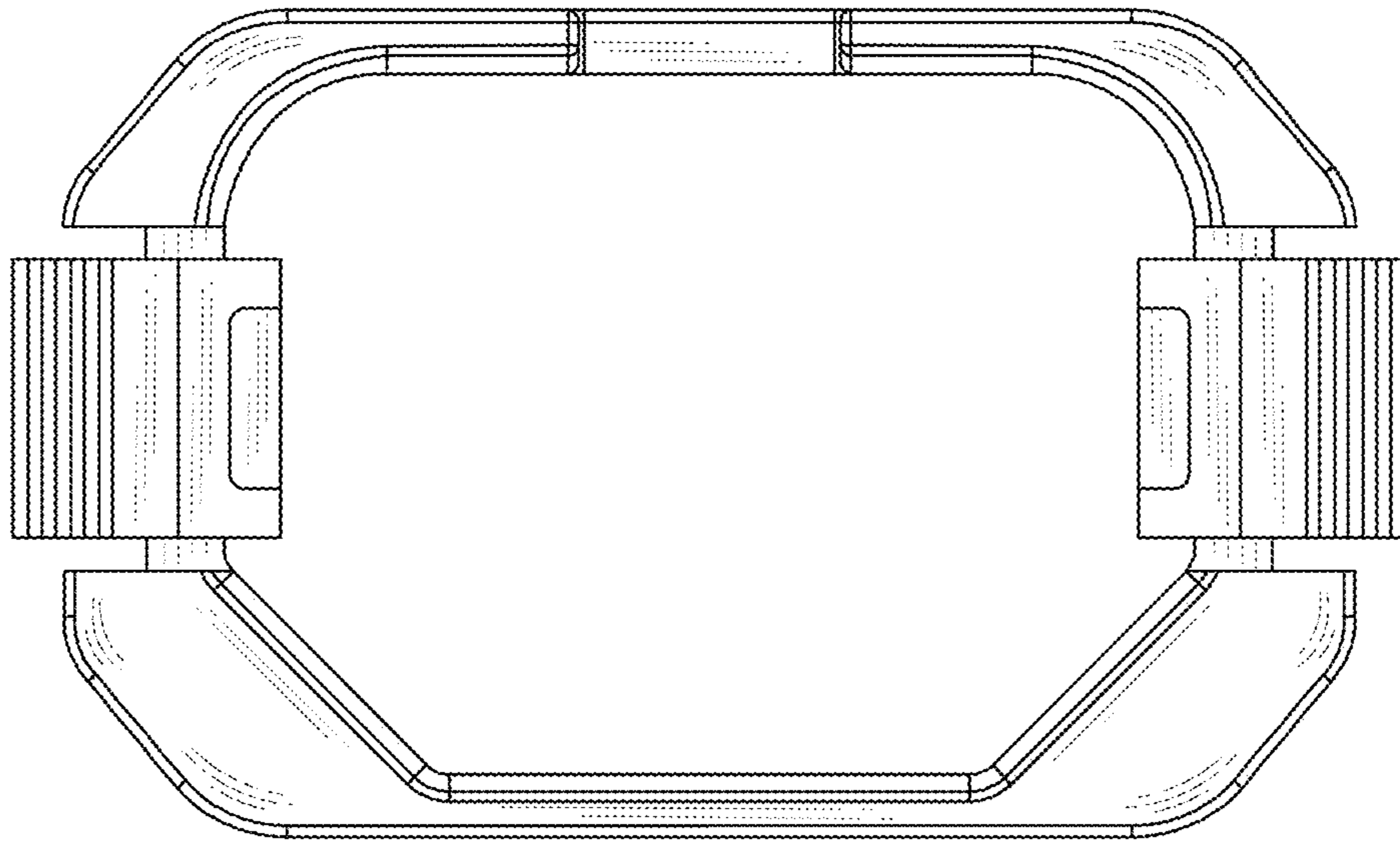


FIG. 6

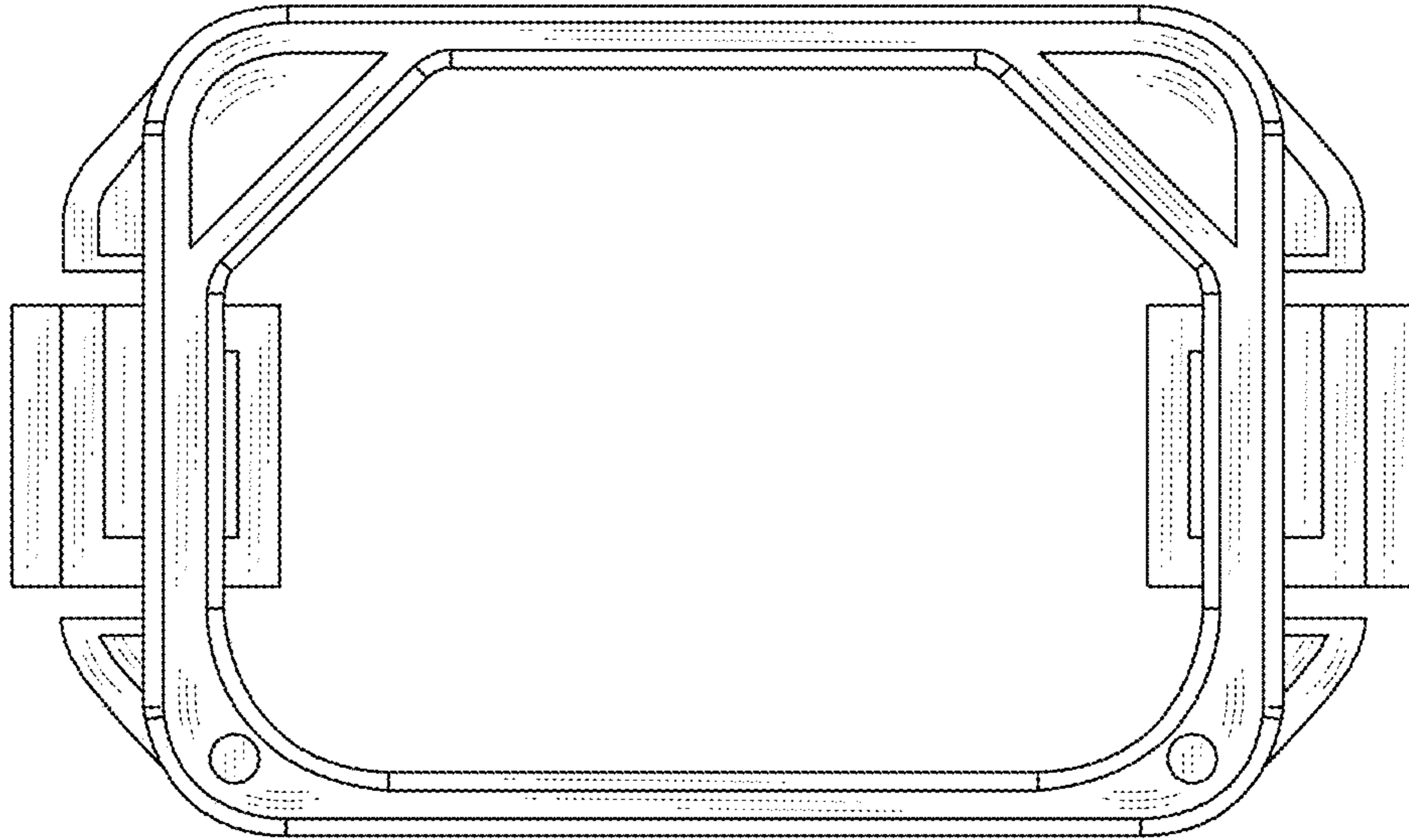


FIG. 7