



US00D971708S

(12) **United States Design Patent** (10) **Patent No.:** **US D971,708 S**
Hsu (45) **Date of Patent:** **** Dec. 6, 2022**

(54) **TOOL HOLDER** 8,708,143 B2 * 4/2014 Liu B25H 3/022
206/376

(71) Applicant: **SUNDOVE INDUSTRIAL CO., LTD.,** 8,950,597 B2 * 2/2015 Lin B25H 3/003
Taichung (TW) 211/70.6

(72) Inventor: **Yu-Shen Hsu, Taichung (TW)** D781,677 S * 3/2017 Saunders D8/71
D784,104 S * 4/2017 Lai D8/71
D789,092 S * 6/2017 Ou D3/315
D805,870 S * 12/2017 Kinsky D8/71
D808,237 S * 1/2018 Tatom D8/71

(73) Assignee: **SUNDOVE INDUSTRIAL CO., LTD.,** 2008/0202963 A1 * 8/2008 Liao B25H 3/003
Taichung (TW) 206/377

(**) Term: **15 Years** 2013/0228484 A1 * 9/2013 Yang B25H 3/003
206/349

(21) Appl. No.: **29/703,519** 2013/0277258 A1 * 10/2013 Lai B25B 15/008
206/377

* cited by examiner

(22) Filed: **Aug. 28, 2019**

(51) **LOC (13) Cl.** **08-06**

(52) **U.S. Cl.**
USPC **D8/315**

(58) **Field of Classification Search**
USPC D8/71, 315, 354, 306-307, 321, 382, 70,
D8/72, 74, 336, 51, 373
CPC B25B 23/0028; B25F 1/04; B23B
2231/2027; B23B 51/009; B23C 2250/04;
B23C 5/26; B25H 3/003; B25H 3/06;
F16B 2/12; F16M 11/242; F16M 11/42;
F16M 13/022; G01B 5/02
See application file for complete search history.

Primary Examiner — Karen S Acker
Assistant Examiner — Elizabeth Sun Ko
(74) *Attorney, Agent, or Firm* — Alan D. Kamrath; Karin
L. Williams; Mayer & Williams PC

(57) **CLAIM**

The ornamental design for a tool holder, as shown and described.

DESCRIPTION

FIG. 1 is a perspective view of a tool holder showing my new design;
FIG. 2 is a front view thereof;
FIG. 3 is a rear view thereof;
FIG. 4 is a left view thereof;
FIG. 5 is a right view thereof;
FIG. 6 is a top view thereof; and,
FIG. 7 is a bottom view thereof.
The broken lines depict portions of the tool holder that form no part of the claimed design.

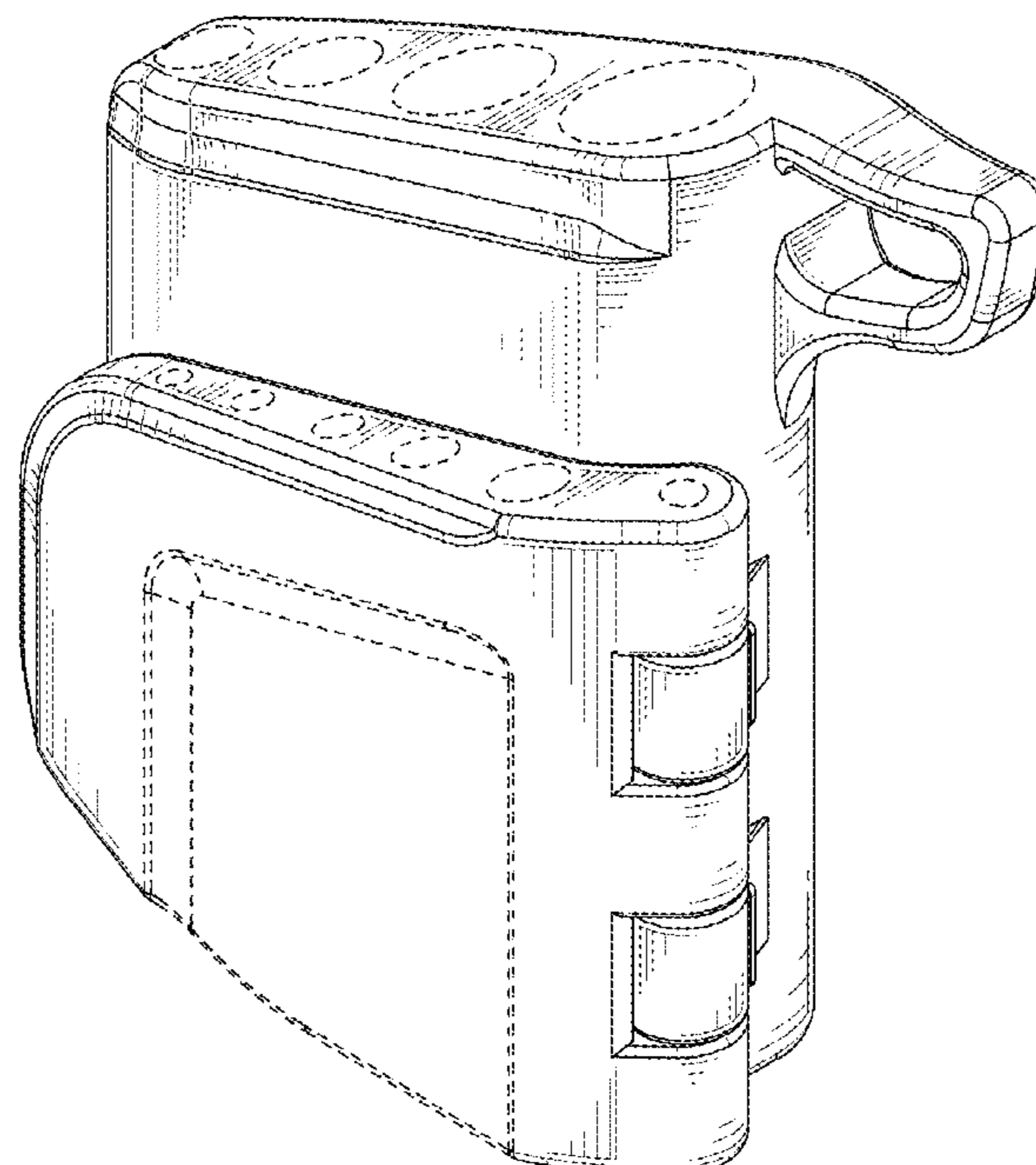
(56) **References Cited**

U.S. PATENT DOCUMENTS

D343,106 S * 1/1994 Eklind D19/85
5,522,291 A * 6/1996 Liu B25F 1/02
81/177.4

D435,415 S * 12/2000 Johnson D8/71
D437,763 S * 2/2001 Oliver D3/905
D459,967 S * 7/2002 Johnson D8/71
D461,311 S * 8/2002 Gharib D3/315
D566,508 S * 4/2008 Lin D8/71

1 Claim, 7 Drawing Sheets



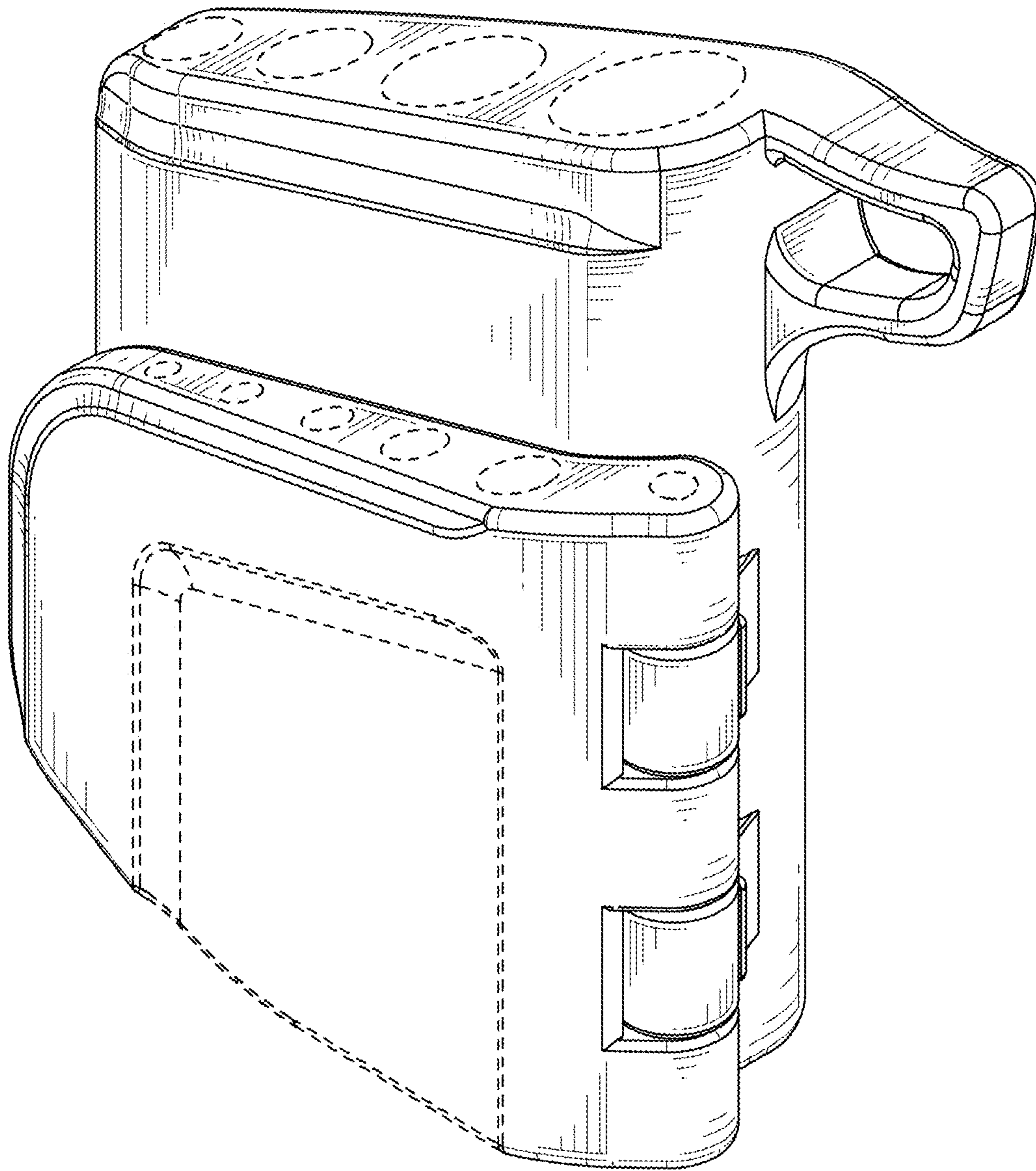


FIG.1

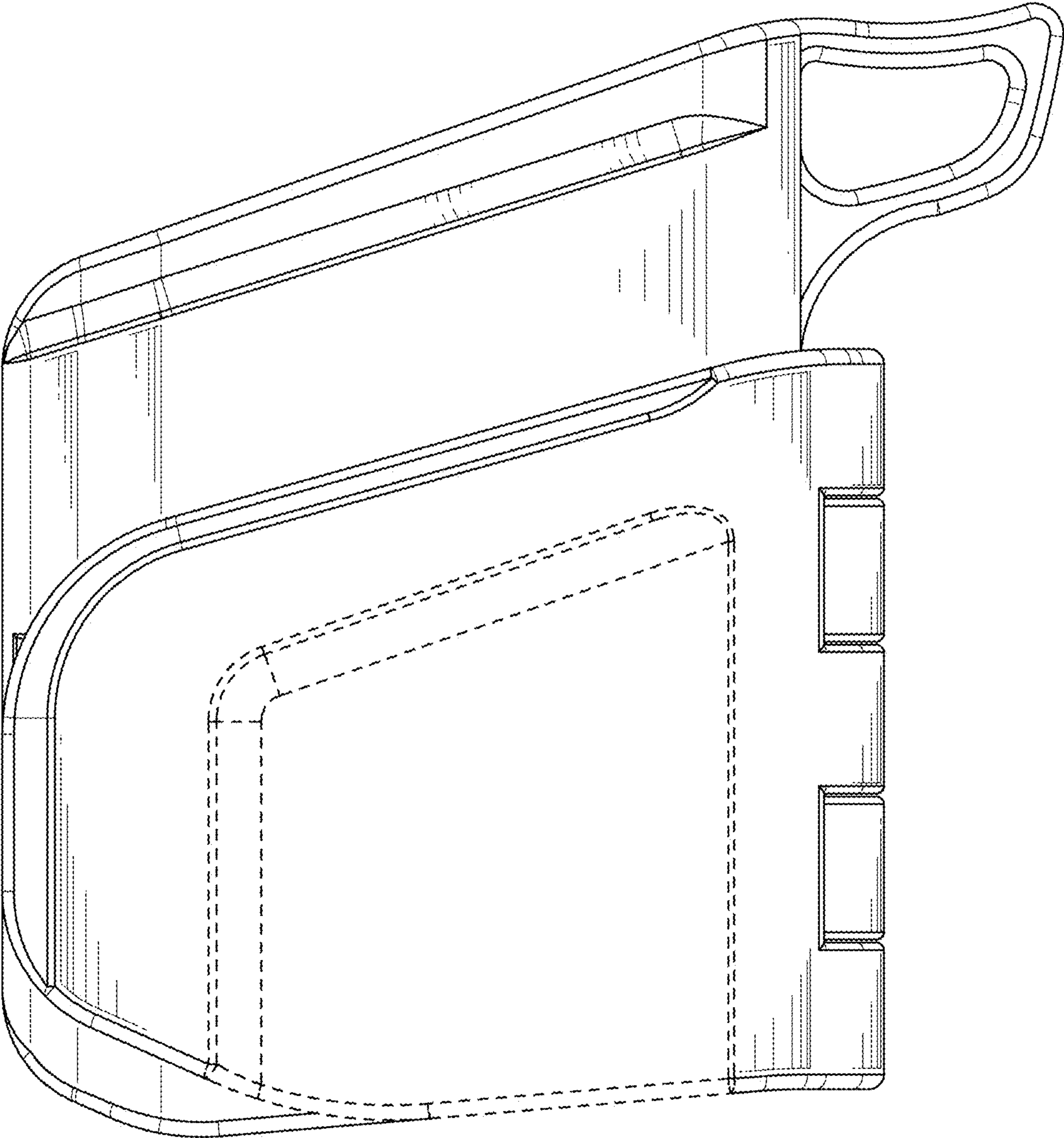


FIG.2

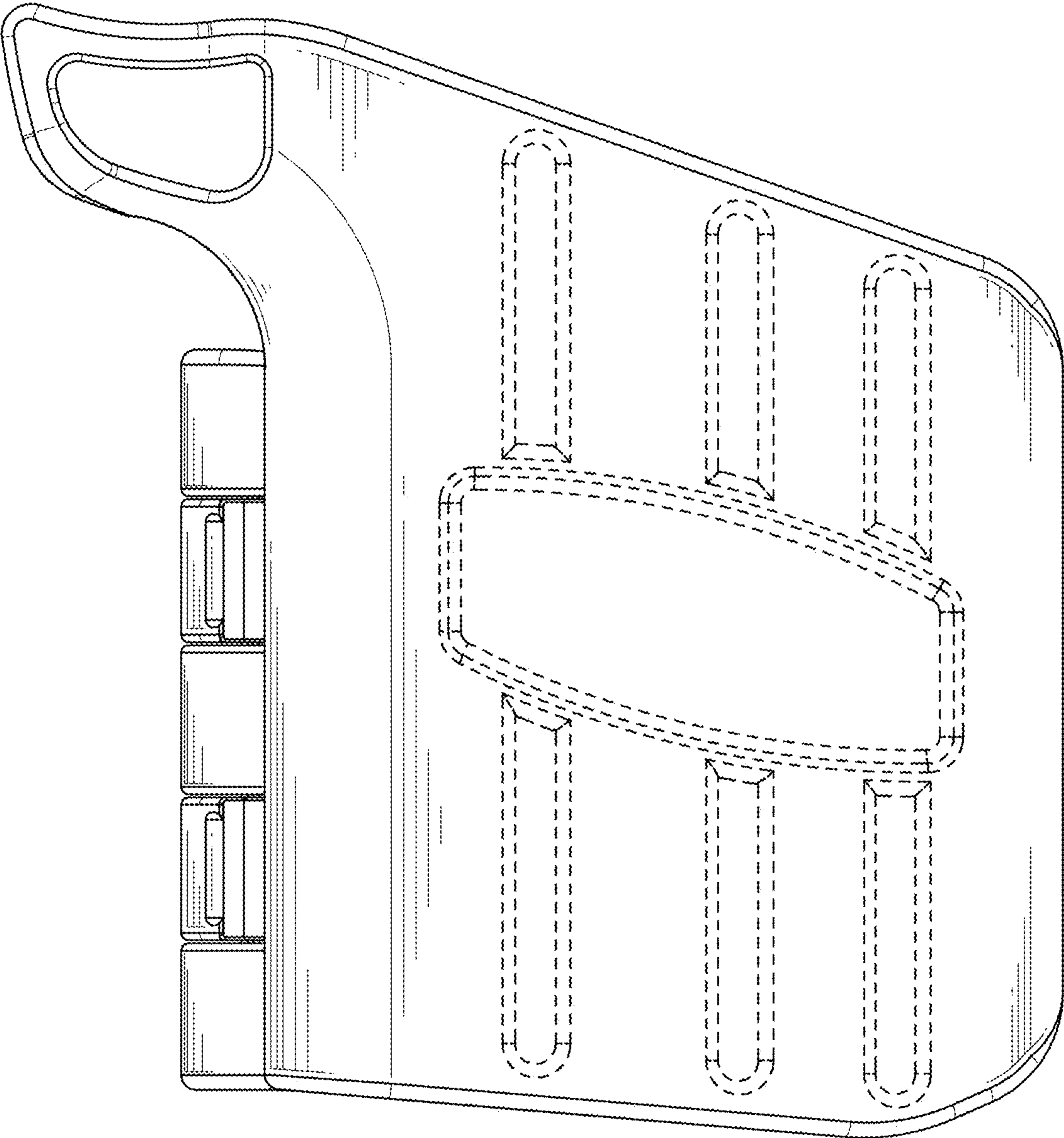


FIG.3

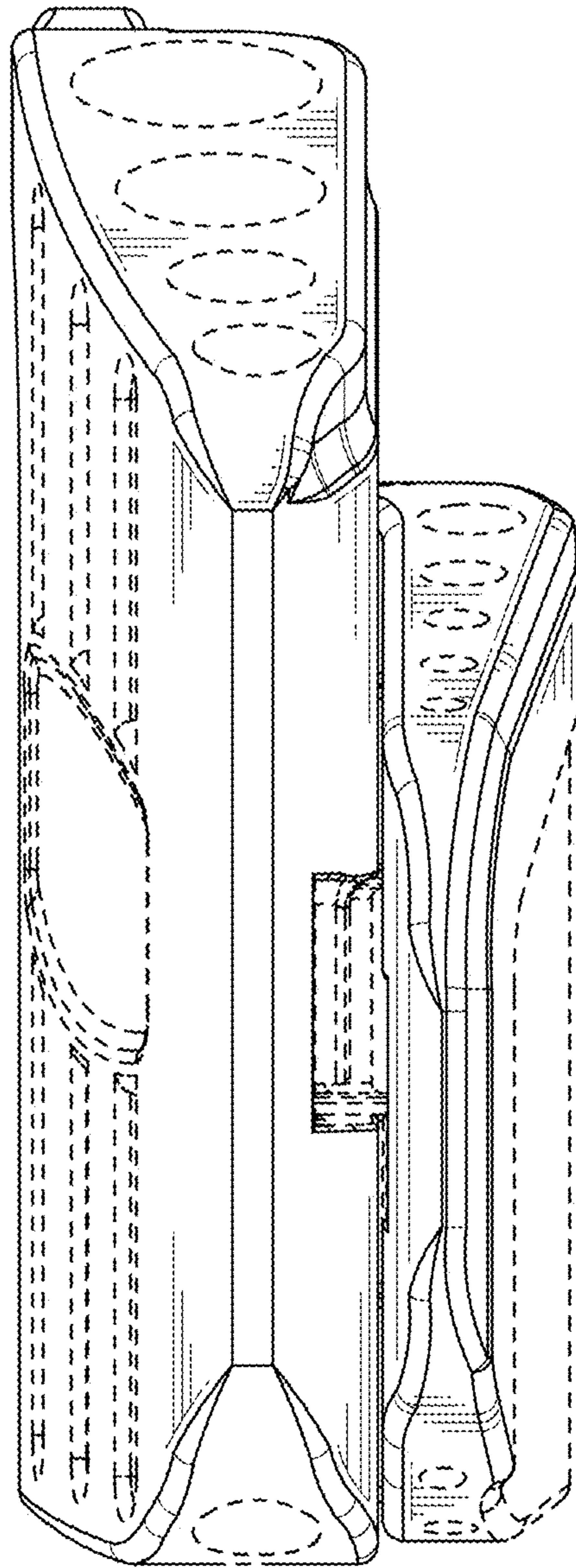


FIG.4

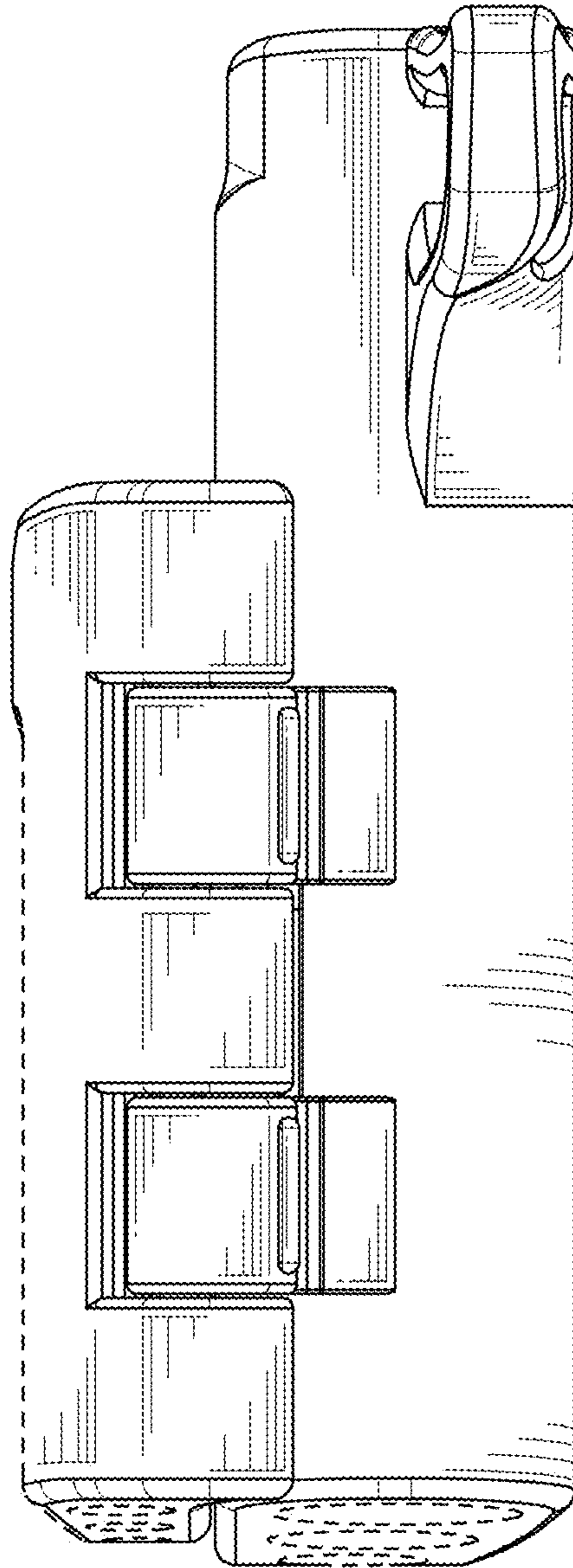


FIG.5

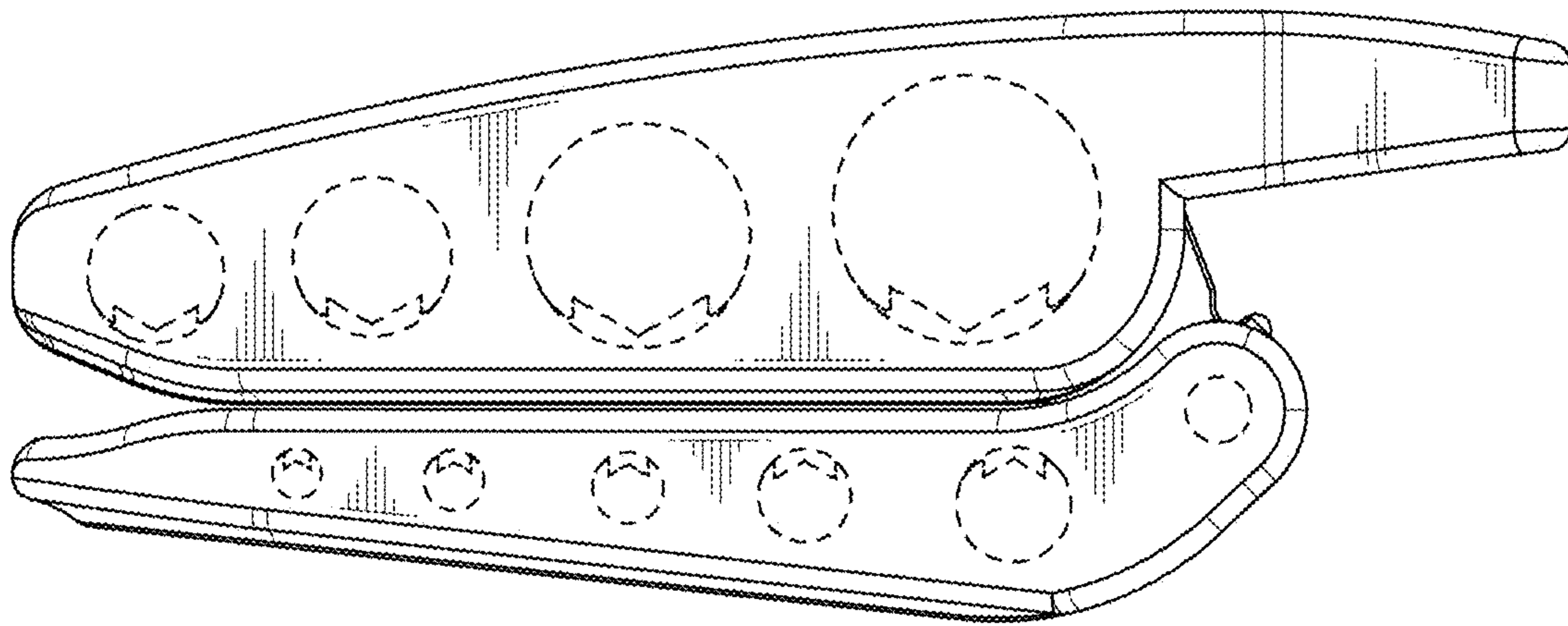


FIG.6

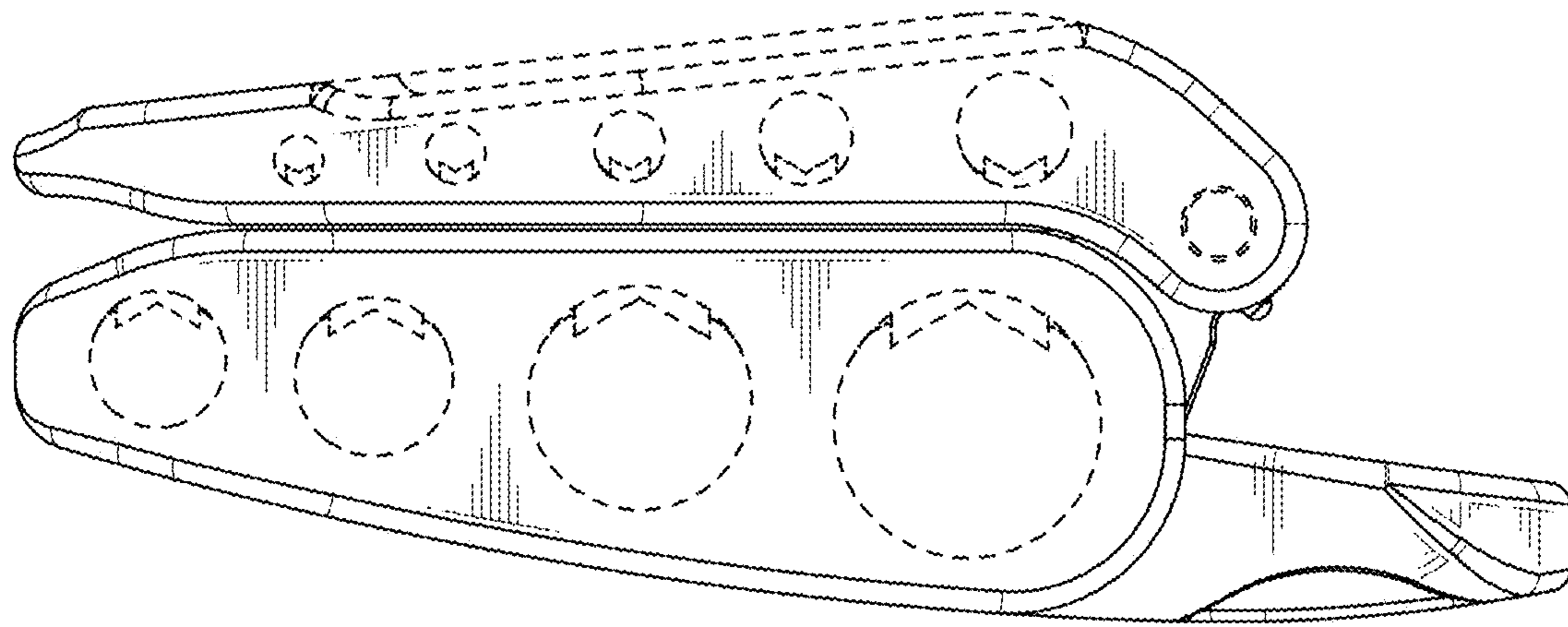


FIG.7