



US00D971707S

(12) **United States Design Patent** (10) **Patent No.:** **US D971,707 S**
Van Lierop (45) **Date of Patent:** **** Dec. 6, 2022**

(54) **HAND CRANK AND BODY**
(71) Applicant: **Zhejiang Zhengte Co., Ltd.**, Zhejiang (CN)
(72) Inventor: **Patrick Johannes Maria Van Lierop**, Leerdam (NL)
(73) Assignee: **Zhejiang Zhengte Co., Ltd.**, Zhejiang (CN)
(**) Term: **15 Years**

(21) Appl. No.: **29/750,019**
(22) Filed: **Sep. 10, 2020**

(30) **Foreign Application Priority Data**
Mar. 17, 2020 (EM) 007757729-0001
(51) **LOC (13) Cl.** **08-06**
(52) **U.S. Cl.**
USPC **D8/309; D3/10**
(58) **Field of Classification Search**
USPC D8/300–302, 303, 307, 308, 309; D3/10, D3/12
CPC A45B 25/14; A45B 2023/0012; A45B 2025/146; A45B 2025/003
See application file for complete search history.

(56) **References Cited**
U.S. PATENT DOCUMENTS
D369,741 S * 5/1996 Harrison D8/309
6,182,917 B1 * 2/2001 Lai A45B 25/14
242/395
6,230,724 B1 * 5/2001 Lai A45B 25/14
242/395

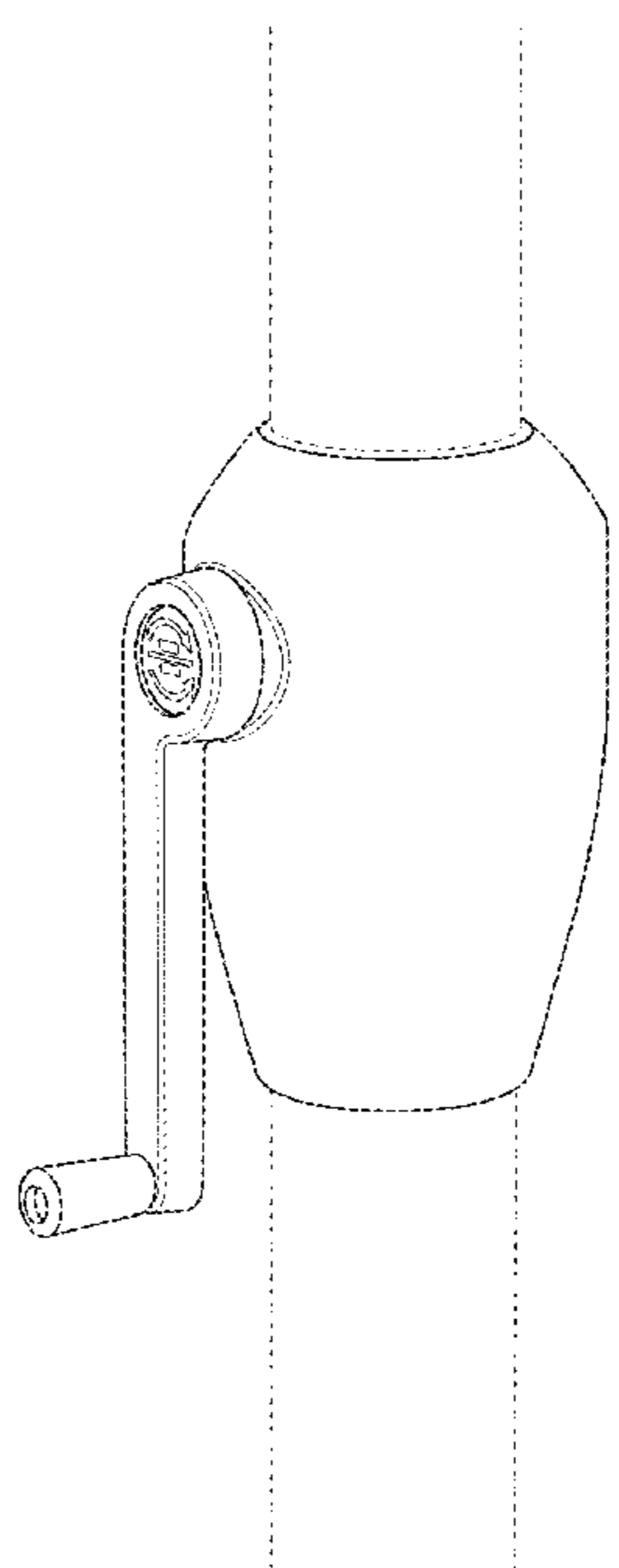
D523,320 S * 6/2006 Bertani D8/309
D668,445 S * 10/2012 Patzak D3/10
D745,361 S * 12/2015 Glasband D8/309
D760,057 S * 6/2016 Bertani D8/309
D948,201 S * 4/2022 Wang D3/10
2003/0015228 A1 * 1/2003 Liu A45B 25/14
135/25.4
2003/0234033 A1 * 12/2003 Lai A45B 25/14
135/20.3
2006/0249188 A1 * 11/2006 DeFouw A45B 3/04
135/98
2014/0028242 A1 * 1/2014 Akin H02J 7/02
320/101
2018/0098605 A1 * 4/2018 Lowery A45B 25/00
2019/0226229 A1 * 7/2019 Tung A45B 23/00

* cited by examiner
Primary Examiner — Lauren R Calve
(74) *Attorney, Agent, or Firm* — Schroeder Law PC

(57) **CLAIM**
The ornamental design for a hand crank and body, as shown and described.

DESCRIPTION
FIG. 1 is a first perspective view of a hand crank and body showing my new design;
FIG. 2 is a front elevation view thereof;
FIG. 3 is a second perspective view thereof;
FIG. 4 is a third perspective view thereof;
FIG. 5 is a fourth perspective view thereof;
FIG. 6 is a bottom plan view thereof, the broken line subject matter removed for clarity of illustration; and,
FIG. 7 is a top plan view thereof, the broken line subject matter removed for clarity of illustration.
The broken lines depict portions of the hand crank and body that form no part of the claimed design.

1 Claim, 7 Drawing Sheets



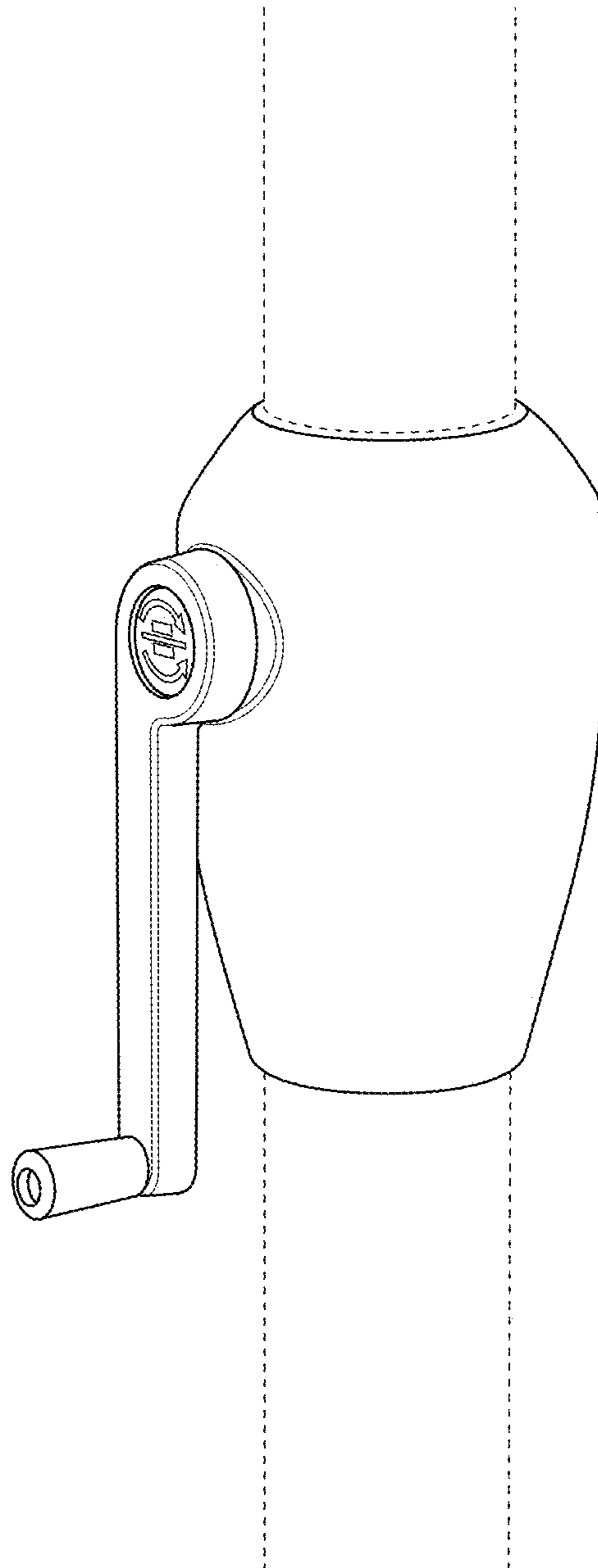


Fig. 1

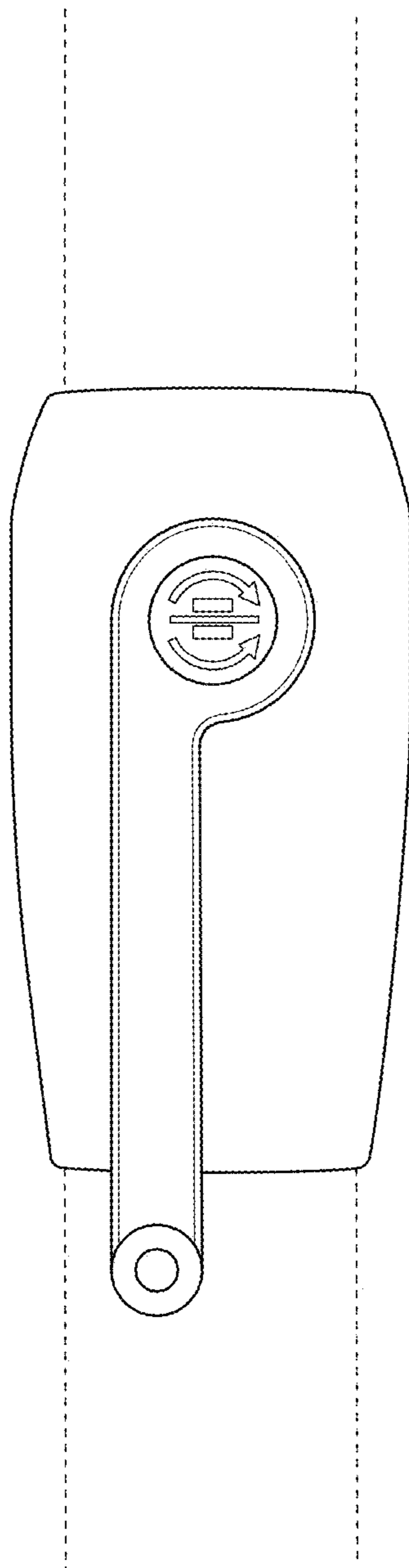


Fig. 2

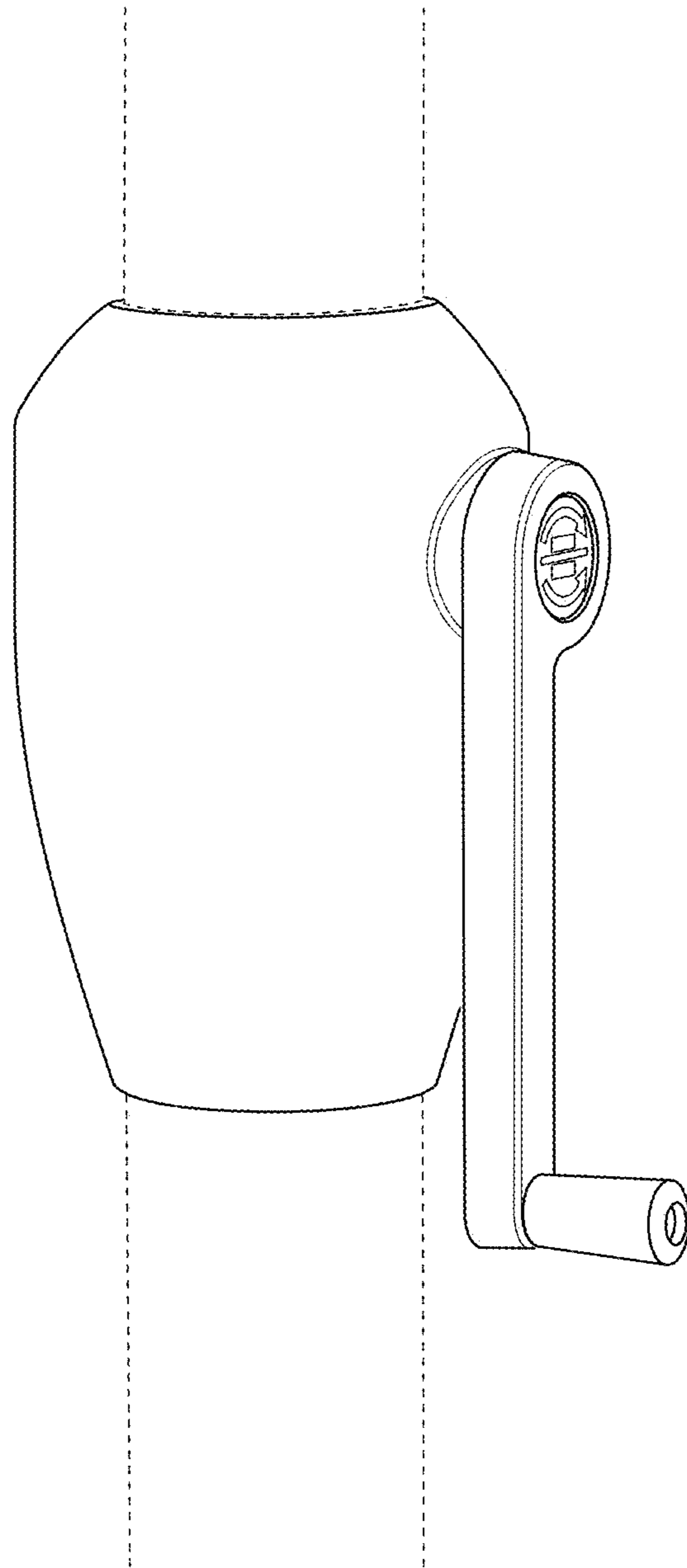


Fig. 3

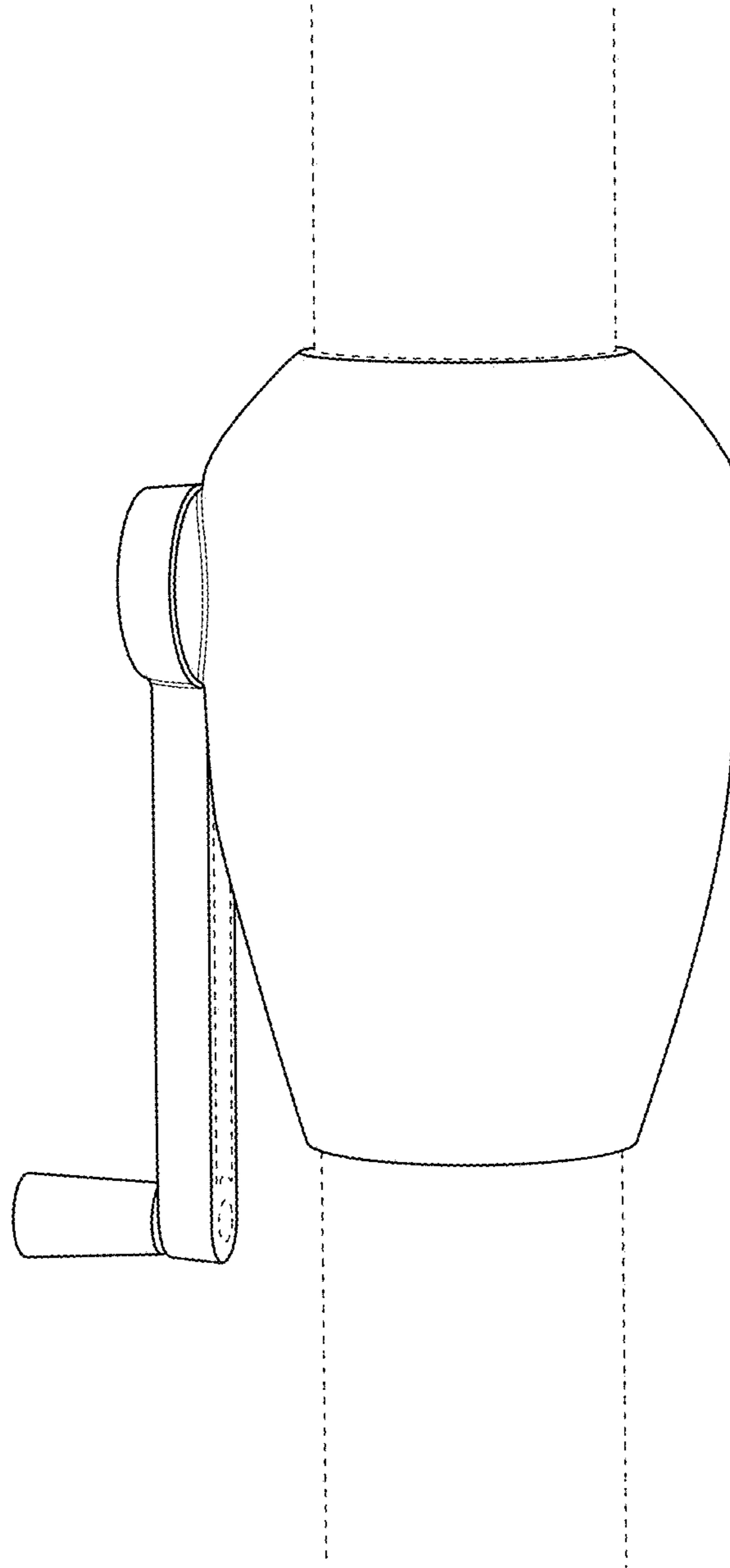


Fig. 4

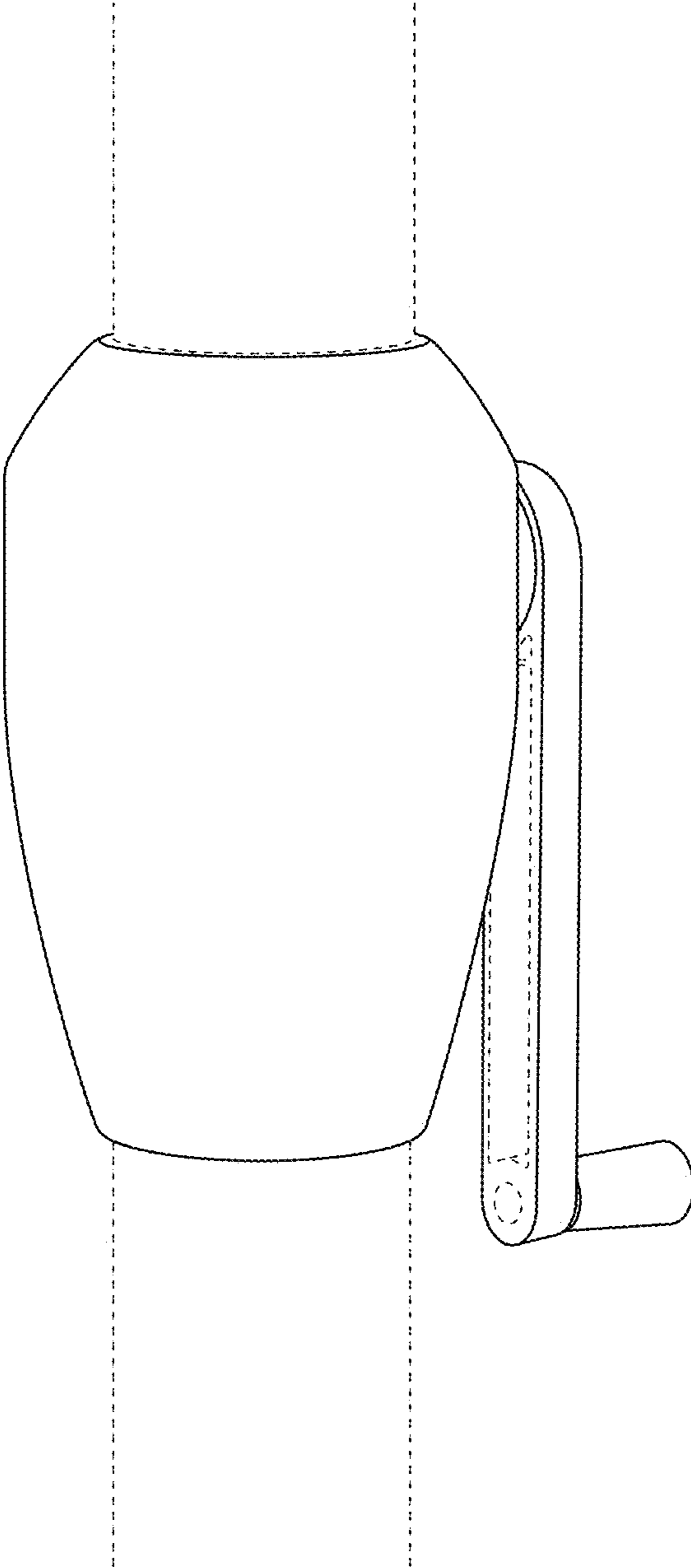


Fig. 5

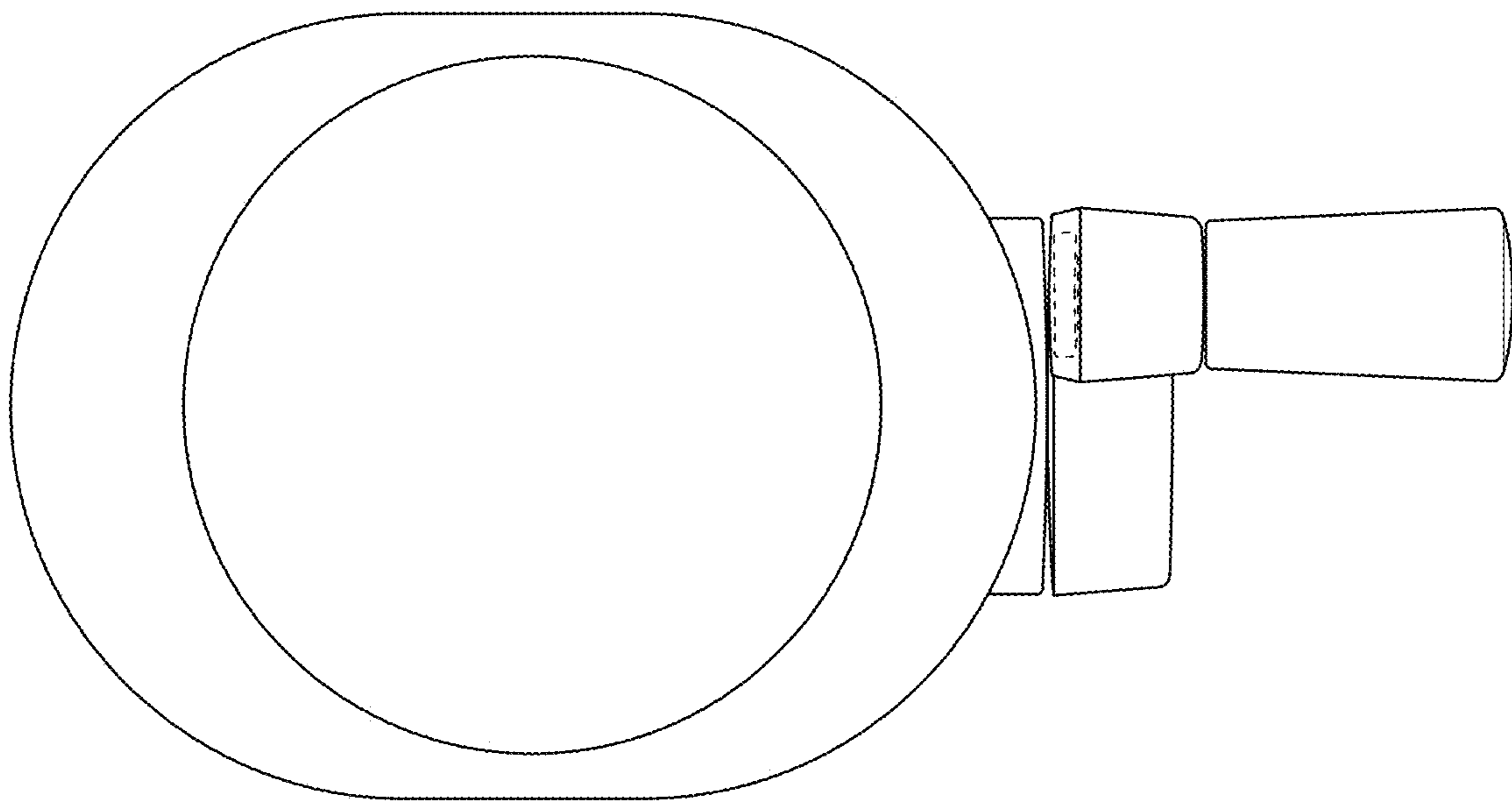


Fig. 6

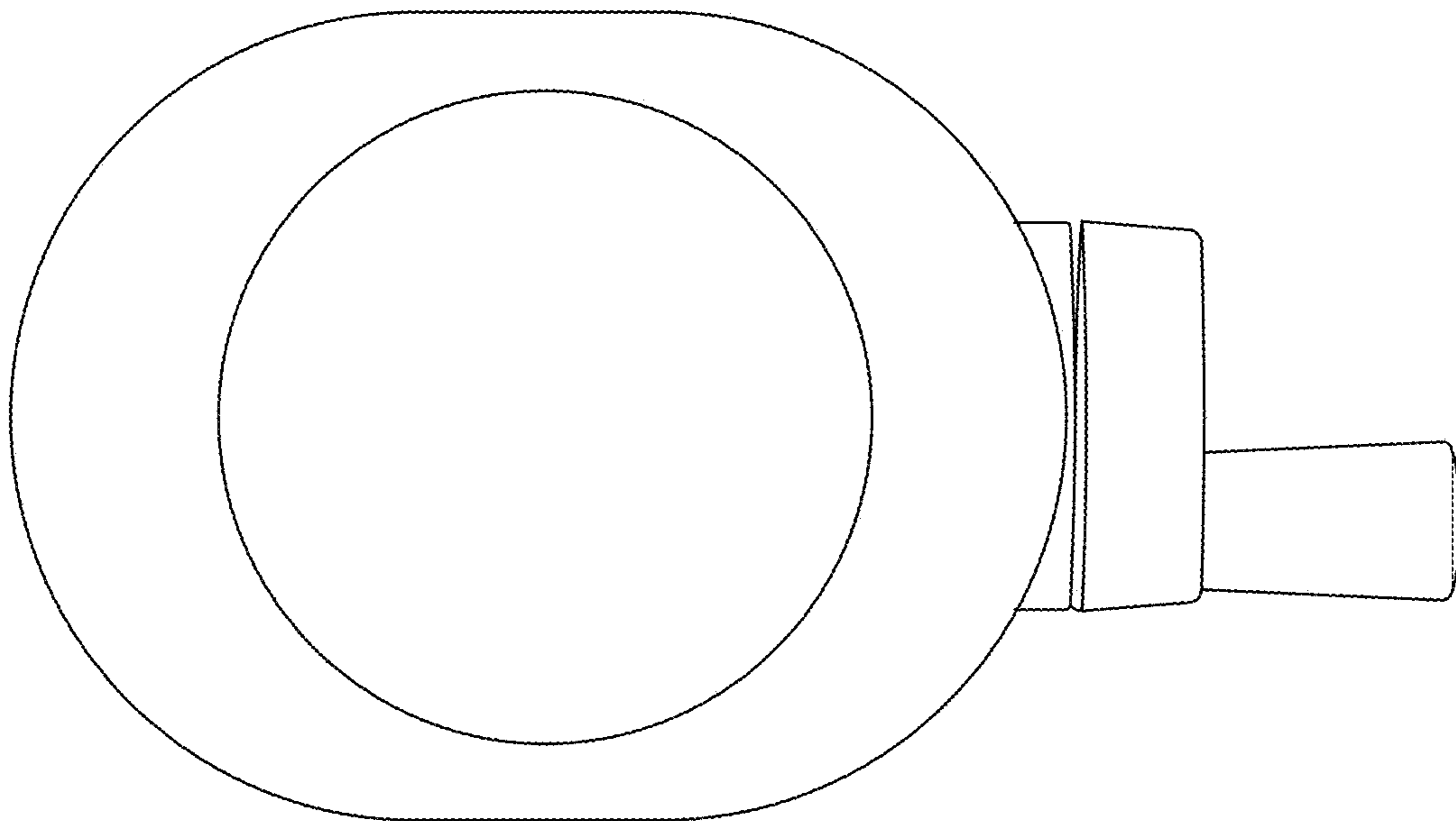


Fig. 7