



US00D971705S

(12) **United States Design Patent** (10) **Patent No.:** **US D971,705 S**
Bublitz et al. (45) **Date of Patent:** **** Dec. 6, 2022**

(54) **SOCKET**
(71) Applicant: **APEX BRANDS, INC.**, Apex, NC (US)
(72) Inventors: **Scott Bublitz**, Denver, NC (US); **Pratik Bendale**, Concord, NC (US)
(73) Assignee: **APEX BRANDS, INC.**, Apex, NC (US)
(**) Term: **15 Years**
(21) Appl. No.: **29/727,186**
(22) Filed: **Mar. 9, 2020**
(51) **LOC (13) Cl.** **08-05**
(52) **U.S. Cl.**
USPC **D8/29**
(58) **Field of Classification Search**
USPC D8/25, 29
CPC B25B 13/06; B25B 13/065; B25B 23/0035
See application file for complete search history.

D649,417 S * 11/2011 Gresham D8/29
D675,496 S * 2/2013 Chang D8/29
D709,744 S * 7/2014 Kluhsman, Jr. D8/29
2015/0040729 A1* 2/2015 Ou B25B 13/06
81/121.1
2020/0139522 A1* 5/2020 Chiang B25B 13/06
2020/0198102 A1* 6/2020 Wu B25B 13/065
2021/0370485 A1* 12/2021 Hsieh B25B 23/0035

OTHER PUBLICATIONS

“Stanley 89-339 1/2-Inch Drive 12-Point Professional Grade Metric Socket Set, 15-Piece” Amazon, Feb. 13, 2007, accessed Mar. 2, 2021 URL:<www.amazon.com/Stanley-89-339-12-Point-Professional-15-Piece/dp/B000NJ63Q8> (Year: 2007).*

* cited by examiner

Primary Examiner — Rachel A. Voorhies
Assistant Examiner — Benjamin D. Wannemacher
(74) *Attorney, Agent, or Firm* — Burr & Forman, LLP

(57) **CLAIM**

The ornamental design for a socket, as shown and described.

DESCRIPTION

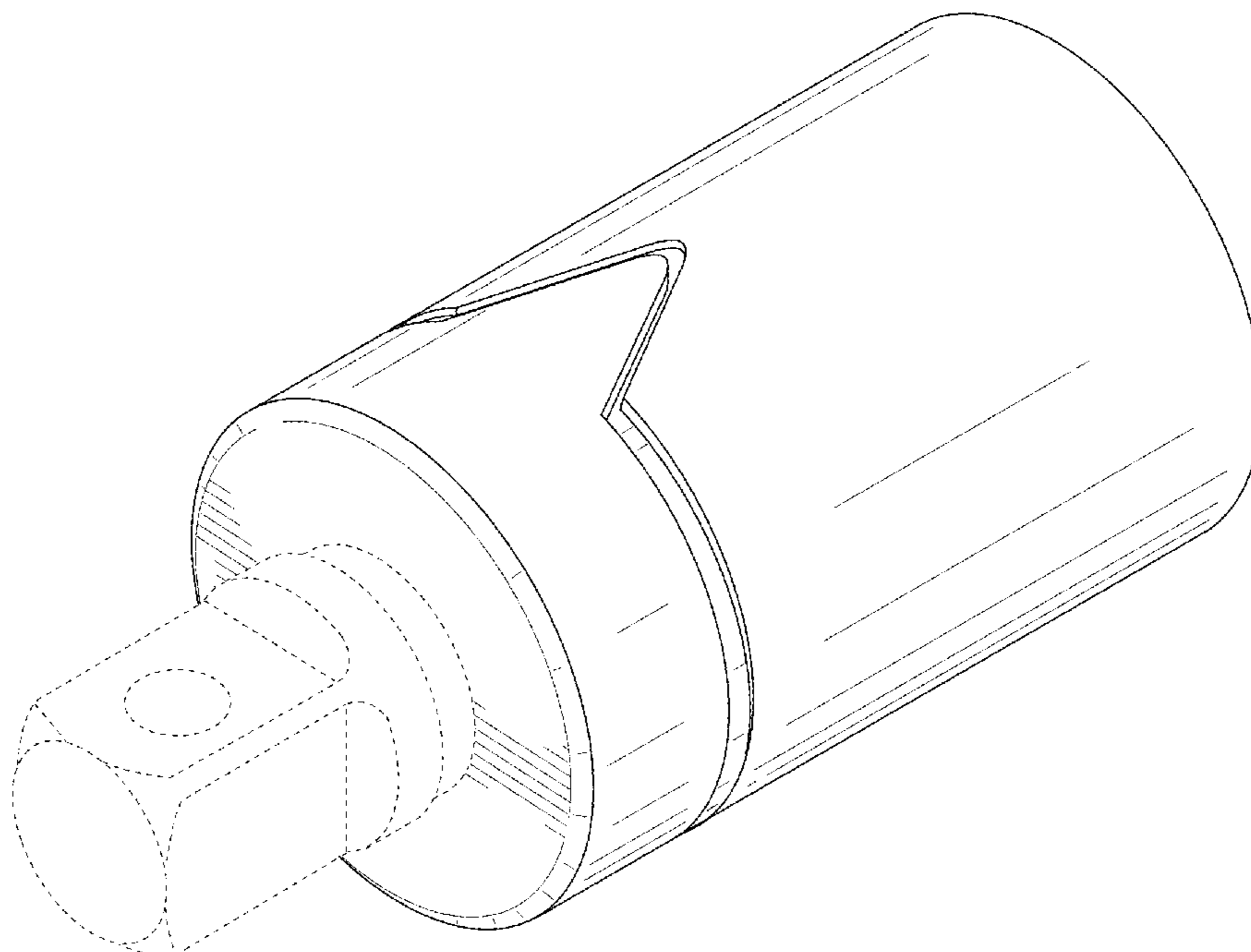
FIG. 1 is a perspective view of a socket in accordance with an embodiment of the present invention;
FIG. 2 is a front view of the socket of FIG. 1;
FIG. 3 is a rear view of the socket of FIG. 1;
FIG. 4 is a left side view of the socket of FIG. 1;
FIG. 5 is a right side view of the socket of FIG. 1;
FIG. 6 is a top view of the socket of FIG. 1; and,
FIG. 7 is a bottom view of the socket of FIG. 1;
The broken lines of the socket in FIGS. 1-7 are illustrative of portions of the socket that form no part of the claimed design.

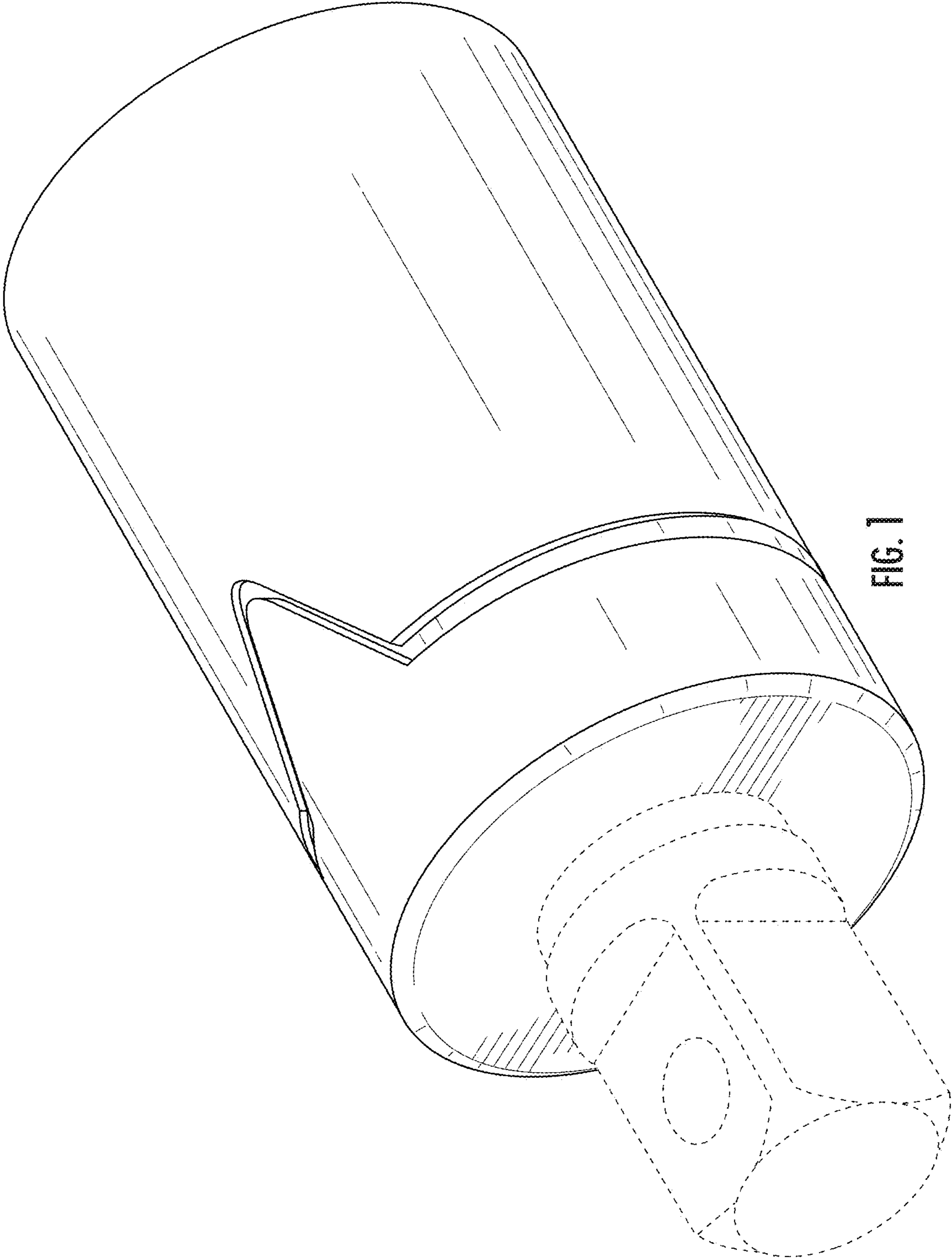
1 Claim, 6 Drawing Sheets

(56) **References Cited**

U.S. PATENT DOCUMENTS

D108,143 S * 1/1938 Mandl 81/121.1
2,961,905 A * 11/1960 Stumpf B25B 23/108
81/124.6
D246,415 S * 11/1977 Critcher D8/29
D359,669 S * 6/1995 Splingaire D8/29
D441,264 S * 5/2001 Bruns D8/29
D484,376 S * 12/2003 Cromer D8/29
D500,944 S * 1/2005 Dexter D8/29
D521,826 S * 5/2006 Hsieh D8/29
D525,839 S * 8/2006 Rauckman D8/29
D567,604 S * 4/2008 Yu D8/29
D567,605 S * 4/2008 Yu D8/29





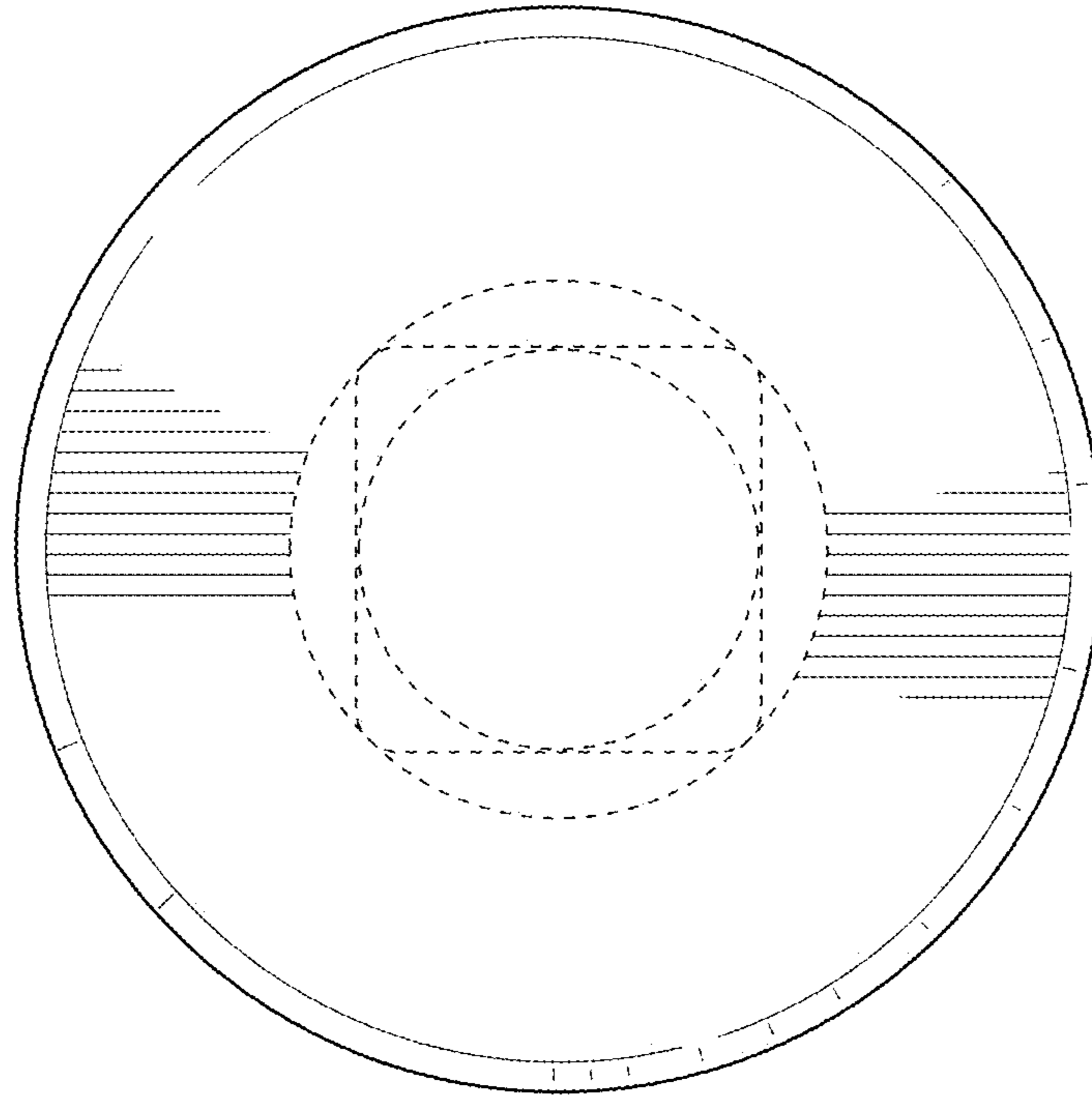


FIG. 2

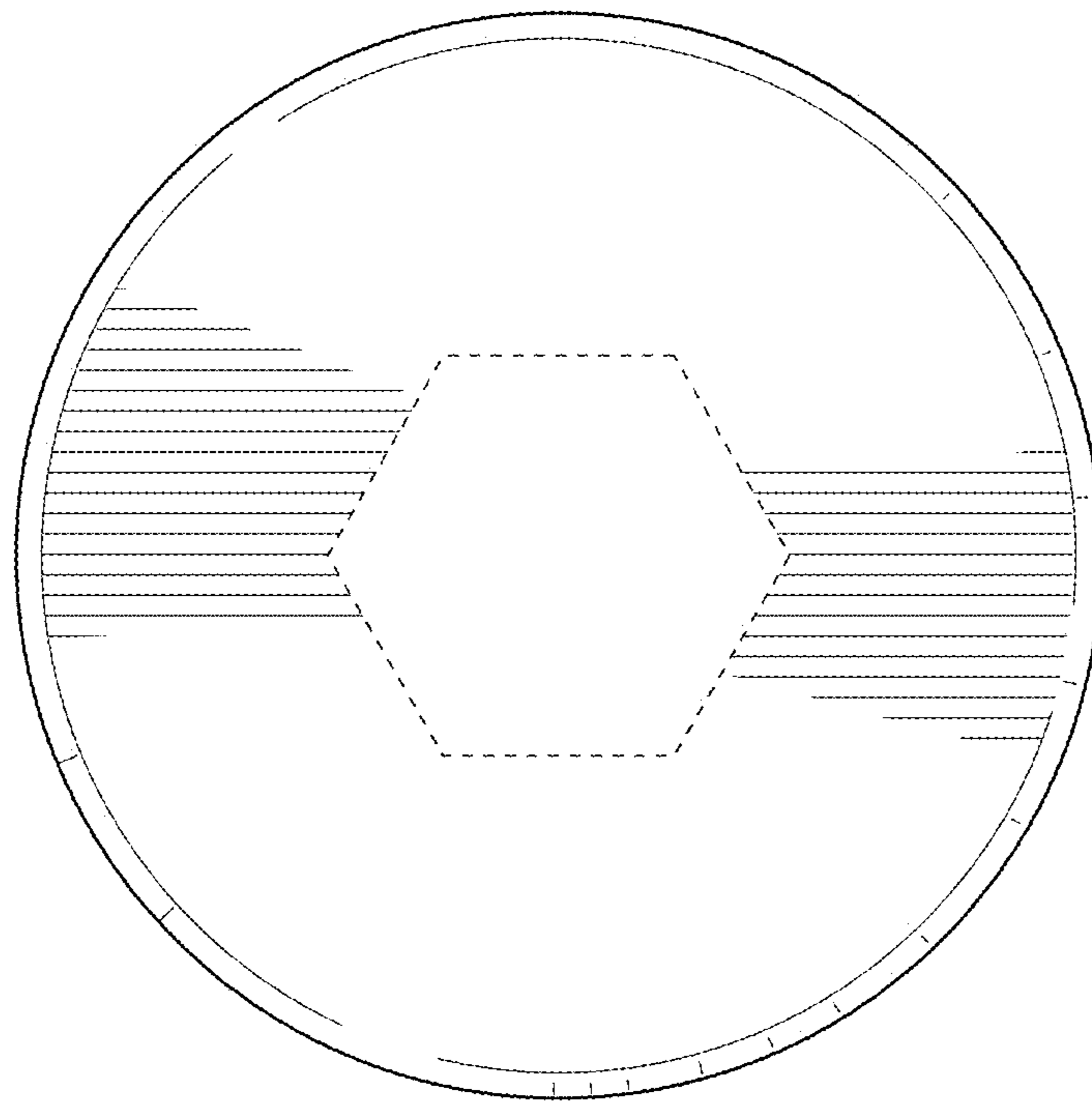


FIG. 3

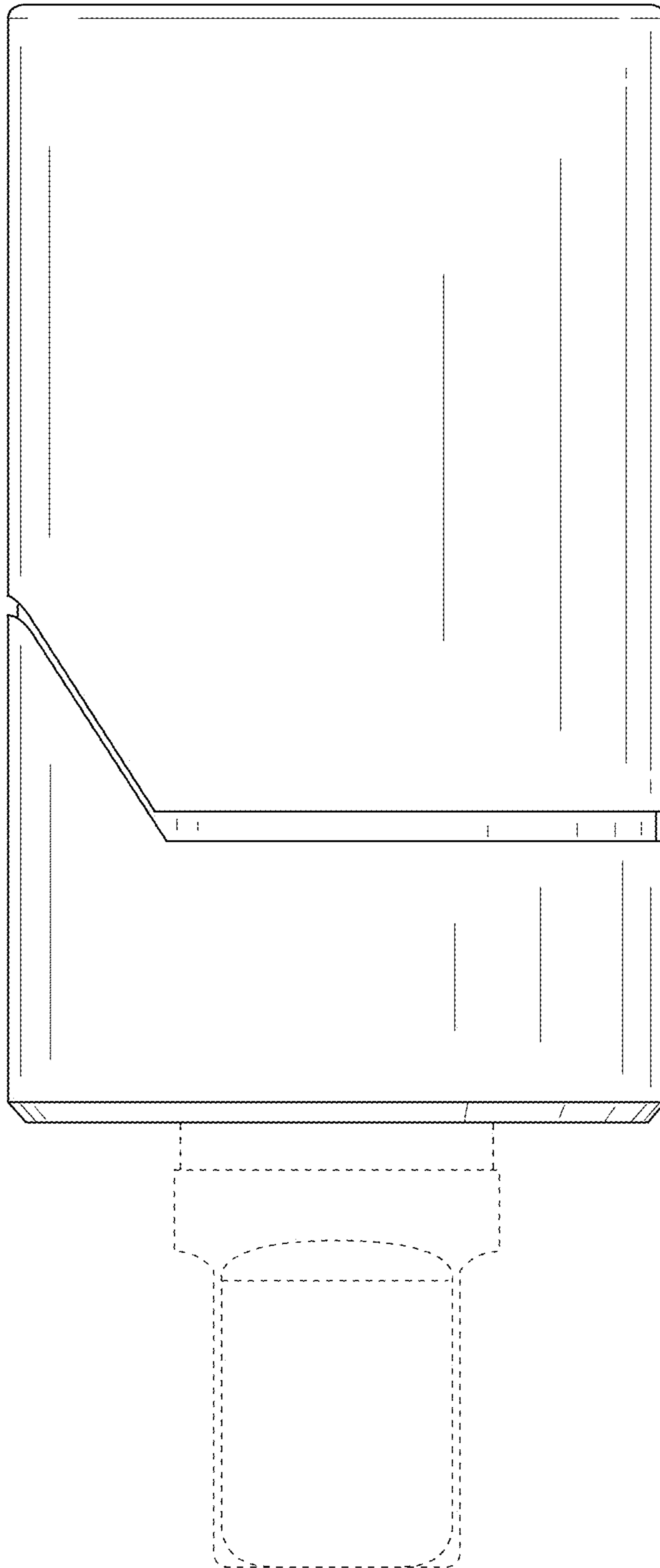


FIG. 4

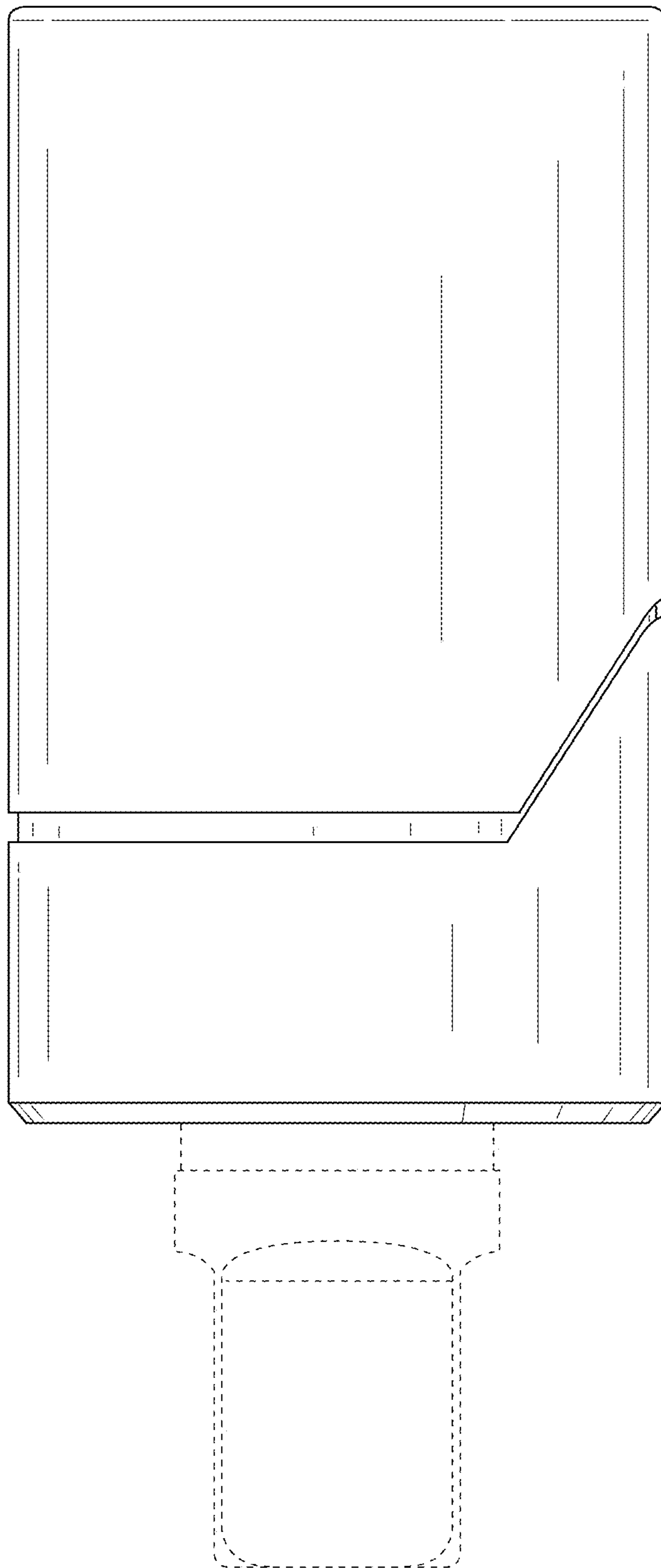


FIG. 5

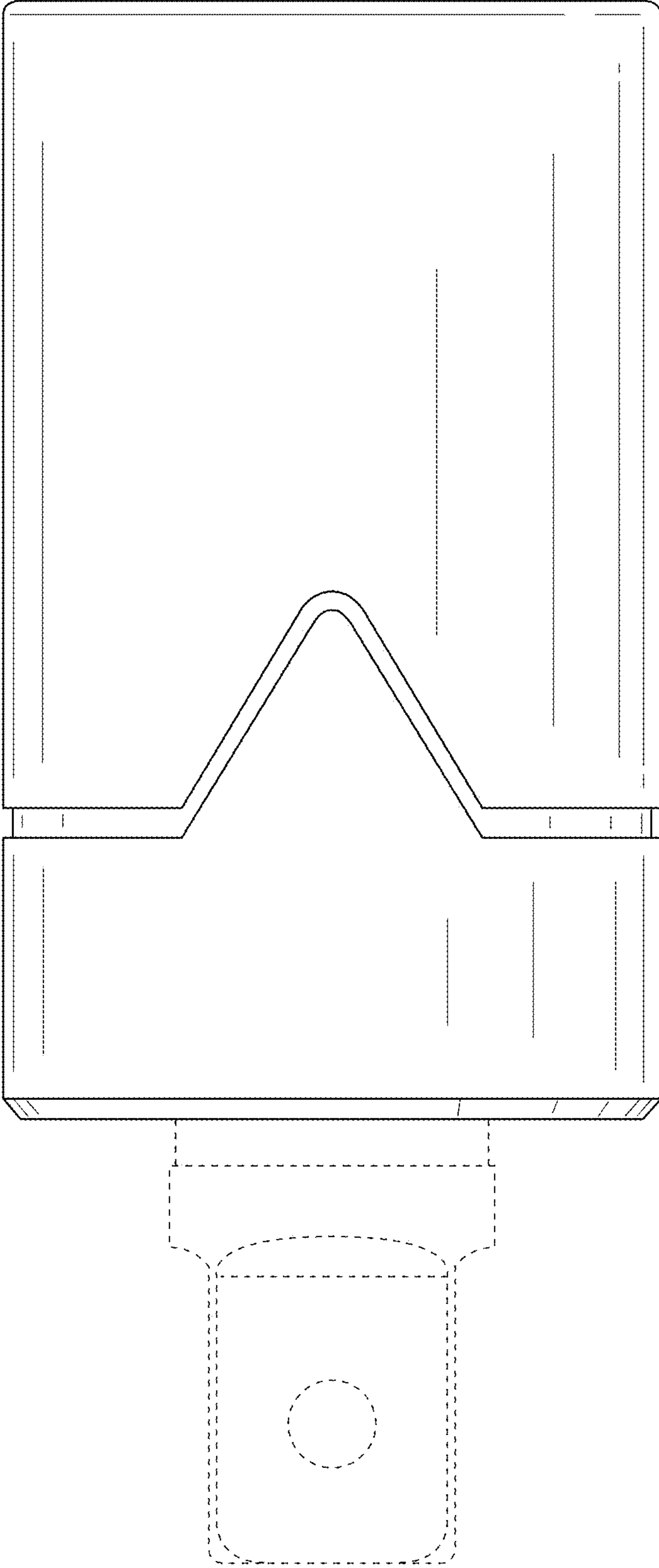


FIG. 6

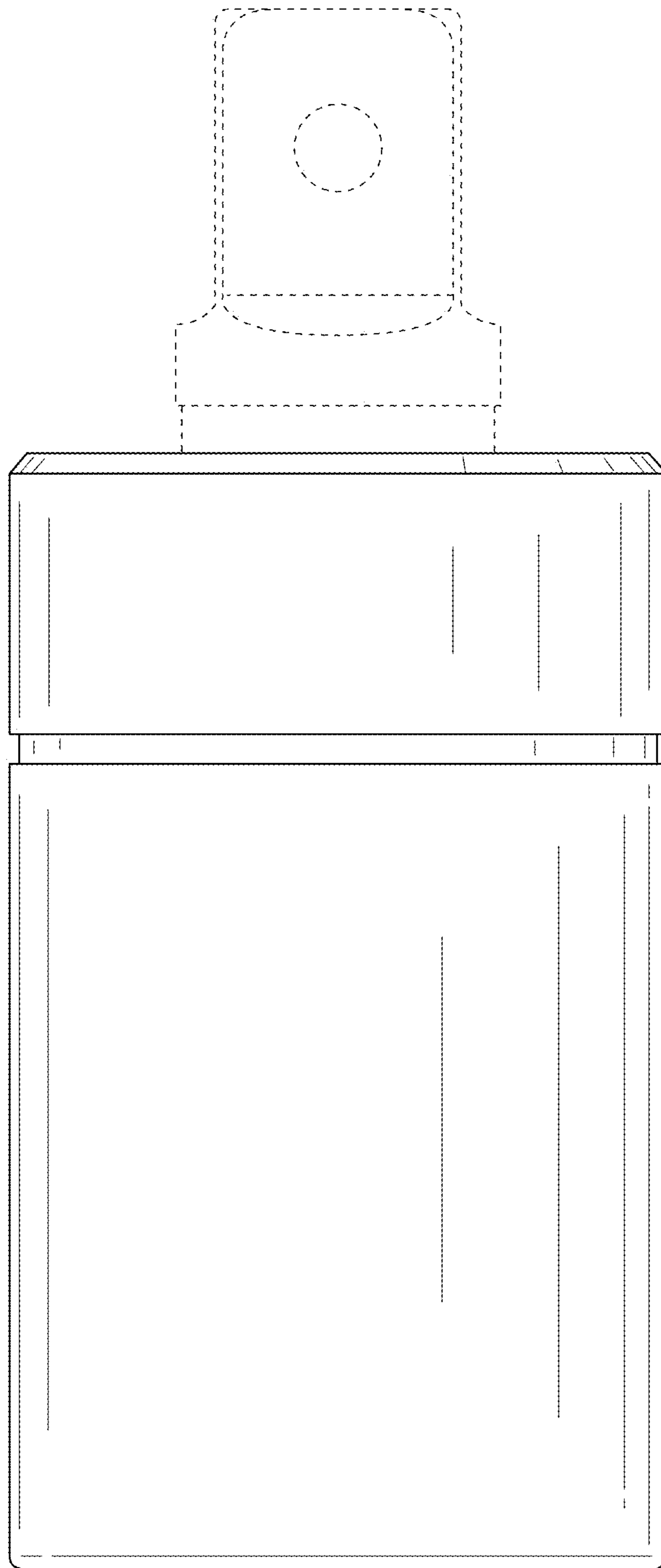


FIG. 7