



US00D971704S

(12) **United States Design Patent** (10) **Patent No.:** **US D971,704 S**  
**Wang** (45) **Date of Patent:** **\*\* Dec. 6, 2022**

(54) **GRASS TRIMMER HANDLE**  
(71) Applicant: **Wen-Chang Wang**, Tainan (TW)  
(72) Inventor: **Wen-Chang Wang**, Tainan (TW)  
(\*\*) Term: **15 Years**  
(21) Appl. No.: **29/628,252**  
(22) Filed: **Dec. 4, 2017**  
(51) **LOC (13) Cl.** ..... **08-03**  
(52) **U.S. Cl.**  
USPC ..... **D8/8**  
(58) **Field of Classification Search**  
USPC ..... D8/7, 8, 9; D15/14, 17; D12/178  
CPC ..... A01D 34/01; A01D 34/02; A01D 34/08;  
A01D 34/412; A01D 34/416; A01D  
34/84; A01D 34/90; A01D 34/824; A01G  
3/00; A01G 3/06; A01G 3/062; A01G  
3/067; A01G 3/085; A01G 3/088; B25F  
5/02; B25F 5/026  
See application file for complete search history.

(56) **References Cited**  
U.S. PATENT DOCUMENTS  
D290,365 S \* 6/1987 Hatano ..... D8/8  
4,848,846 A \* 7/1989 Yamada ..... A01D 34/90  
30/276  
5,031,395 A \* 7/1991 Ohkanda ..... A01G 3/053  
172/41  
D355,817 S \* 2/1995 Nakadachi ..... D8/8  
6,056,668 A \* 5/2000 Nagashima ..... A01G 3/062  
30/276  
D691,865 S \* 10/2013 Wang ..... D15/18  
2012/0180322 A1 \* 7/2012 Takeda ..... F01M 11/0004  
30/276  
2012/0246943 A1 \* 10/2012 Yuasa ..... A01D 34/905  
30/276  
2014/0013542 A1 \* 1/2014 Wang ..... A01D 34/824  
16/429  
2014/0096988 A1 \* 4/2014 Hirabayashi ..... A01D 34/90  
173/20

2014/0165521 A1 \* 6/2014 Morita ..... A01D 34/90  
56/10.1  
2014/0182143 A1 \* 7/2014 Morita ..... A01D 34/90  
30/276  
2014/0208598 A1 \* 7/2014 Morita ..... A01D 34/90  
30/276  
2014/0208599 A1 \* 7/2014 Nagahama ..... A01D 34/6806  
30/277.4  
2016/0219783 A1 \* 8/2016 Kitamura ..... A01D 34/4166  
2018/0092297 A1 \* 4/2018 Sunazuka ..... A01D 34/006

**FOREIGN PATENT DOCUMENTS**

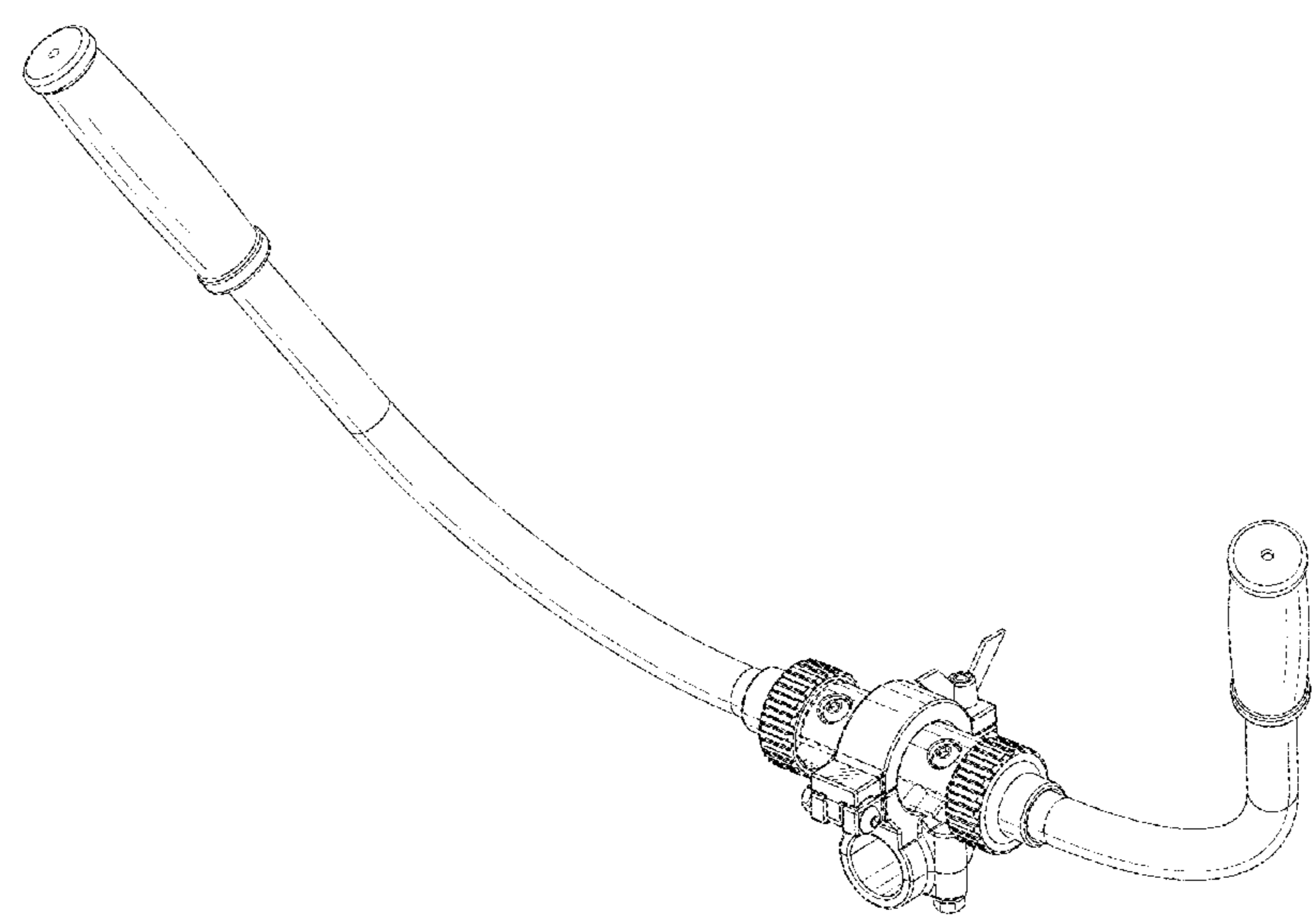
TW	584493	4/2004
TW	D132680	12/2009
TW	D132961	1/2010
TW	D153907	6/2013

\* cited by examiner  
*Primary Examiner* — Sheryl Lane  
*Assistant Examiner* — Ieisha N Price  
(74) *Attorney, Agent, or Firm* — Alan D. Kamrath; Karin L. Williams; Mayer & Williams PC

(57) **CLAIM**  
The ornamental design for a grass trimmer handle, as shown and described.

**DESCRIPTION**  
FIG. 1 is a perspective view of the grass trimmer handle showing my new design;  
FIG. 2 is a front elevational view thereof;  
FIG. 3 is a rear elevational view thereof;  
FIG. 4 is a left side elevational view thereof;  
FIG. 5 is a right side elevational view thereof;  
FIG. 6 is a top plan view thereof; and,  
FIG. 7 is a bottom plan view thereof.  
The broken lines in the drawings illustrate portions of the grass trimmer handle and form no part of the claimed design.

**1 Claim, 6 Drawing Sheets**



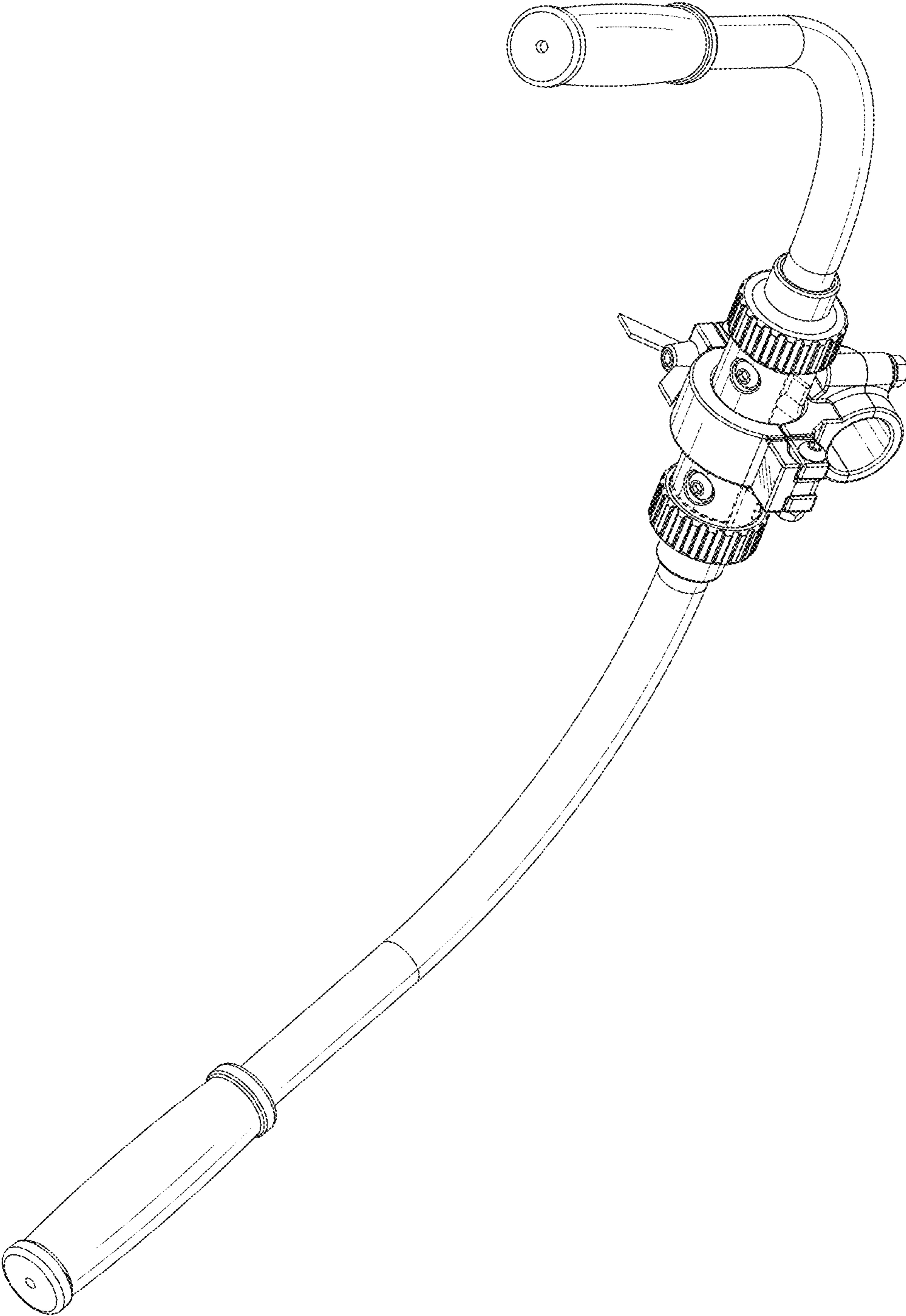


FIG. 1

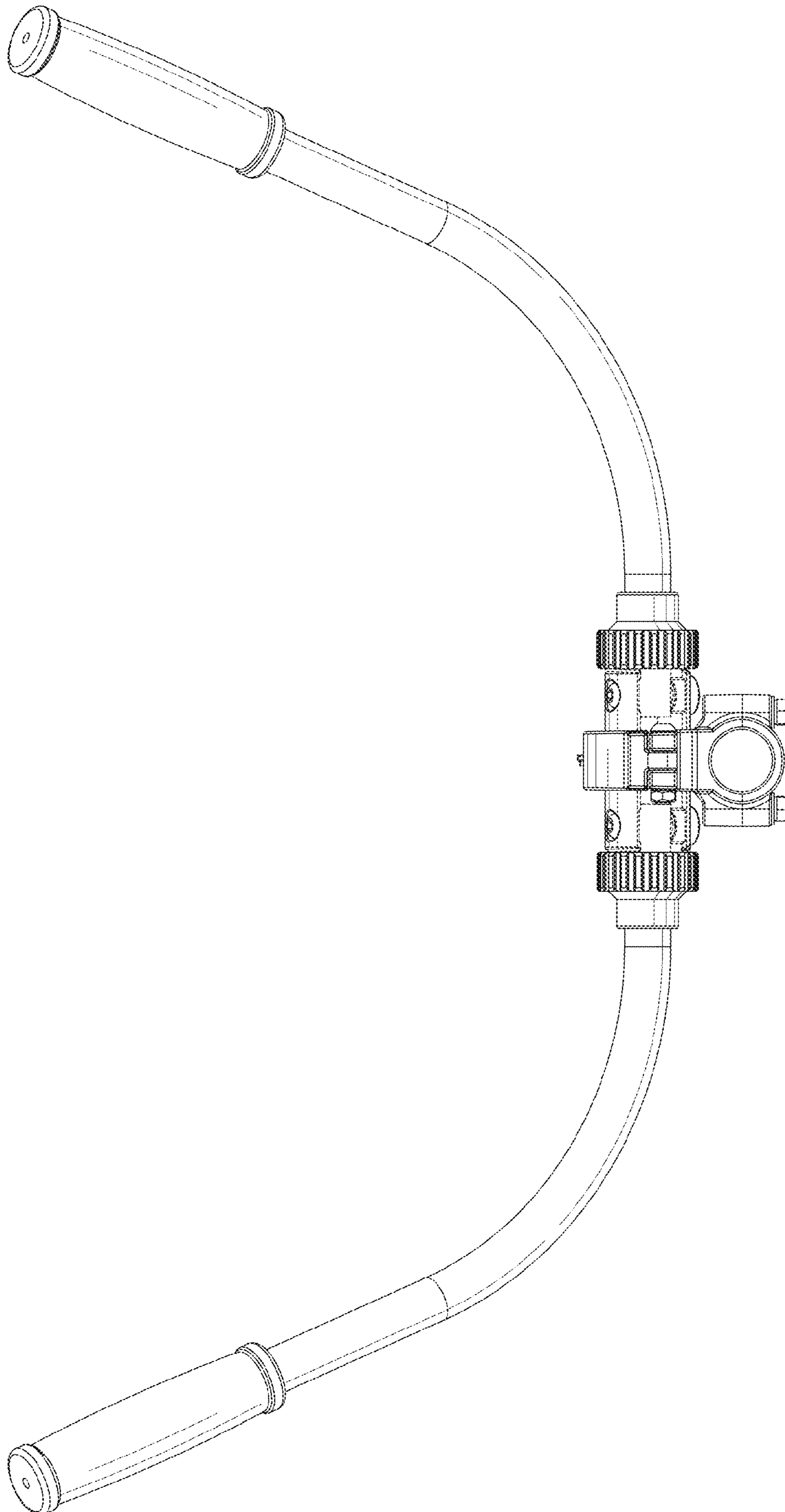


FIG. 2

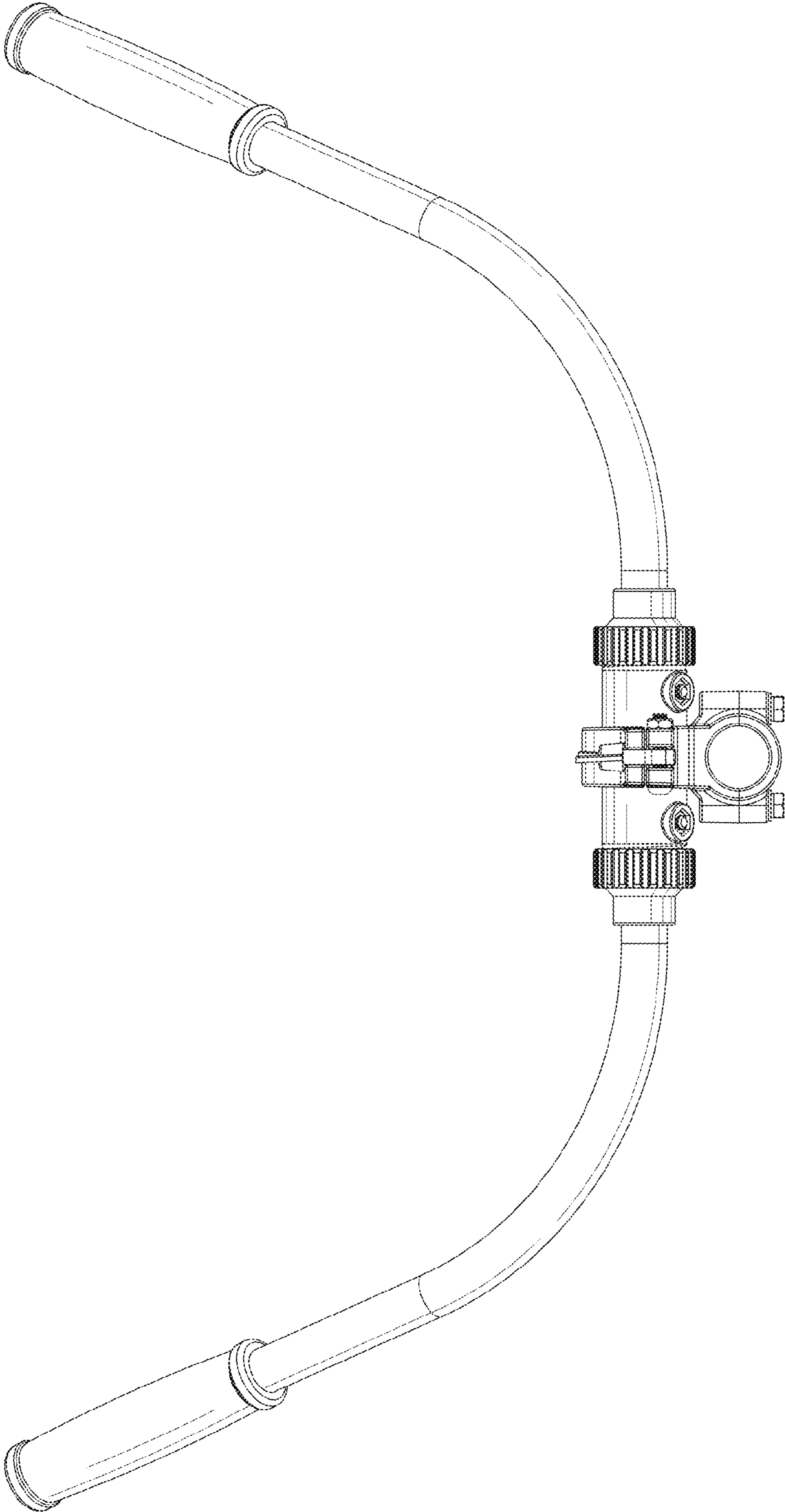


FIG. 3

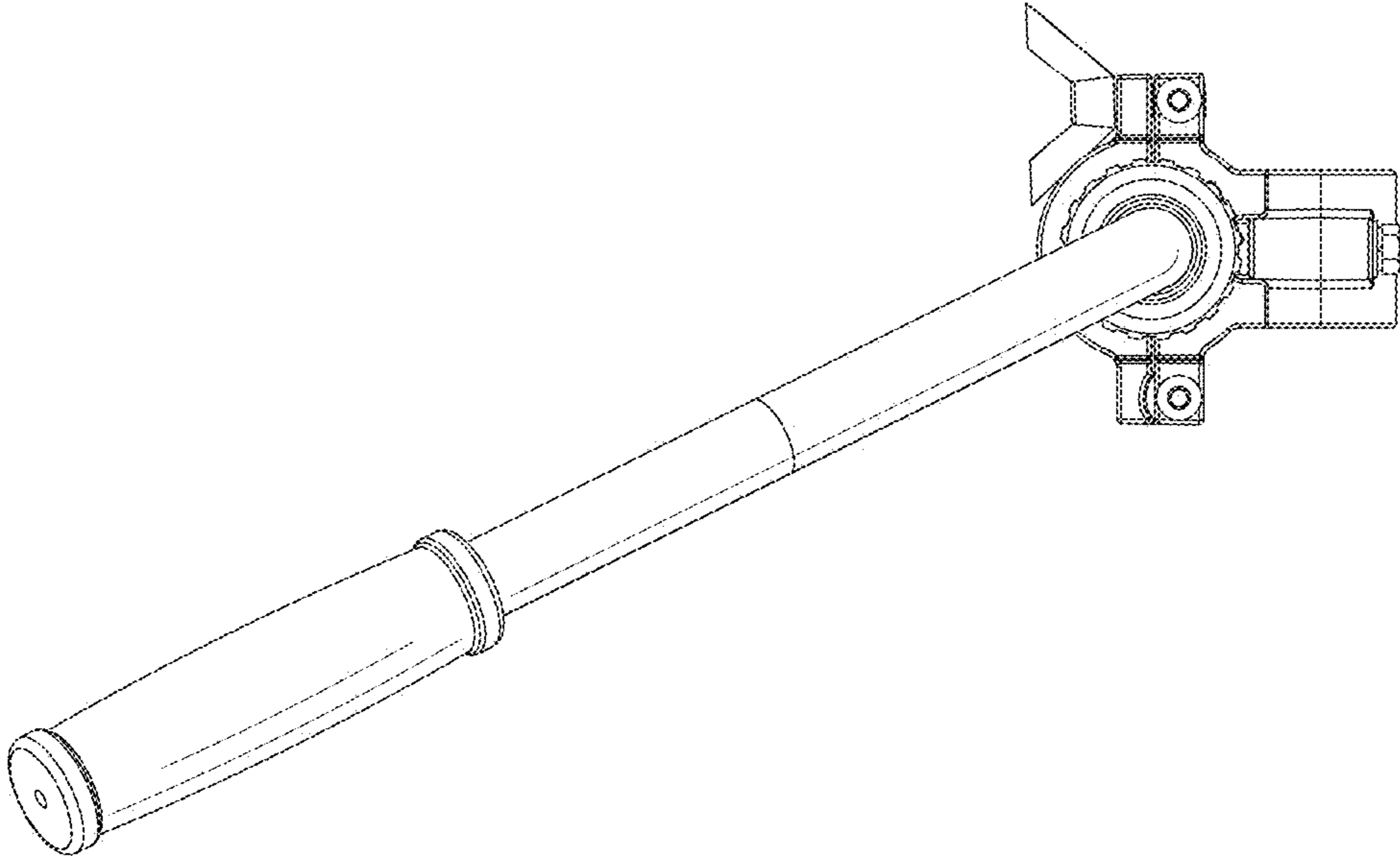


FIG. 5

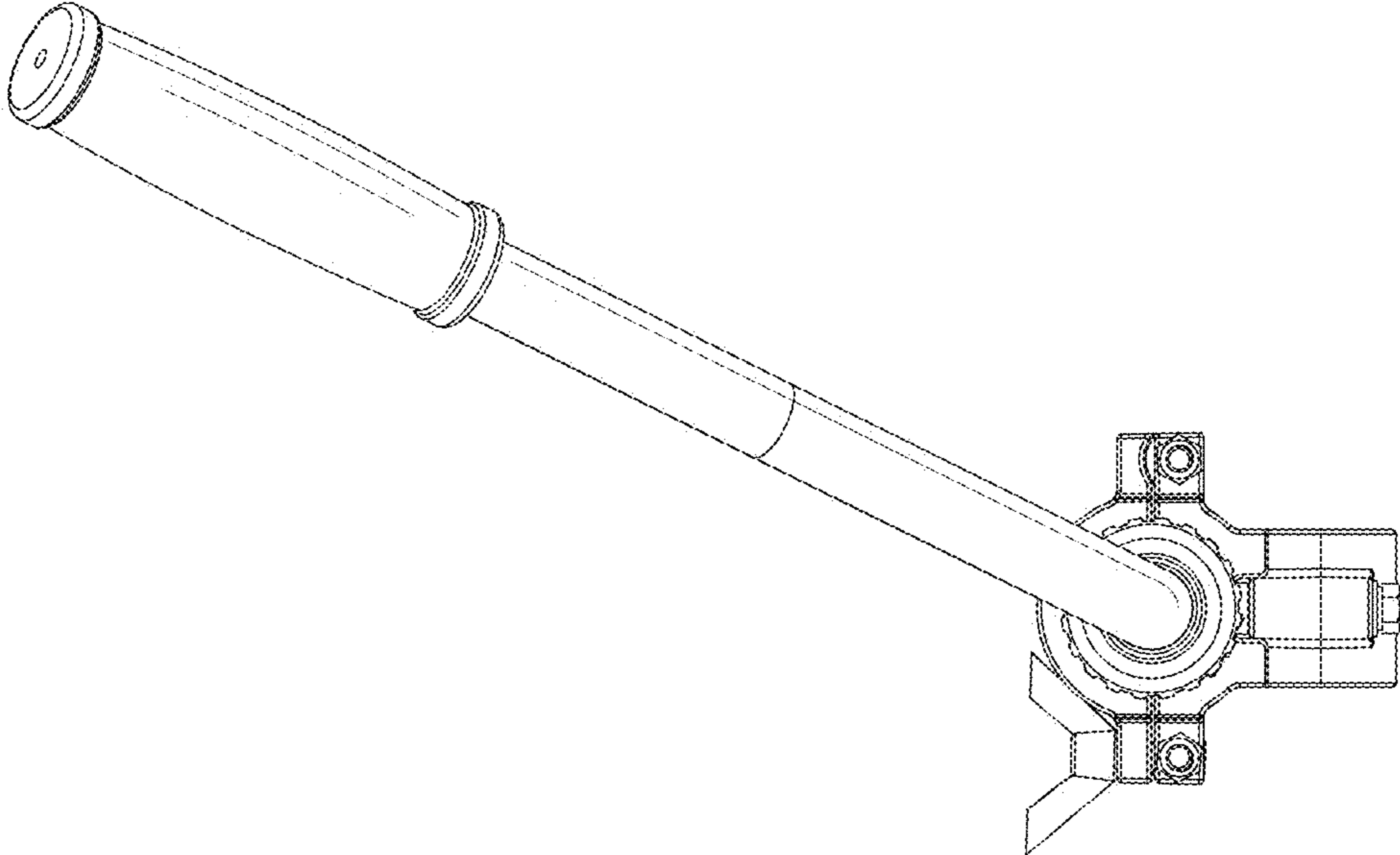


FIG. 4

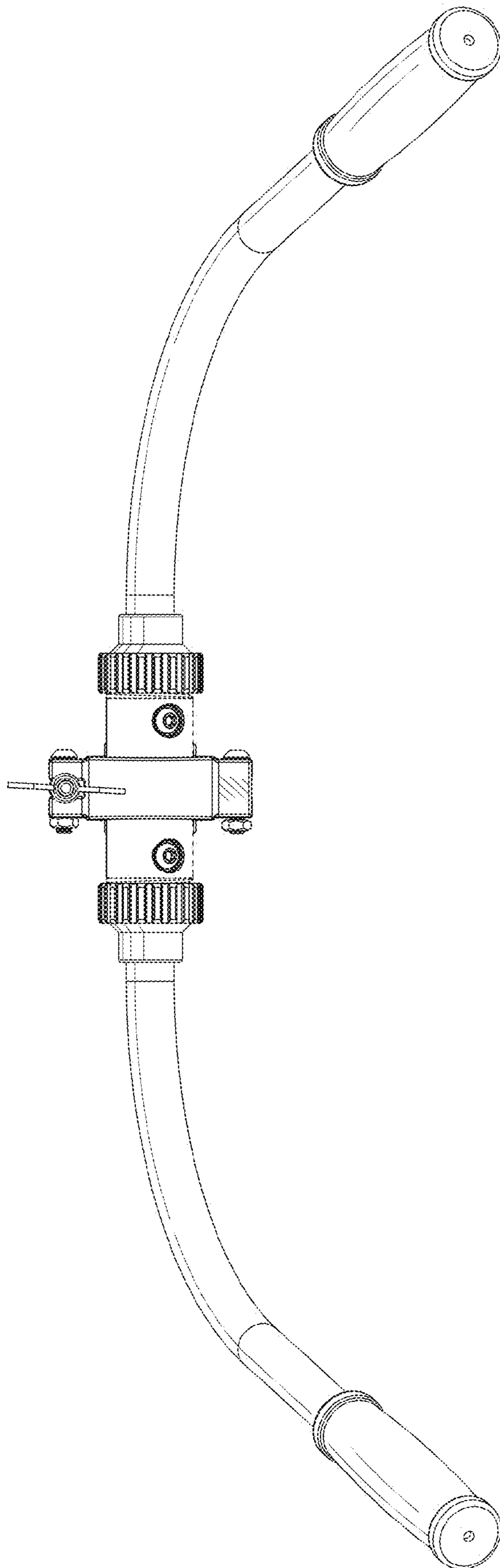


FIG. 6

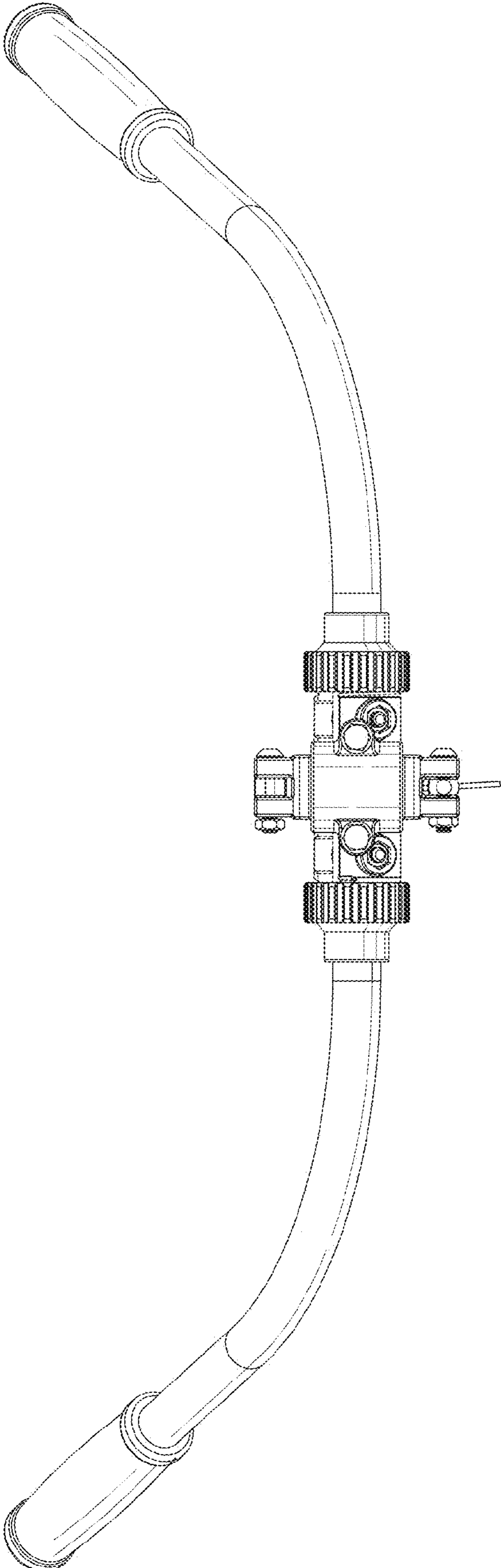


FIG. 7