

US00D971702S

(12) **United States Design Patent**
Jiang

(10) **Patent No.:** **US D971,702 S**
(45) **Date of Patent:** **** Dec. 6, 2022**

(54) **WOVEN BASKET**

DESCRIPTION

- (71) Applicant: **Lei Jiang**, Shandong (CN)
- (72) Inventor: **Lei Jiang**, Shandong (CN)
- (**) Term: **15 Years**
- (21) Appl. No.: **29/832,040**
- (22) Filed: **Mar. 24, 2022**
- (51) **LOC (13) Cl.** **07-02**
- (52) **U.S. Cl.**
USPC **D7/709**; D3/274; D3/276
- (58) **Field of Classification Search**
USPC D7/637, 641, 709; D3/273, 274, 276,
D3/283, 289, 302, 279
CPC A45C 11/00; A45C 2011/001; A45C 11/20
See application file for complete search history.

(56) **References Cited**

U.S. PATENT DOCUMENTS

D268,217 S	3/1983	Stevens	
D289,127 S *	4/1987	Blumenthal D7/709
D333,386 S *	2/1993	Kahl D3/288
D366,362 S	1/1996	Napier	
D469,610 S	2/2003	Corp et al.	
D504,566 S *	5/2005	Guy D3/277

(Continued)

OTHER PUBLICATIONS

Amazon, "STBoo Wicker Picnic Basket for 2 . . .", First on sale Jan. 12, 2022. (<https://www.amazon.com/dp/B09Q8HBXGJ>) (Year: 2022).*

(Continued)

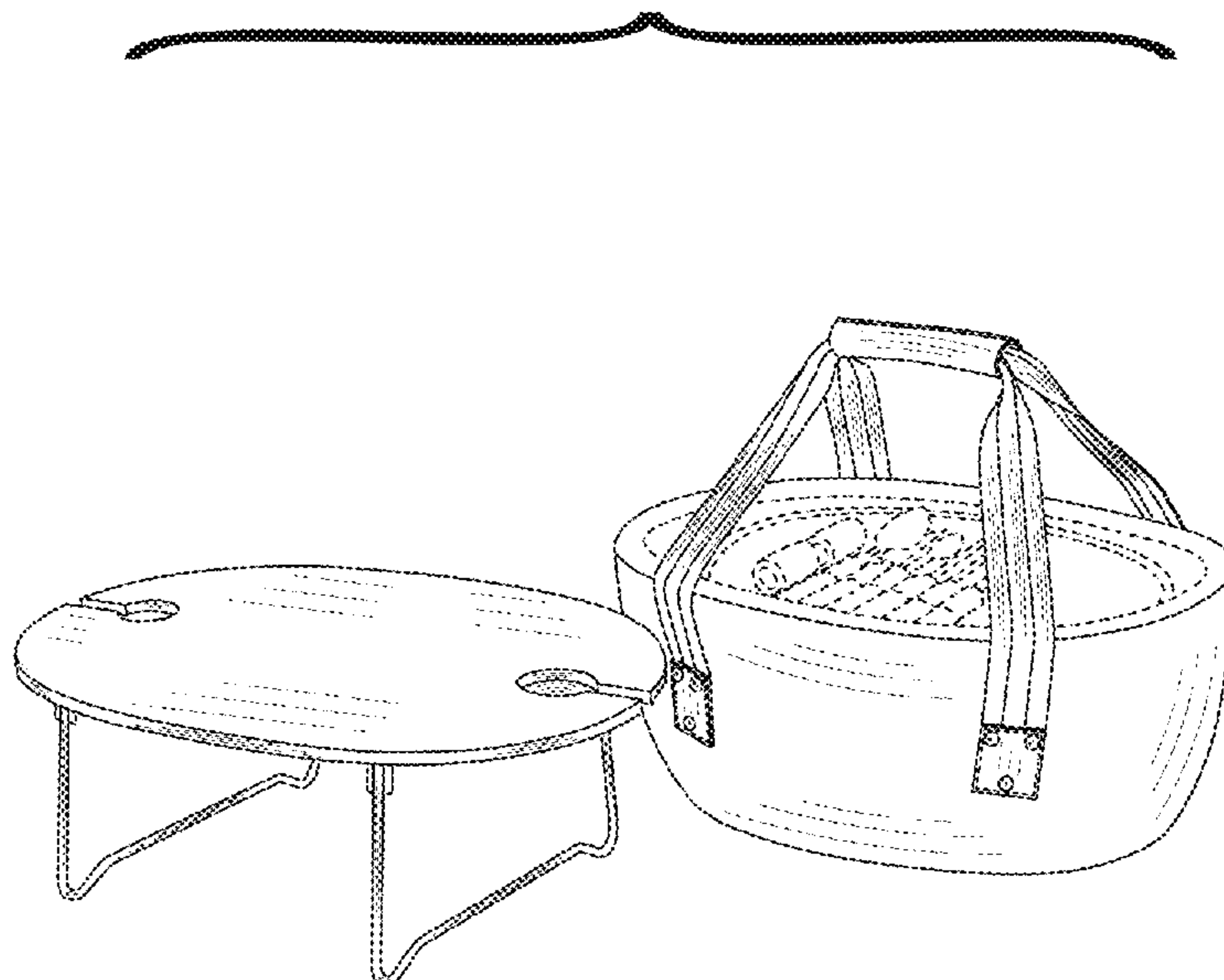
Primary Examiner — April Rivas

(57) **CLAIM**

The ornamental design for a woven basket, as shown and described.

FIG. 1 is a perspective view of a woven basket showing embodiment 1 of my new design.
 FIG. 2 is a front elevation view of a woven basket showing embodiment 1.
 FIG. 3 is a rear elevation view of a woven basket showing embodiment 1.
 FIG. 4 is a left side elevation view of a woven basket showing embodiment 1.
 FIG. 5 is a right side elevation view of a woven basket showing embodiment 1.
 FIG. 6 is a top view of a woven basket showing embodiment 1.
 FIG. 7 is a bottom view of a woven basket showing embodiment 1.
 FIG. 8 is a perspective view of a woven basket showing embodiment 1, shown in an open state.
 FIG. 9 is a perspective view of a woven basket showing embodiment 2 of my new design.
 FIG. 10 is a front elevation view of a woven basket showing embodiment 2.
 FIG. 11 is a rear elevation view of a woven basket showing embodiment 2.
 FIG. 12 is a left side elevation view of a woven basket showing embodiment 2.
 FIG. 13 is a right side elevation view of a woven basket showing embodiment 2.
 FIG. 14 is a top view of a woven basket showing embodiment 2.
 FIG. 15 is a bottom view of a woven basket showing embodiment 2; and,
 FIG. 16 is a perspective view of a woven basket showing embodiment 2, shown in an open state.
 Any shading and cross-hatching are not features of the design but are utilized to illustrate the surface contours of the woven basket design in the drawings.
 The broken lines in the drawings depict portions of the woven basket that form no part of the claimed designs.

1 Claim, 16 Drawing Sheets



(56)

References Cited

U.S. PATENT DOCUMENTS

D505,843 S * 6/2005 Krieger D7/709
D642,870 S * 8/2011 Whitlock D3/289
D719,733 S 12/2014 Liu
D721,494 S 1/2015 Liu
D724,321 S 3/2015 Liu
D962,021 S * 8/2022 Guy D7/709

OTHER PUBLICATIONS

Amazon, "STBoo Wicker Picnic Basket for 4 . . .", First on sale Jun. 30, 2021. (<https://www.amazon.com/dp/B0989F7WP7>) (Year: 2021).*

Amazon, "Foldable Picnic Basket for 2 or 4 . . .", First on sale Jul. 21, 2022. (<https://www.amazon.com/dp/B09X1MCGPT/>) (Year: 2022).*

* cited by examiner

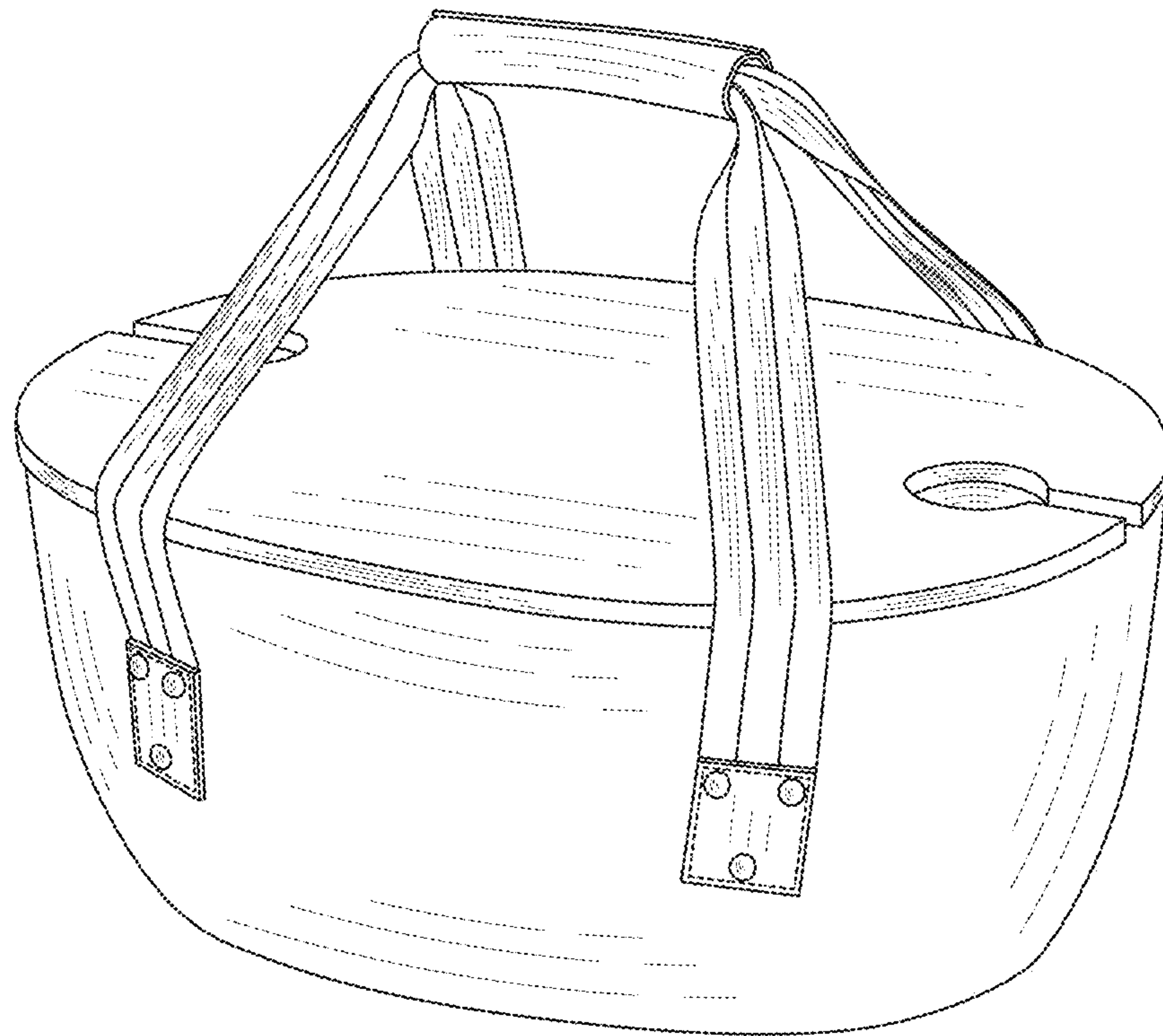


FIG. 1

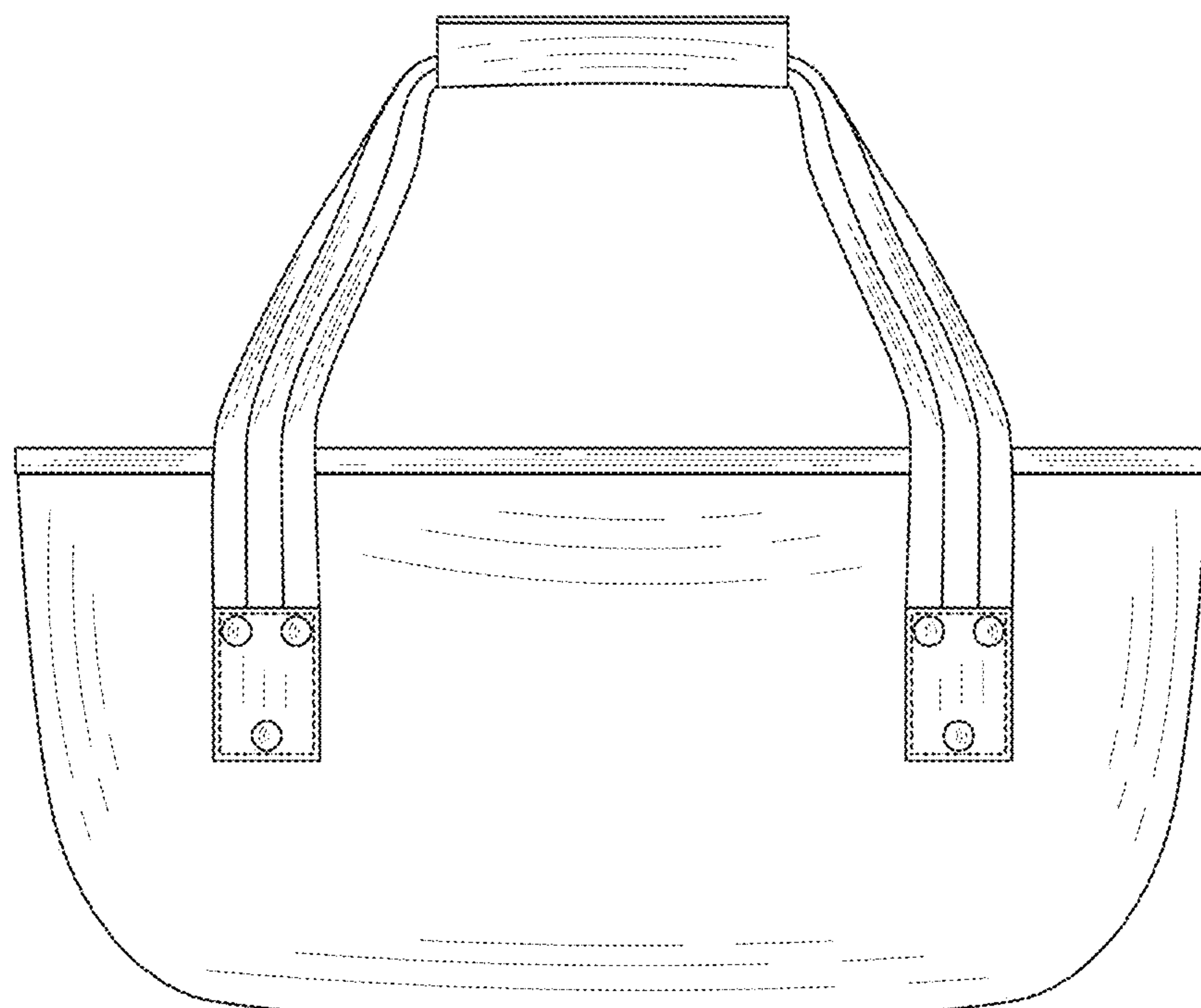


FIG. 2

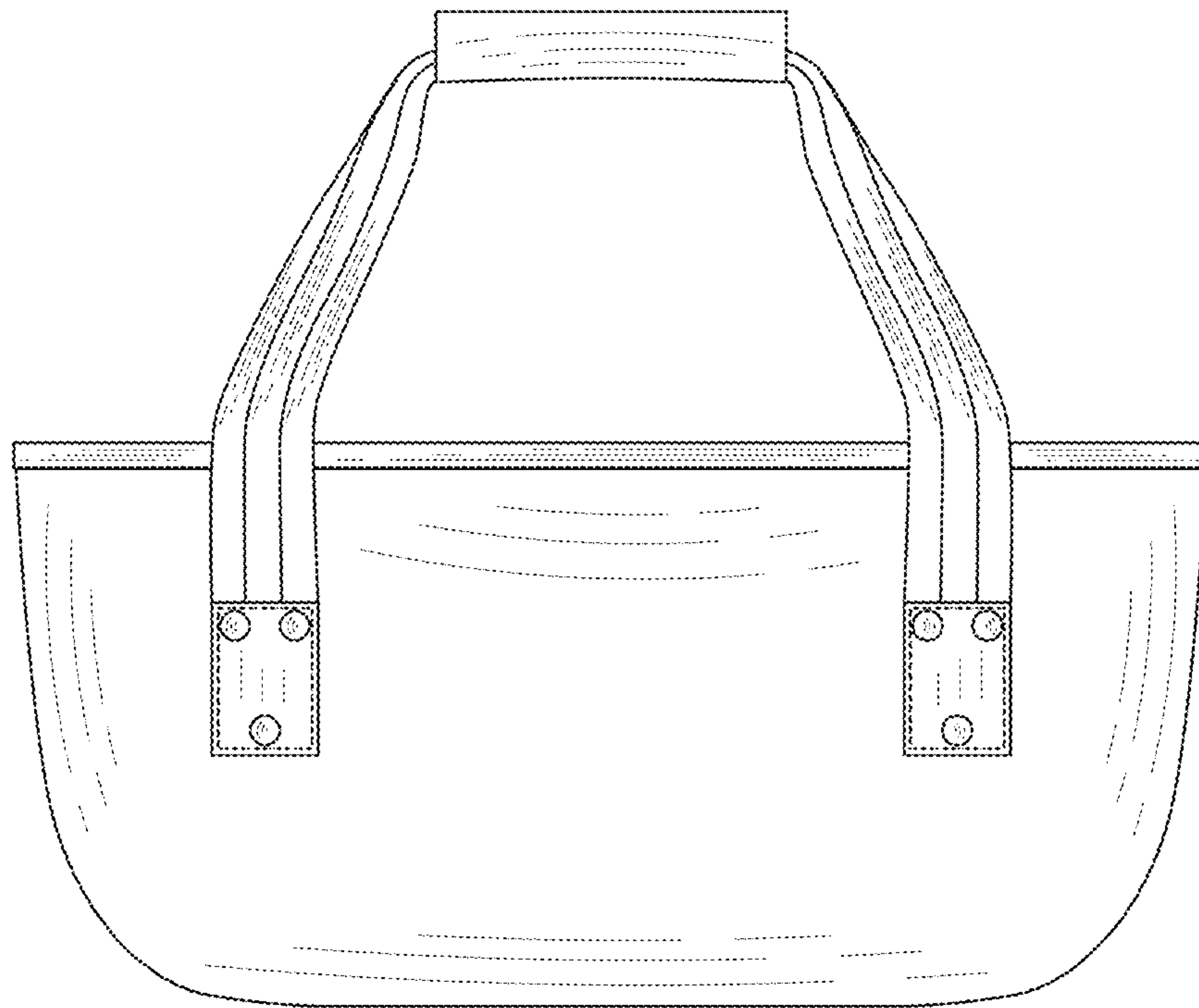


FIG. 3

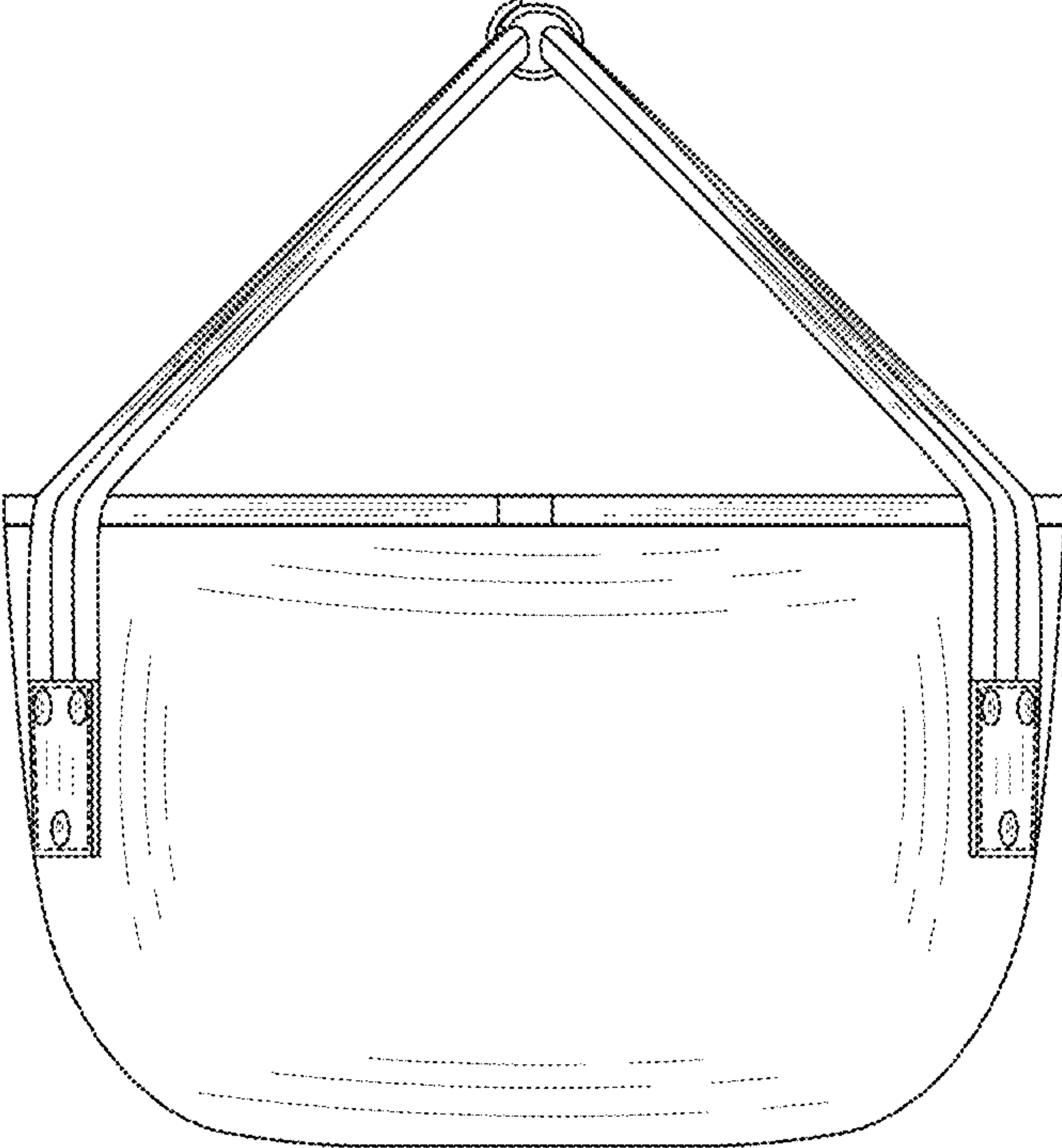


FIG. 4

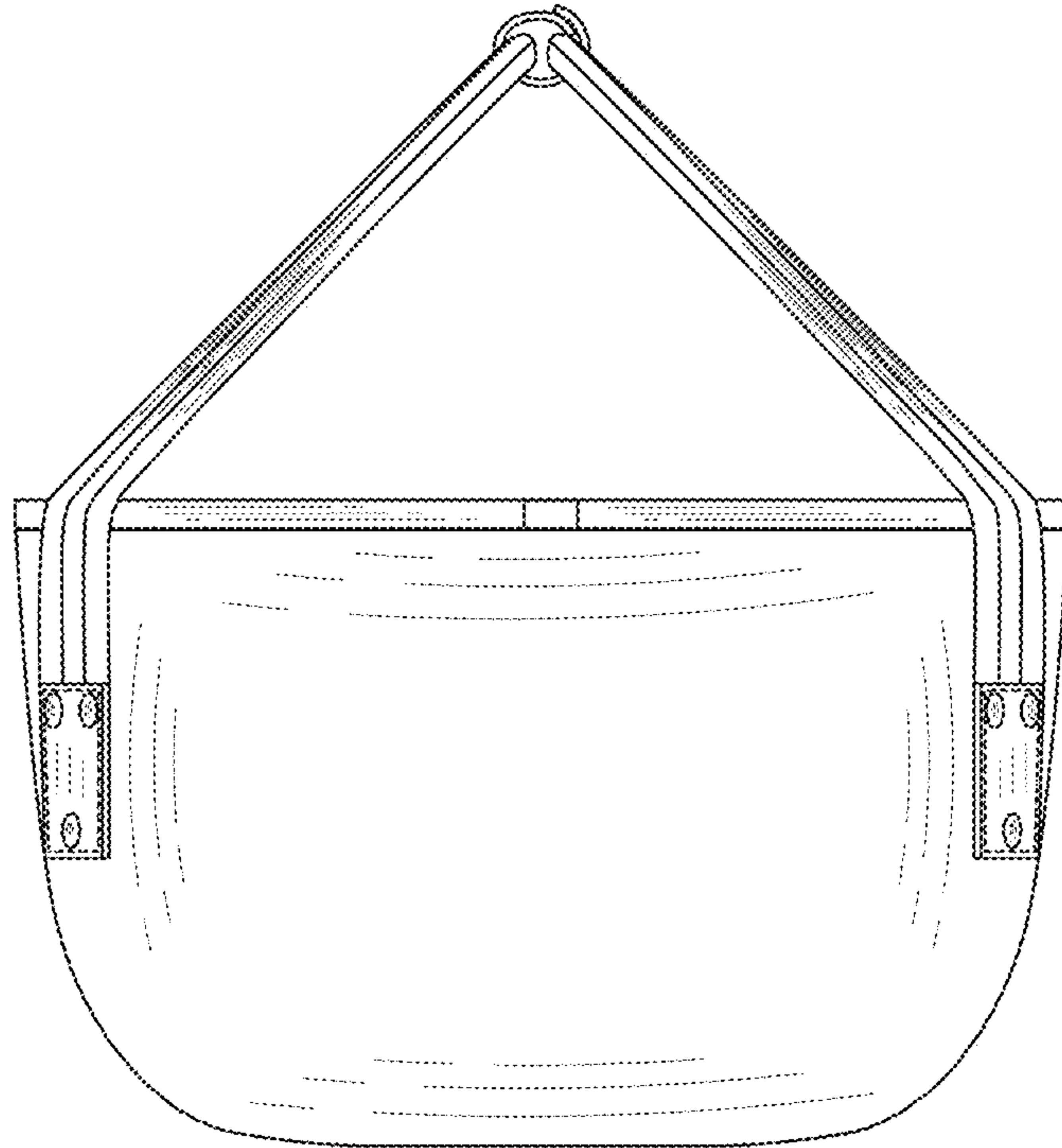


FIG. 5

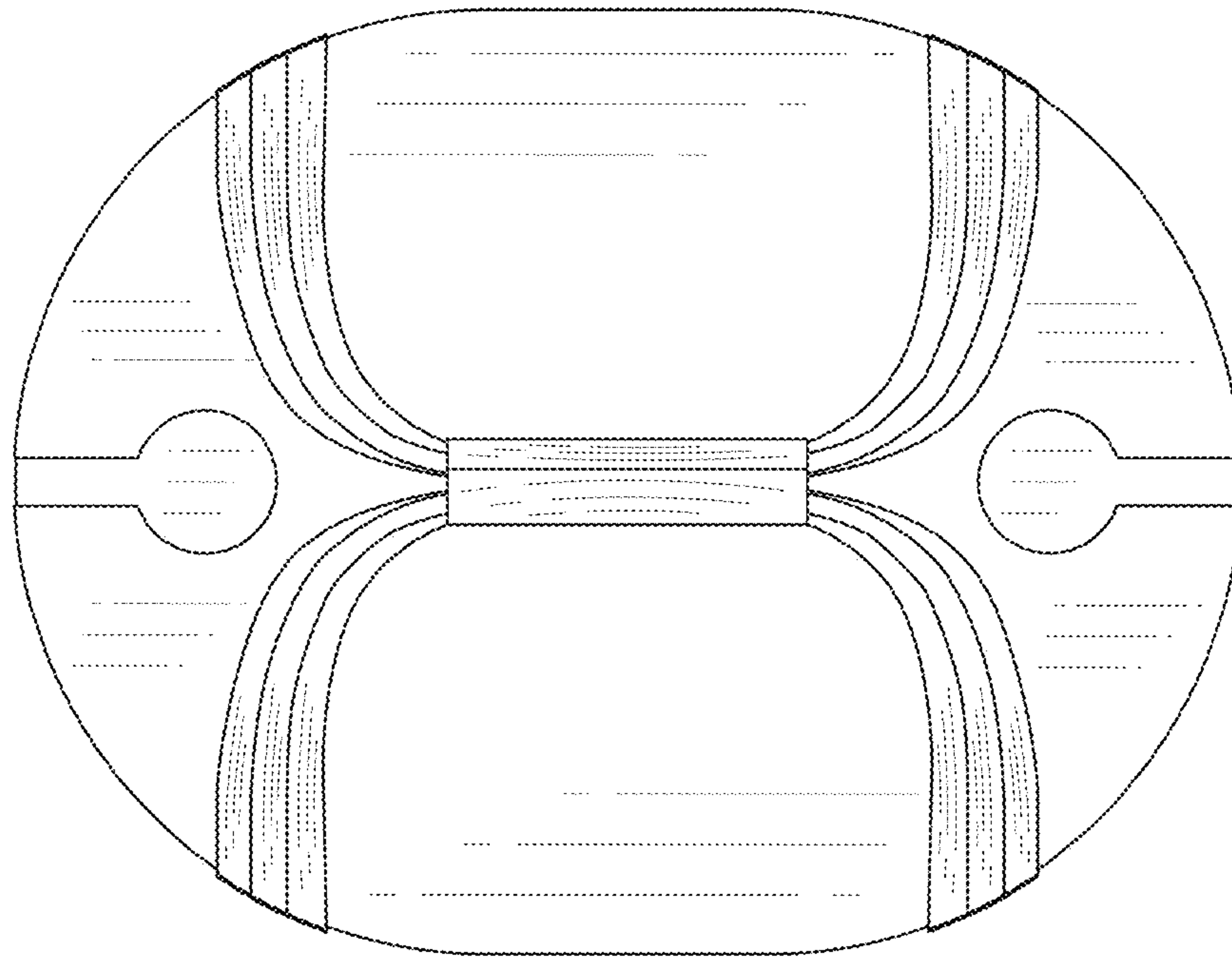


FIG. 6

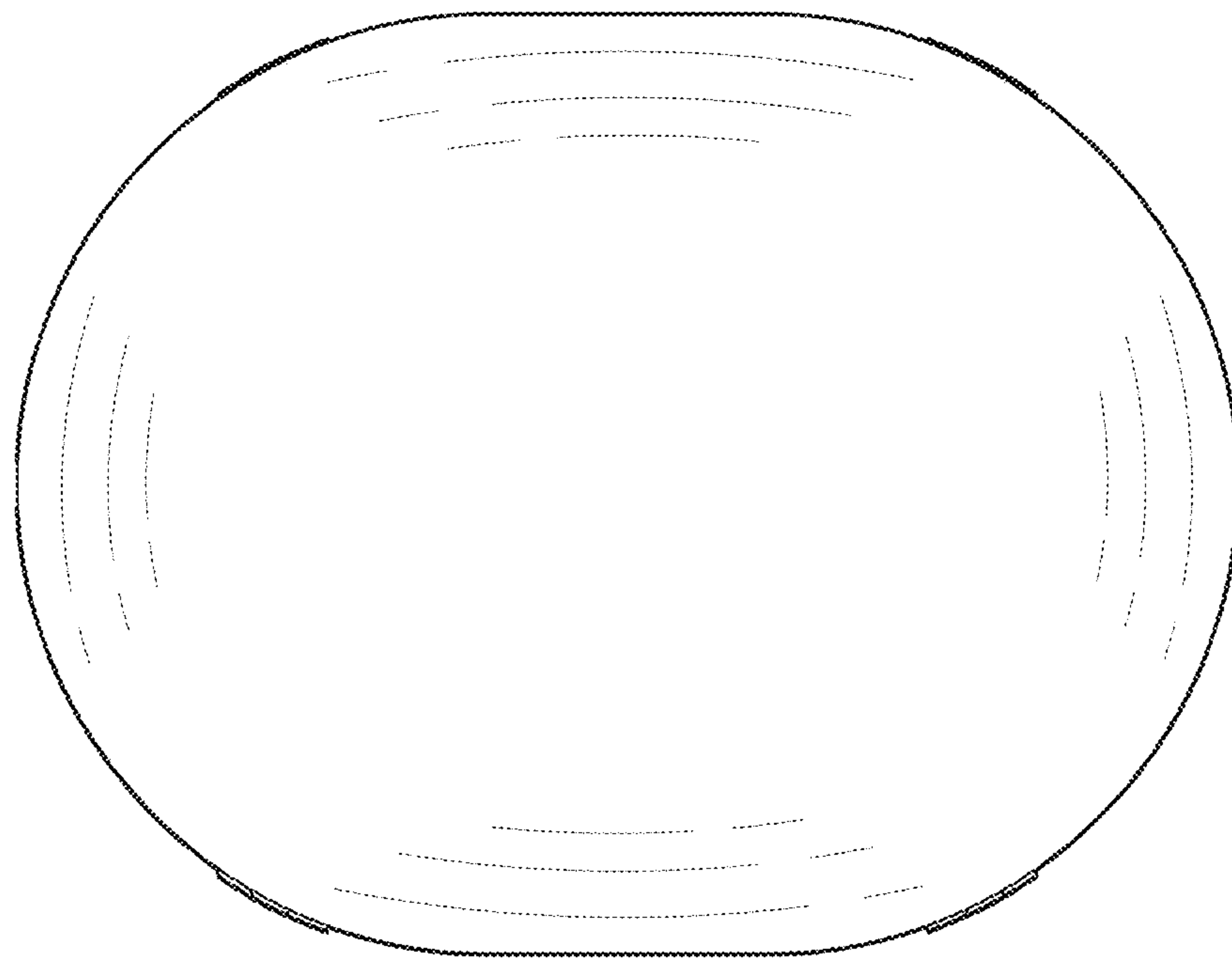


FIG. 7

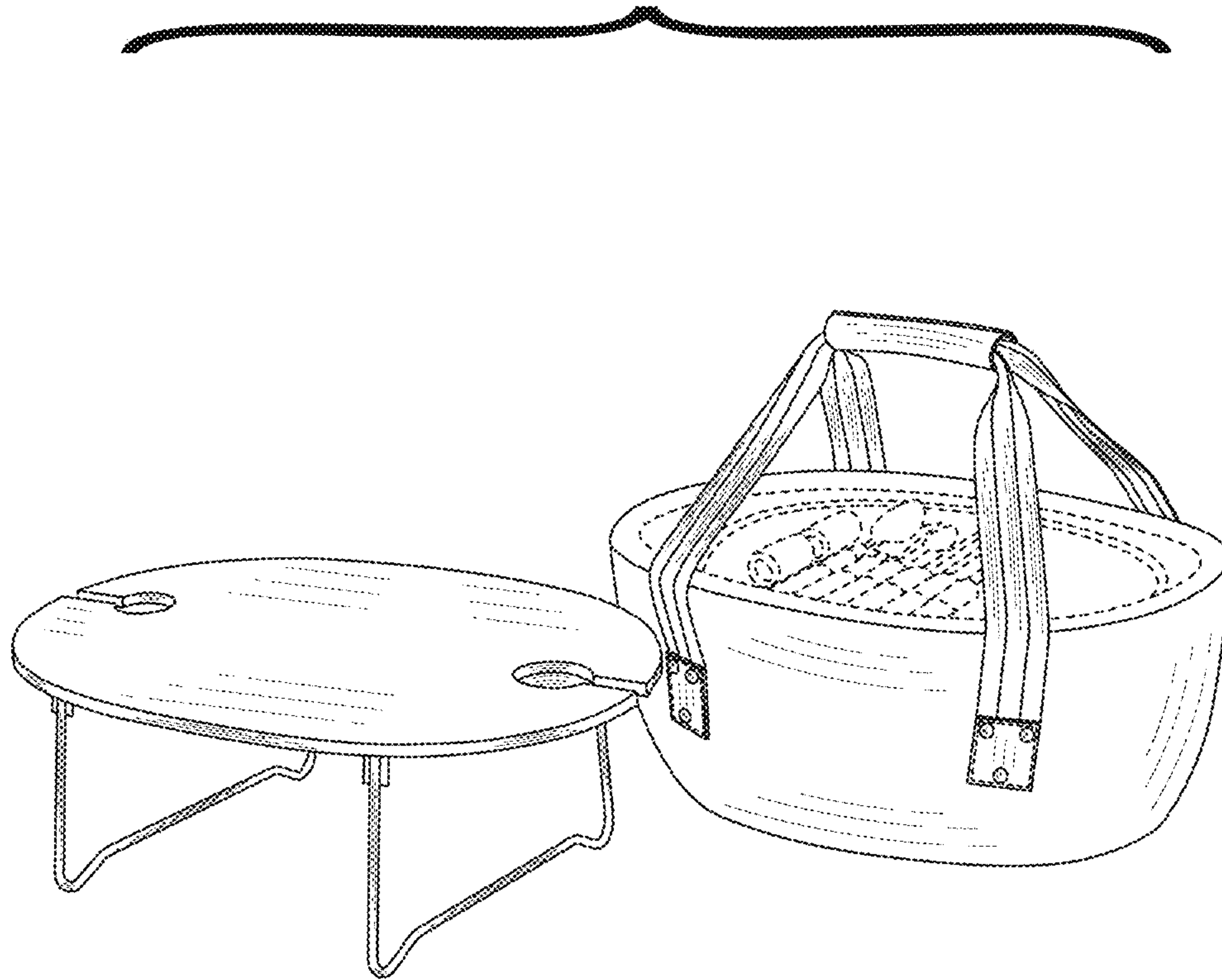


FIG. 8

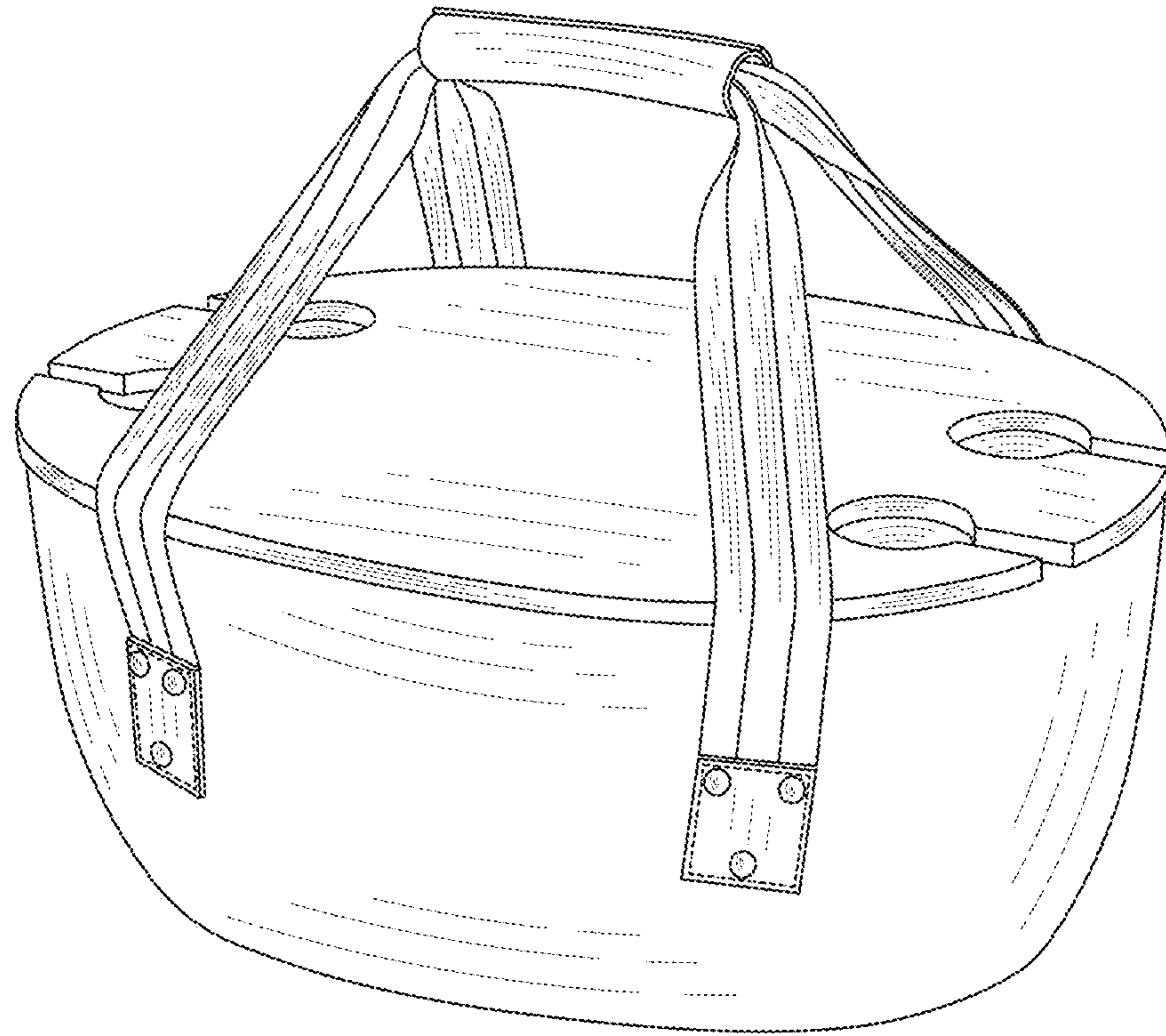


FIG. 9

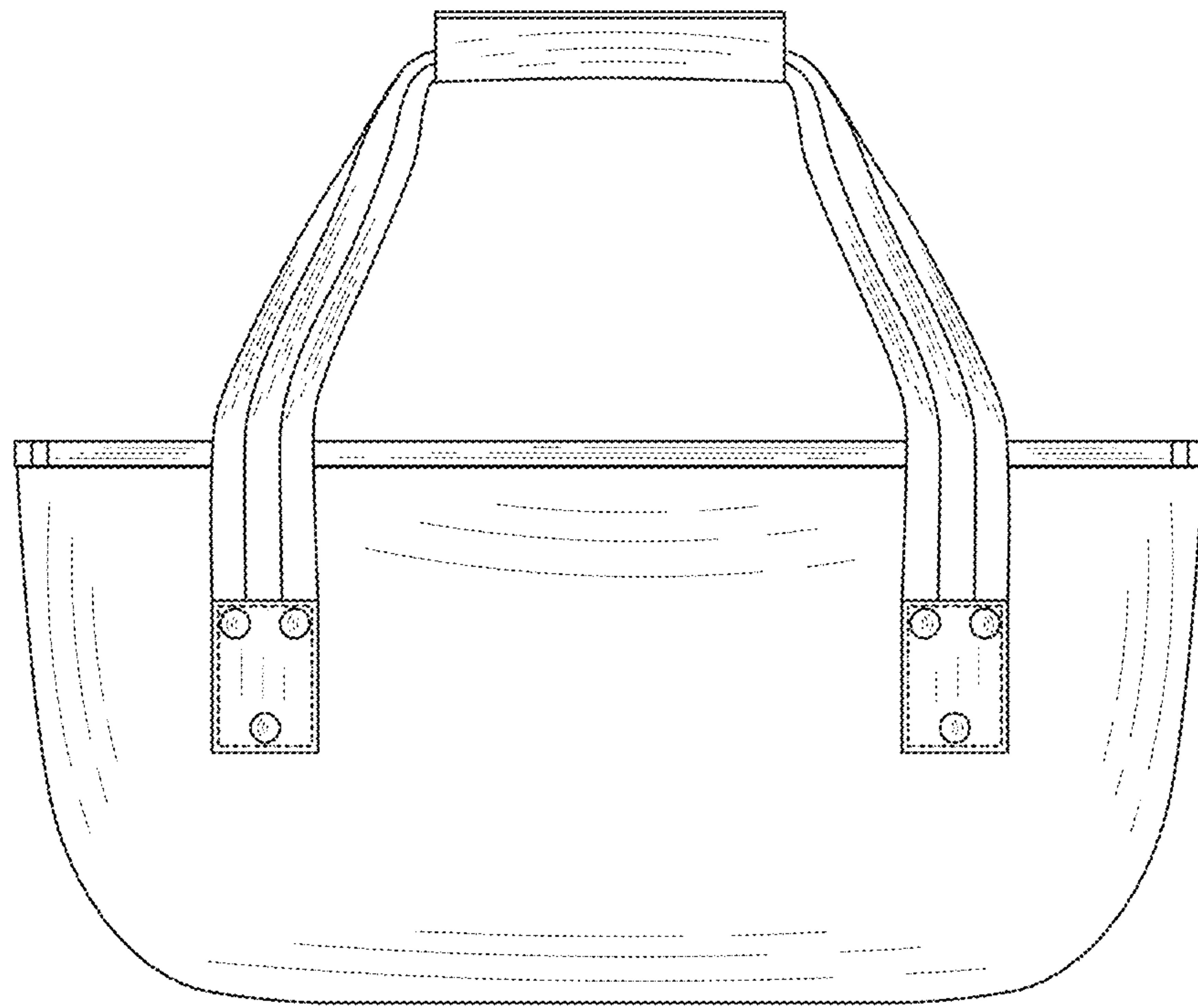


FIG. 10

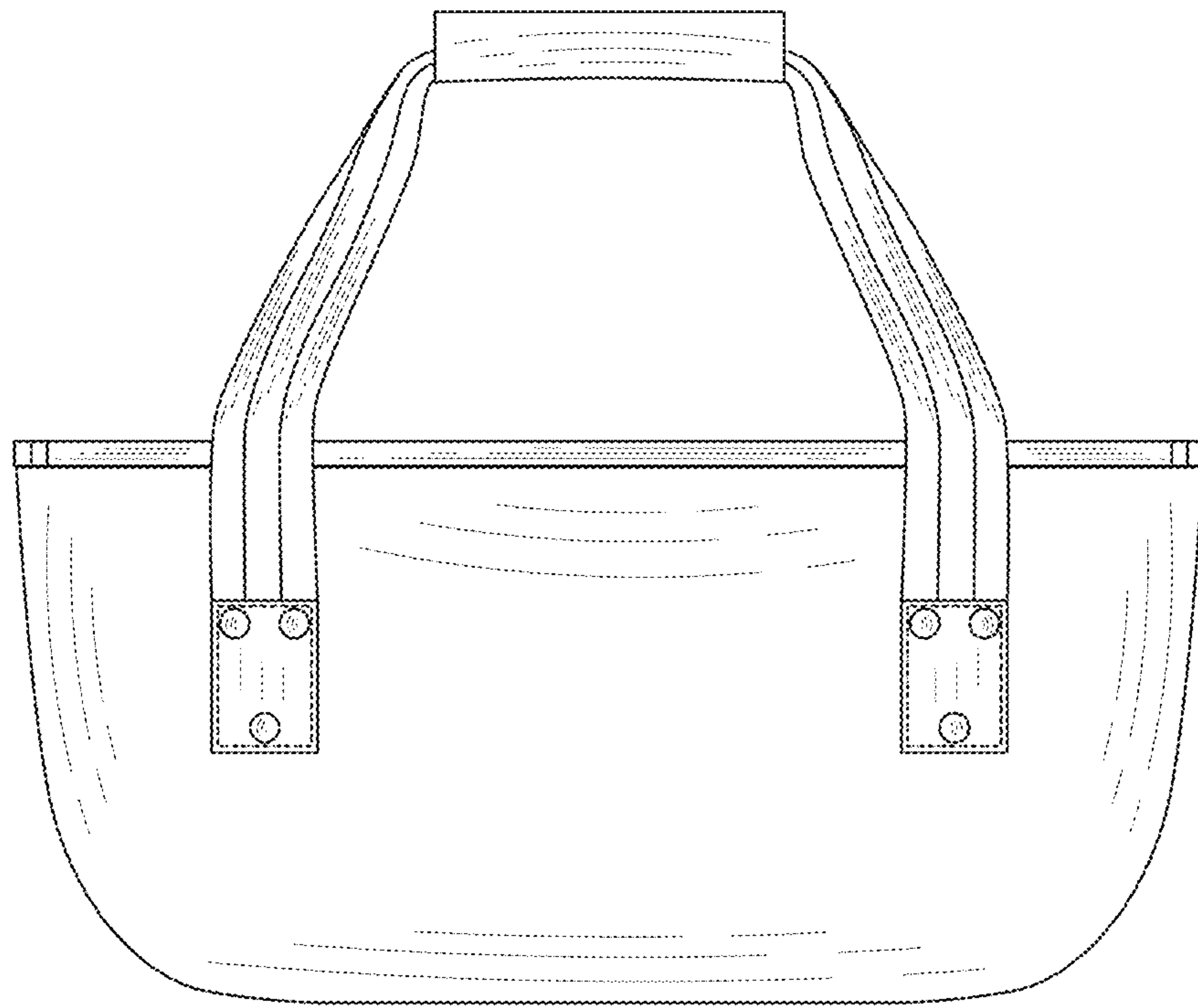


FIG. 11

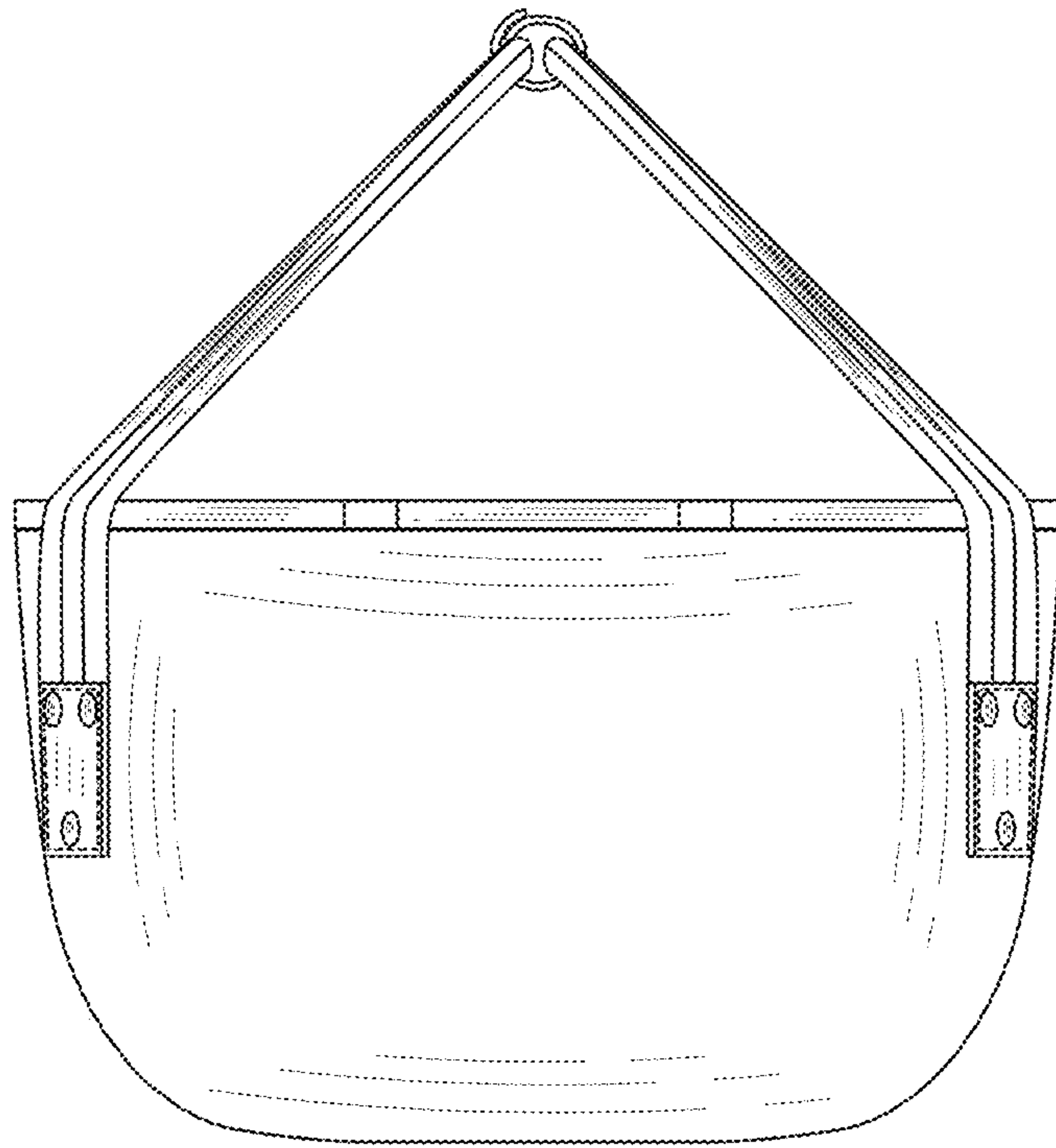


FIG. 12

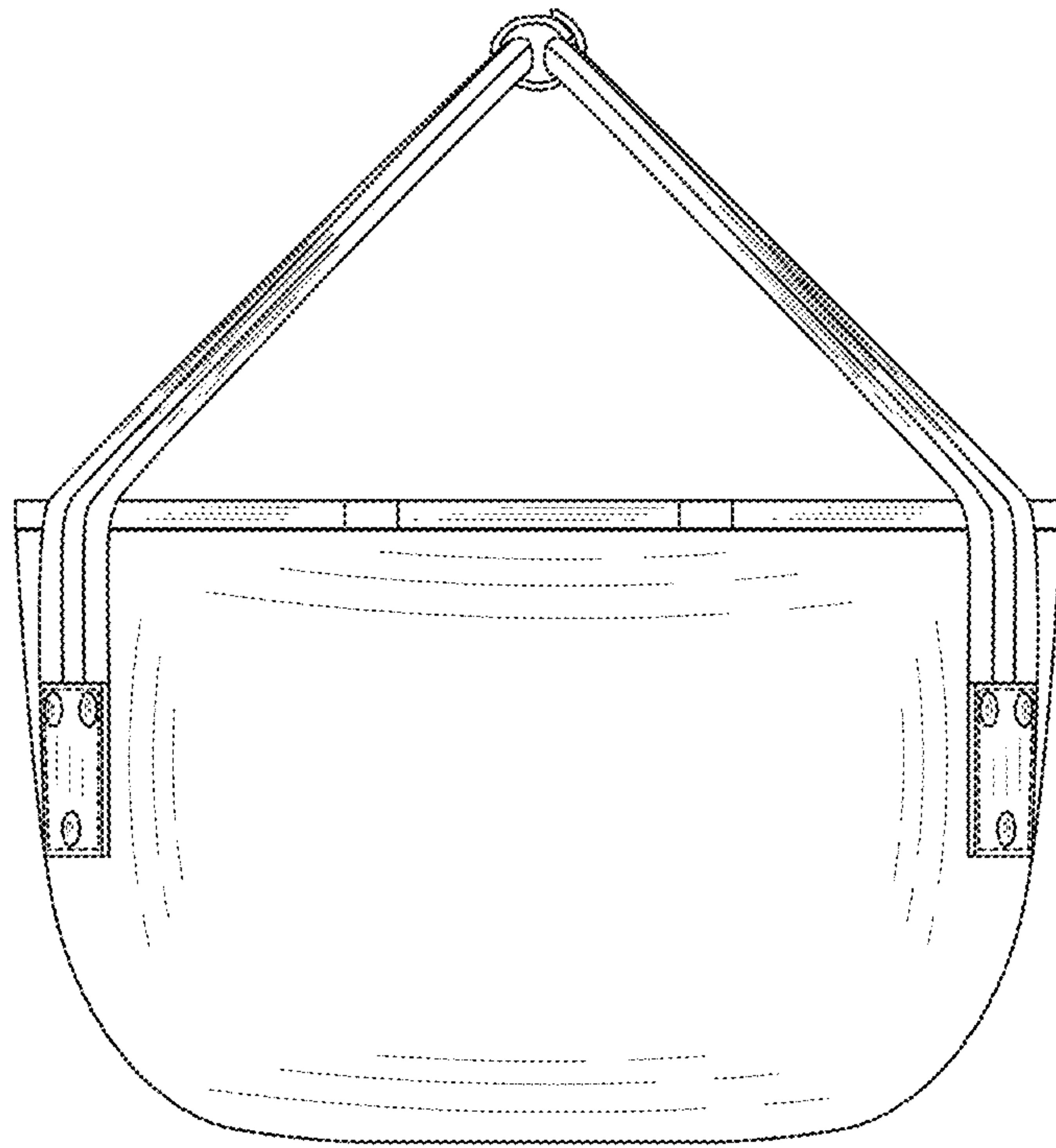


FIG. 13

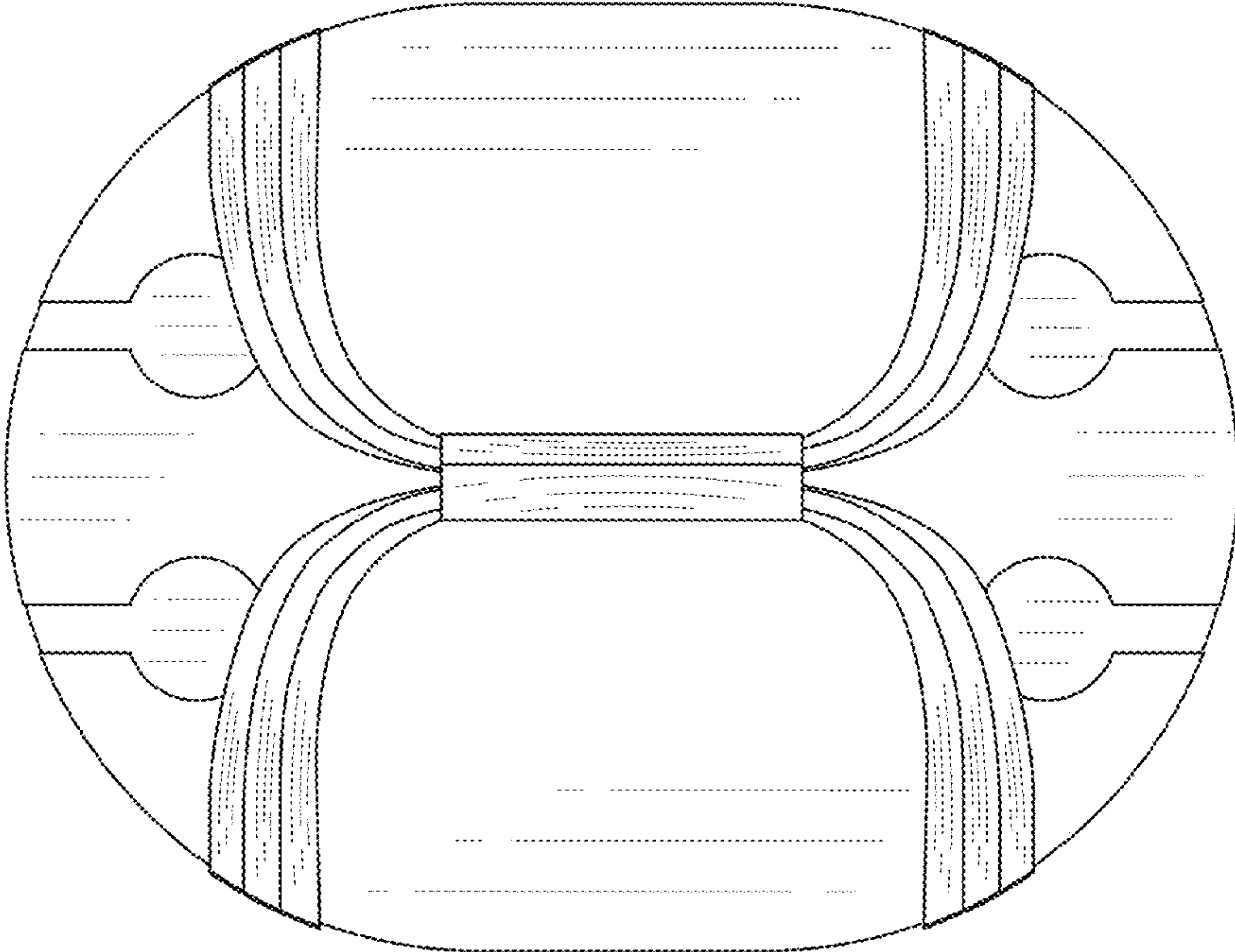


FIG. 14

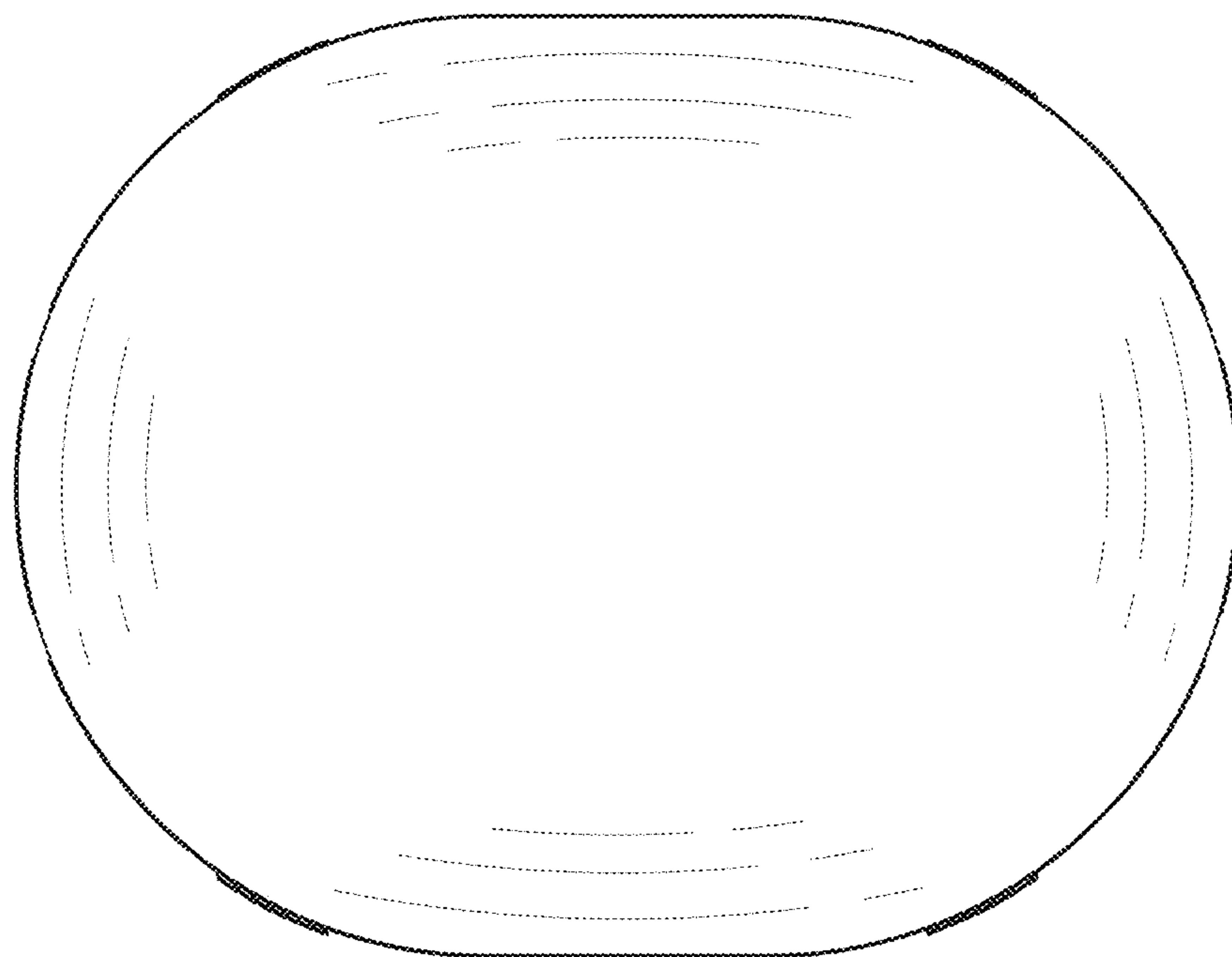


FIG. 15

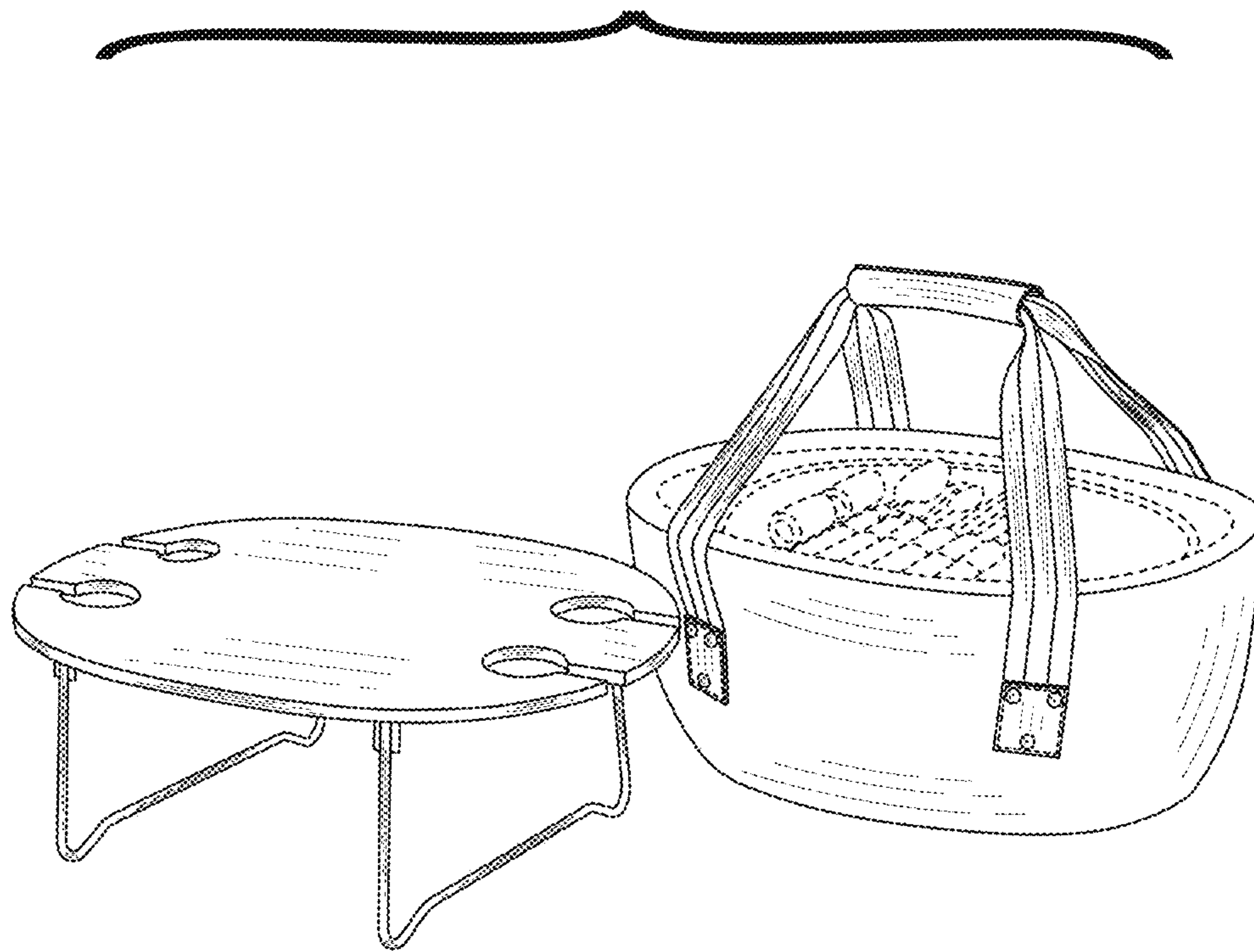


FIG. 16