



US00D971701S

(12) **United States Design Patent** (10) **Patent No.:** **US D971,701 S**
Wu (45) **Date of Patent:** **** Dec. 6, 2022**

(54) **LUNCH BOX**
(71) Applicant: **Zhengzhou Chenglan E-commerce Co., Ltd., Zhengzhou (CN)**
(72) Inventor: **Yajun Wu, Shangqiu (CN)**
(**) Term: **15 Years**
(21) Appl. No.: **29/804,218**

D472,774 S * 4/2003 Pelstring D7/629
7,090,089 B2 * 8/2006 Lown B65D 43/0218
220/780

(Continued)

FOREIGN PATENT DOCUMENTS

GB 272714 A * 6/1923 A45C 11/20

OTHER PUBLICATIONS

Amazon.com, Iteryn, Bento Box Lunch Box 3 in 1 Compartment Containers, ASIN: B08BHTG1TP, 14 pages, date first available Jun. 18, 2020 (Year: 2020).*

(Continued)

Primary Examiner — Terry A Wallace
(74) *Attorney, Agent, or Firm* — Runit R. Kanakia

(22) Filed: **Aug. 19, 2021**
(51) **LOC (13) Cl.** **07-01**
(52) **U.S. Cl.**
USPC **D7/703; D7/629**
(58) **Field of Classification Search**
USPC D7/605–607, 709, 710; D3/201,
D3/203.1–203.8, 202–206
CPC F25D 3/08; F25D 3/02; F25D 3/04; F25D
3/06; F25D 3/14; F25D 3/107; F25D
2331/801; F25D 2331/804; B65D 81/38;
B65D 81/3813; B65D 81/3816; B65D
81/3818; B65D 81/382; B65D 81/3823;
B65D 81/3825; B65D 81/3827; B65D
81/383; B65D 81/3832; B65D 81/3834;
B65D 81/3848; B65D 81/3851; B65D
81/3853; B65D 81/3855; B65D 81/3858;
B65D 81/386; B65D 81/3862; B65D
81/3874; B65D 81/3216; B65D 25/00;
B65D 25/06; B65D 25/04; B65D 1/22;
B65D 1/24; A45C 11/20; A45C 3/00;
A45C 3/08; A45C 3/06; A45C 3/10;
A45C 2003/008; A45C 2003/007; A45C
1/00; A45C 13/008; A45C 13/02; A45C
13/1046; A45C 5/00; A45C 5/02; A45F
3/00

See application file for complete search history.

(56) **References Cited**

U.S. PATENT DOCUMENTS

4,119,248 A * 10/1978 Butler A45F 3/02
224/664

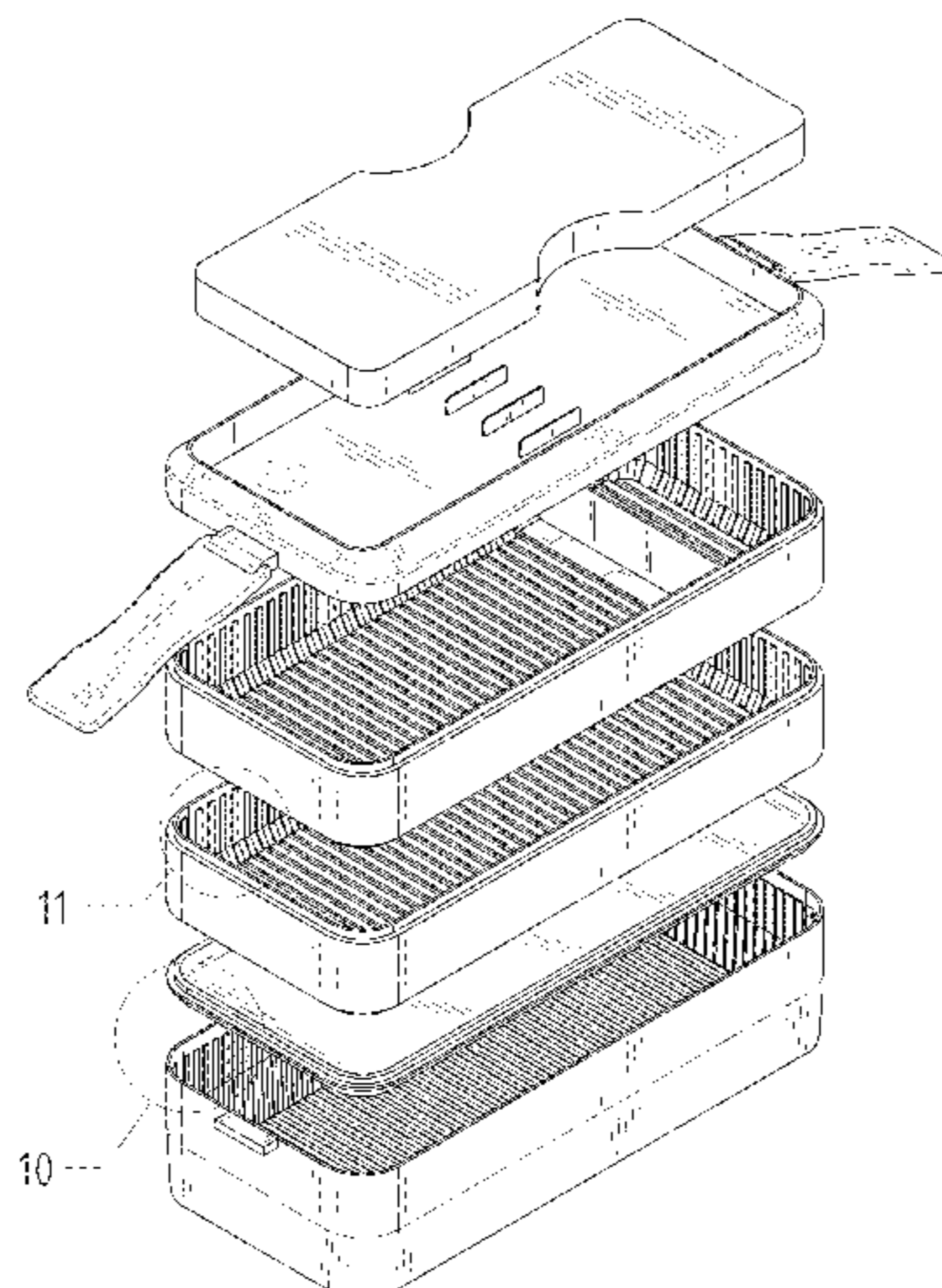
(57) **CLAIM**

The ornamental design for a lunch box, as shown and described.

DESCRIPTION

FIG. 1 is a first perspective view of a lunch box showing my new design;
FIG. 2 is a second perspective view thereof;
FIG. 3 is a front view thereof;
FIG. 4 is a back view thereof;
FIG. 5 is a left side view thereof;
FIG. 6 is a right side view thereof;
FIG. 7 is a top view thereof;
FIG. 8 is a bottom view thereof;
FIG. 9 is a perspective view of another state of the lunch box thereof;
FIG. 10 is an enlarged view of the selected portion in FIG. 9; and,
FIG. 11 is an enlarged view of the selected portion in FIG. 9.
The broken lines shown in the drawings depict portions of the lunch box in which the design is embodied that form no part of the claimed design.

1 Claim, 11 Drawing Sheets



(56)

References Cited

U.S. PATENT DOCUMENTS

D607,701 S 1/2010 Pedrazzi et al.
D763,629 S 8/2016 Swartz et al.
D903,443 S 12/2020 Stor
2014/0103033 A1* 4/2014 Beckman B65D 1/34
220/4.01

OTHER PUBLICATIONS

Amazon.com, Stackable Bento Box Lunch box, Wheat Straw, 3 in
1 Compartment Japanese Lunch Containers with Divider, ASIN:
B09PV6BT9R, 11 pages, date first available Dec. 18, 2020 (Year:
2020).*

* cited by examiner

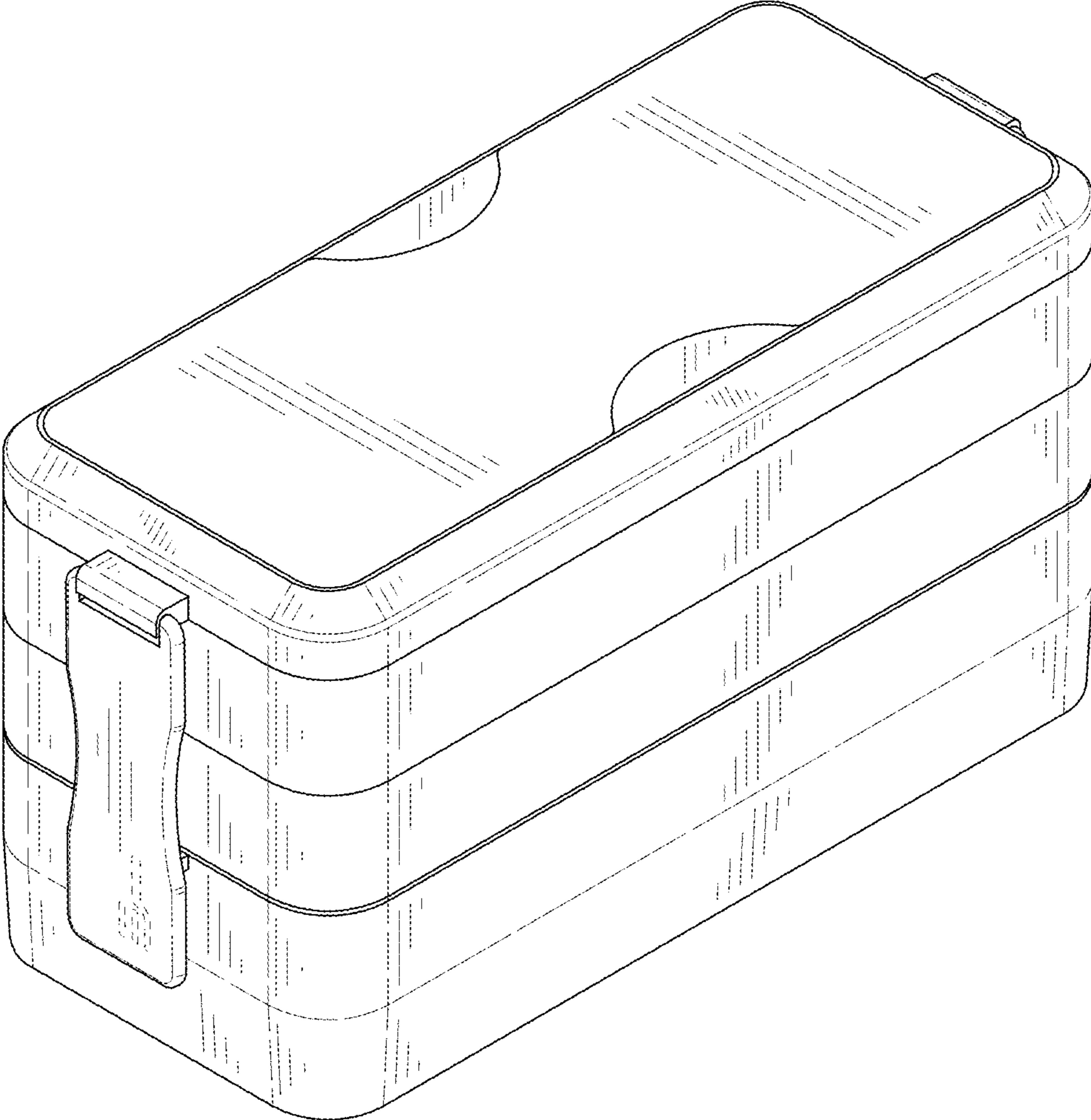


FIG. 1

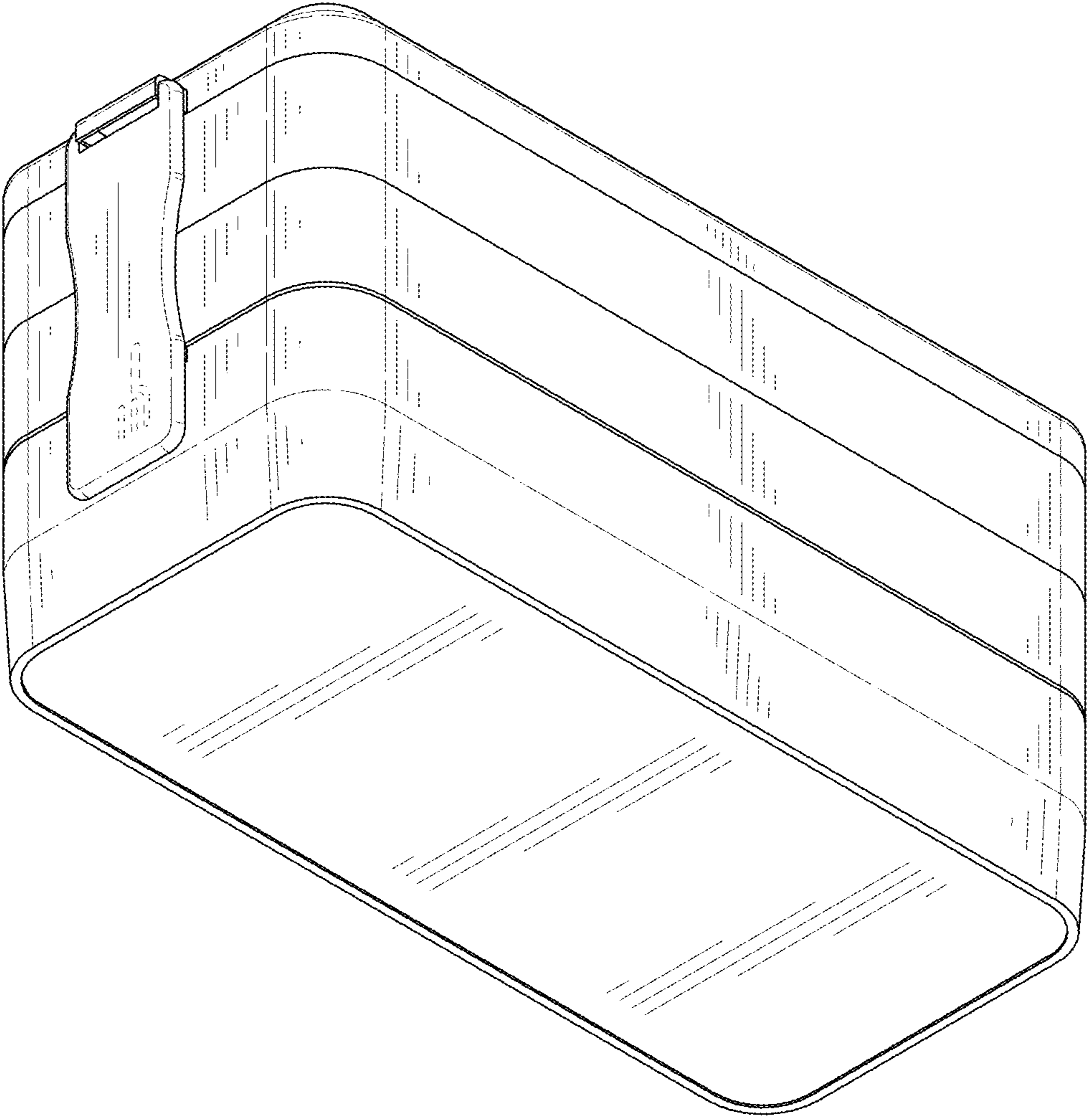


FIG. 2

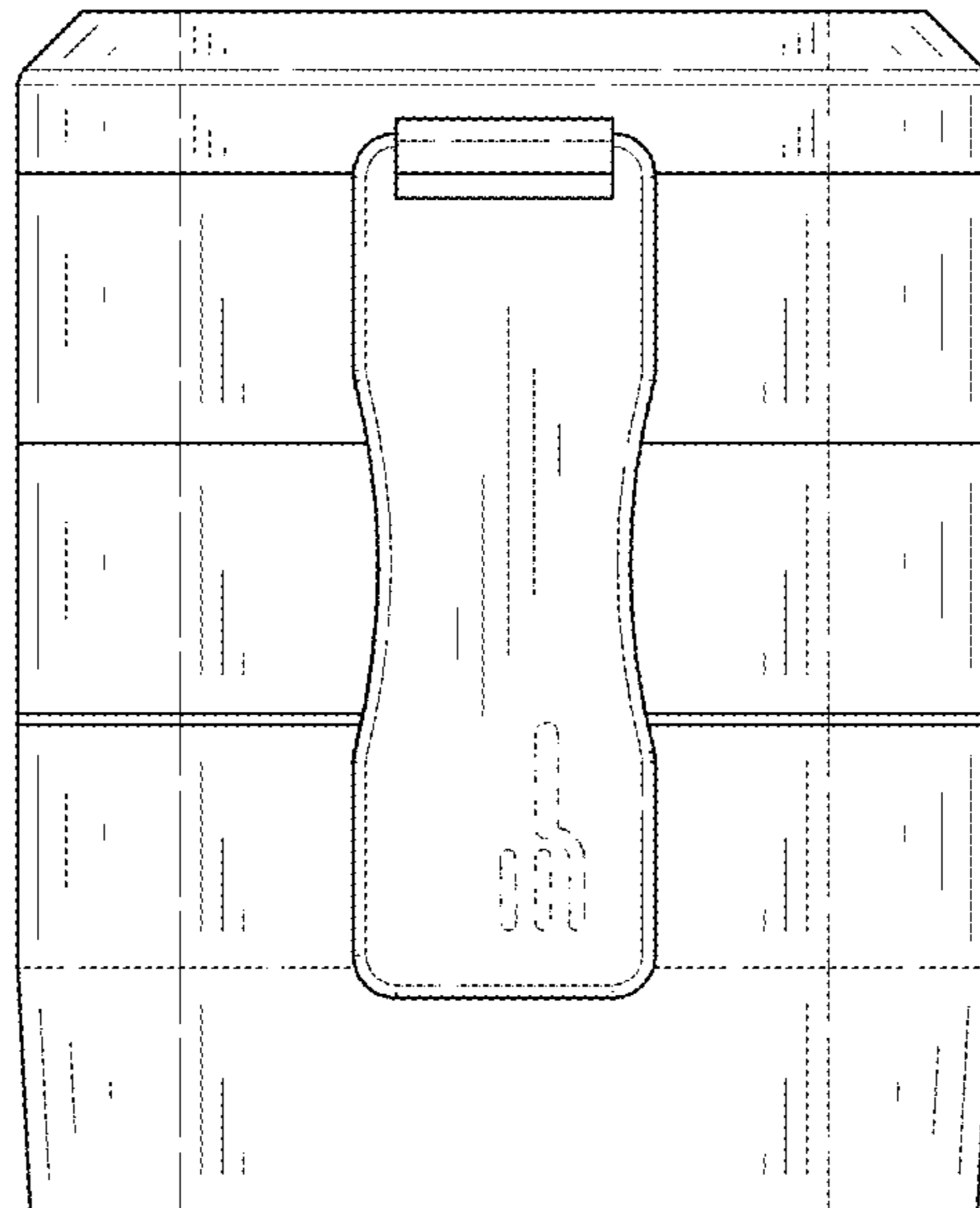


FIG. 3

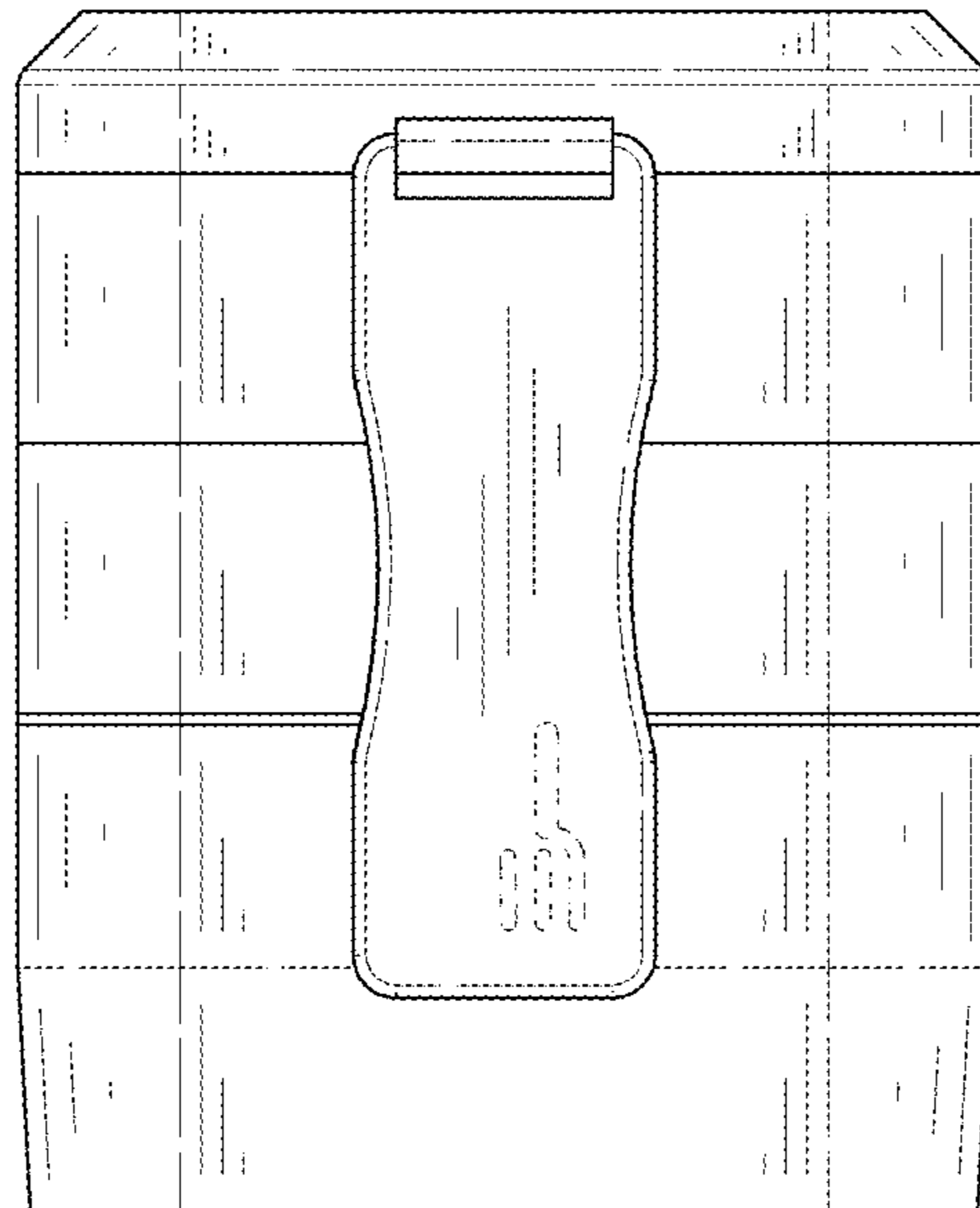


FIG. 4

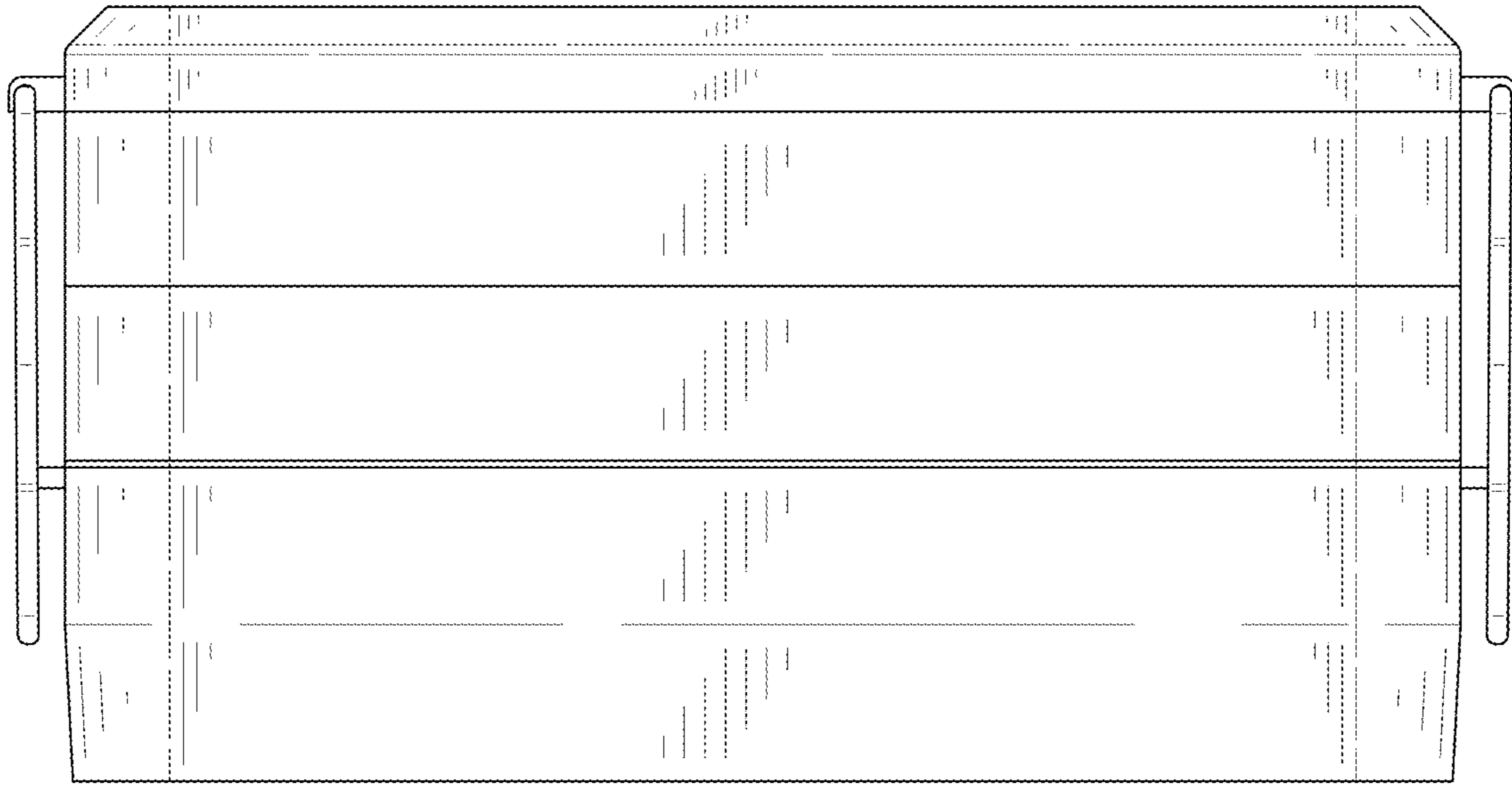


FIG. 5

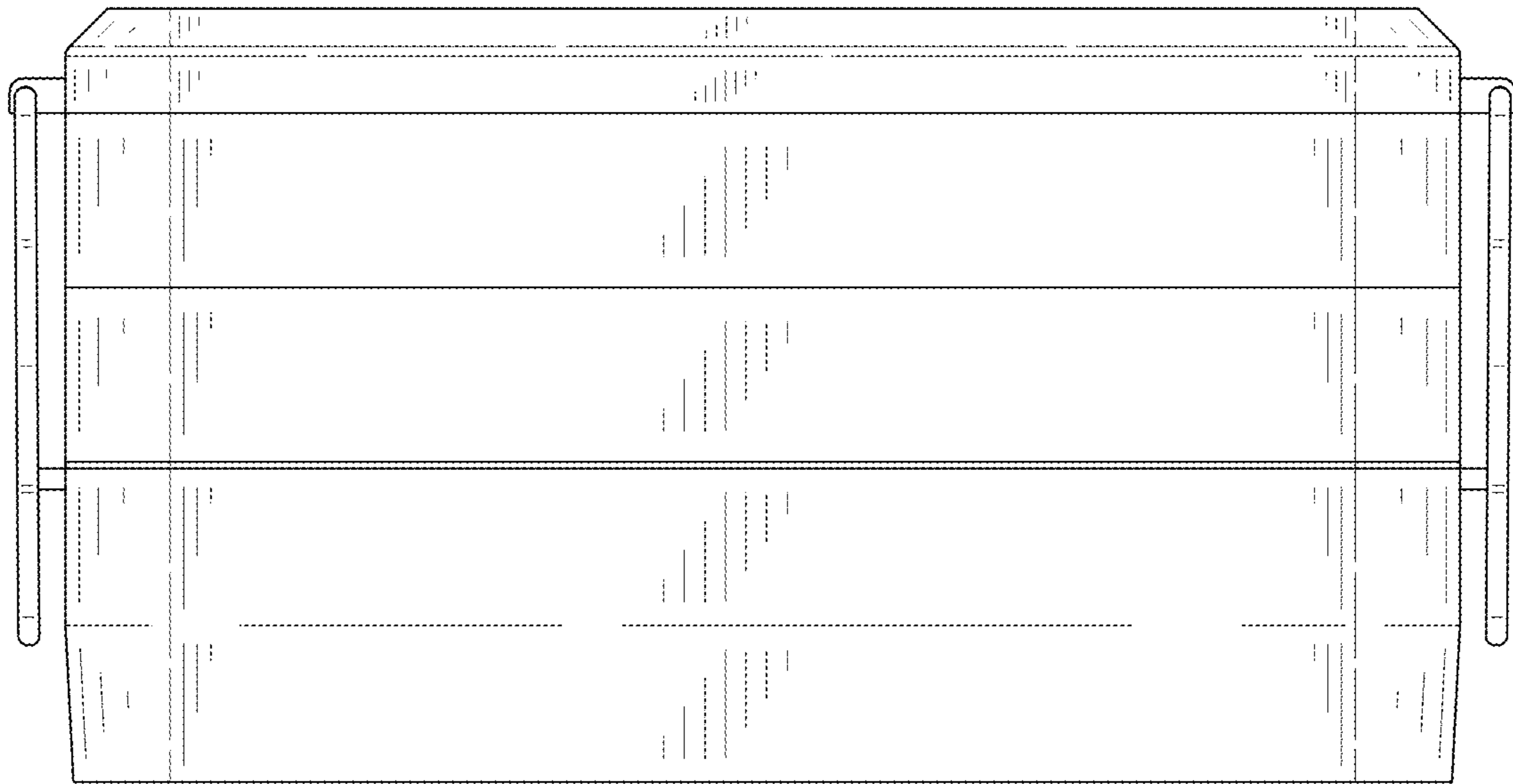


FIG. 6

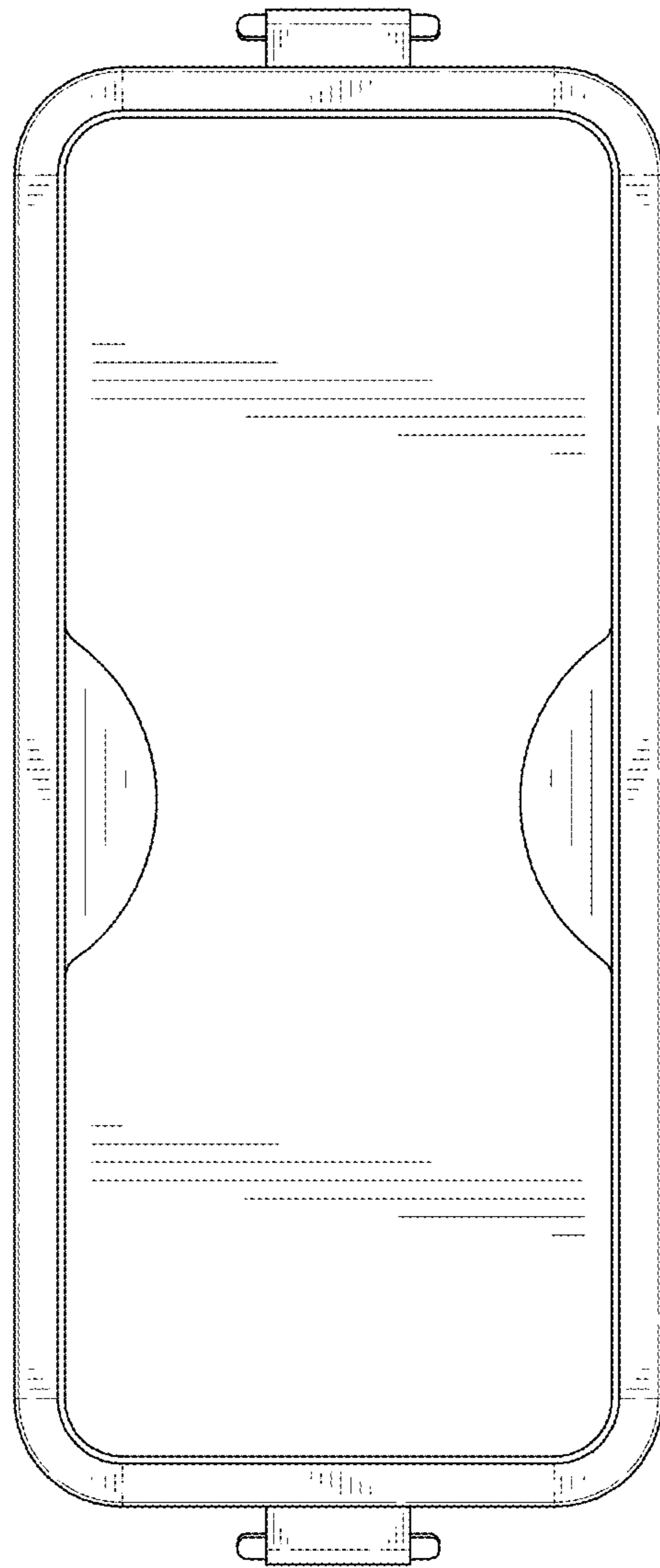


FIG. 7

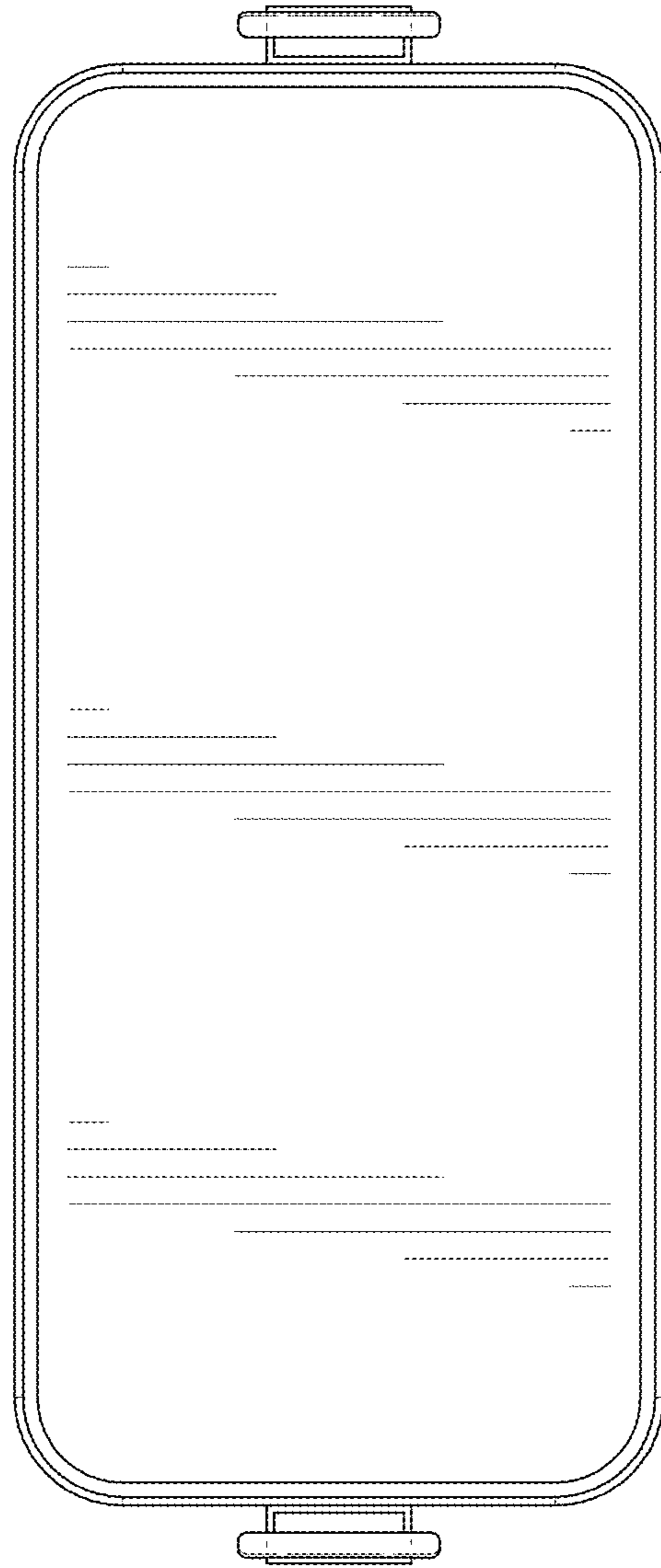


FIG. 8

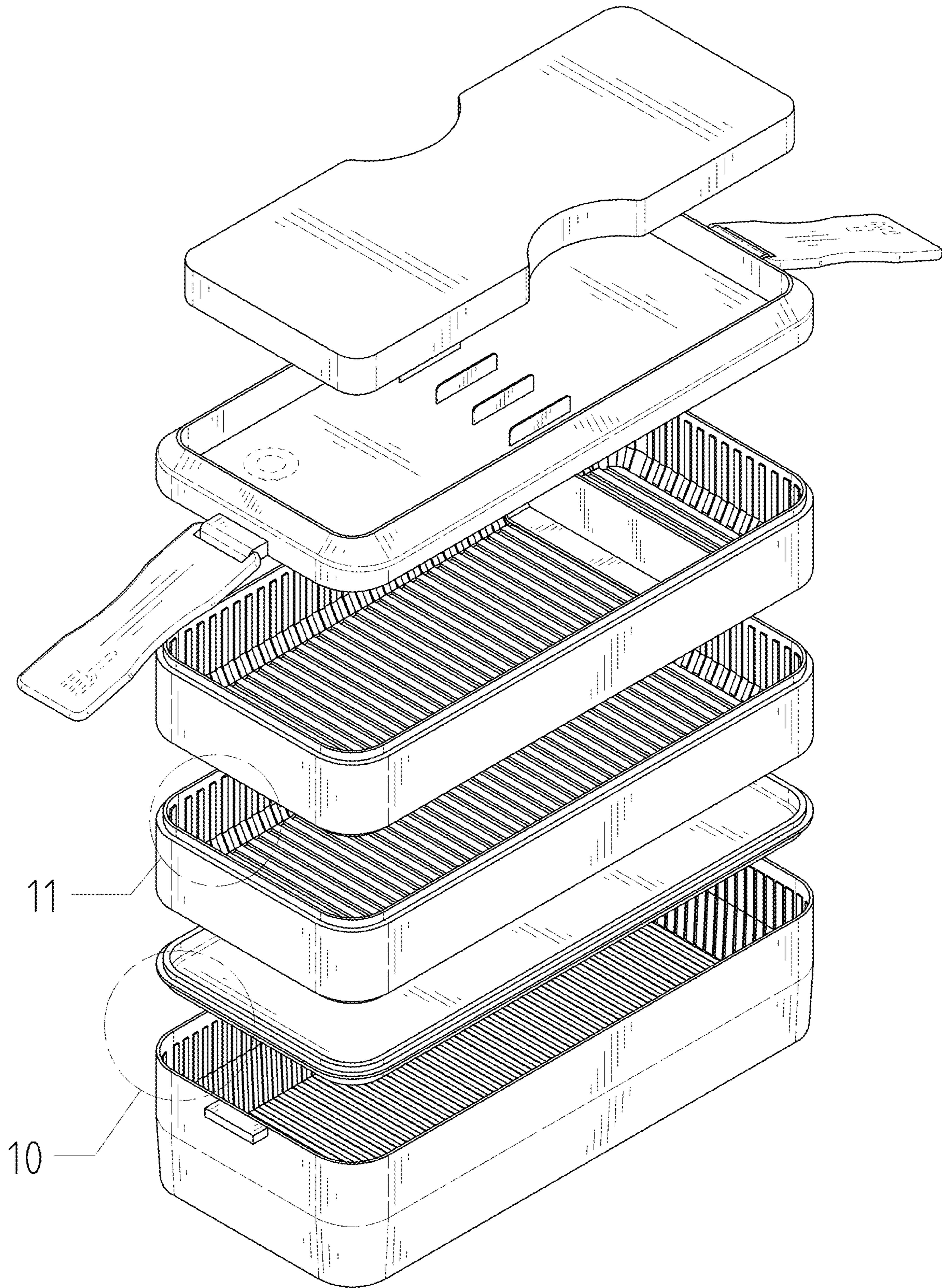


FIG. 9

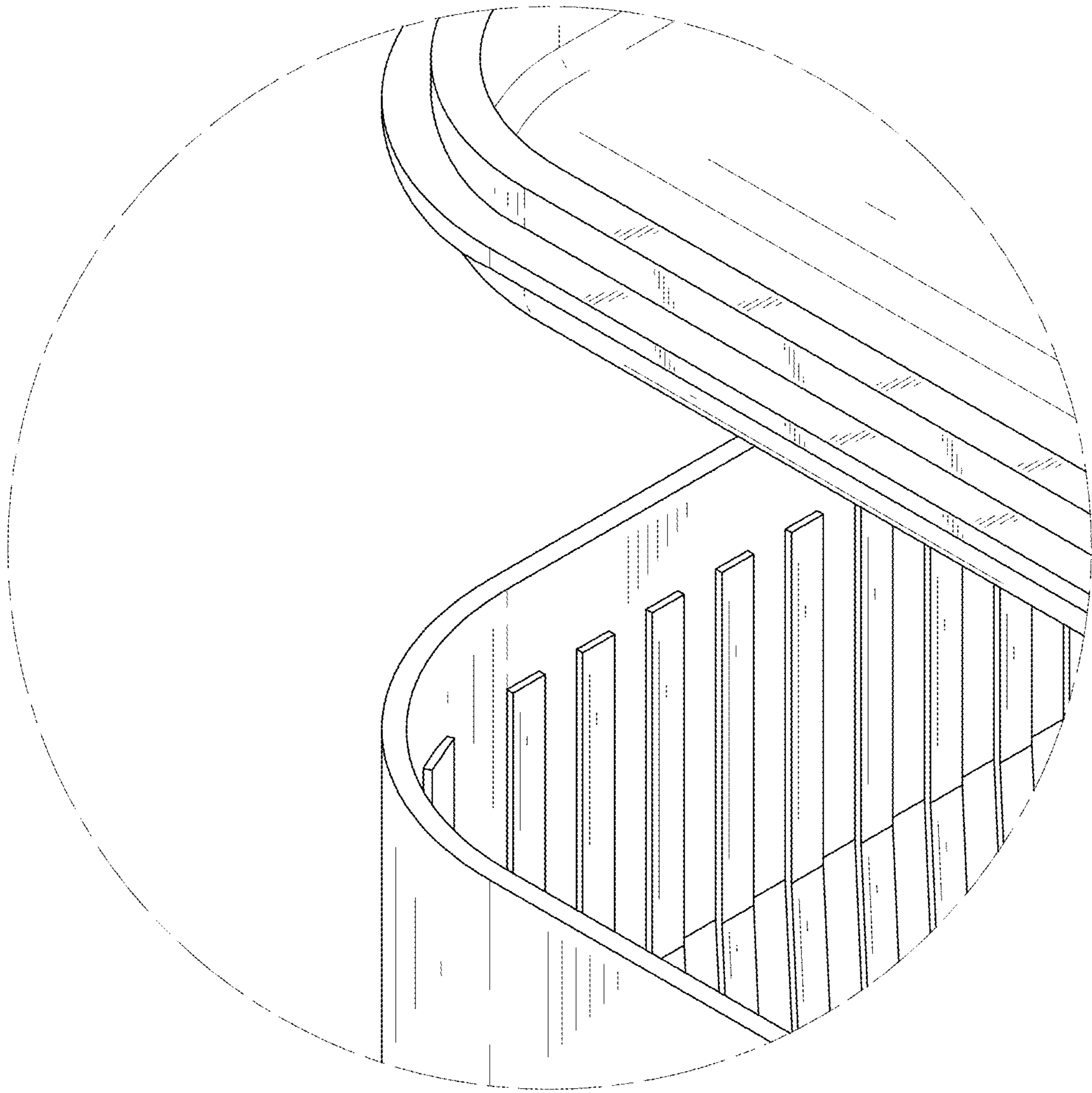


FIG. 10

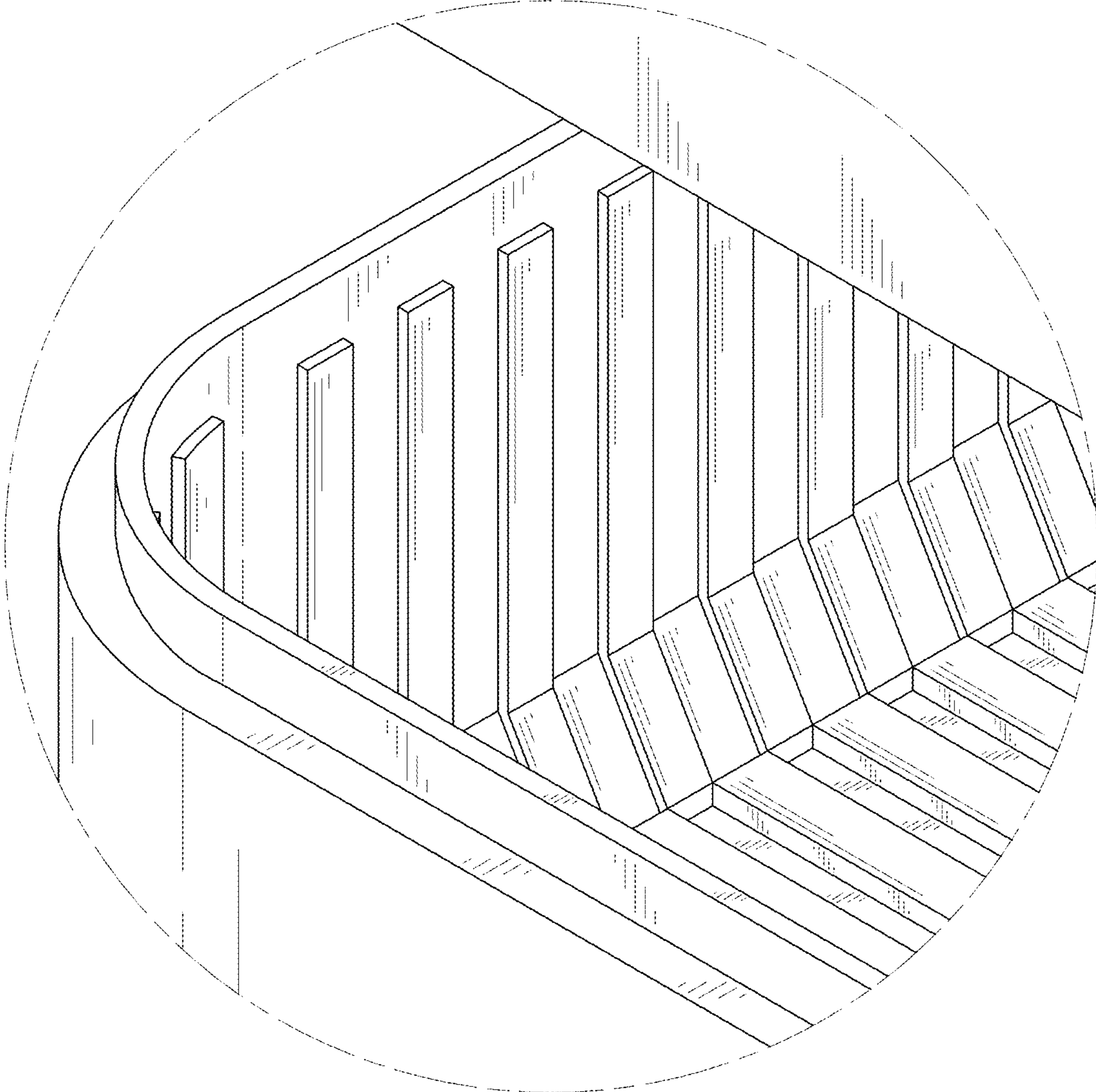


FIG. 11