



US00D971699S

(12) **United States Design Patent** (10) **Patent No.:** **US D971,699 S**  
**Wilson et al.** (45) **Date of Patent:** **\*\* Dec. 6, 2022**

(54) **UTENSIL HANDLE**  
(71) Applicants: **Roslyn Denise Wilson**, Suffolk, VA  
(US); **John Eldridge Childress**,  
Suffolk, VA (US)  
(72) Inventors: **Roslyn Denise Wilson**, Suffolk, VA  
(US); **John Eldridge Childress**,  
Suffolk, VA (US)  
(\*\*) Term: **15 Years**

7,716,842 B2 5/2010 Sumner-Trivisani et al.  
D650,692 S \* 12/2011 Miller ..... A47J 43/287  
D7/601  
D671,801 S \* 12/2012 He ..... D7/645  
8,844,099 B2 \* 9/2014 Puig ..... B25G 1/102  
16/422  
D726,512 S \* 4/2015 Shultz ..... D7/642  
D754,489 S \* 4/2016 Smith ..... D7/637  
D834,370 S \* 11/2018 Seehoff ..... A47G 21/02  
D7/642  
D877,575 S \* 3/2020 Yip ..... D7/642  
(Continued)

(21) Appl. No.: **29/755,586**  
(22) Filed: **Oct. 21, 2020**  
(51) **LOC (13) Cl.** ..... **07-03**  
(52) **U.S. Cl.**  
USPC ..... **D7/642; D7/401.2**  
(58) **Field of Classification Search**  
USPC ..... D7/368, 387, 388, 393, 395, 396.1,  
D7/401.2, 412, 601, 635-645, 653,  
D7/662-664, 669; D8/71  
CPC ..... A47G 19/08; A47G 21/145; A47J 36/34;  
A47J 45/00; A47J 45/02; A47J 45/07;  
A47J 45/10  
See application file for complete search history.

**OTHER PUBLICATIONS**

Clean Cuisine Sani Snap, Clean Cuisine Sani Snap LLC, [online],  
[site visited Jun. 29, 2022], Available from internet URL: <https://britebuffetway15.com/#:~:text=The%20Sani%20Snap%20gives%20your,owner%20from%20health%2FSafety%20issues> (Year: 2022).\*

*Primary Examiner* — Mary Ann Calabrese  
*Assistant Examiner* — Natalya M Rapundalo  
(74) *Attorney, Agent, or Firm* — Goldstein Law Offices,  
P.C.

(56) **References Cited**

**U.S. PATENT DOCUMENTS**

1,323,838 A 12/1919 Copp  
1,393,574 A 10/1921 Rohmiller  
2,590,286 A 3/1952 Wirtanen et al.  
2,762,120 A \* 9/1956 Mack ..... A47G 21/02  
30/340  
4,013,250 A \* 3/1977 McGaffin ..... A47J 43/287  
248/37.3  
5,699,614 A 12/1997 Garneau, Sr.  
D402,468 S \* 12/1998 Killins ..... D3/315  
6,115,921 A 9/2000 Garneau, Sr.  
6,591,739 B2 7/2003 Norcross  
6,675,483 B2 1/2004 Bond et al.  
D519,779 S \* 5/2006 Varcelli ..... D7/601  
D606,806 S \* 12/2009 Campbell ..... D7/401.2

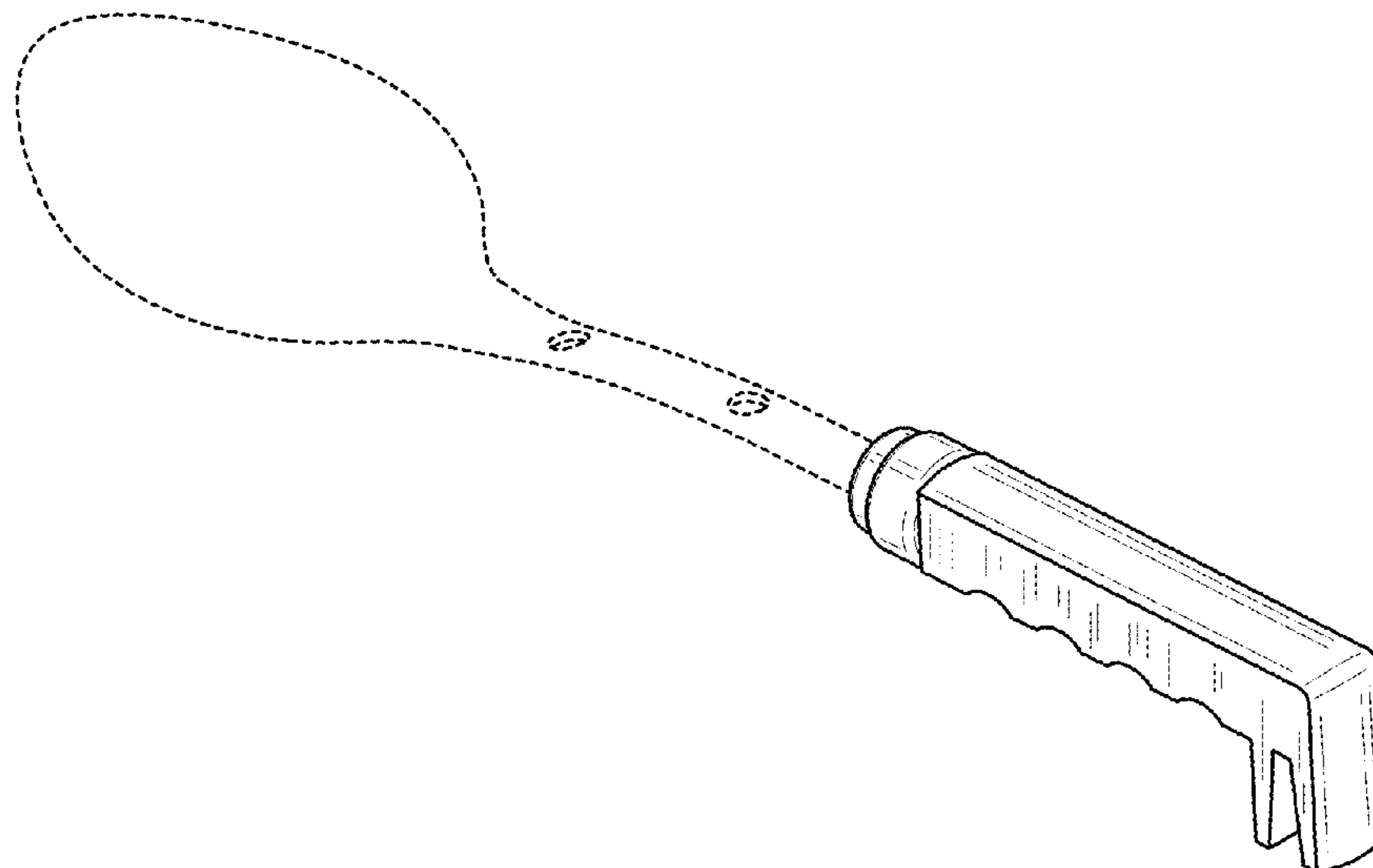
(57) **CLAIM**

The ornamental design for a utensil handle, as shown and described.

**DESCRIPTION**

FIG. 1 is a perspective view of a utensil handle.  
FIG. 2 is a top plan view of the utensil handle.  
FIG. 3 is a bottom plan view thereof.  
FIG. 4 is a front elevational view thereof.  
FIG. 5 is a rear elevational view thereof.  
FIG. 6 is a right side elevational view thereof; and,  
FIG. 7 is a left side elevational view thereof.  
The broken lines showing in FIGS. 1-8 are for the purpose of illustrating the environment of the article only and form no part of the claimed design.

**1 Claim, 4 Drawing Sheets**



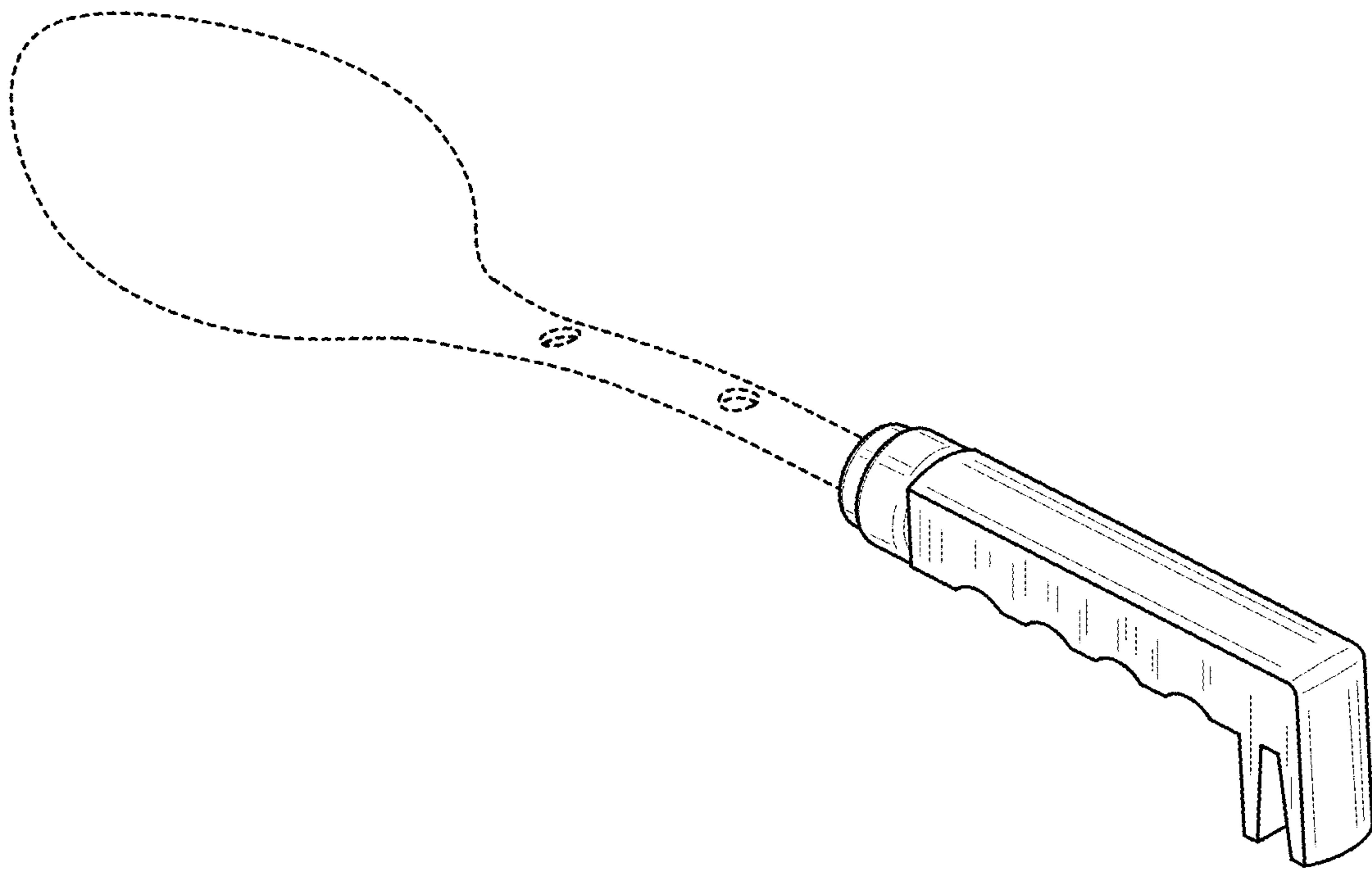
(56)

**References Cited**

U.S. PATENT DOCUMENTS

D911,121 S *	2/2021	Bassett .....	D7/637
11,253,092 B1 *	2/2022	Wilson .....	F16M 11/041
2005/0011367 A1	1/2005	Crow	
2006/0175228 A1	8/2006	Howel et al.	
2008/0289188 A1	11/2008	Holdbrooks	
2012/0152962 A1	6/2012	Arbuckle	
2012/0159794 A1	6/2012	Vogel	
2015/0216364 A1	8/2015	Knight, Sr.	
2019/0150673 A1	5/2019	Joe	
2020/0016285 A1	1/2020	Newsome	

\* cited by examiner



*FIG. 1*

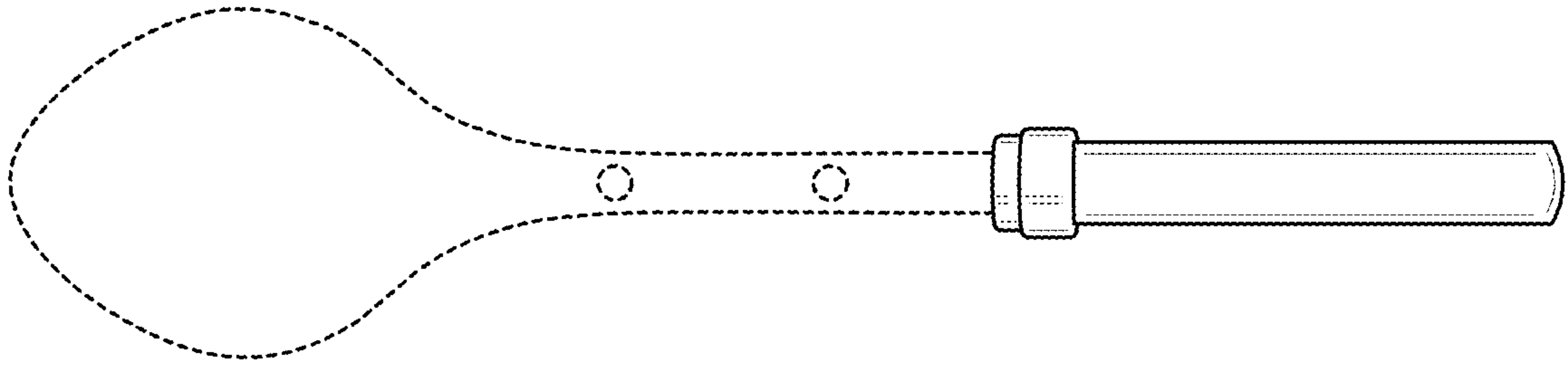


FIG. 2

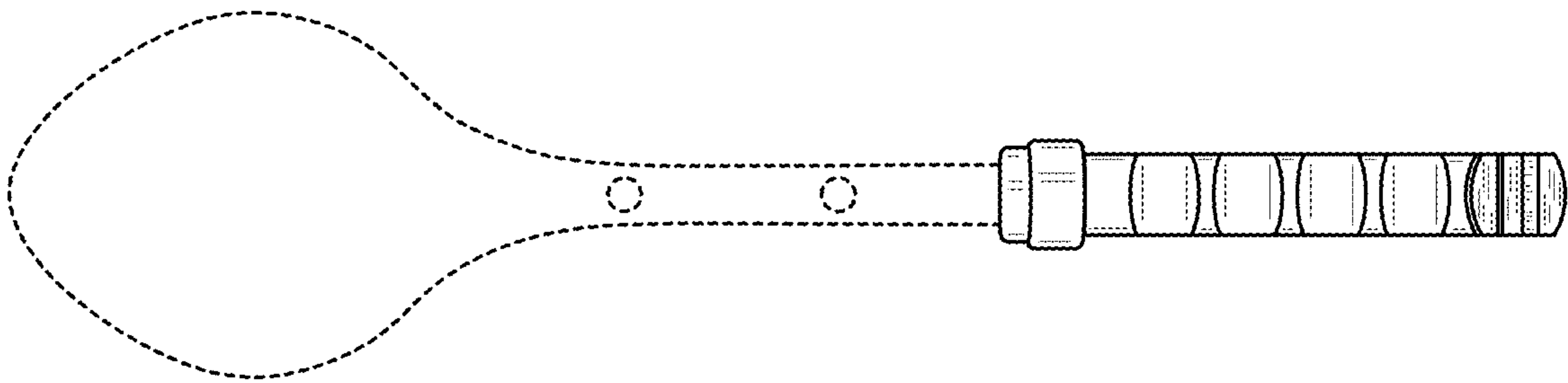
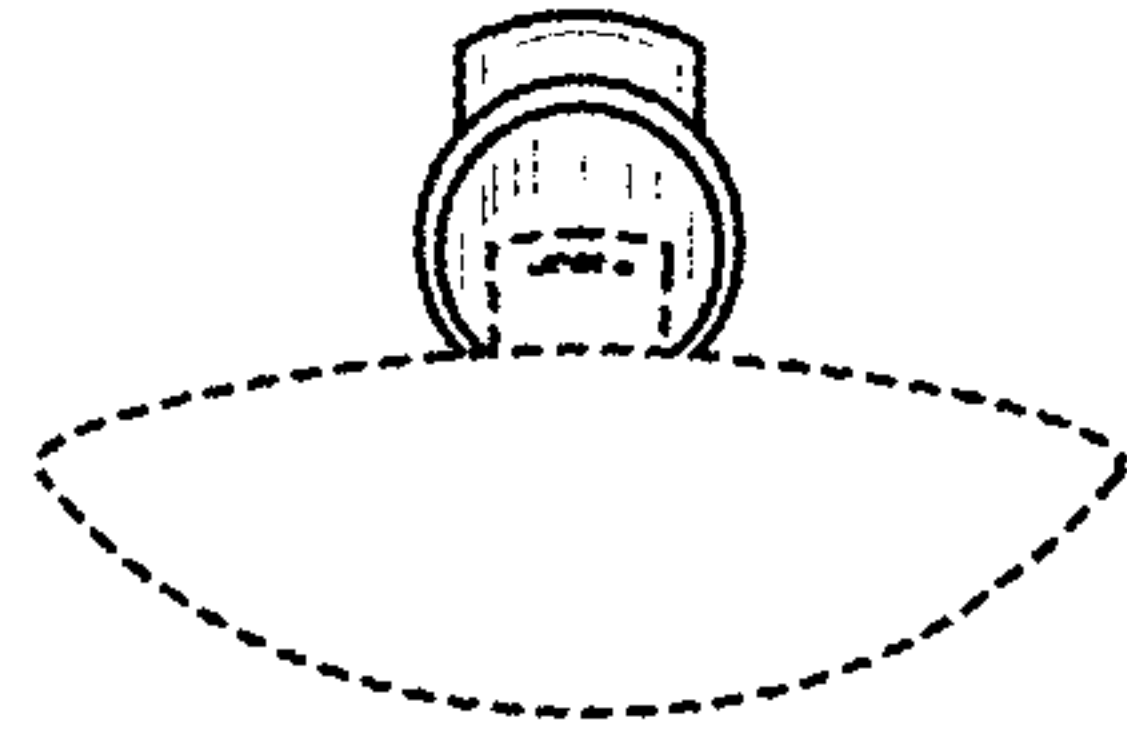
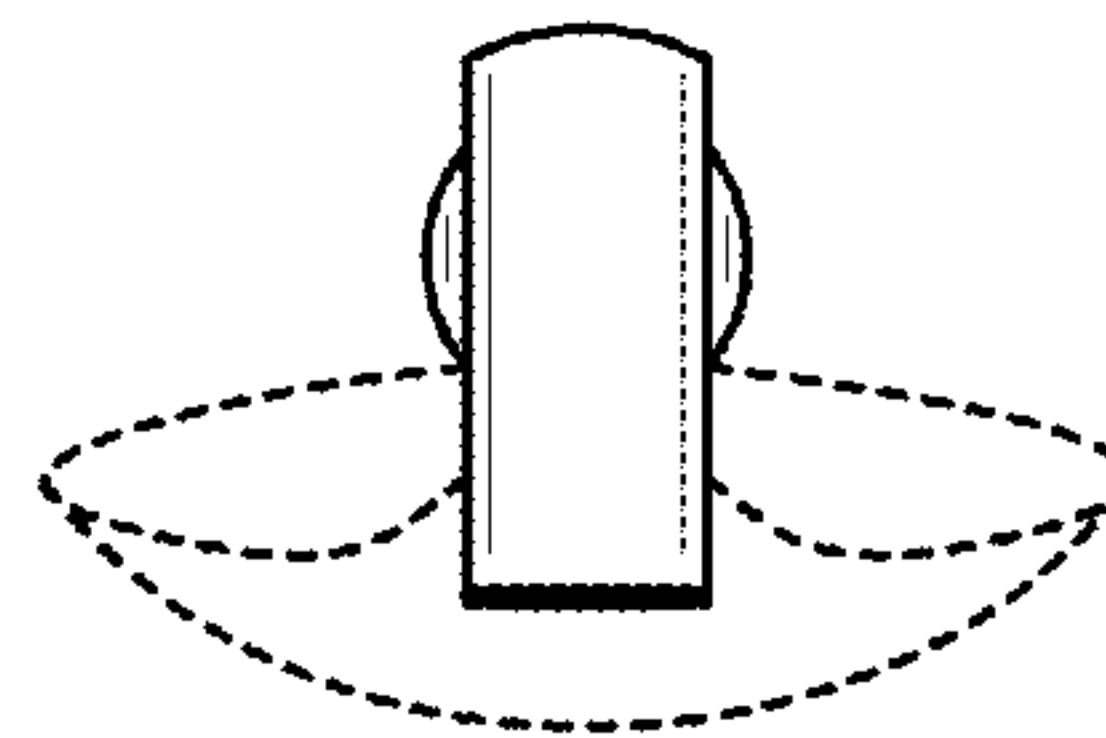


FIG. 3



*FIG. 4*



*FIG. 5*

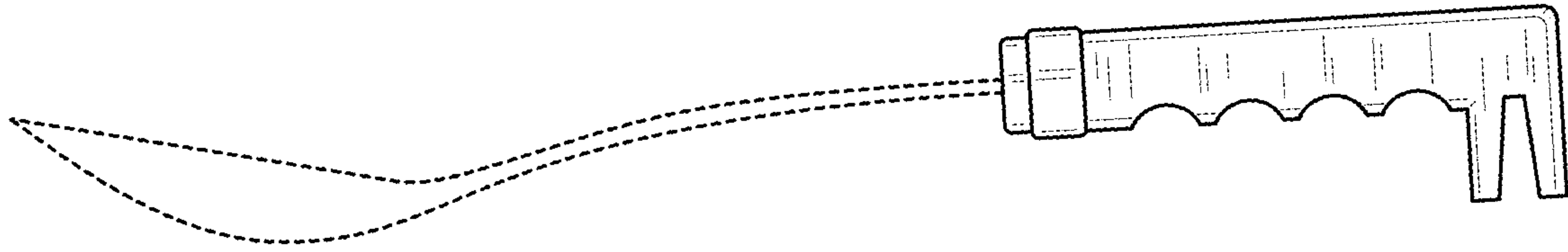


FIG. 6

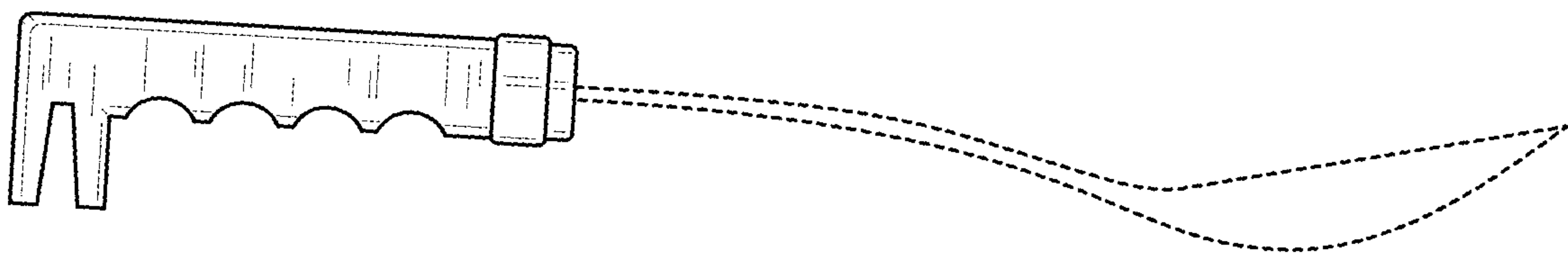


FIG. 7