



US00D971698S

(12) **United States Design Patent** (10) **Patent No.:** **US D971,698 S**
Worden, IV et al. (45) **Date of Patent:** **** Dec. 6, 2022**

(54) **KNIFE ORGANIZER**

D211,899 S * 8/1968 Kriegel D7/637
D255,007 S * 5/1980 Pallotta, Jr. D7/637
D352,868 S * 11/1994 Breen D7/637

(71) Applicant: **Helen of Troy Limited**, St. Michael (BB)

(Continued)

(72) Inventors: **Morris Elijah Worden, IV**, New York, NY (US); **Brandon Rodriguez**, New York, NY (US)

FOREIGN PATENT DOCUMENTS

EP 007983754-0002 6/2020
EP 008053094-0001 7/2020

(73) Assignee: **Helen of Troy Limited**

OTHER PUBLICATIONS

(**) Term: **15 Years**

Oxo Good Grips Compact Knife Drawer Organizer, first available Jul. 21, 2021, Amazon, [online], [site visited Jul. 5, 2022], Available from internet URL: <https://www.amazon.com/OXO-Grips-Compact-Drawer-Organizer/dp/B09B1BTJJQ> (Year: 2021).*

(21) Appl. No.: **29/770,486**

(Continued)

(22) Filed: **Feb. 12, 2021**

(51) **LOC (13) Cl.** **07-07**

(52) **U.S. Cl.**

USPC **D7/641**

(58) **Field of Classification Search**

USPC D7/387, 388, 393, 396.1, 401.1, 500, D7/550.1, 553.1, 553.2, 553.3, 553.7, D7/554.1, 554.3, 554.4, 555, 586, 587, D7/600.1, 601, 602, 635-645, 701, 703, D7/707, 708; D3/210, 304, 305, 310, D3/313, 315; D6/683, 683.1; D19/75, D19/77, 81, 83; D27/172, 183, 186; D28/73, 76, 83, 91

CPC ... A47B 88/969; A47B 88/975; A47B 88/988; A47B 88/994; A47B 2088/976; A47G 21/14; A47J 47/16; B65D 1/34; B65D 1/36; B65D 11/188; B65D 25/04; B65D 25/06

See application file for complete search history.

Primary Examiner — Mary Ann Calabrese

Assistant Examiner — Natalya M Rapundalo

(74) *Attorney, Agent, or Firm* — Rankin, Hill & Clark LLP

(57) **CLAIM**

The ornamental design for a knife organizer, as shown and described.

DESCRIPTION

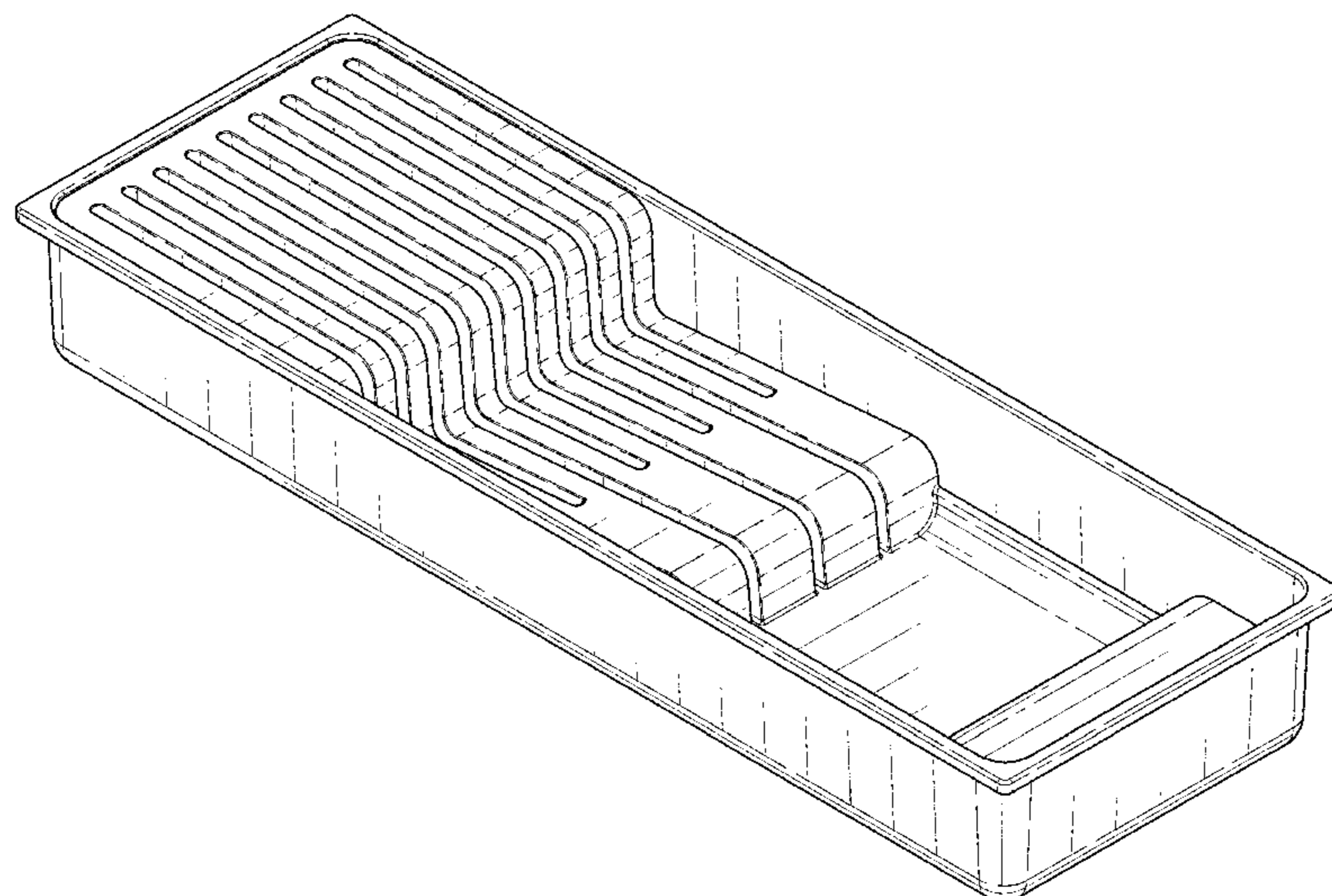
FIG. 1 is a top, front, left side perspective view of a knife organizer according to our new design; FIG. 2 is a front elevation view of FIG. 1, a rear elevation view being a mirror image thereof; FIG. 3 is a left side elevation view of FIG. 1, a right side elevation view being a mirror image thereof; FIG. 4 is a top plan view of FIG. 1; FIG. 5 is a bottom plan view of FIG. 1; FIG. 6 is a top, front, right side perspective view of FIG. 1; FIG. 7 is a top, rear, right side perspective view of FIG. 1; and, FIG. 8 is a top, rear, left side perspective view of FIG. 1. The broken lines in the drawings depict portions of the knife organizer that form no part of the claimed design.

1 Claim, 7 Drawing Sheets

(56) **References Cited**

U.S. PATENT DOCUMENTS

D135,186 S 3/1943 Miller
D145,172 S * 7/1946 Hvale D7/641
D186,394 S 10/1959 Hvale
D197,854 S * 3/1964 Hvale D7/637



(56)

References Cited

U.S. PATENT DOCUMENTS

D371,727 S	7/1996	Gebhardt	
D411,718 S *	6/1999	Davis	D7/637
D441,616 S *	5/2001	Cohen	D7/637
D512,279 S	12/2005	Berger	
D614,454 S *	4/2010	Shapiro	D7/637
D708,487 S *	7/2014	Filipski	D7/637
D779,893 S	2/2017	deBretton Gordon	
D800,513 S	10/2017	Liu	
D887,227 S	6/2020	Joseph	
D941,584 S *	1/2022	Zheng	D3/313
D948,969 S *	4/2022	Liu	D7/637

OTHER PUBLICATIONS

iDesign Crisp Plastic Silverware Organizer, Walmart, [online], [site visited Jul. 11, 2022], Available from internet URL: <https://www.walmart.com/ip/iDesign-Crisp-Plastic-Silverware-Organizer-6-19-x-16-32-x-2-inches-Clear/565009486> (Year: 2022).*

Drawer Bamboo Knife Block, site visited Feb. 10, 2021 URL: <https://www.amazon.com/dp/B085YHNJ7D>.

Zwilling 8-Slot-In-Drawer Knife Organizer in Light Brown, site visited Feb. 10, 2021 URL: <https://www.bedbathandbeyond.com/store/product/zwilling-reg-8-slot-in-drawer-knife-organizer-in-light-brown/5177714>.

* cited by examiner

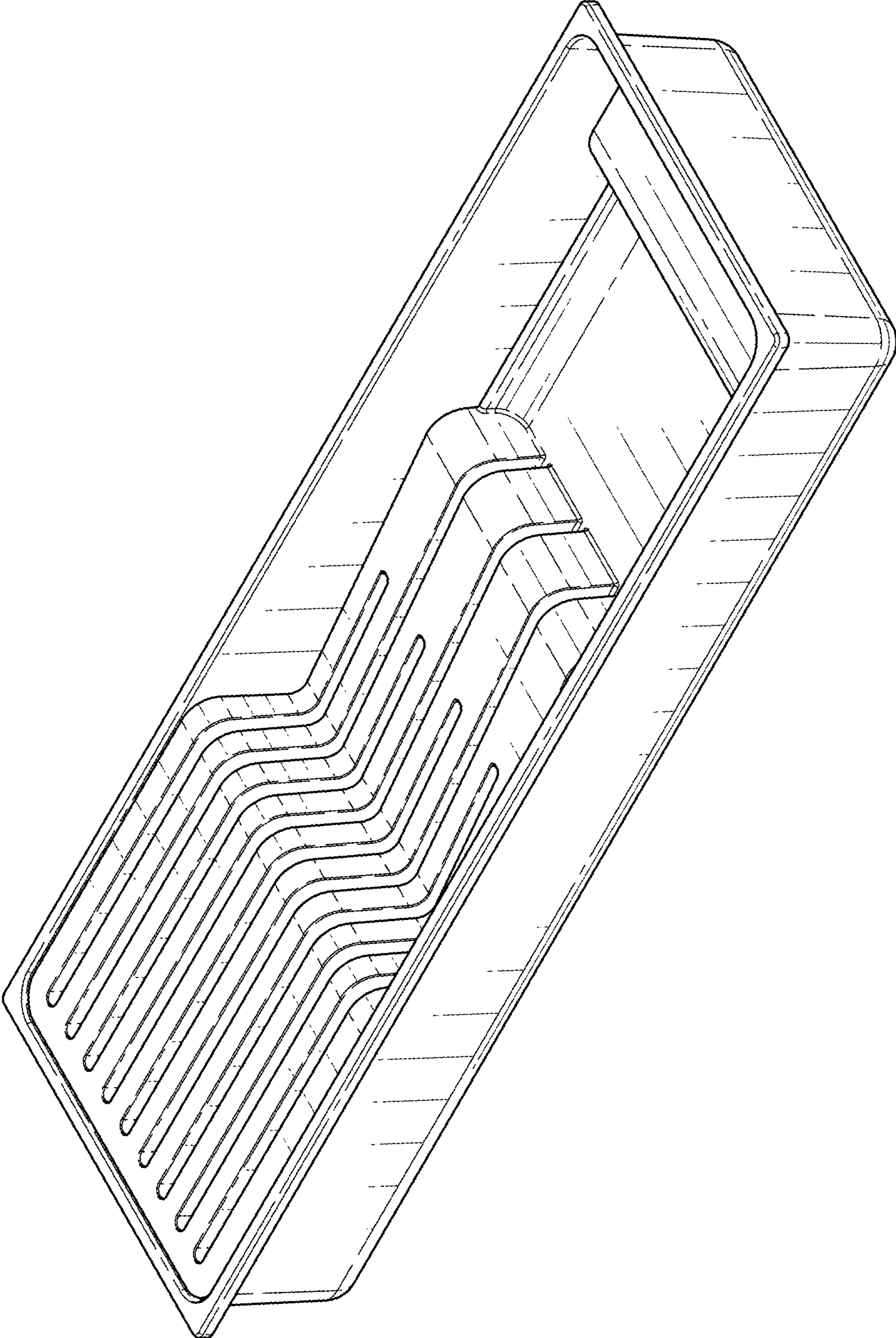


FIG. 1

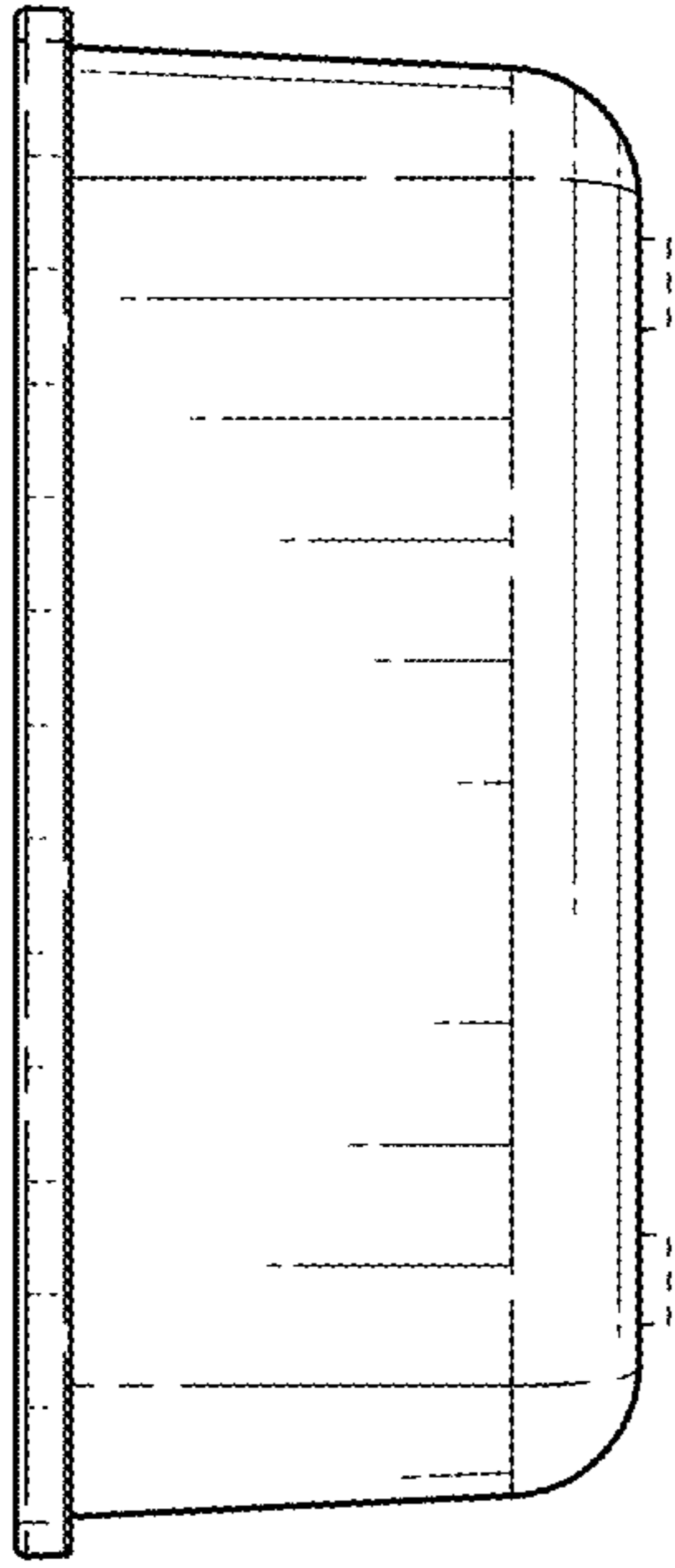


FIG. 2

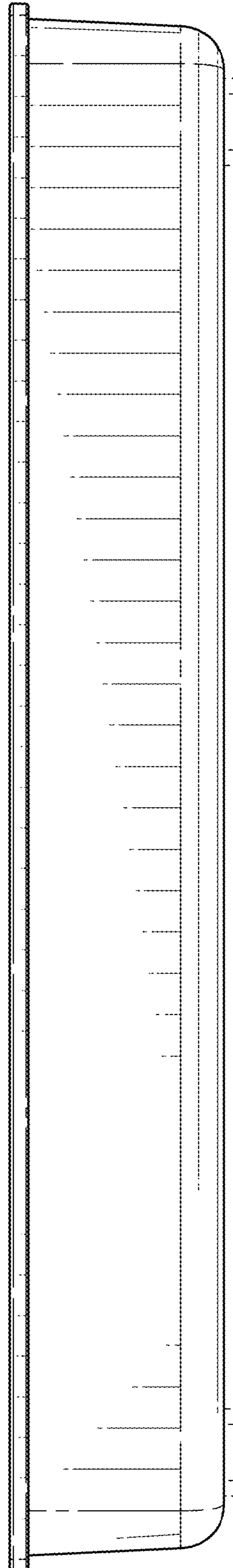


FIG. 3

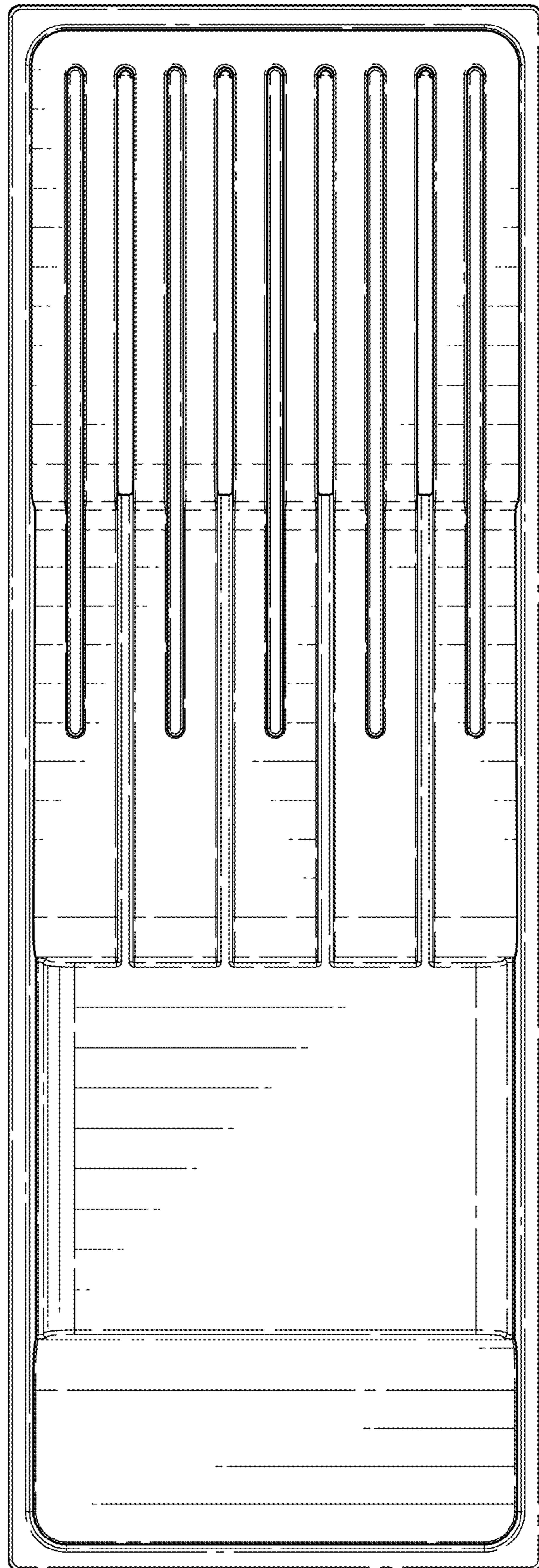


FIG. 4

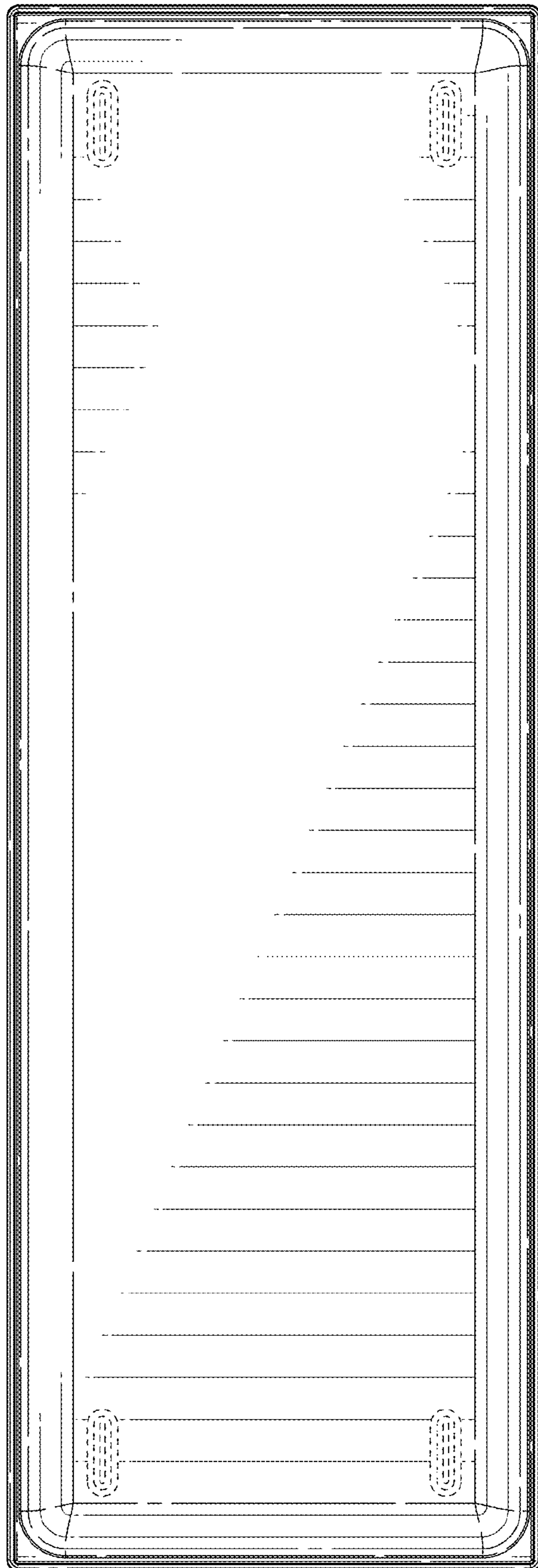


FIG. 5

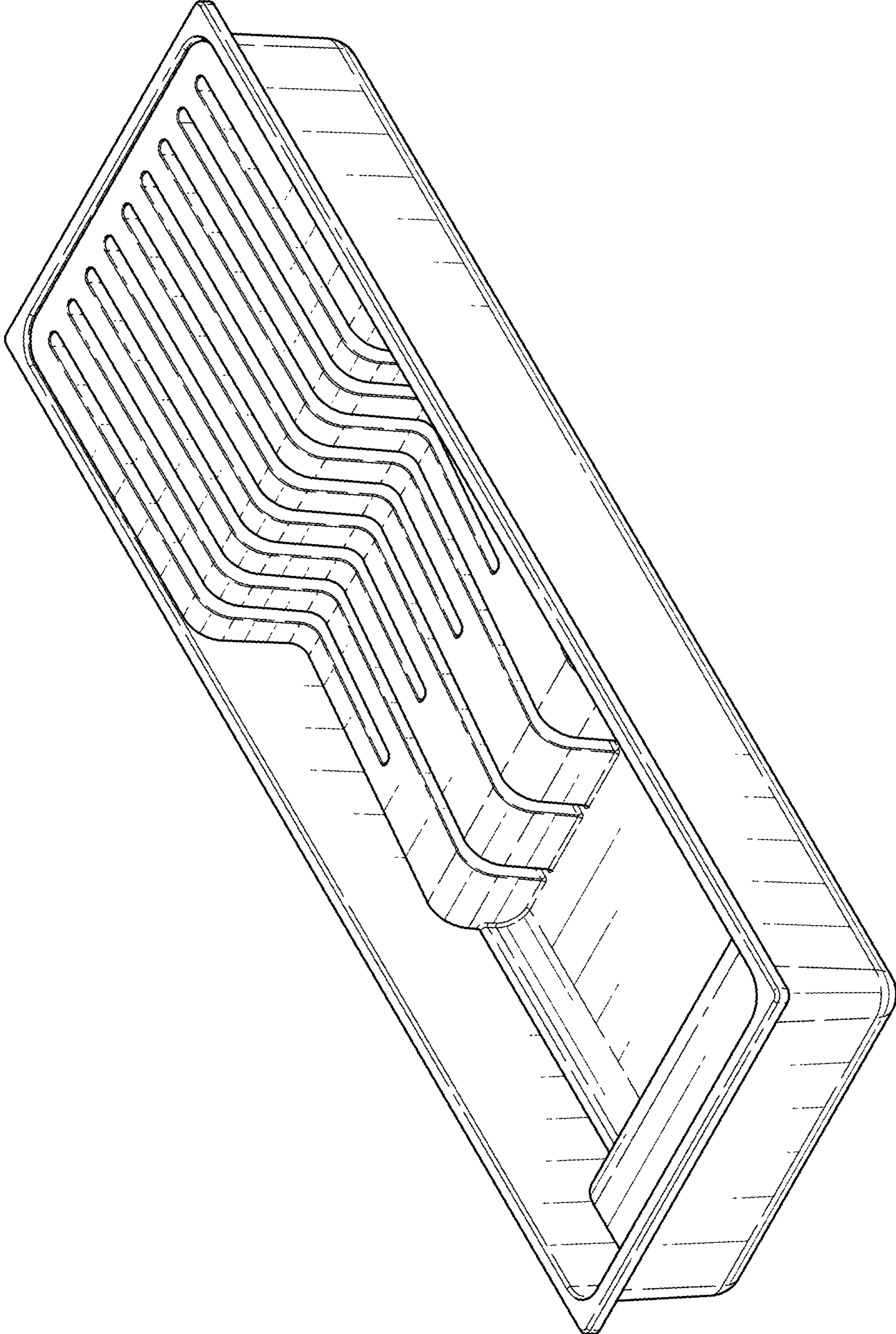


FIG. 6

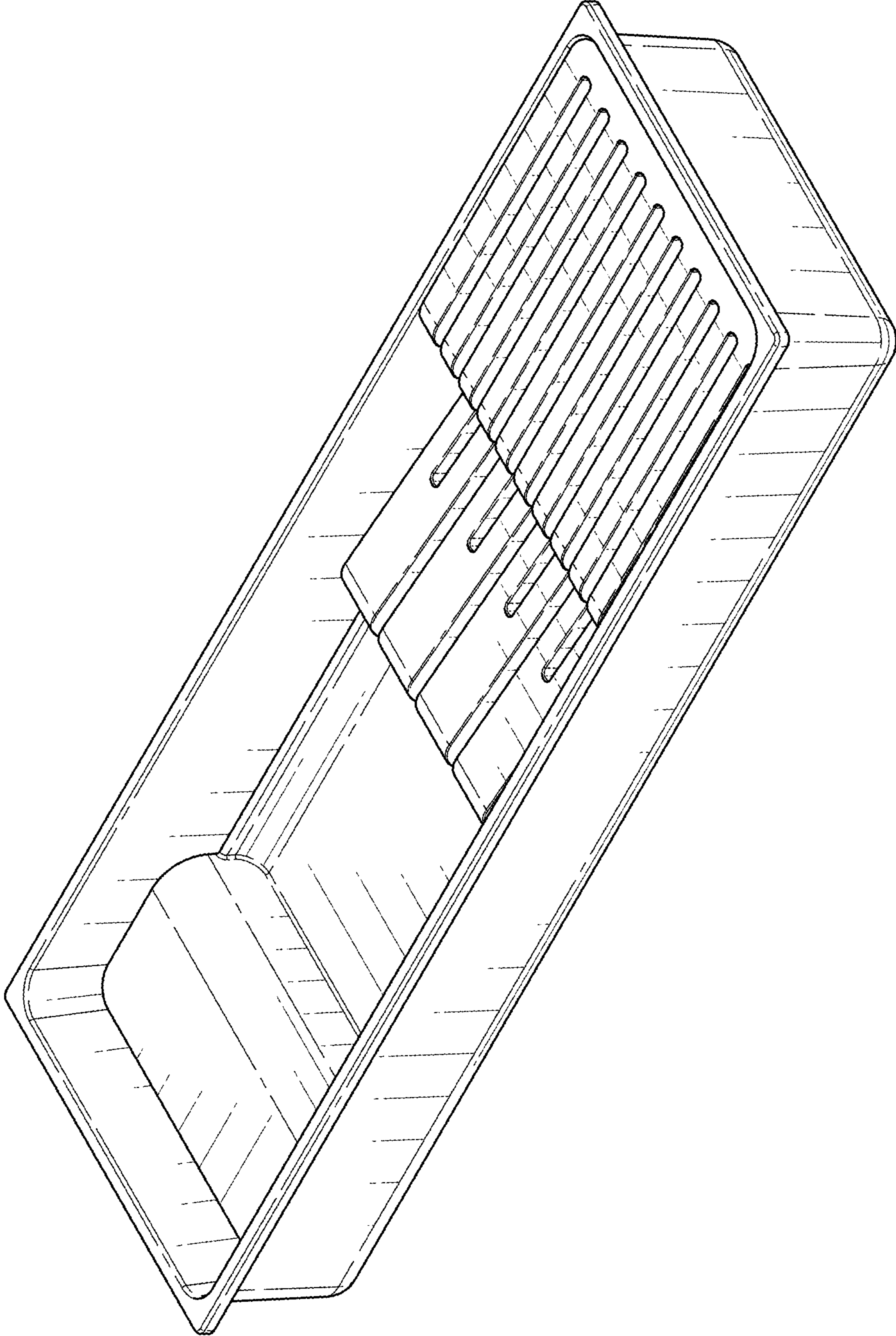


FIG. 7

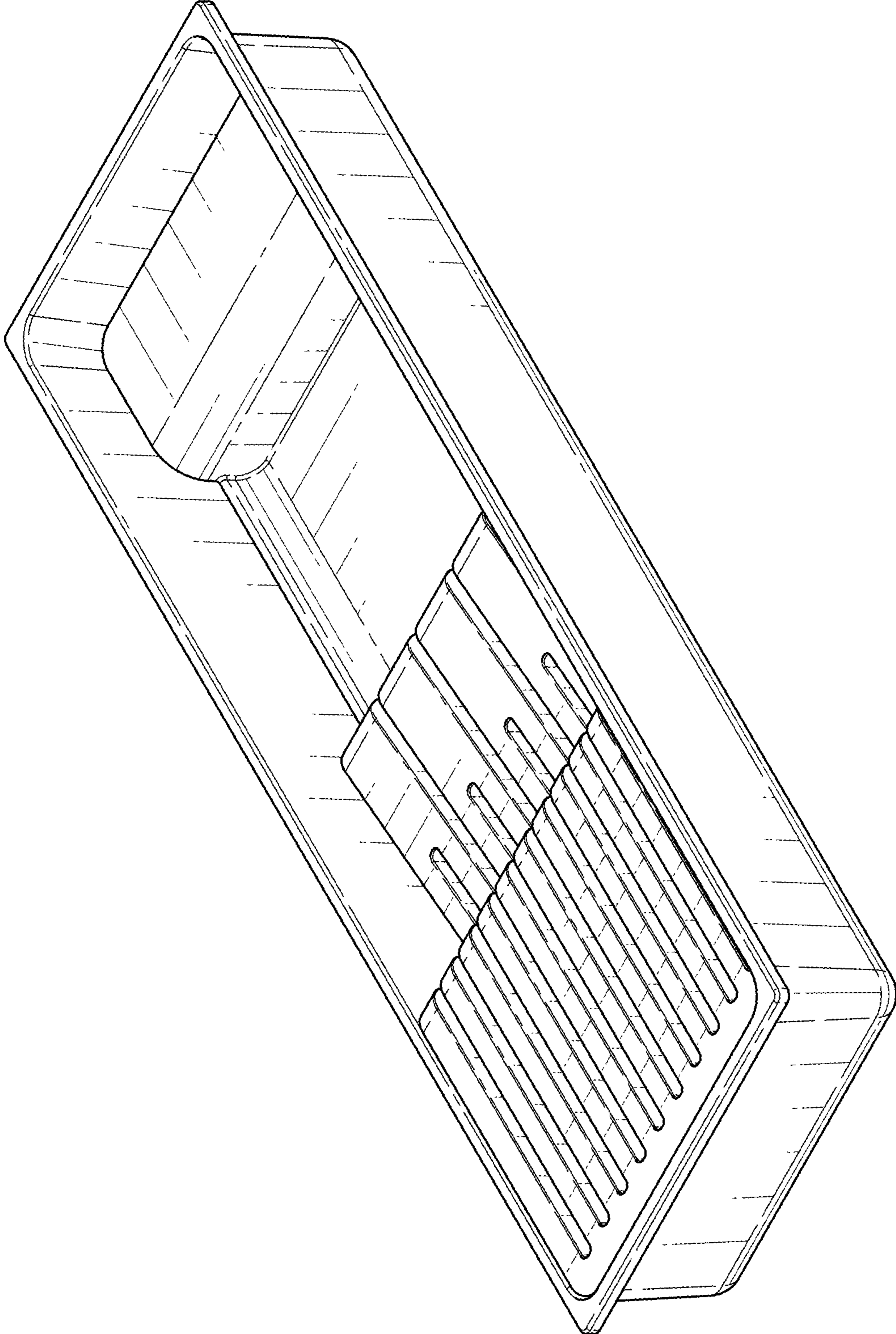


FIG. 8