



US00D971697S

(12) **United States Design Patent** (10) **Patent No.:** **US D971,697 S**
Yan (45) **Date of Patent:** **** Dec. 6, 2022**

(54) **KNIFE HOLDER**

(71) Applicant: **Hongjuan Yan**, Shenzhen (CN)

(72) Inventor: **Hongjuan Yan**, Shenzhen (CN)

(**) Term: **15 Years**

(21) Appl. No.: **29/807,951**

(22) Filed: **Sep. 16, 2021**

(51) **LOC (13) Cl.** **07-99**

(52) **U.S. Cl.**
USPC **D7/637**

(58) **Field of Classification Search**
USPC D7/601, 602, 637-641, 701, 703;
D3/304, 305, 313, 314; D6/706;
D19/77, 81
CPC A47B 77/14; A47B 88/969; A47B 88/975;
A47B 88/988; A47B 88/994; A47B
2088/976; A47G 21/00; A47G 21/14;
A47J 47/16; B65D 1/34; B65D 1/36
See application file for complete search history.

(56) **References Cited**

U.S. PATENT DOCUMENTS

D271,171 S *	11/1983	Kinkade	D7/637
D280,587 S *	9/1985	Carlson	D7/637
D421,879 S *	3/2000	Miller	D7/637
D657,634 S *	4/2012	de Bretton Gordon	D7/637
D731,259 S	6/2015	Fam		
D838,554 S *	1/2019	Thompson	D7/637
D852,003 S *	6/2019	Rüsch	D7/637
D915,154 S *	4/2021	Liu	D7/637

D946,357 S *	3/2022	Yang	A47G 21/14 D7/637
D955,827 S *	6/2022	Liu	D7/637
2004/0148787 A1 *	8/2004	Rosenberg	A47G 21/14 248/37.3

OTHER PUBLICATIONS

Japanese Knife Set, imarku 20-Pieces Premium Kitchen Knife Set, first available Nov. 26, 2021, Amazon, [online], [site visited Jul. 25, 2022], Available from internet URL: <https://www.amazon.com/Japanese-imarku-20-Pieces-Premium-Pull-away/dp/B09MLGKDZ7> (Year: 2021).*

* cited by examiner

Primary Examiner — Mary Ann Calabrese
Assistant Examiner — Natalya M Rapundalo

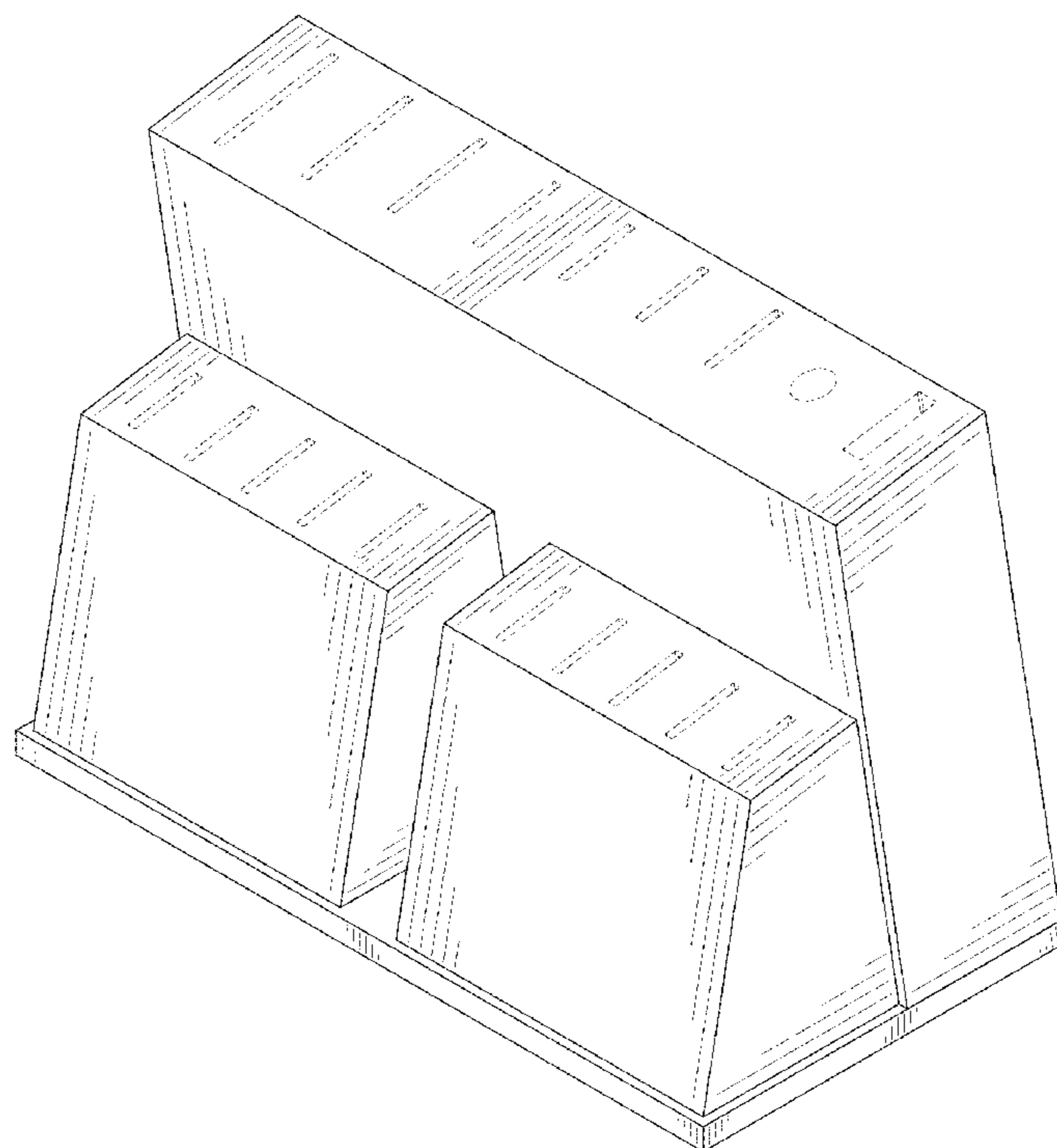
(57) **CLAIM**

The ornamental design for a knife holder, as shown and described.

DESCRIPTION

FIG. 1 is a front and top perspective view of a knife holder, showing my new design;
FIG. 2 is a rear and bottom perspective view thereof;
FIG. 3 is a front elevation view thereof;
FIG. 4 is a rear elevation view thereof;
FIG. 5 is a left side elevation view thereof;
FIG. 6 is a right side elevation view thereof;
FIG. 7 is a top plan view thereof; and,
FIG. 8 is a bottom plan view thereof.
The broken lines in the figures illustrate portions of the knife holder that form no part of the claimed design.

1 Claim, 8 Drawing Sheets



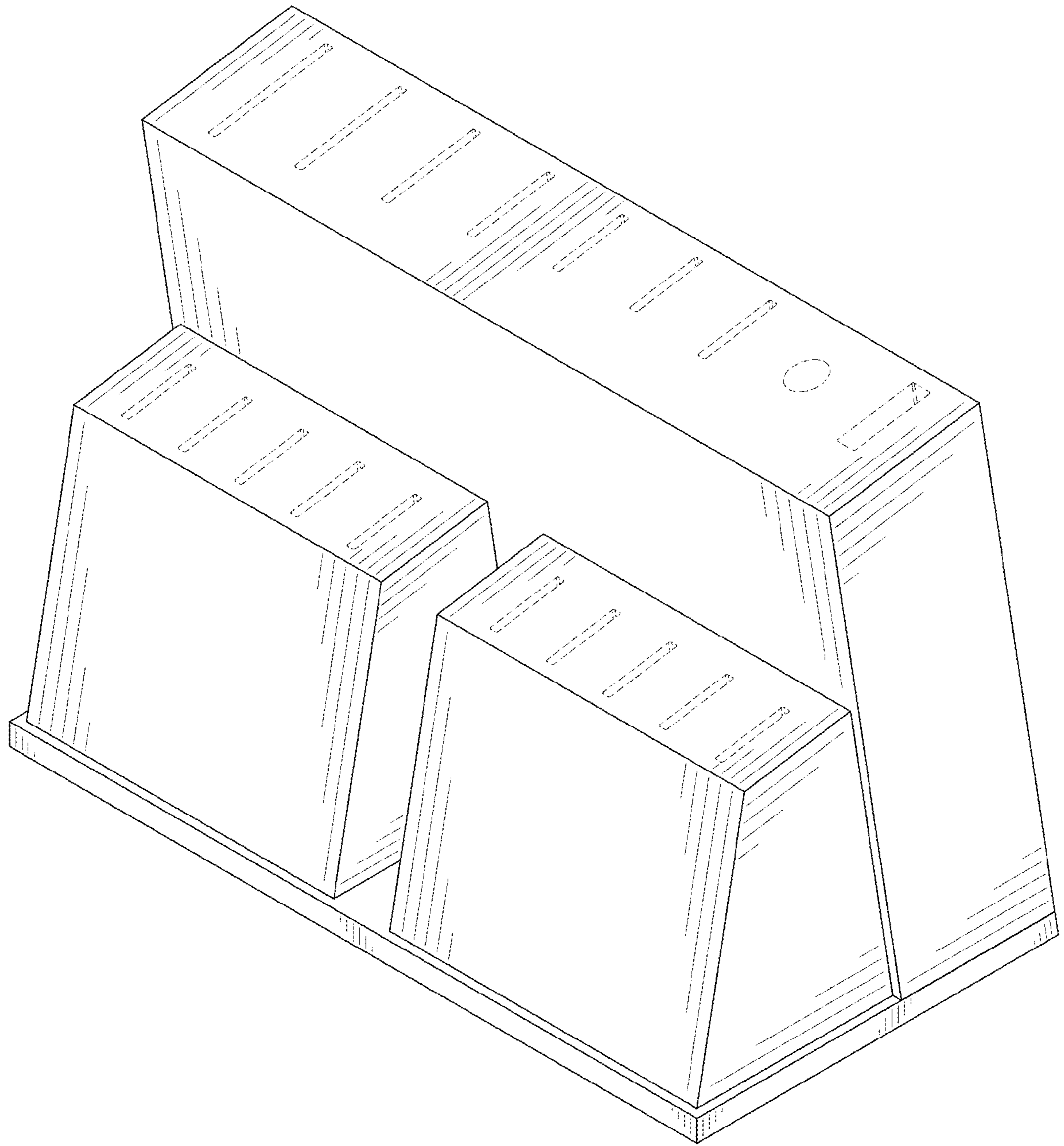


FIG. 1

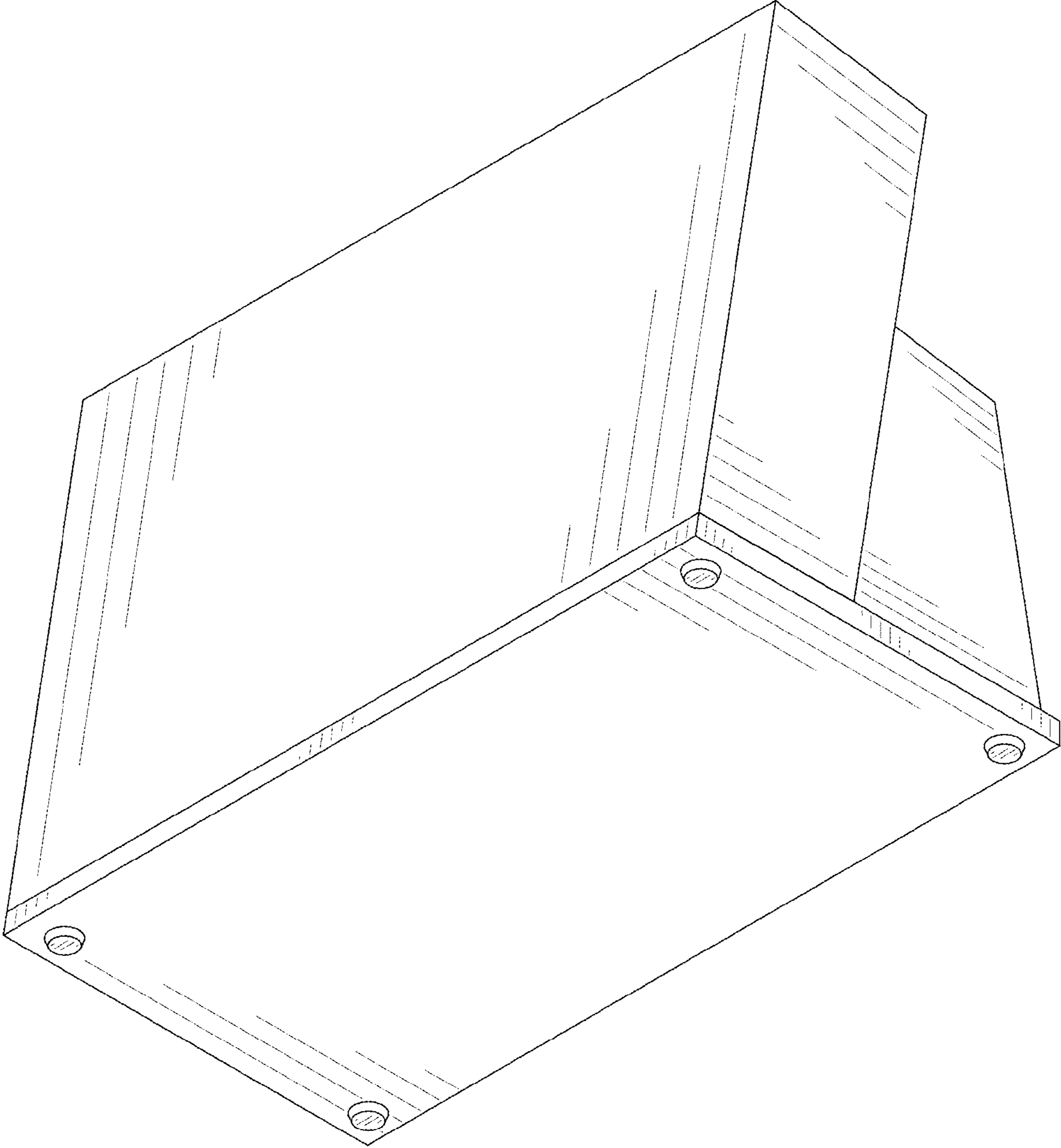


FIG. 2

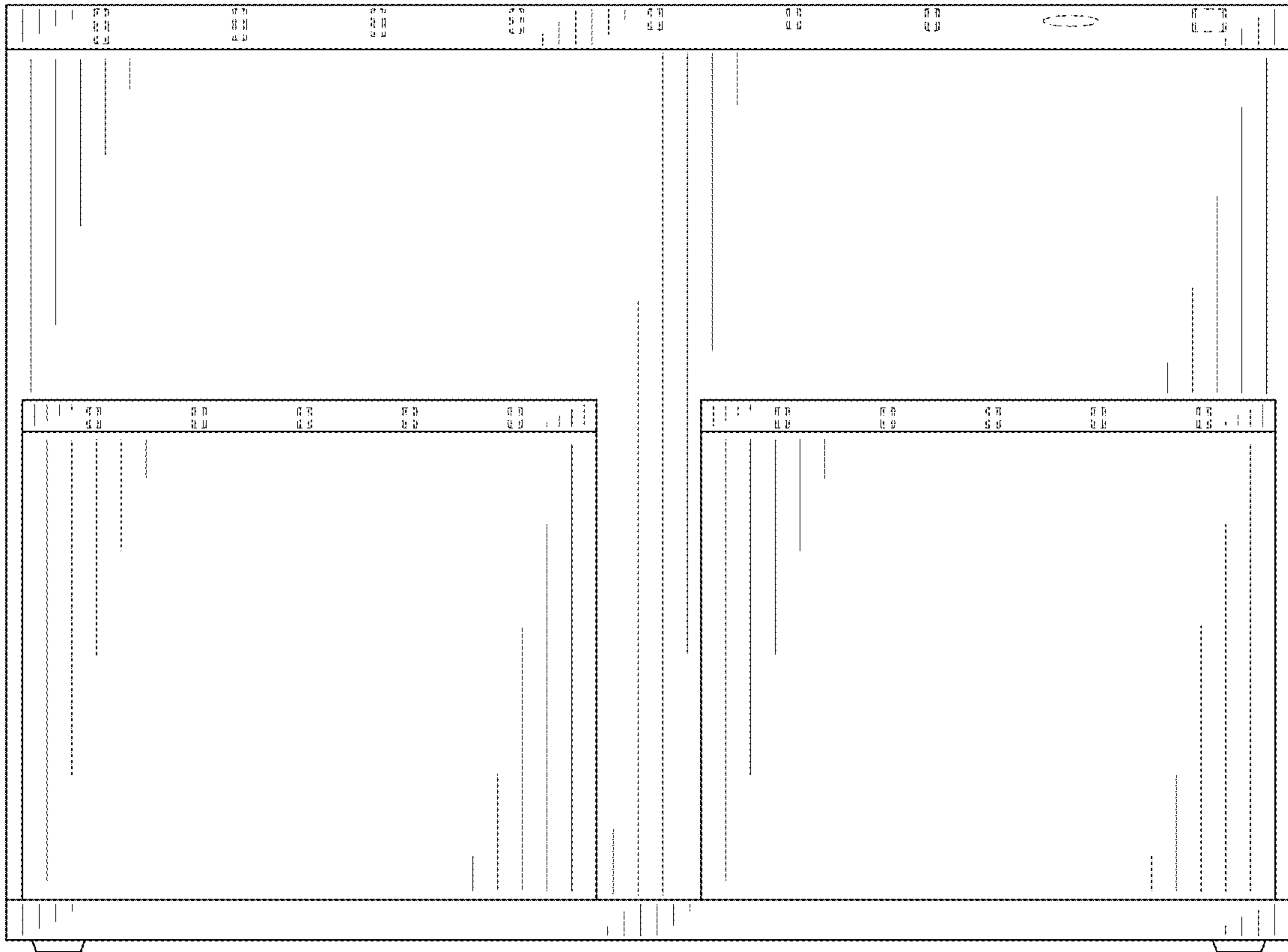


FIG. 3

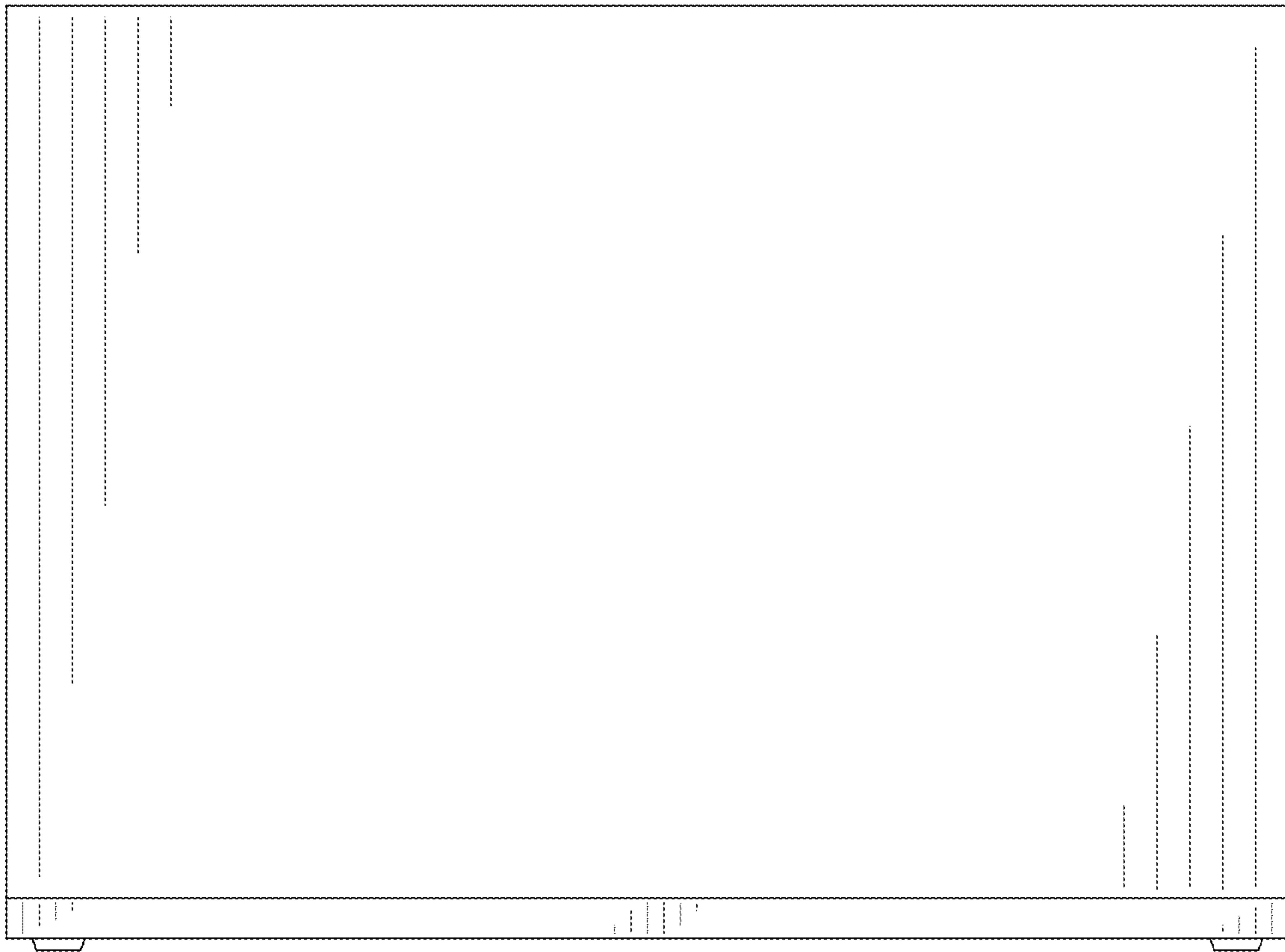


FIG. 4

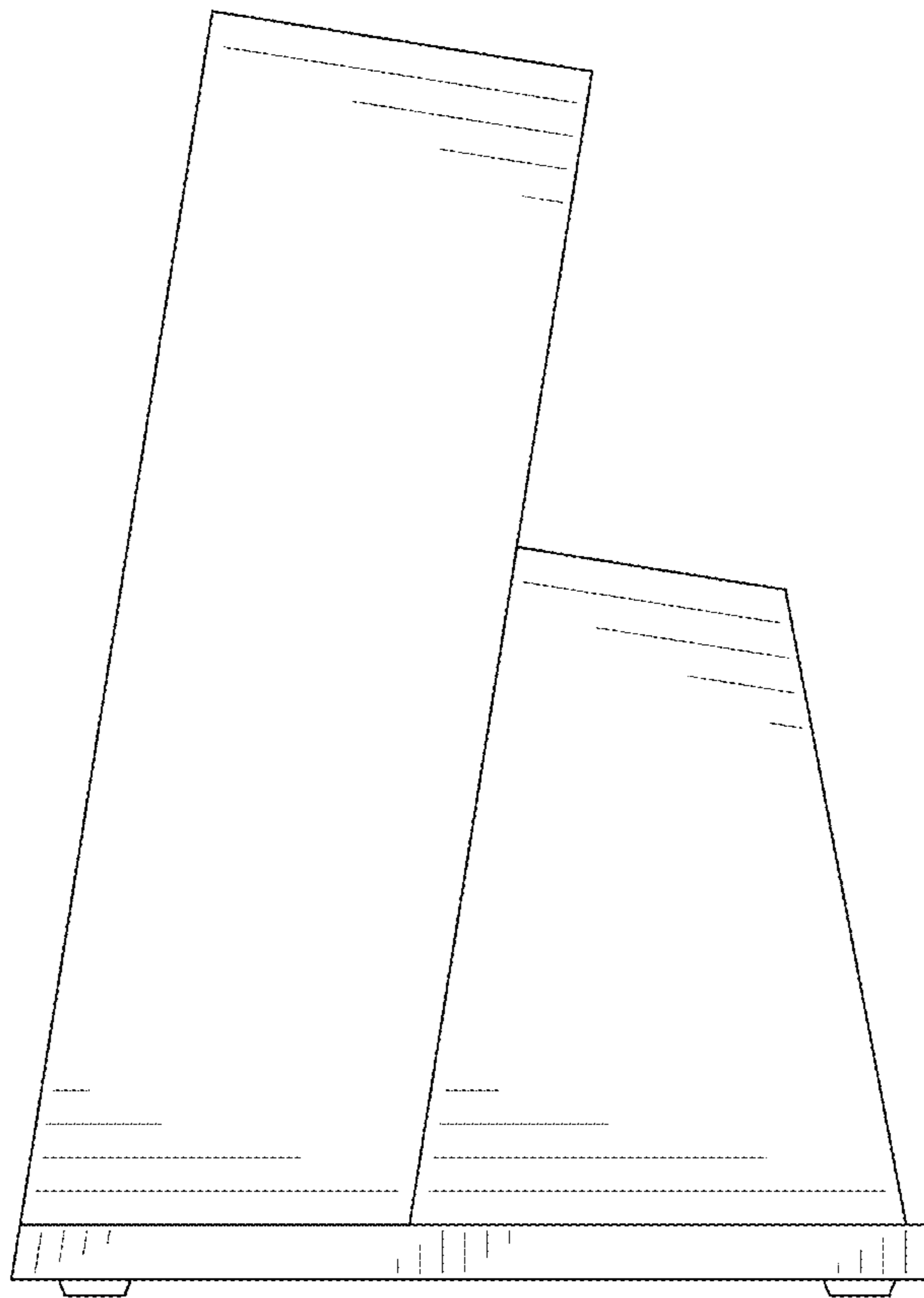


FIG. 5

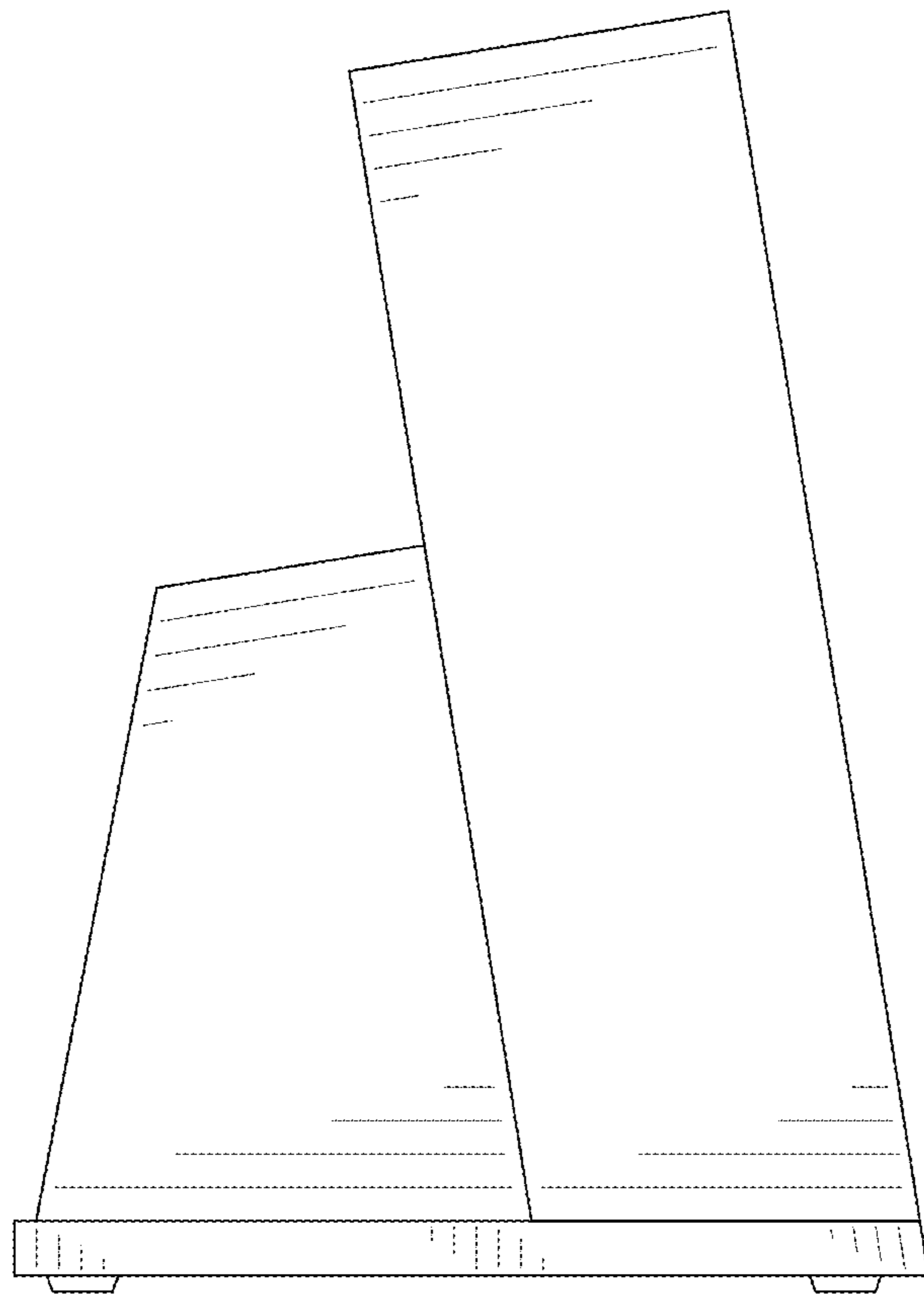


FIG. 6

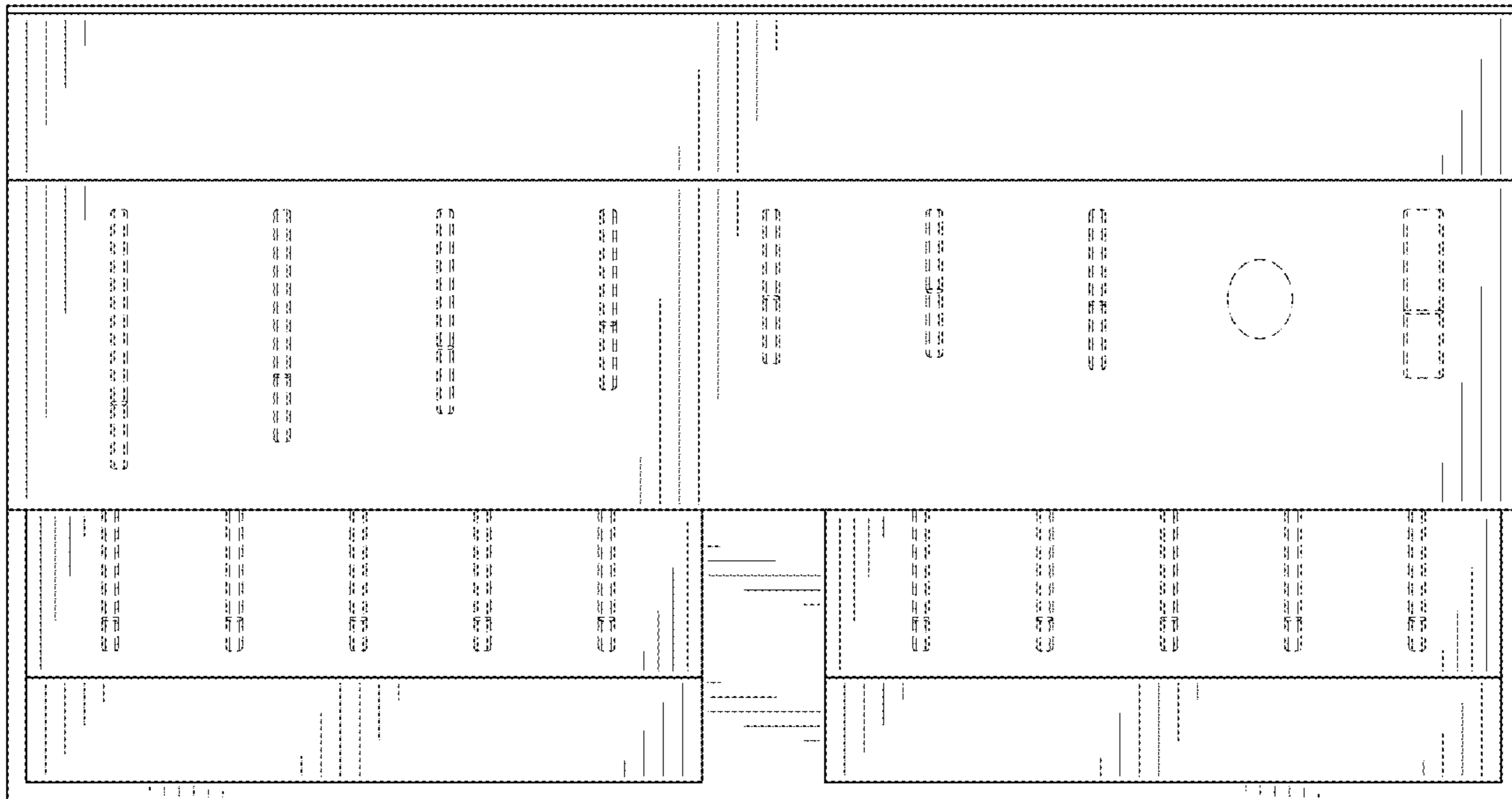


FIG. 7

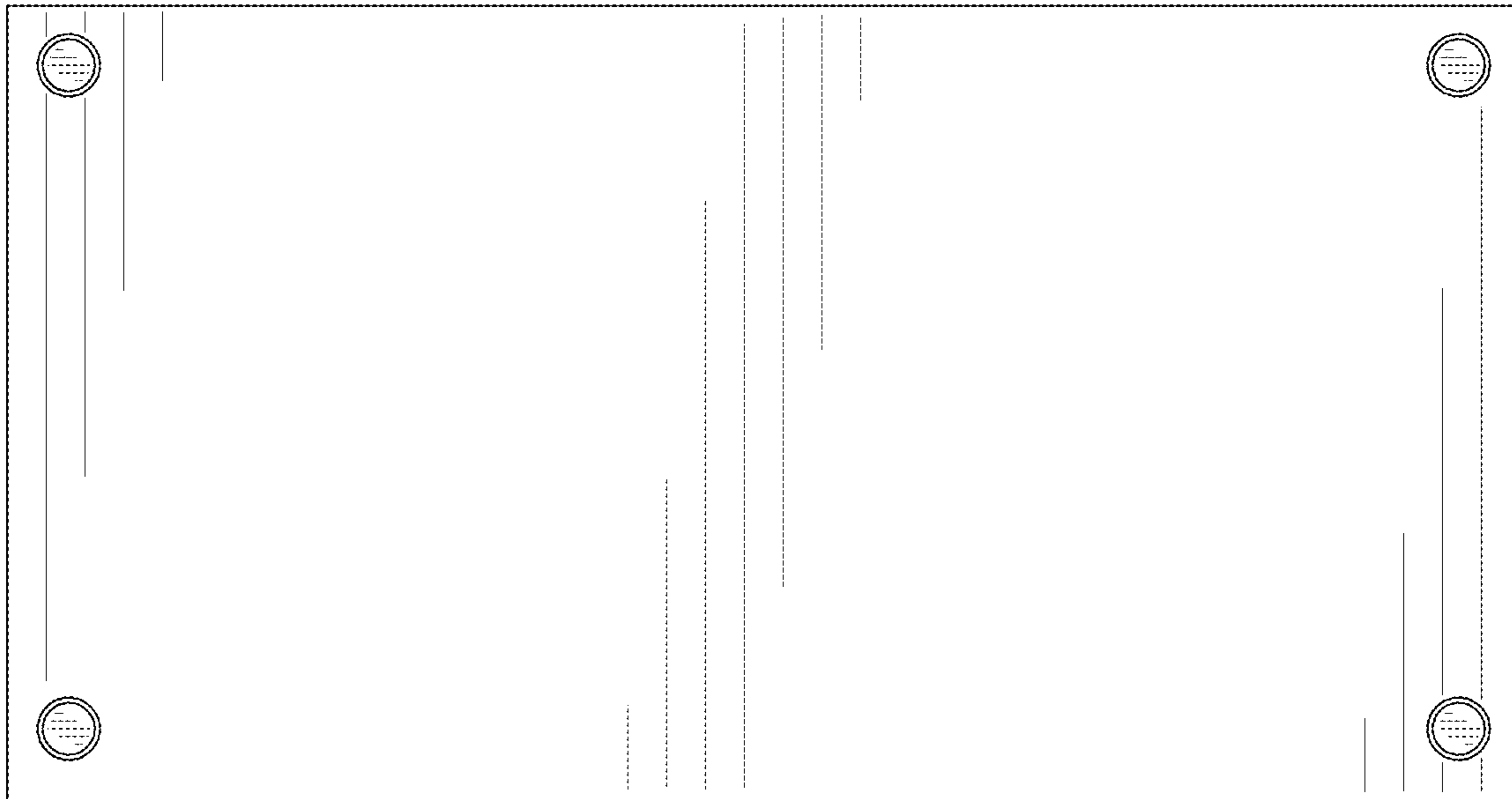


FIG. 8