



US00D971696S

(12) **United States Design Patent** (10) **Patent No.:** **US D971,696 S**  
**Yan** (45) **Date of Patent:** **\*\* Dec. 6, 2022**

(54) **KNIFE HOLDER**

(71) Applicant: **Hongjuan Yan**, Shenzhen (CN)

(72) Inventor: **Hongjuan Yan**, Shenzhen (CN)

(\*\*) Term: **15 Years**

(21) Appl. No.: **29/807,949**

(22) Filed: **Sep. 16, 2021**

(51) **LOC (13) Cl.** ..... **07-99**

(52) **U.S. Cl.**  
USPC ..... **D7/637**

(58) **Field of Classification Search**  
USPC ..... D7/601, 602, 637-641, 701, 703;  
D3/304, 305, 313, 314; D6/706;  
D19/77, 81  
CPC ..... A47B 77/14; A47B 88/969; A47B 88/975;  
A47B 88/988; A47B 88/994; A47B  
2088/976; A47G 21/00; A47G 21/14;  
A47J 47/16; B65D 1/34; B65D 1/36  
See application file for complete search history.

(56) **References Cited**

**U.S. PATENT DOCUMENTS**

D382,773 S *	8/1997	Cohen .....	D7/637
D414,086 S *	9/1999	Ancona .....	D7/637
D517,377 S *	3/2006	Tetreault .....	D7/637
D731,259 S	6/2015	Fam	
D800,512 S *	10/2017	Liu .....	D7/637
D805,858 S *	12/2017	Liu .....	D7/637
D852,003 S *	6/2019	Rüsch .....	D7/637
D941,640 S *	1/2022	Lin .....	D7/637
D943,359 S *	2/2022	Ko .....	A47J 43/28 D7/637

D955,827 S *	6/2022	Liu .....	A47G 21/14 D7/637
2006/0117575 A1*	6/2006	Tetreault .....	A47G 21/14 30/298.4
2017/0367512 A1*	12/2017	Khademhosseini ....	A47J 43/28

**OTHER PUBLICATIONS**

DALSTRONG Knife Block Set, first available Dec. 16, 2021, Amazon, [online], [site visited Jul. 25, 2022], Available from internet URL: <https://www.amazon.com/DALSTRONG-Knife-Block-Set-7CR17MOV-X/dp/B08QTVQY8G> (Year: 2021).\*

\* cited by examiner

*Primary Examiner* — Mary Ann Calabrese  
*Assistant Examiner* — Natalya M Rapundalo

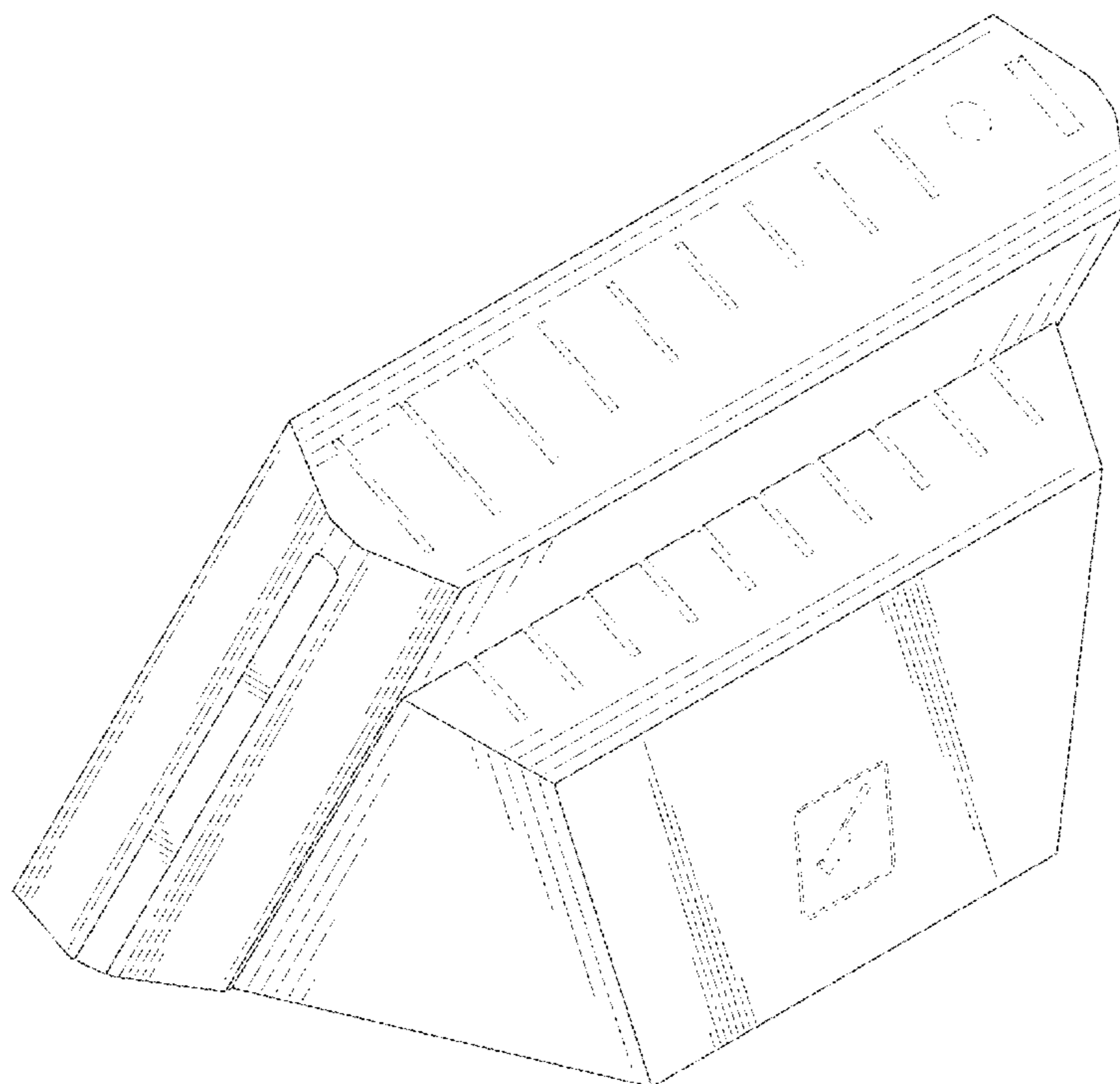
(57) **CLAIM**

The ornamental design for a knife holder, as shown and described.

**DESCRIPTION**

FIG. 1 is a front and top perspective view of a knife holder, showing my new design;  
FIG. 2 is a rear and bottom perspective view thereof;  
FIG. 3 is a front elevation view thereof;  
FIG. 4 is a rear elevation view thereof;  
FIG. 5 is a left side elevation view thereof;  
FIG. 6 is a right side elevation view thereof;  
FIG. 7 is a top plan view thereof; and,  
FIG. 8 is a bottom plan view thereof.  
The broken lines in the figures illustrate portions of the knife holder that form no part of the claimed design.

**1 Claim, 8 Drawing Sheets**



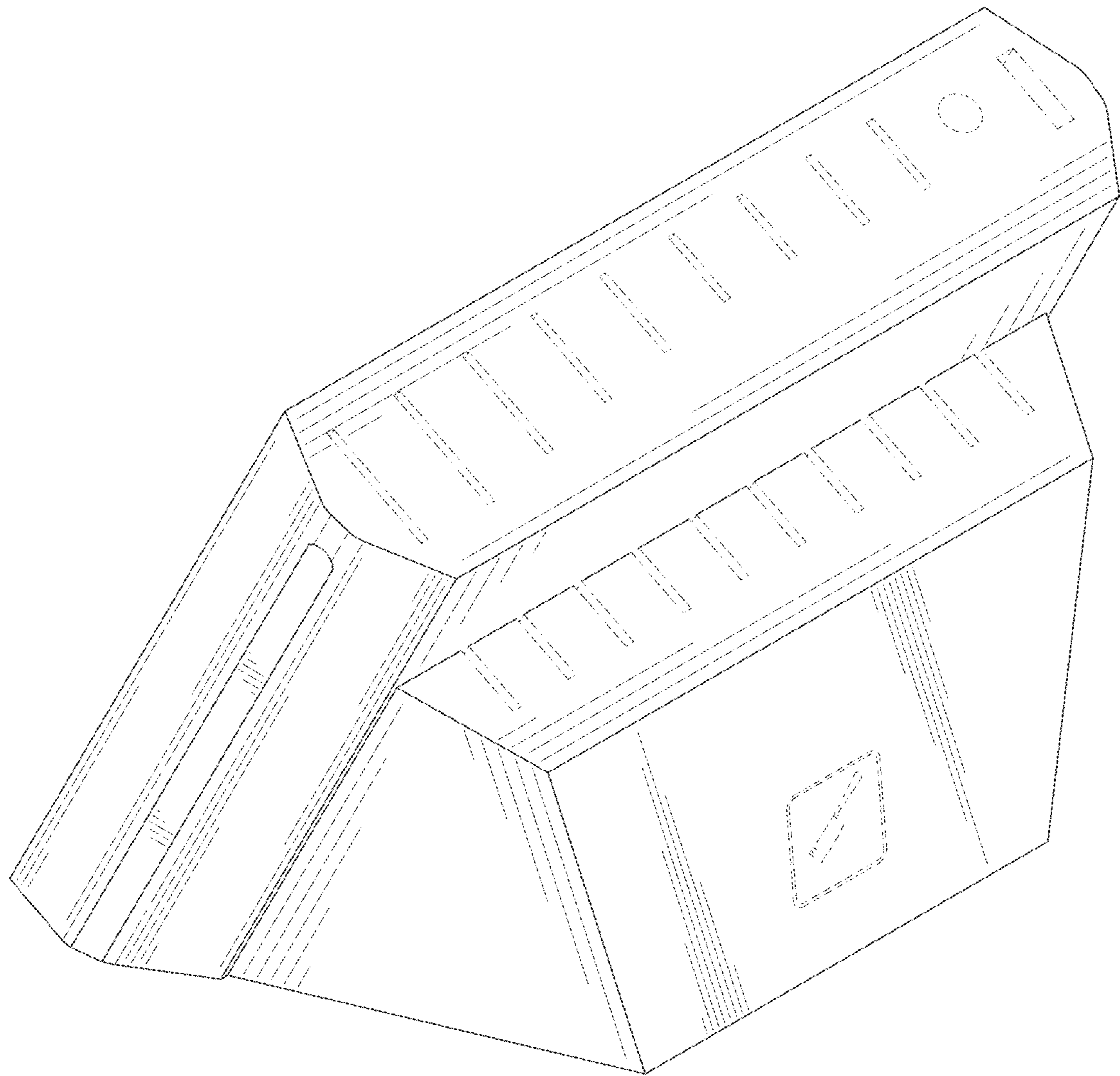


FIG. 1

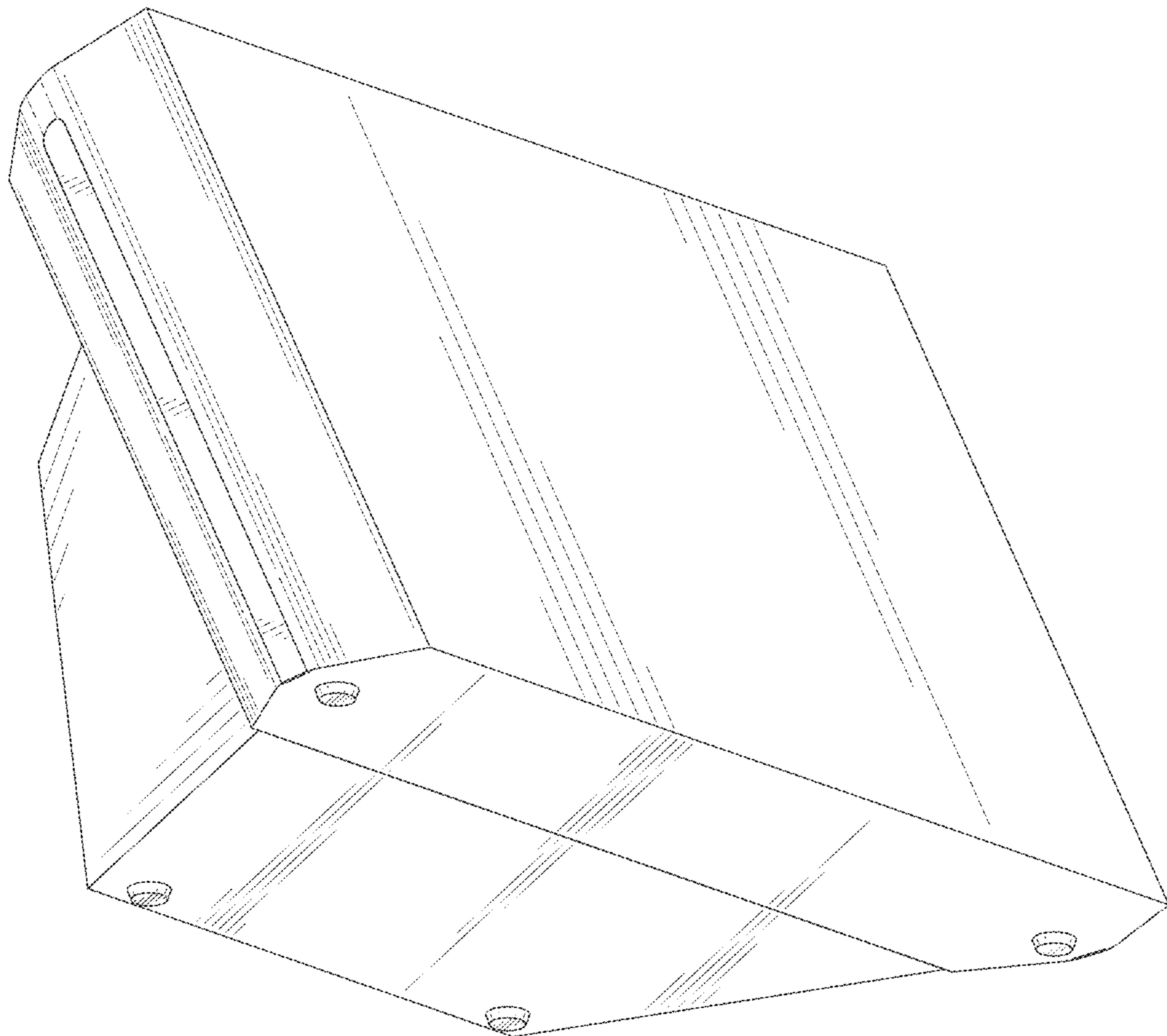


FIG. 2

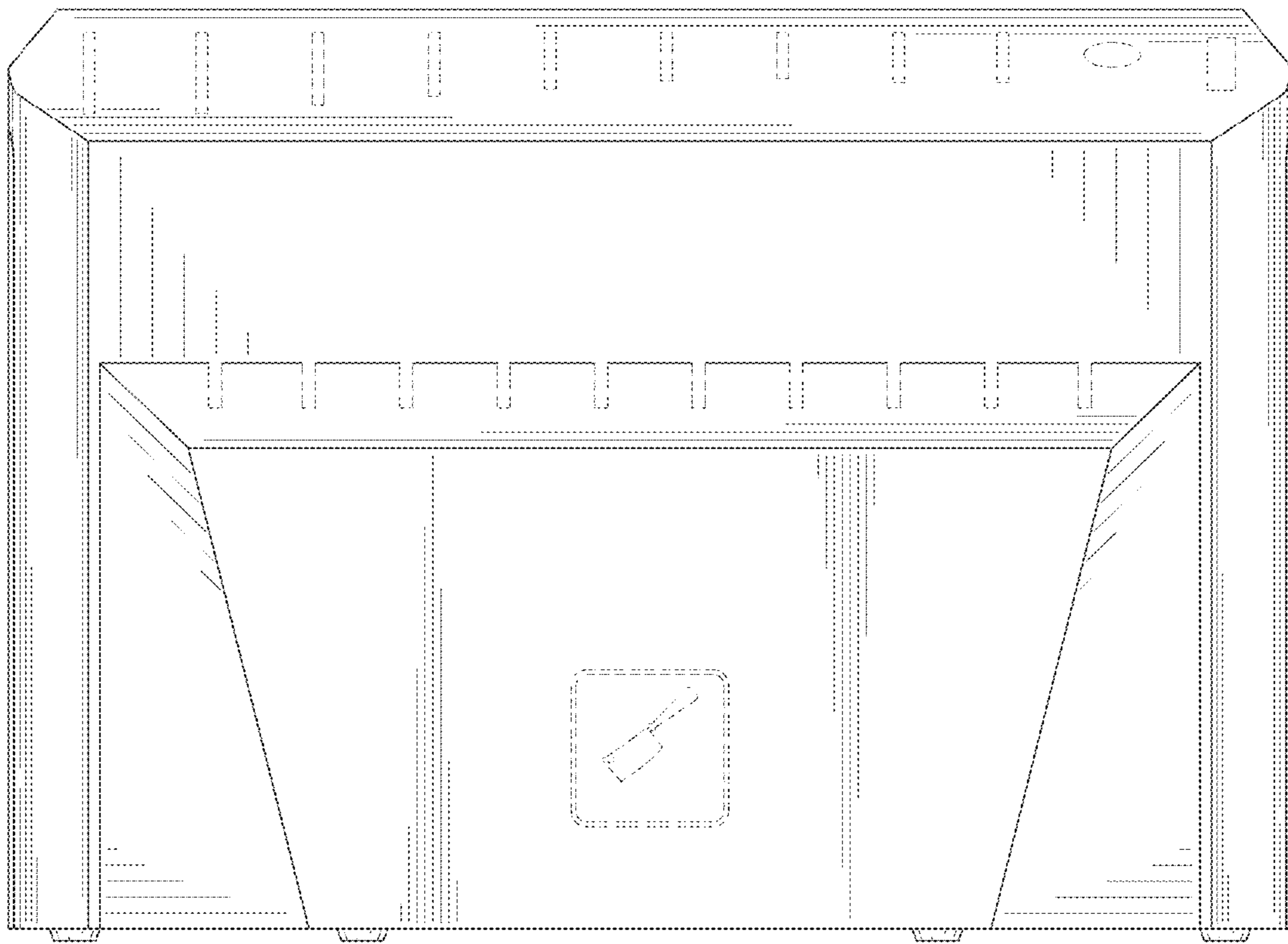


FIG. 3

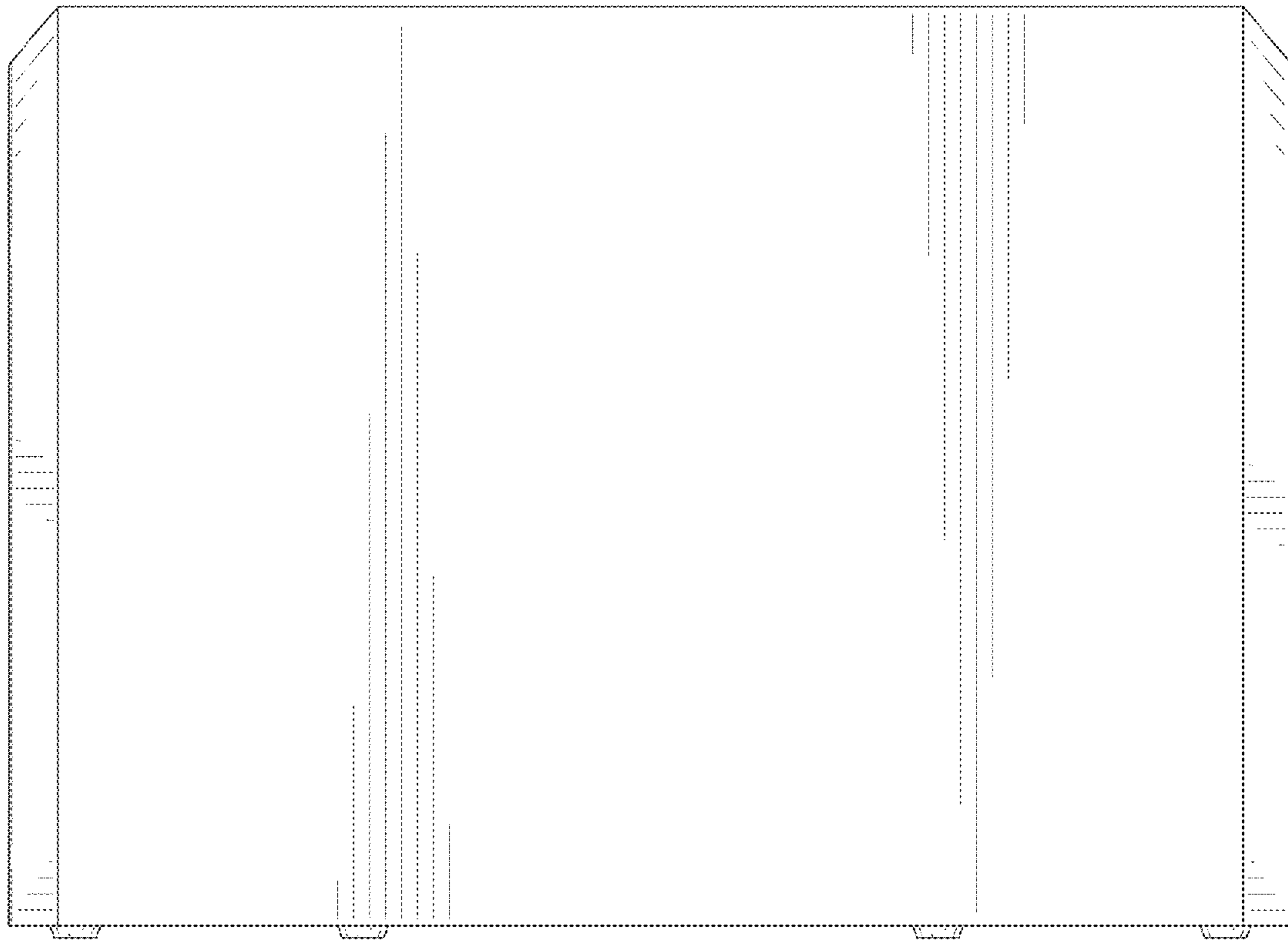


FIG. 4

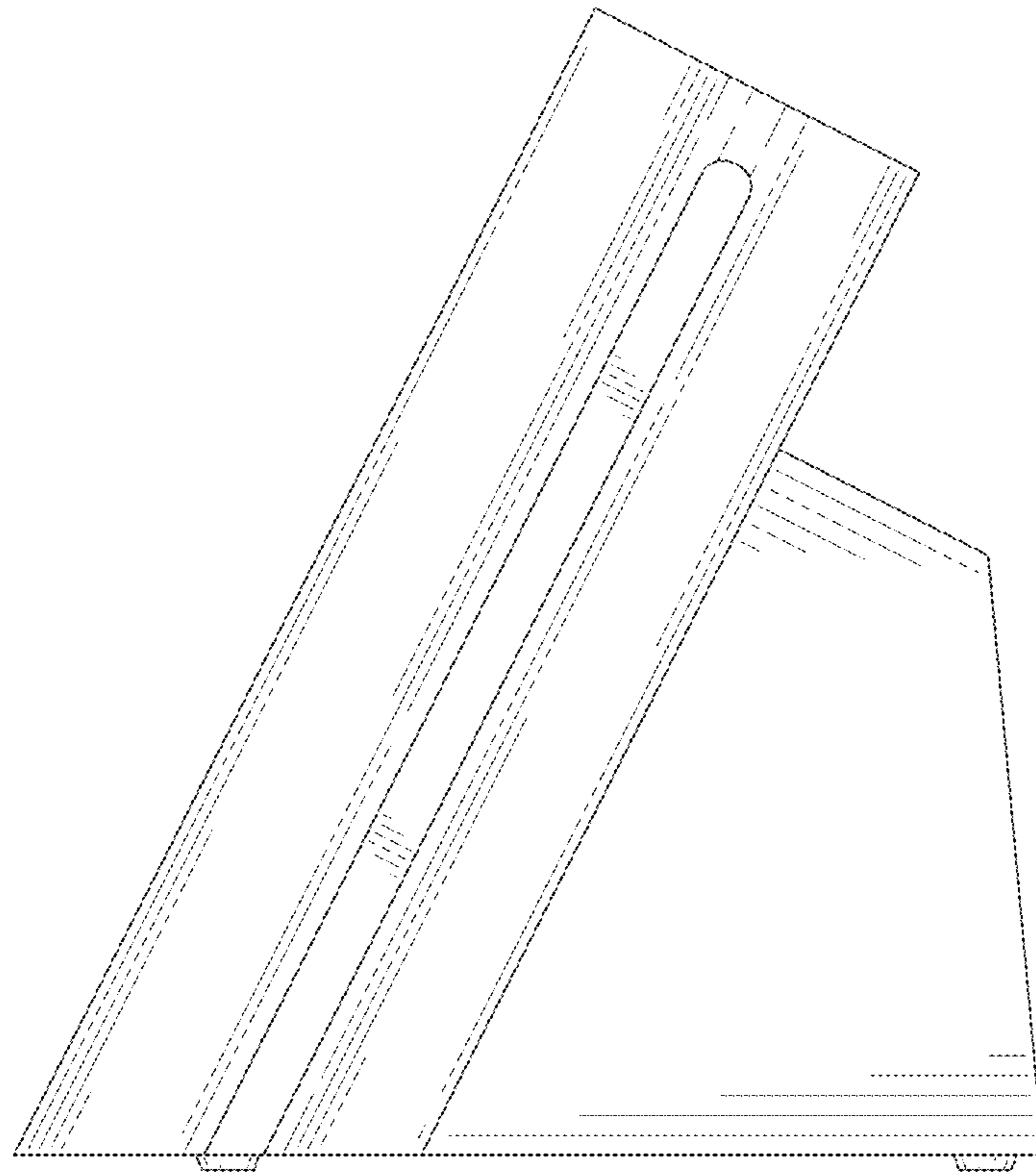


FIG. 5

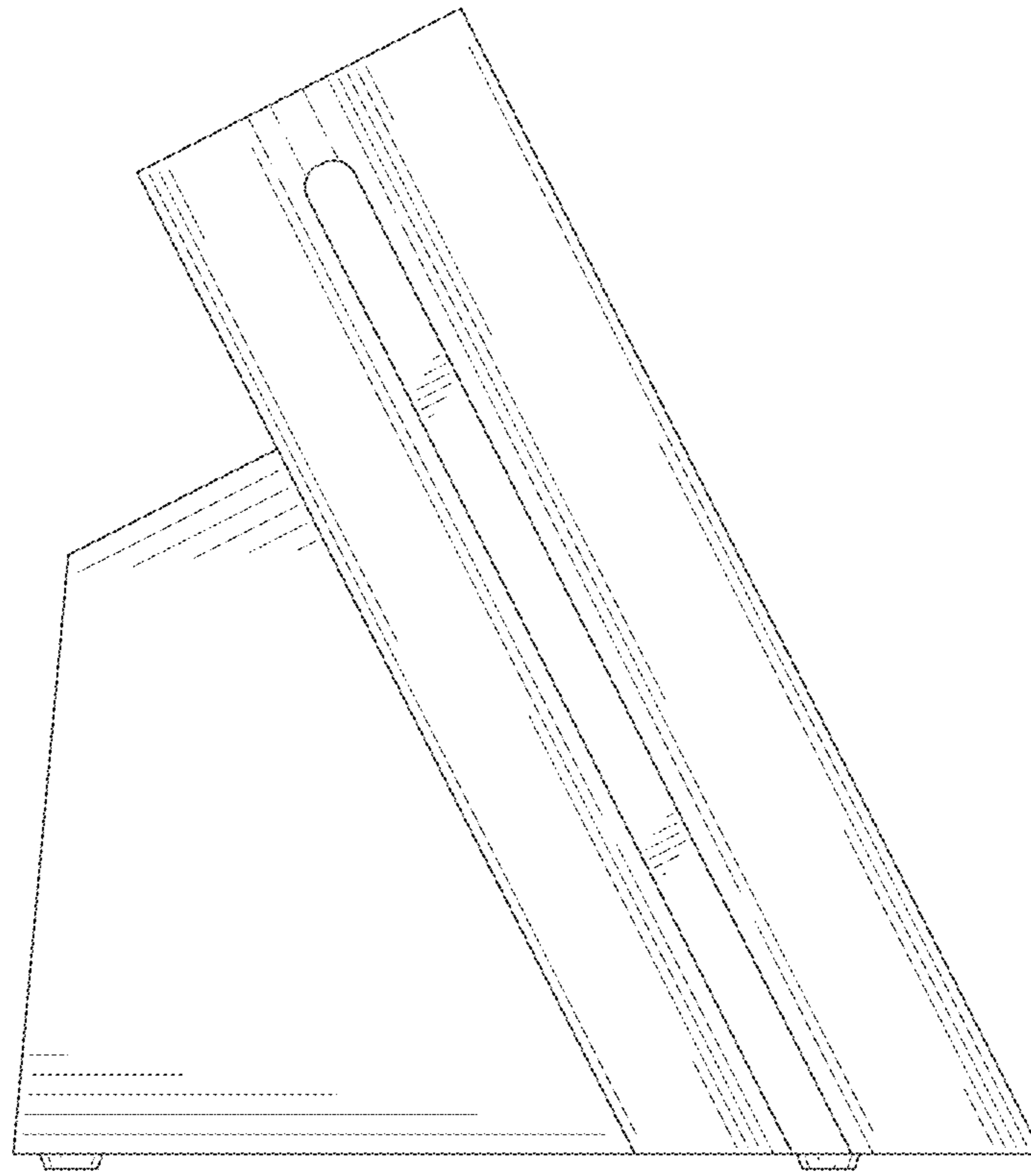


FIG. 6

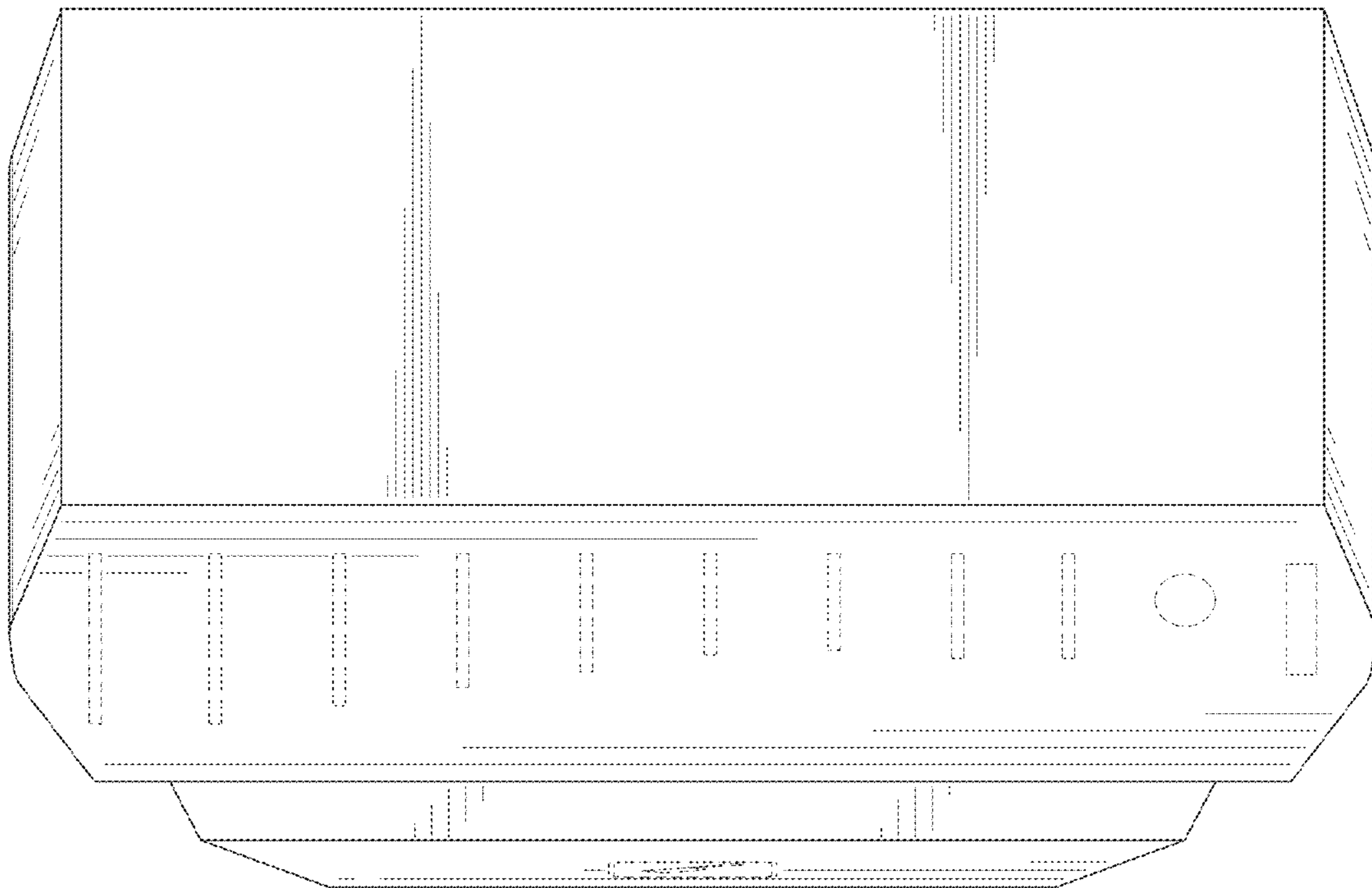


FIG. 7



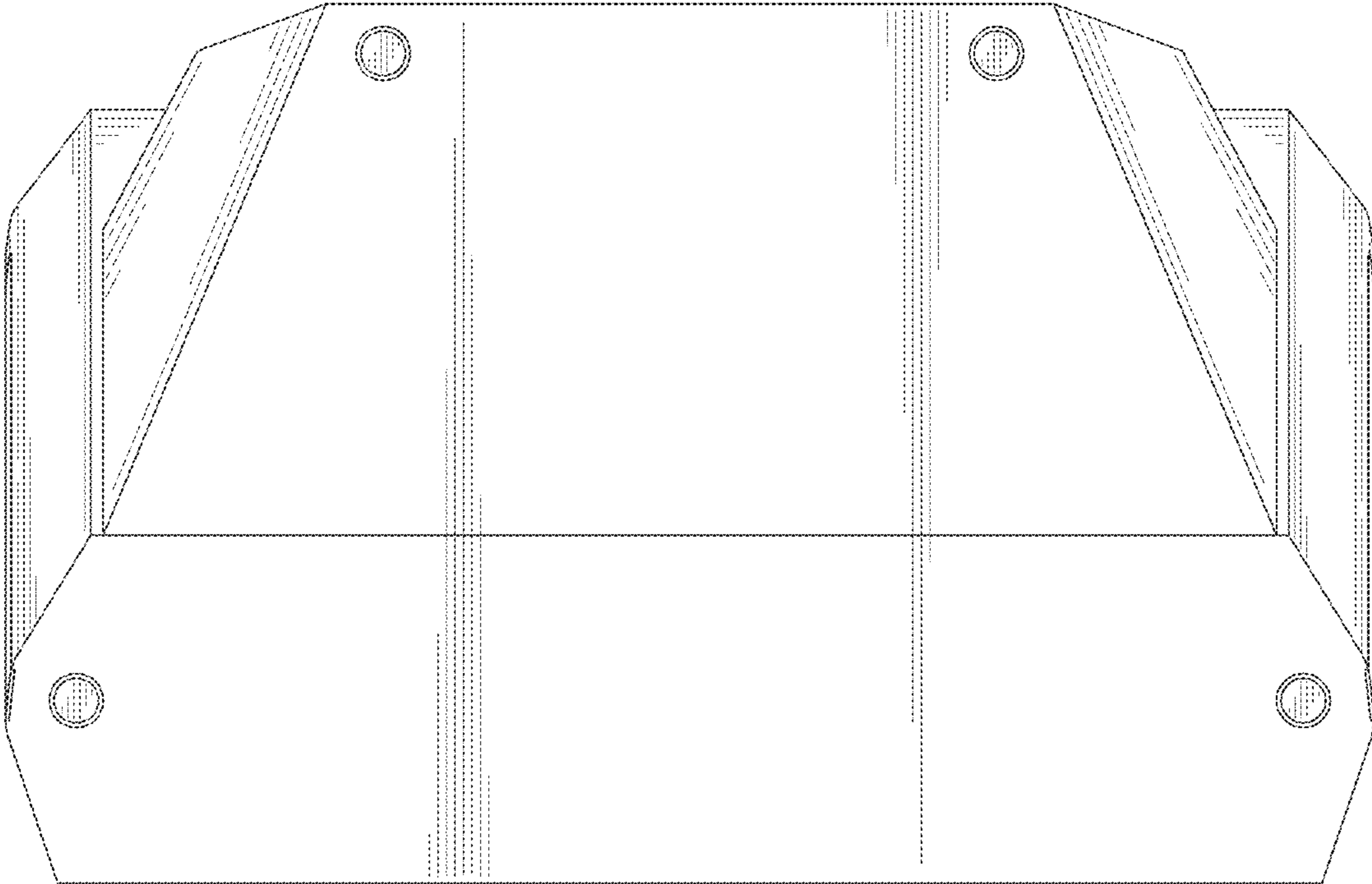


FIG. 8