



US00D971695S

(12) **United States Design Patent**  
**Yan**

(10) **Patent No.:** **US D971,695 S**  
(45) **Date of Patent:** **\*\* Dec. 6, 2022**

(54) **KNIFE HOLDER**

(71) Applicant: **Hongjuan Yan**, Shenzhen (CN)

(72) Inventor: **Hongjuan Yan**, Shenzhen (CN)

(\*\*) Term: **15 Years**

(21) Appl. No.: **29/807,948**

(22) Filed: **Sep. 16, 2021**

(51) **LOC (13) Cl.** ..... **07-99**

(52) **U.S. Cl.**  
USPC ..... **D7/637**

(58) **Field of Classification Search**  
USPC ..... D7/601, 602, 637-641, 701, 703;  
D3/304, 305, 313, 314; D6/706;  
D19/77, 81  
CPC ..... A47B 77/14; A47B 88/969; A47B 88/975;  
A47B 88/988; A47B 88/994; A47B  
2088/976; A47G 21/00; A47G 21/14;  
A47J 47/16; B65D 1/34; B65D 1/36  
See application file for complete search history.

(56) **References Cited**

**U.S. PATENT DOCUMENTS**

D382,773 S *	8/1997	Cohen	.....	D7/637
D414,086 S *	9/1999	Ancona	.....	D7/637
D517,377 S *	3/2006	Tetreault	.....	D7/637
D646,935 S *	10/2011	Hatch	.....	D7/637
D731,259 S	6/2015	Bucks		
D807,713 S *	1/2018	Liu	.....	D7/637
D852,003 S *	6/2019	Rüsch	.....	D7/637
D886,546 S *	6/2020	Green	.....	D7/637
D886,554 S *	6/2020	Dunne	.....	D7/640
D941,640 S *	1/2022	Lin	.....	D7/637

D943,359 S *	2/2022	Ko	.....	D7/637
D955,826 S *	6/2022	Liu	.....	D7/637
D955,827 S *	6/2022	Liu	.....	A47G 21/14
				D7/637
2015/0257563 A1 *	9/2015	Ludeman	.....	A47G 21/14
				29/428

**OTHER PUBLICATIONS**

Tuo Knife Set, first available Jul. 15, 2020, Amazon, [online], [site visited Jul. 25, 2022], Available from internet URL: <https://www.amazon.com/TUO-Knife-Set-Kitchen-Ergonomic/dp/B08CZDF6XG> (Year: 2020).\*

\* cited by examiner

*Primary Examiner* — Mary Ann Calabrese  
*Assistant Examiner* — Natalya M Rapundalo

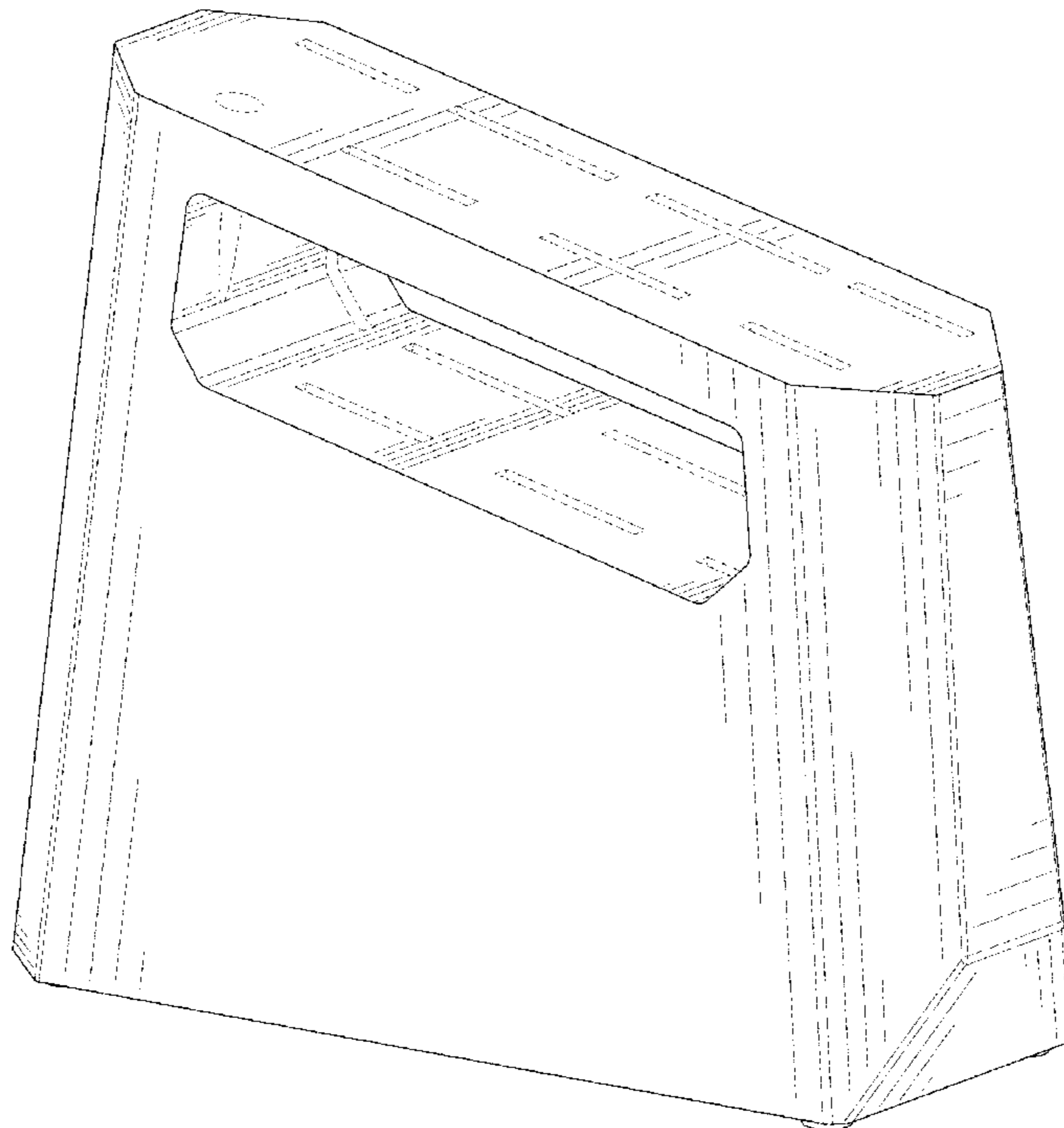
(57) **CLAIM**

The ornamental design for a knife holder, as shown and described.

**DESCRIPTION**

FIG. 1 is a front and top perspective view of a knife holder, showing my new design;  
FIG. 2 is a rear and bottom perspective view thereof;  
FIG. 3 is a front elevation view thereof;  
FIG. 4 is a rear elevation view thereof;  
FIG. 5 is a left side elevation view thereof;  
FIG. 6 is a right side elevation view thereof;  
FIG. 7 is a top plan view thereof; and,  
FIG. 8 is a bottom plan view thereof.  
The broken lines in the figures illustrate portions of the knife holder that form no part of the claimed design.

**1 Claim, 8 Drawing Sheets**



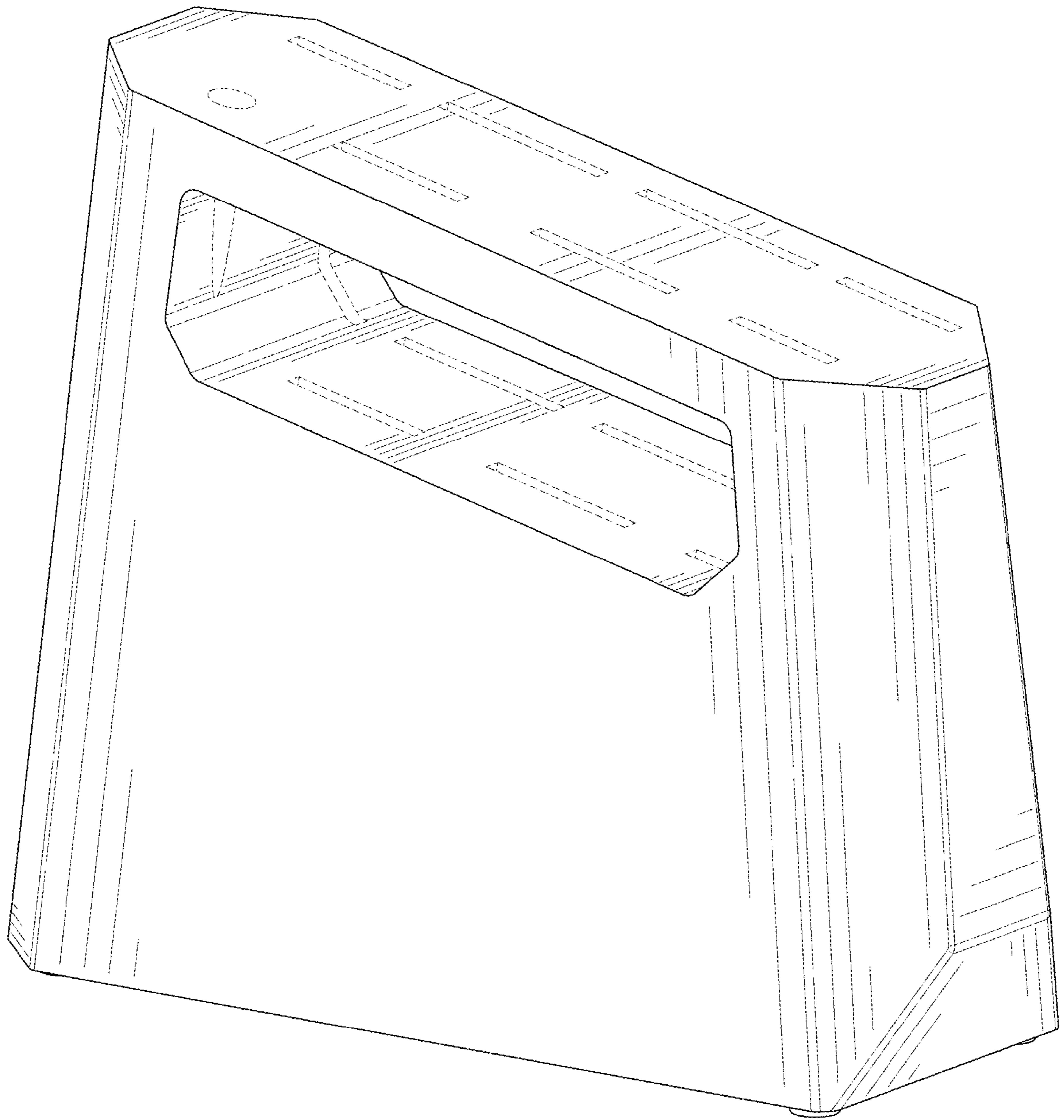


FIG. 1

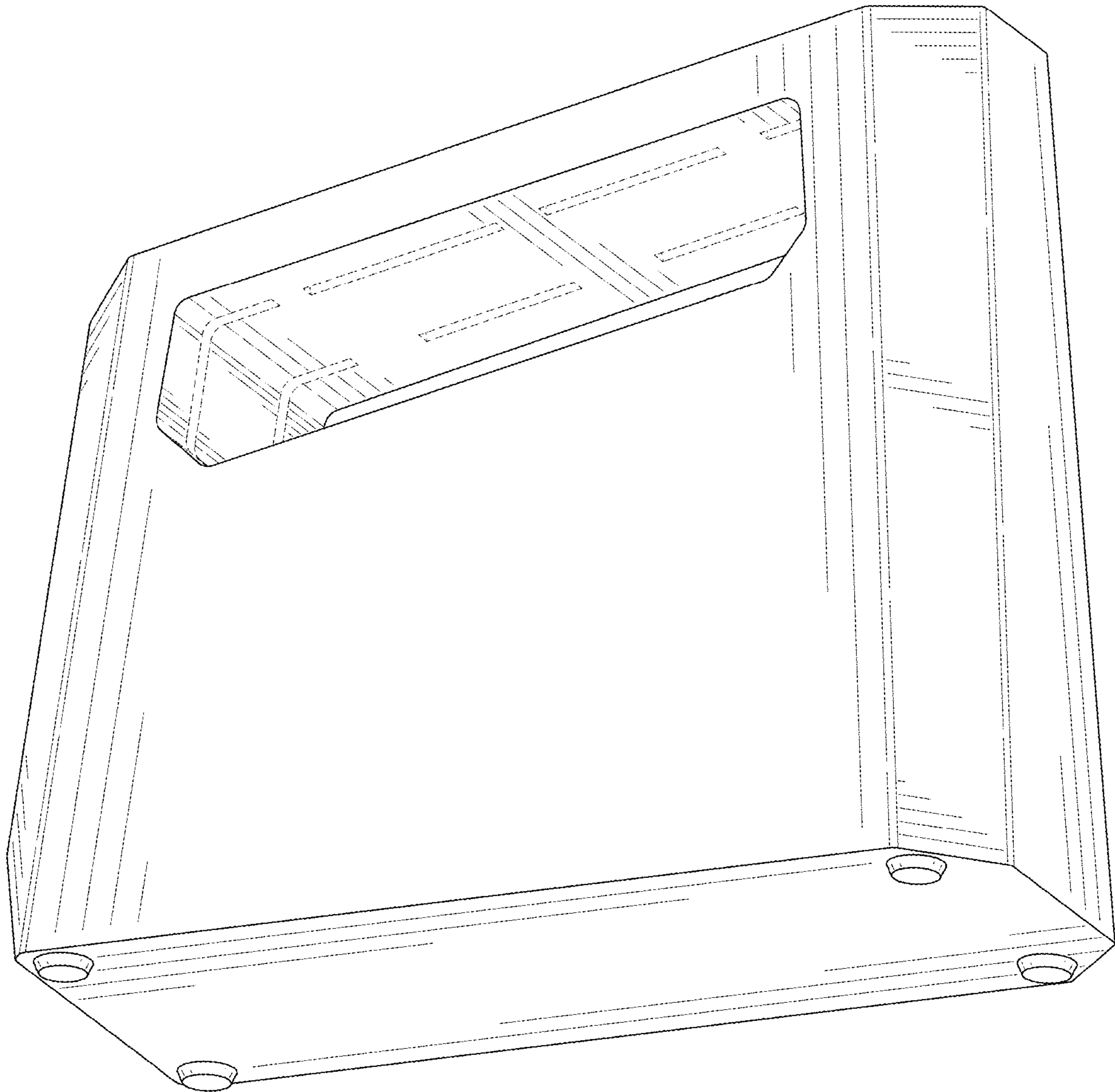


FIG. 2

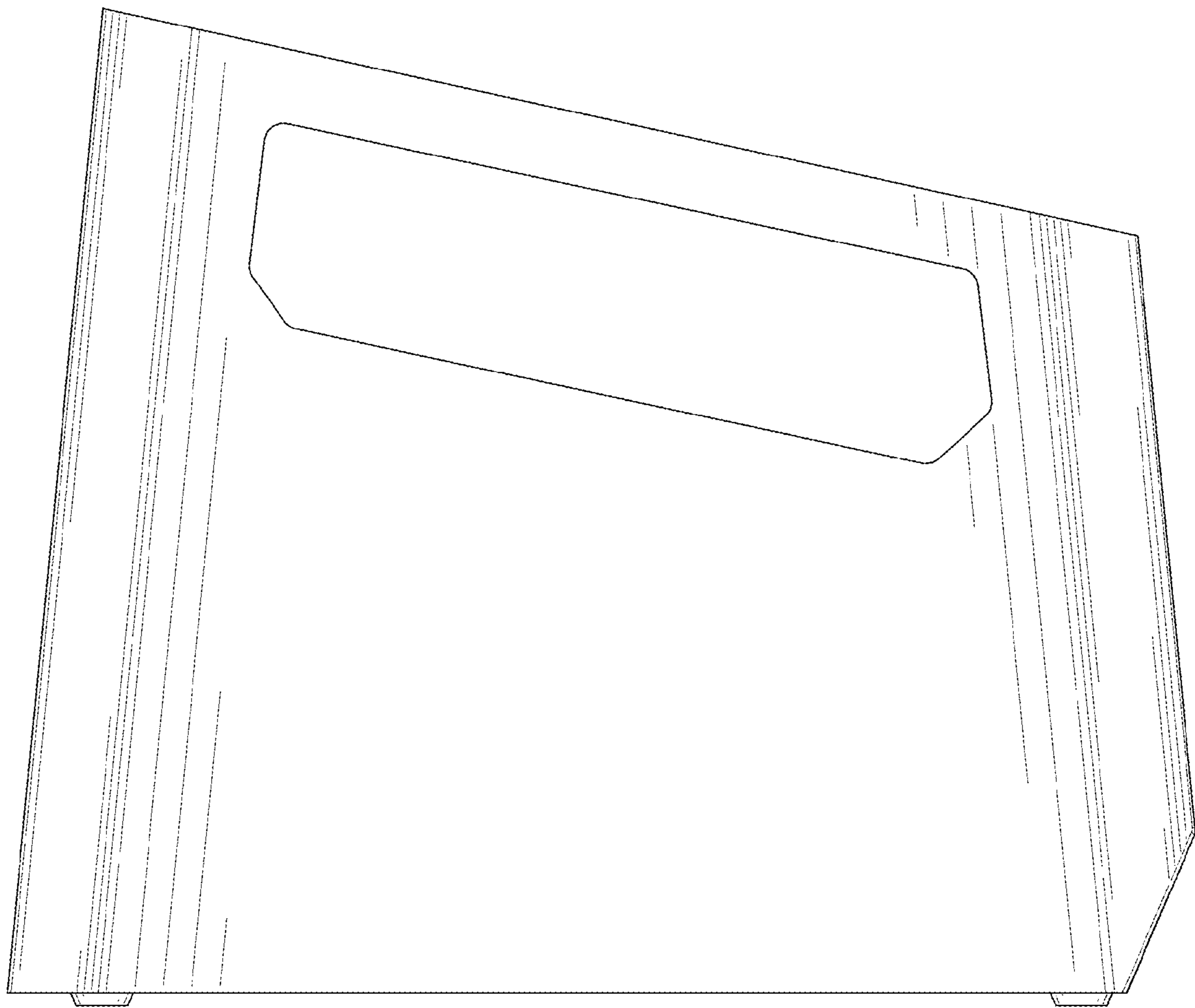


FIG. 3

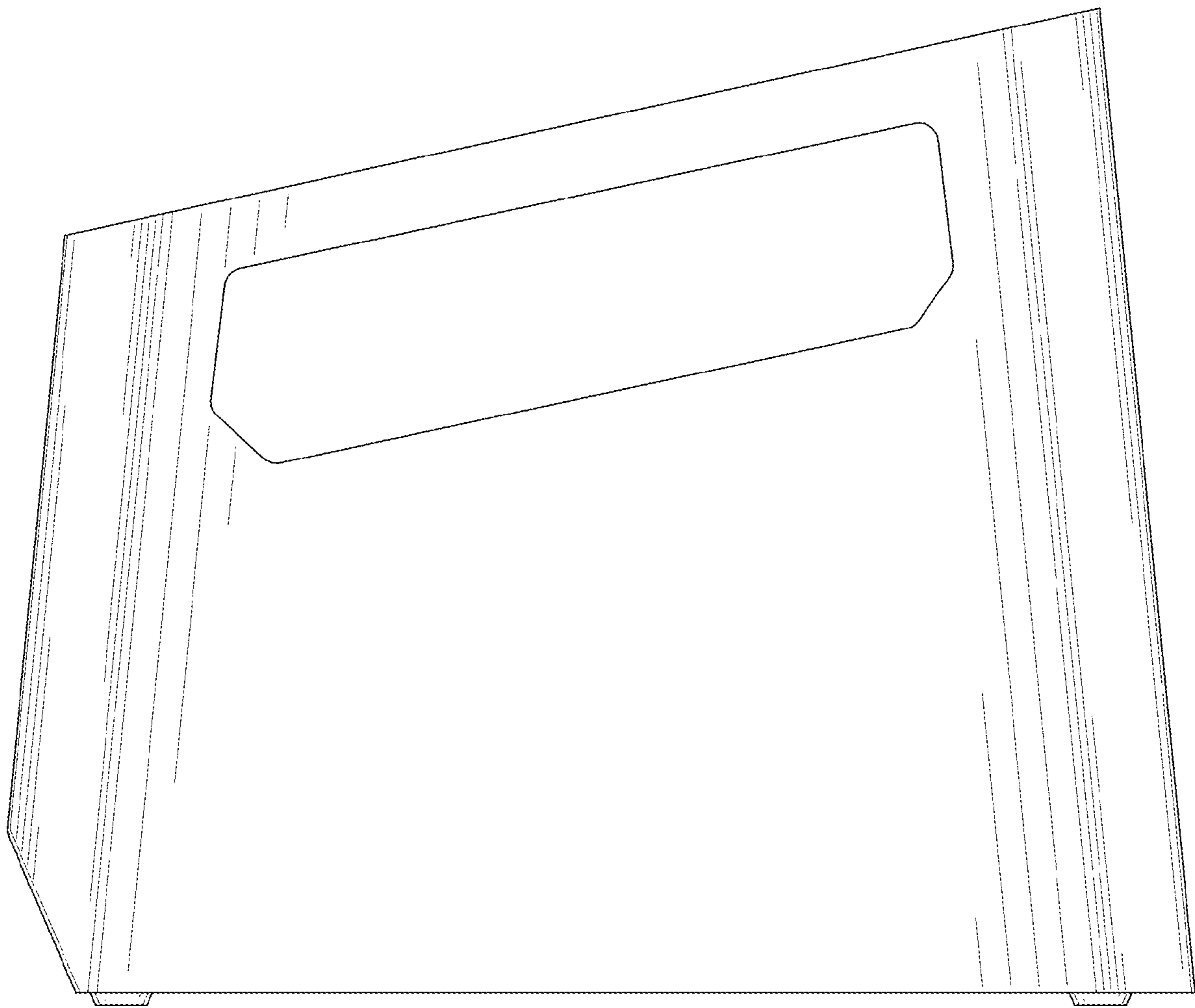


FIG. 4

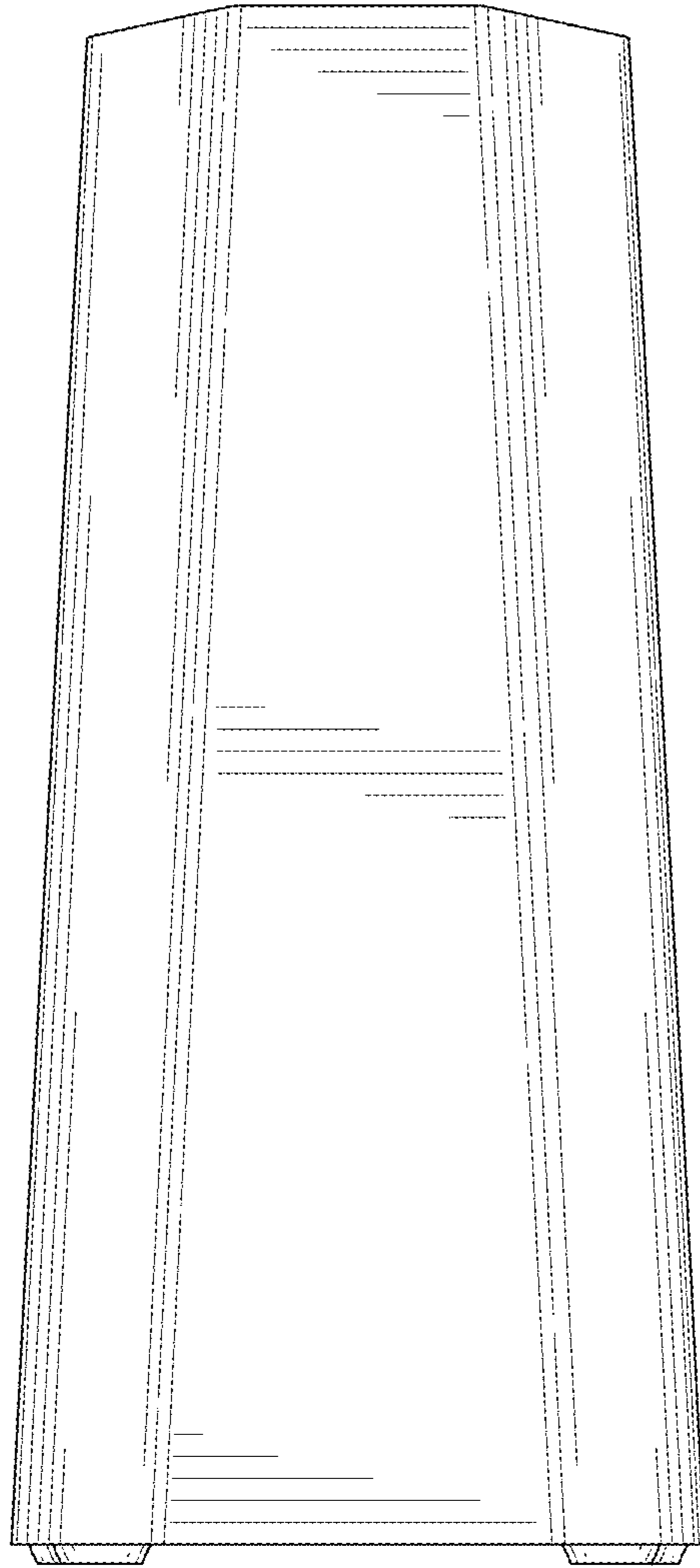


FIG. 5

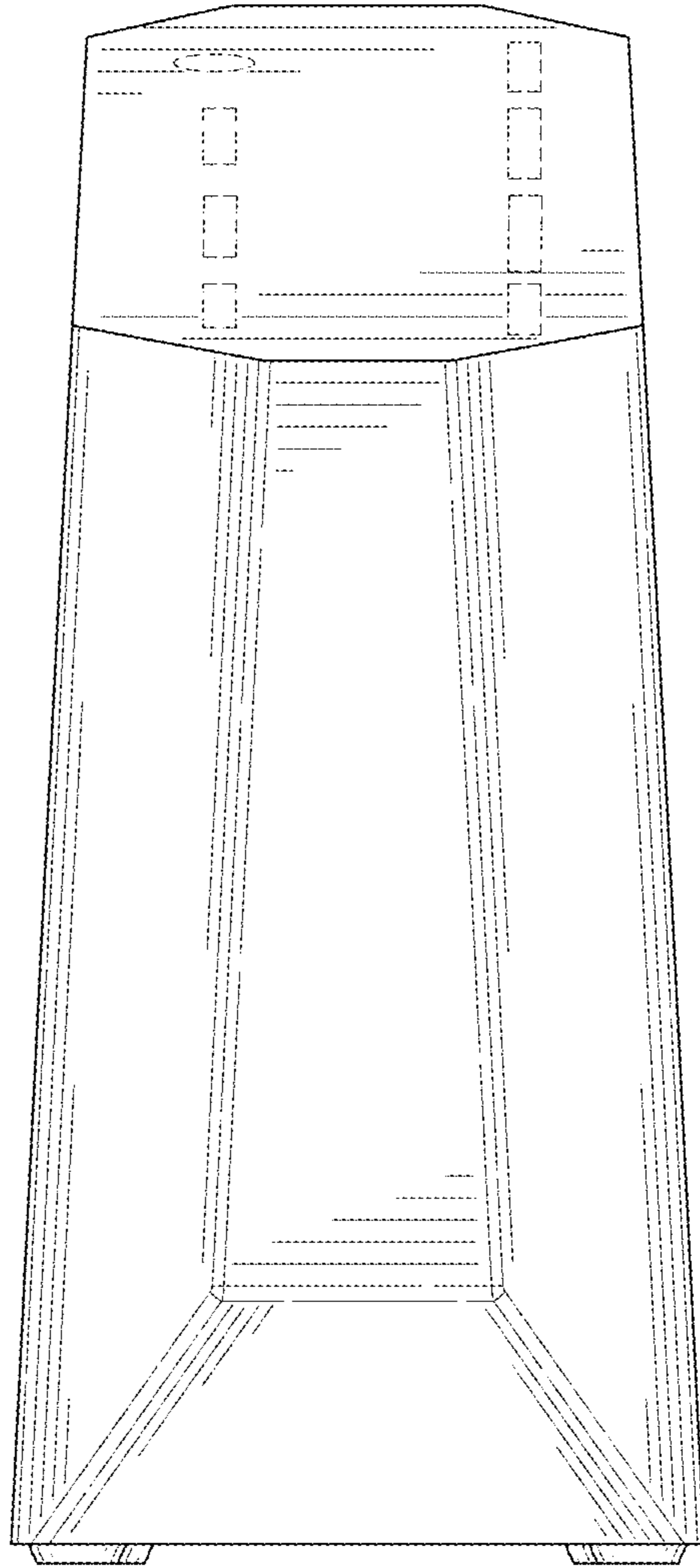


FIG. 6

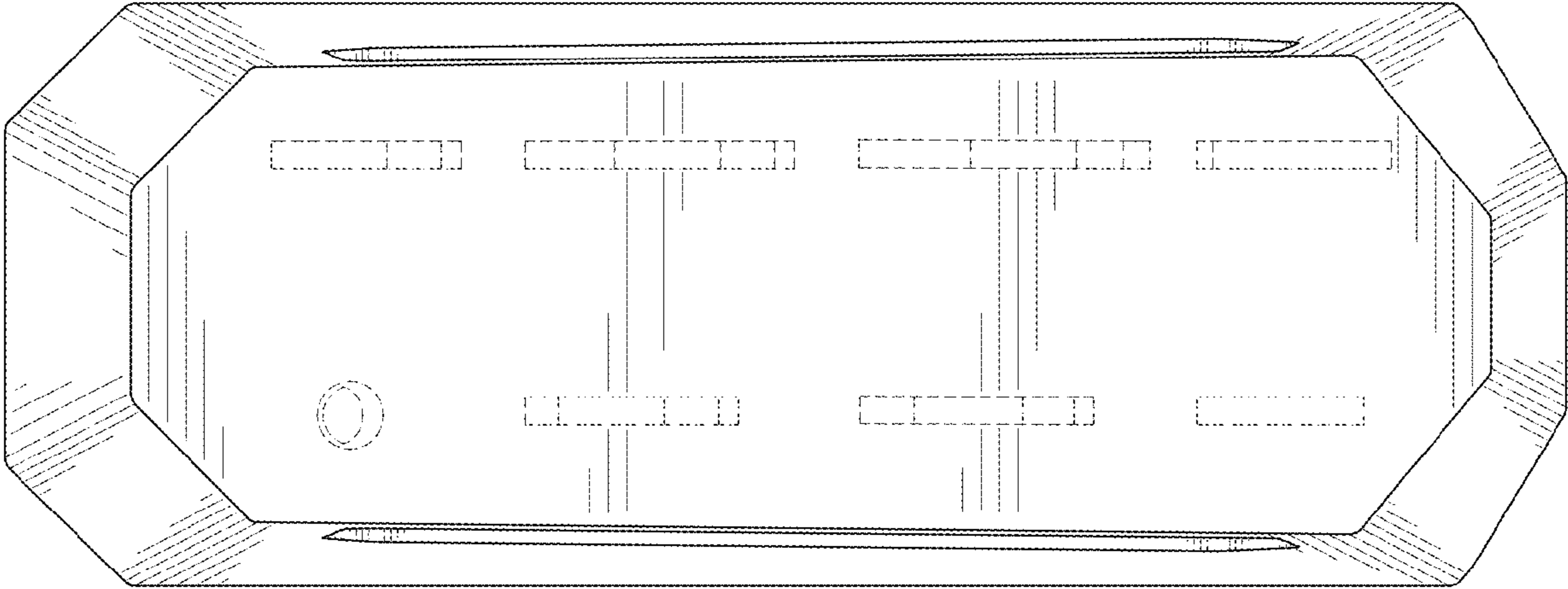


FIG. 7



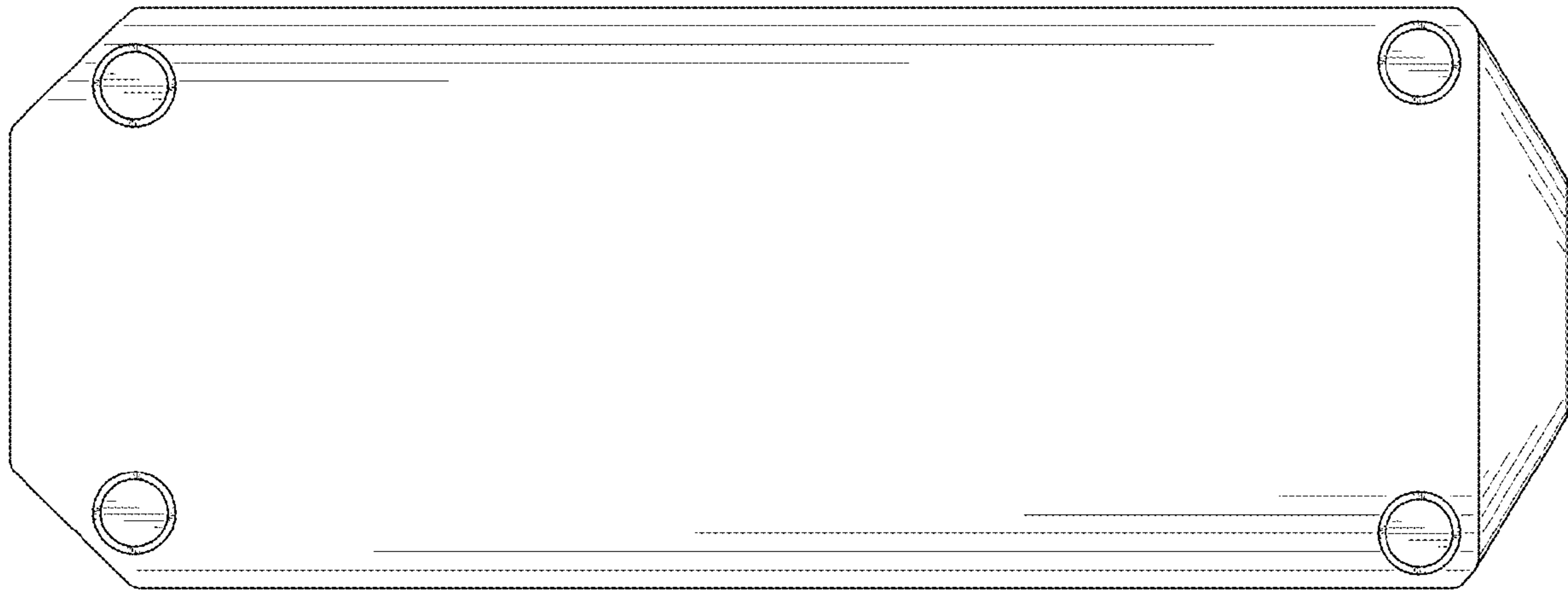


FIG. 8