



US00D971694S

(12) **United States Design Patent** (10) **Patent No.:** **US D971,694 S**
Worden, IV et al. (45) **Date of Patent:** **** Dec. 6, 2022**

(54) **DRAWER ORGANIZER**

(71) Applicant: **Helen of Troy Limited**, St. Michael (BB)

(72) Inventors: **Morris Elijah Worden, IV**, New York, NY (US); **Brandon Rodriguez**, New York, NY (US)

(73) Assignee: **Helen of Troy Limited**, St. Michael (BB)

(**) Term: **15 Years**

(21) Appl. No.: **29/770,463**

(22) Filed: **Feb. 12, 2021**

(51) **LOC (13) Cl.** **07-07**

(52) **U.S. Cl.**
USPC **D7/637**

(58) **Field of Classification Search**
USPC D7/387, 388, 393, 396.1, 401.1, 500, D7/550.1, 553.1, 553.2, 553.3, 553.7,
(Continued)

(56) **References Cited**

U.S. PATENT DOCUMENTS

D353,078 S * 12/1994 Davis D7/637
5,738,425 A 4/1998 Rosenberg
(Continued)

FOREIGN PATENT DOCUMENTS

DE 102011016803 10/2012
DE 102015105202 10/2016
EP 002102343-0007 9/2012

OTHER PUBLICATIONS

MDHAND Kitchen Drawer Organizer, first available Jun. 4, 2020, Amazon, [online], [site visited Jul. 11, 2022], Available from internet URL: <https://www.amazon.com/MDHAND-Kitchen-Drawer-Organizer-Expandable/dp/B089NTVNZQ> (Year: 2020).*

(Continued)

Primary Examiner — Mary Ann Calabrese

Assistant Examiner — Natalya M Rapundalo

(74) *Attorney, Agent, or Firm* — Rankin, Hill & Clark LLP

(57) **CLAIM**

The ornamental design for a drawer organizer, as shown and described.

DESCRIPTION

FIG. 1 is a top, front, left side perspective view of a drawer organizer, shown in a closed condition with a utensil holder positioned in a front center pocket of the drawer organizer, according to our new design;

FIG. 2 is a front elevation view of FIG. 1;

FIG. 3 is a rear elevation view of FIG. 1;

FIG. 4 is a left side elevation view of FIG. 1;

FIG. 5 is a right side elevation view of FIG. 1;

FIG. 6 is a top plan view of FIG. 1;

FIG. 7 is a bottom plan view of FIG. 1;

FIG. 8 is a top, front, right side perspective view of FIG. 1;

FIG. 9 is a top, rear, left side perspective view of FIG. 1;

FIG. 10 is a top, rear, right side perspective view of FIG. 1;

FIG. 11 is a top, front, left side perspective view of the drawer organizer in the closed condition with the utensil holder exploded from the front center pocket;

FIG. 12 is a top, front, right side perspective view of FIG. 11;

FIG. 13 is a top, front, left side perspective view of the drawer organizer, shown in an opened, expanded condition, with the utensil holder positioned in the front center pocket of the drawer organizer;

FIG. 14 is a front elevation view of FIG. 13;

FIG. 15 is a rear elevation view of FIG. 13;

FIG. 16 is a left side elevation view of FIG. 13;

FIG. 17 is a right side elevation view of FIG. 13;

FIG. 18 is a top plan view of FIG. 13;

FIG. 19 is a bottom plan view of FIG. 13;

FIG. 20 is a top, front, right side perspective view of FIG. 13;

FIG. 21 is a top, rear, left side perspective view of FIG. 13;

FIG. 22 is a top, rear, right side perspective view of FIG. 13;

(Continued)

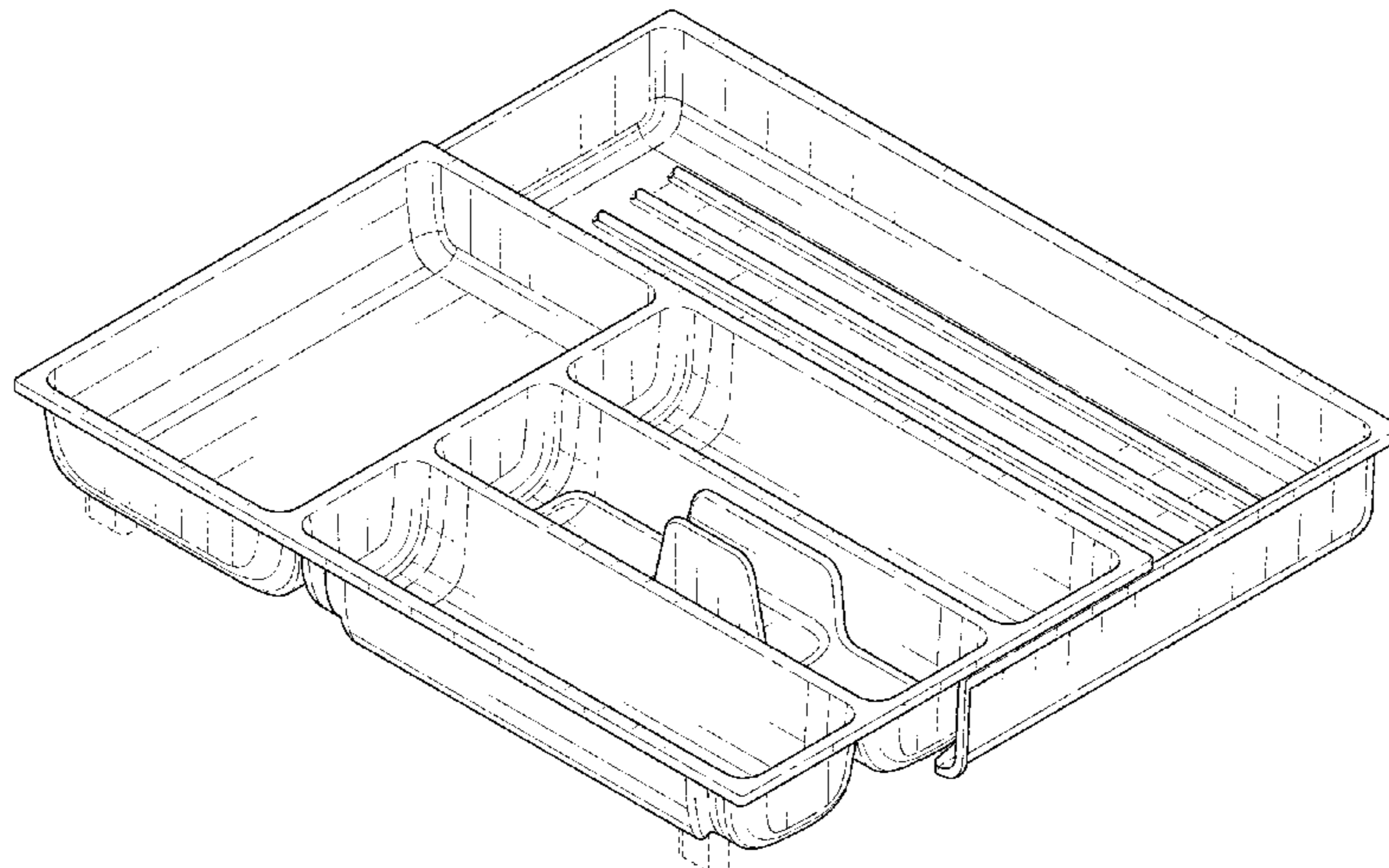


FIG. 23 is a top, front, left side perspective view of the drawer organizer in the opened, expanded condition with the utensil holder exploded from the front center pocket; and, FIG. 24 is a top, front, right side perspective view of FIG. 23.

The broken lines in the drawings depict portions of the drawer organizer that form no part of the claimed design.

1 Claim, 20 Drawing Sheets

(58) **Field of Classification Search**

USPC D7/554.1, 554.3, 554.4, 555, 586, 587, D7/600.1, 601, 602, 635–645, 701, 703, D7/707, 708; D3/210, 304, 305, 310, D3/313, 315; D6/683, 683.1; D19/75, D19/77, 81, 83; D27/172, 183, 186; D28/73, 76, 83, 91
 CPC ... A47B 88/969; A47B 88/975; A47B 88/988; A47B 88/994; A47B 2088/976; A47G 21/14; A47J 47/16; B65D 1/34; B65D 1/36; B65D 11/188; B65D 25/04; B65D 25/06

See application file for complete search history.

(56) **References Cited**

U.S. PATENT DOCUMENTS

| | | | |
|--------------|---------|---------------|--------|
| D397,274 S * | 8/1998 | Hise | D7/637 |
| D421,554 S * | 3/2000 | Govrik | D7/637 |
| 6,695,419 B2 | 2/2004 | Searer | |
| D503,574 S * | 4/2005 | Yao | D7/637 |
| D569,196 S * | 5/2008 | Angel | D7/637 |
| D593,347 S | 6/2009 | Kilpatrick | |
| D707,501 S * | 6/2014 | Breuss | D7/641 |
| D708,852 S | 7/2014 | Ghiorgie | |
| D711,196 S | 8/2014 | May | |
| D711,691 S | 8/2014 | Hu | |
| D746,643 S | 1/2016 | Kraemer | |
| D830,060 S * | 10/2018 | Kraemer | D3/310 |
| D830,792 S * | 10/2018 | Hsu | D7/637 |
| D843,791 S * | 3/2019 | Noe | D7/637 |
| D846,281 S | 4/2019 | Greenwood | |
| D848,151 S | 5/2019 | Greenwood | |

| | | | |
|-------------------|---------|----------------|-----------------------|
| D856,094 S * | 8/2019 | Joseph | D7/637 |
| D886,543 S | 6/2020 | Repko | |
| D886,544 S | 6/2020 | Repko | |
| D898,528 S | 10/2020 | Repko | |
| D923,429 S * | 6/2021 | Repko | D7/637 |
| D925,226 S * | 7/2021 | Hazelton | B65D 25/06 D3/304 |
| 2004/0004420 A1 | 1/2004 | Pine | |
| 2008/0073241 A1 * | 3/2008 | Naden | B65D 25/06 206/553 |
| 2008/0083753 A1 | 4/2008 | Escobar | |

OTHER PUBLICATIONS

Design No. 6156326, Aug. 6, 2021—Intellectual Property Office (GB) Publication Date—Aug. 6, 2021 Owner—Helen of Troy Limited DesignView, available at www.tmdn.org/tmdsview-web/welcome (Year: 2021).*

Design No. 008643225-0001, Aug. 9, 2021—European Union Intellectual Property Office (EUIPO) Publication Date—Aug. 16, 2021 Owner—Helen of Troy Limited, Designer—Morris Elijah Worden IV, Brandon Rodriguez DesignView, available at www.tmdn.org/tmdsview-web/welcome (Year: 2021).*

Design No. 008643225-0002, Aug. 9, 2021—European Union Intellectual Property Office (EUIPO) Publication Date—Aug. 16, 2021 Owner—Helen of Troy Limited, Designer—Morris Elijah Worden IV, Brandon Rodriguez DesignView, available at www.tmdn.org/tmdsview-web/welcome (Year: 2021).*

Oxo Good Grips Expandable Utensil Organizer, first available Jul. 21, 2021, Amazon, [online], [site visited Jul. 5, 2022], Available from internet URL: <https://www.amazon.com/OXO-Grips-Compact-Drawer-Organizer/dp/B09B1CZVWR> (Year: 2021).*

<https://www.containerstore.com/s/drawer-organizers/expandable-acacia-utensil-tray/1d?productId=11011629&theme=expandable%20drawer%20organizer&pos=16> Made publicly available prior to Feb. 12, 2021.

<https://www.target.com/p/bamboo-expandable-flatware-drawer-organizer-threshold-8482/-/A-14771050#Ink=sametab> Made publicly available prior to Feb. 10, 2021.

Sorbus Flatware Drawer Organizer, site visited Feb. 10, 2021 URL: <https://www.amazon.com/dp/B079QBSN5J>.

mDesign Plastic Adjustable/Expandable Divided Drawer Storage Organizer, site visited Feb. 10, 2021 URL: <https://www.amazon.com/dp/B07Q59Z68J>.

* cited by examiner

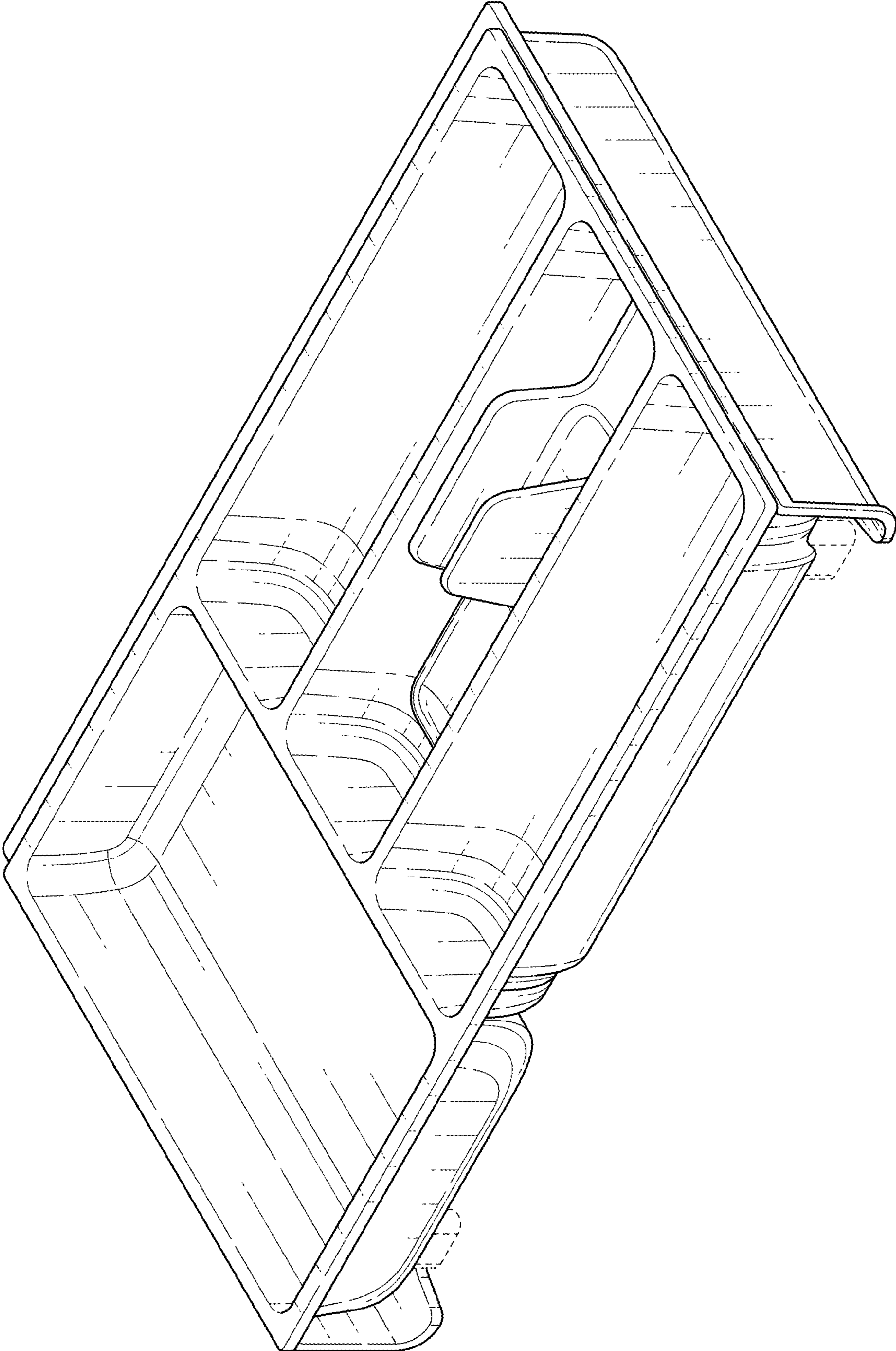


FIG. 1

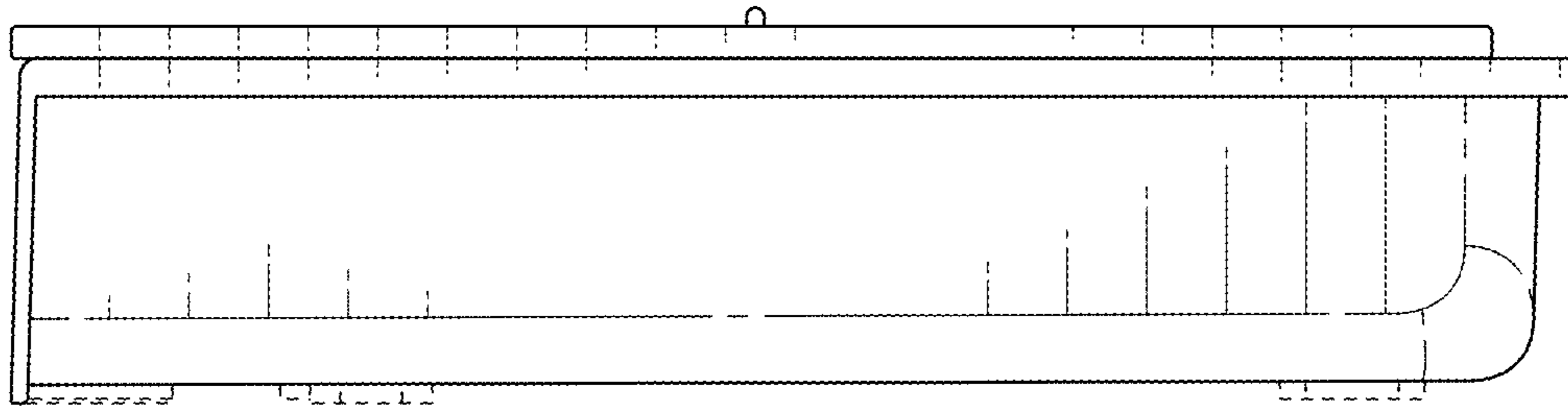


FIG. 2

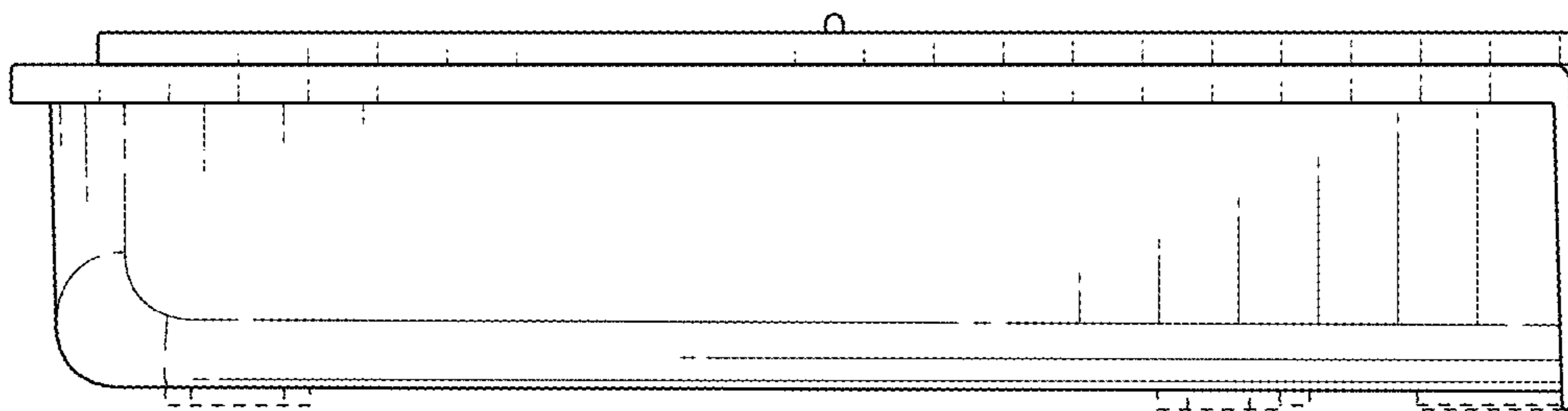


FIG. 3

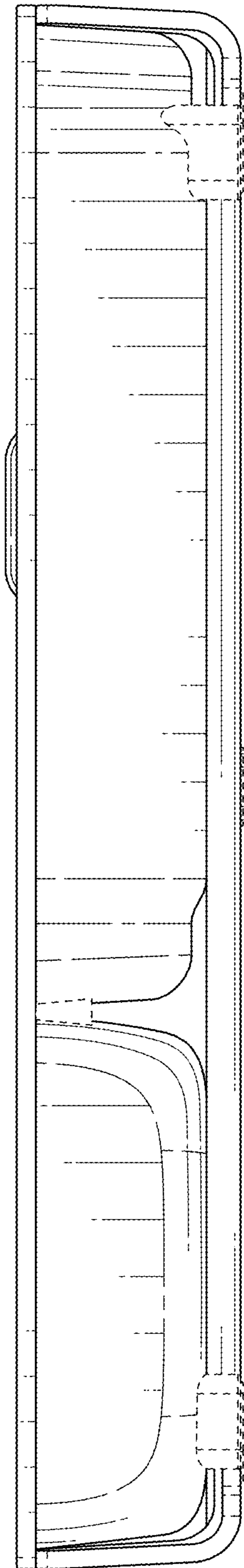


FIG. 4

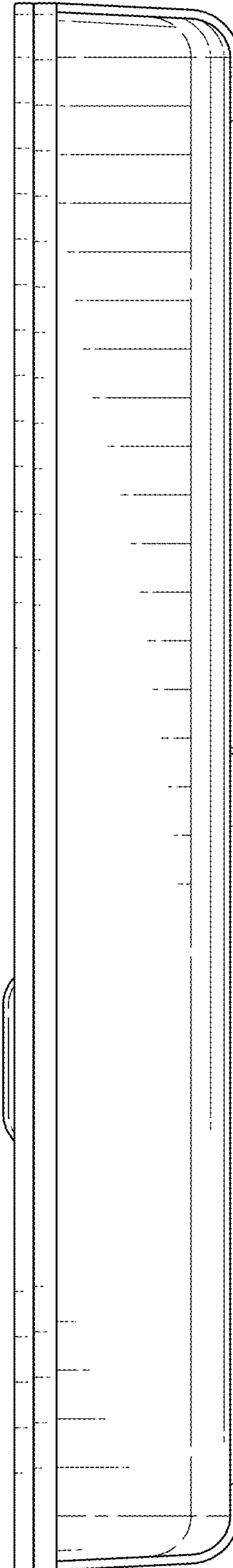


FIG. 5

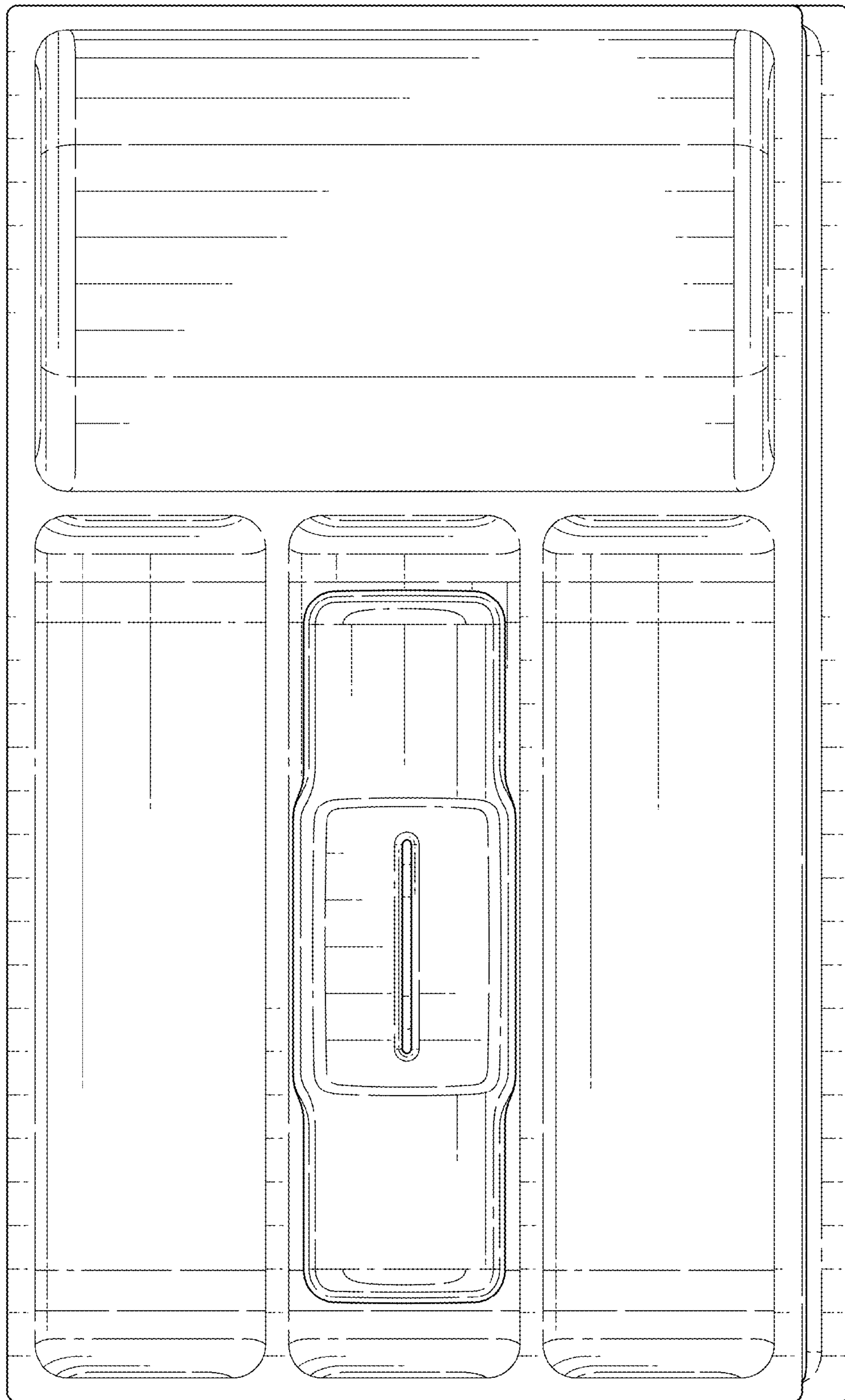


FIG. 6

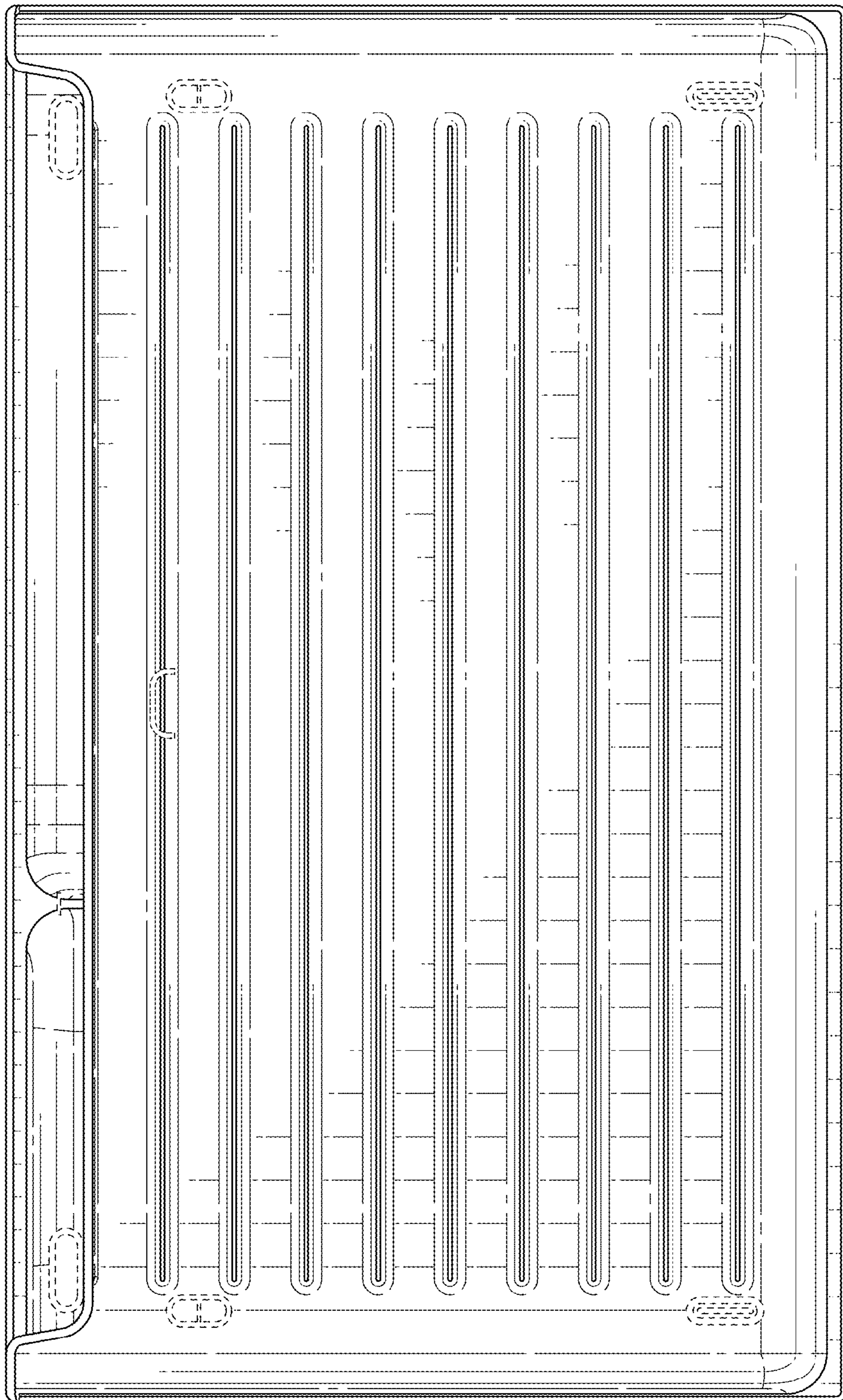


FIG. 7

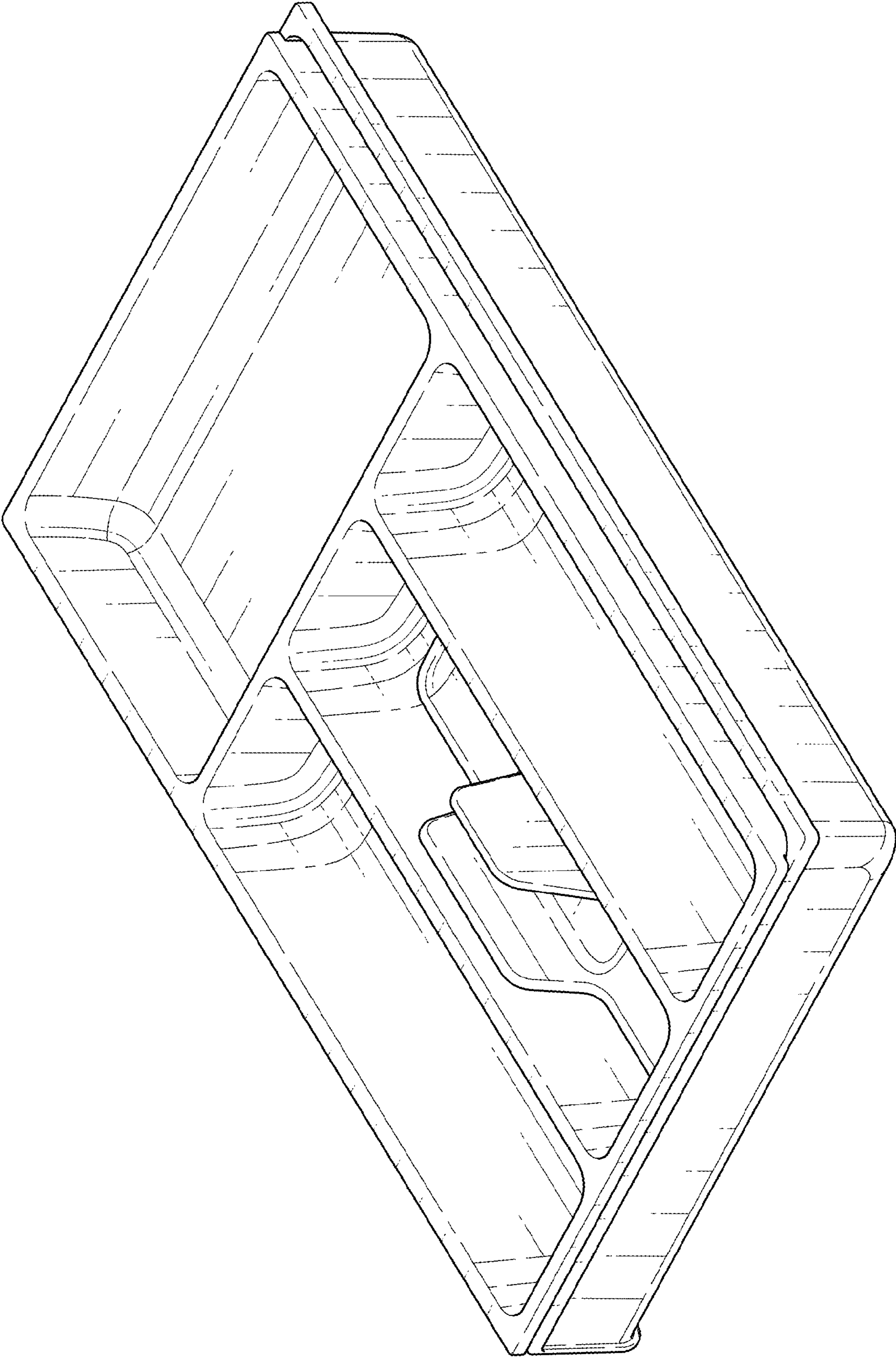


FIG. 8

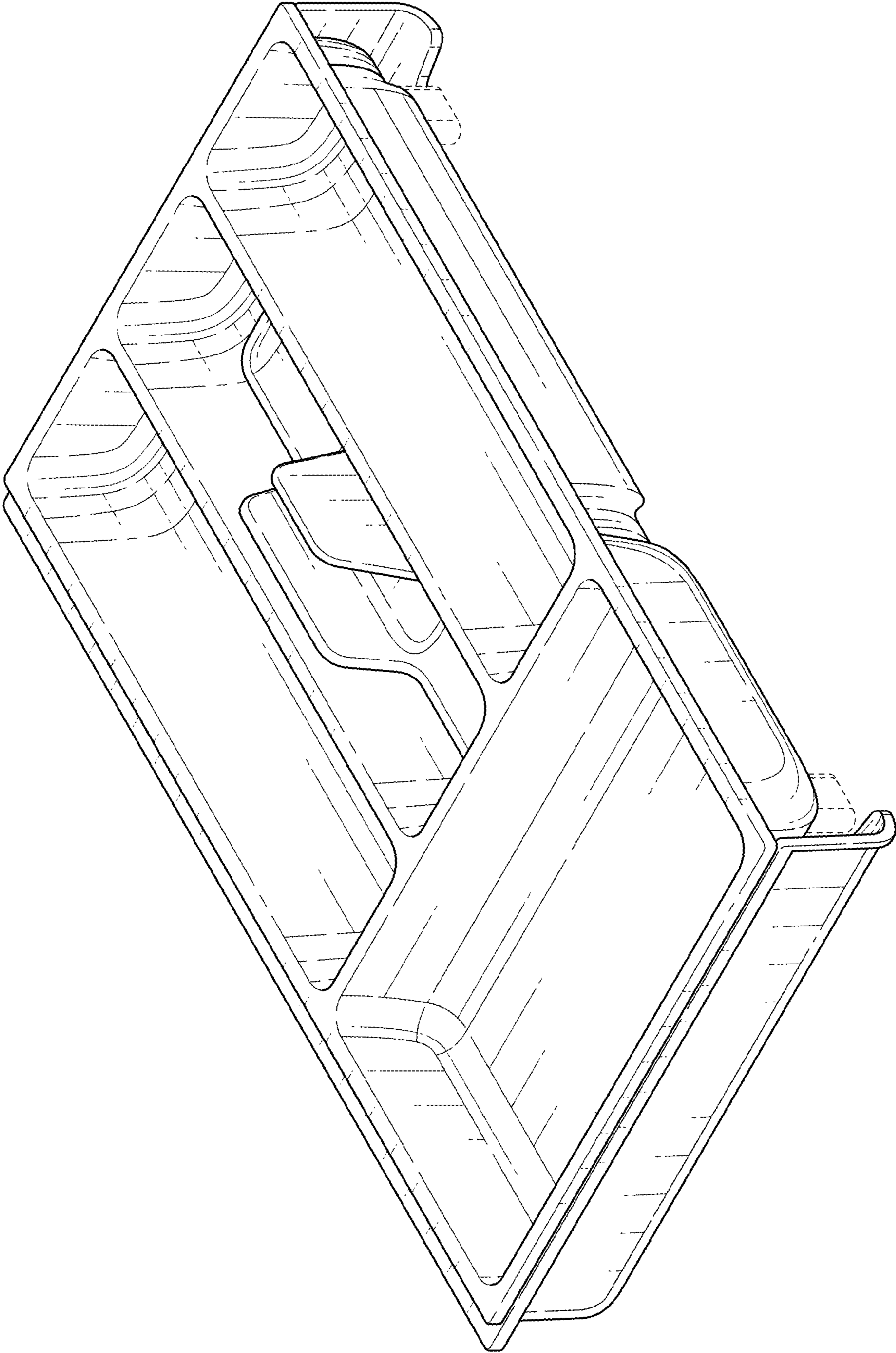


FIG. 9

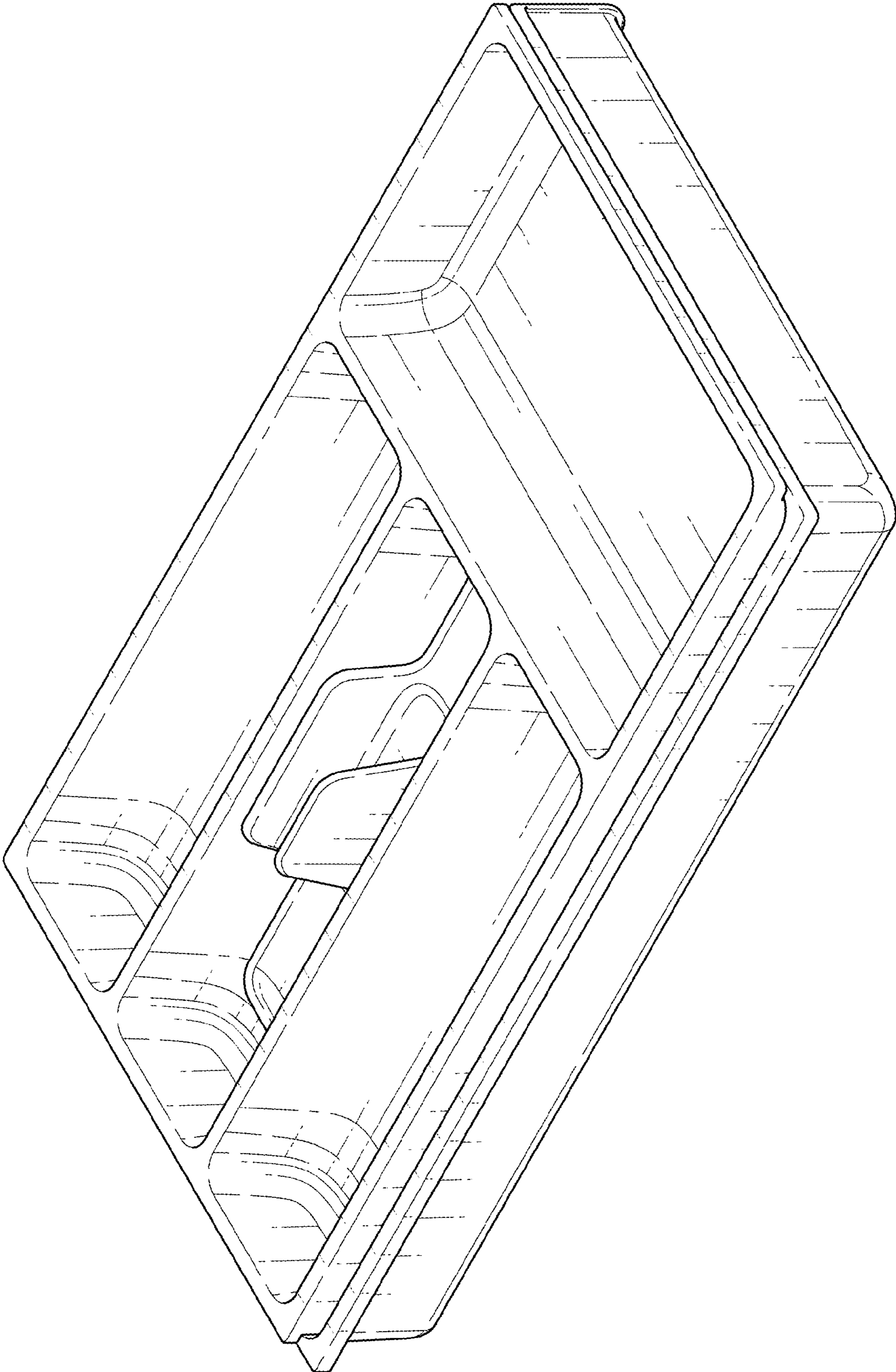


FIG. 10

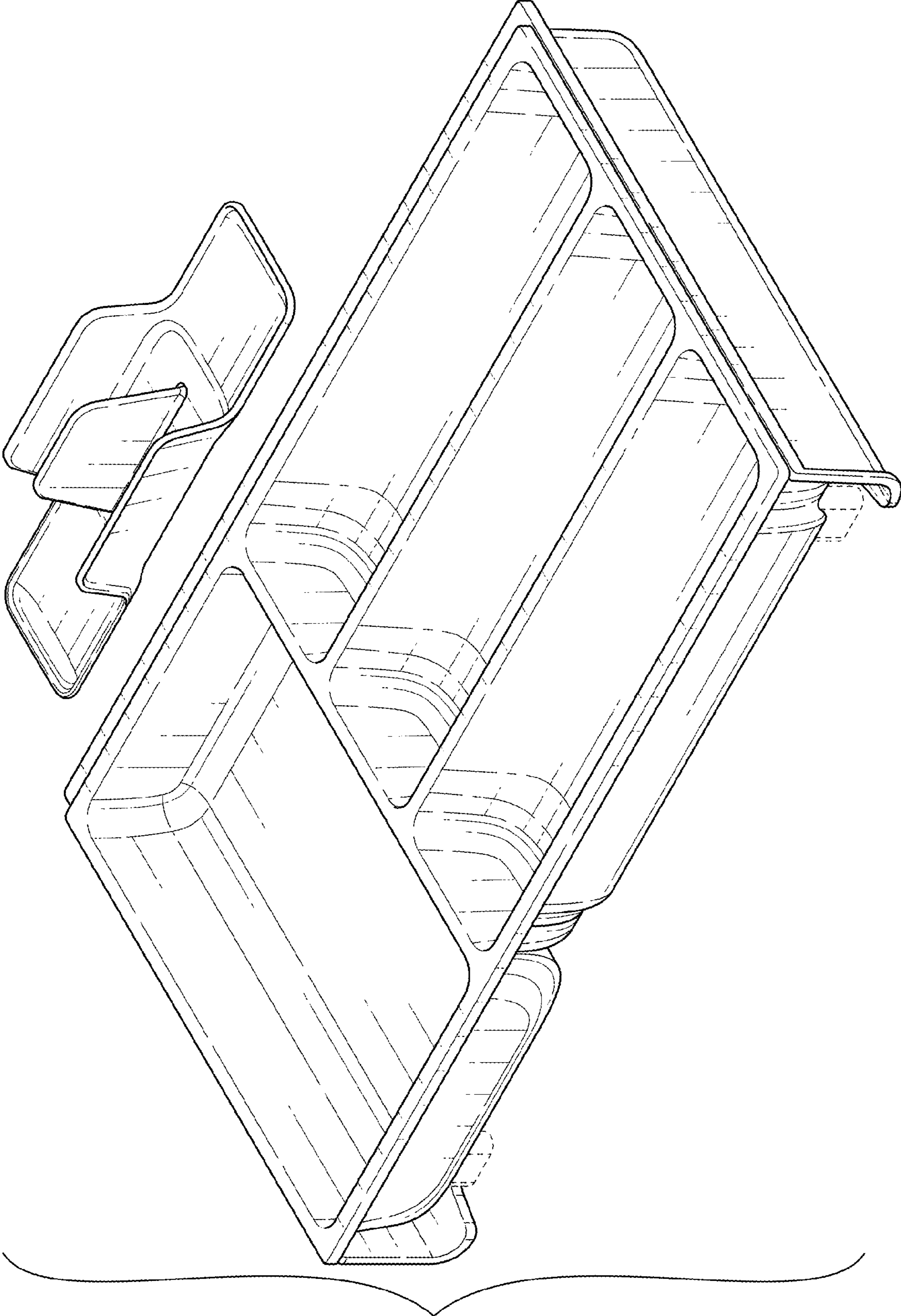


FIG. 11

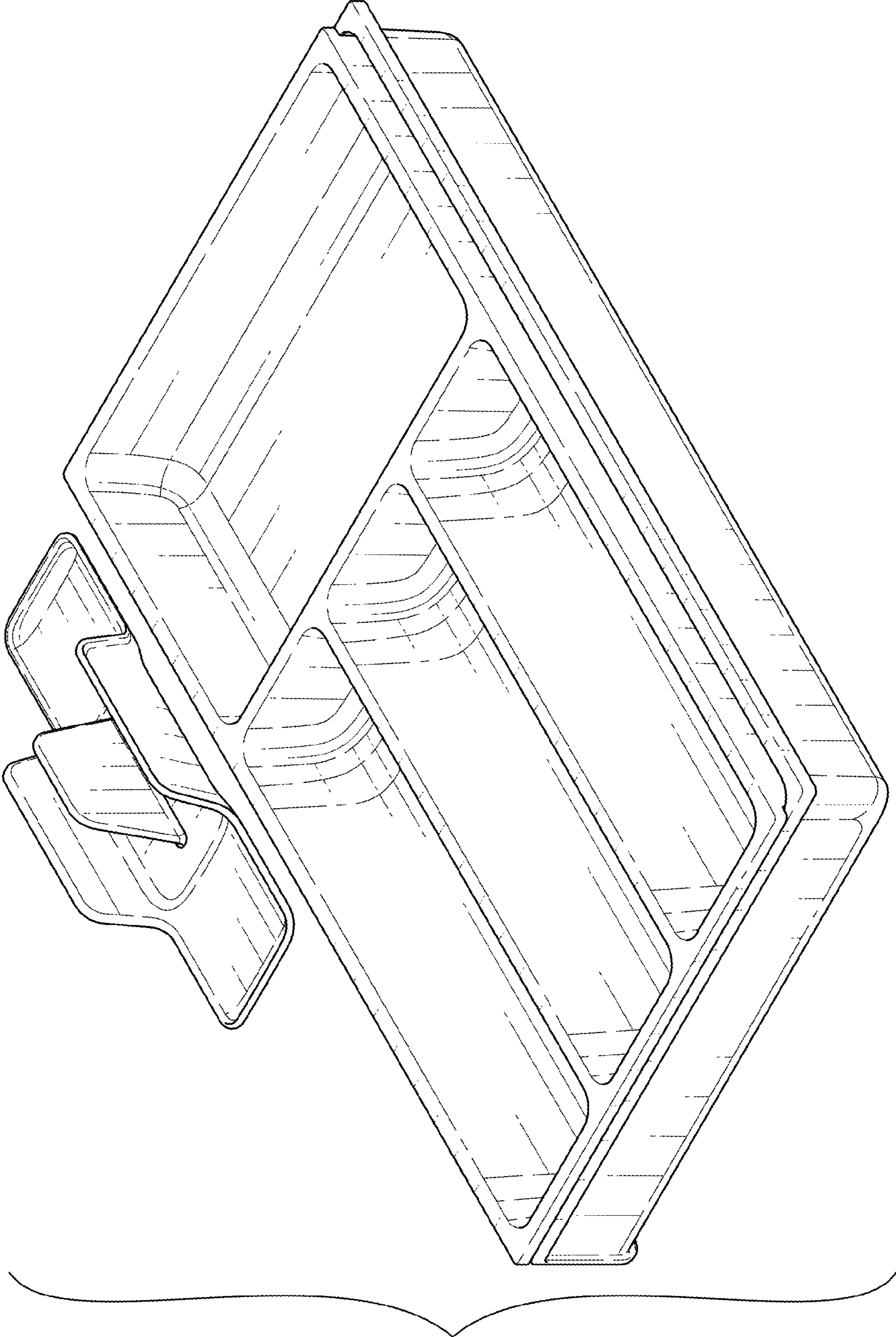


FIG. 12

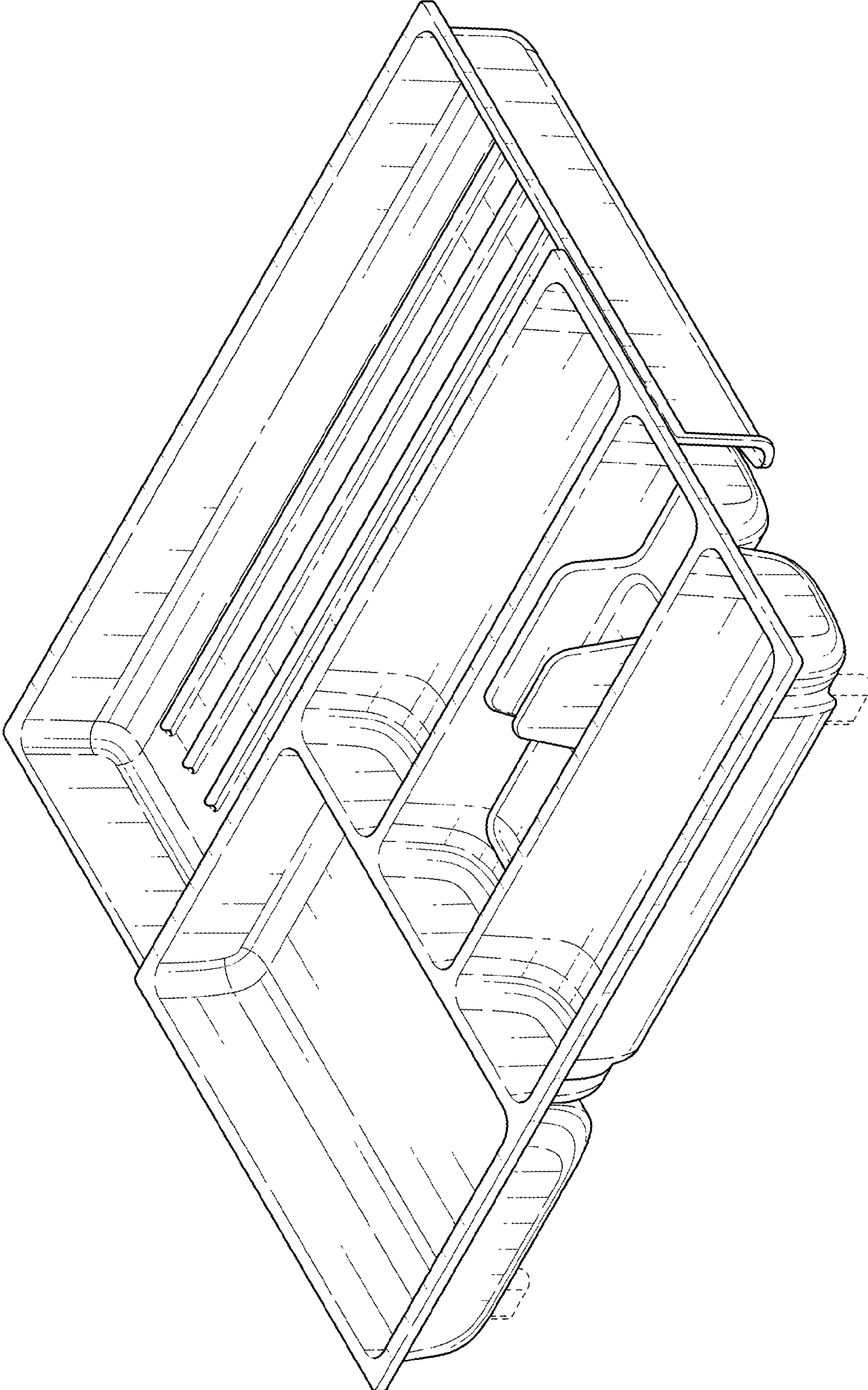


FIG. 13

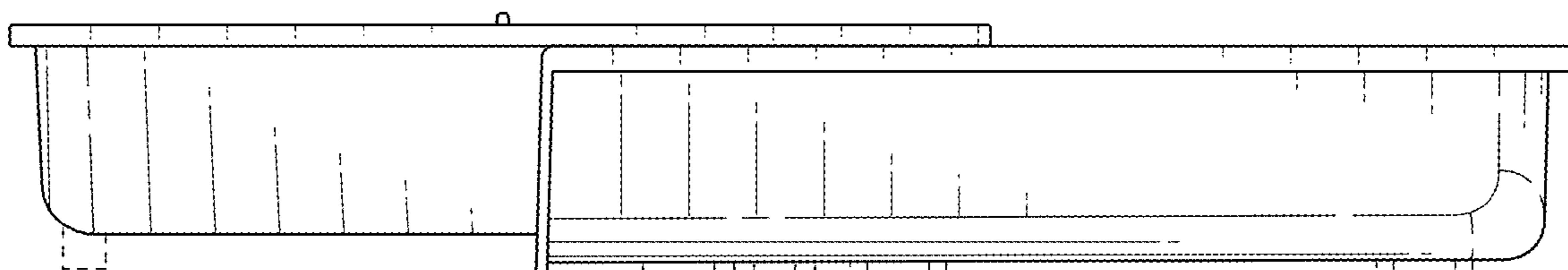


FIG. 14

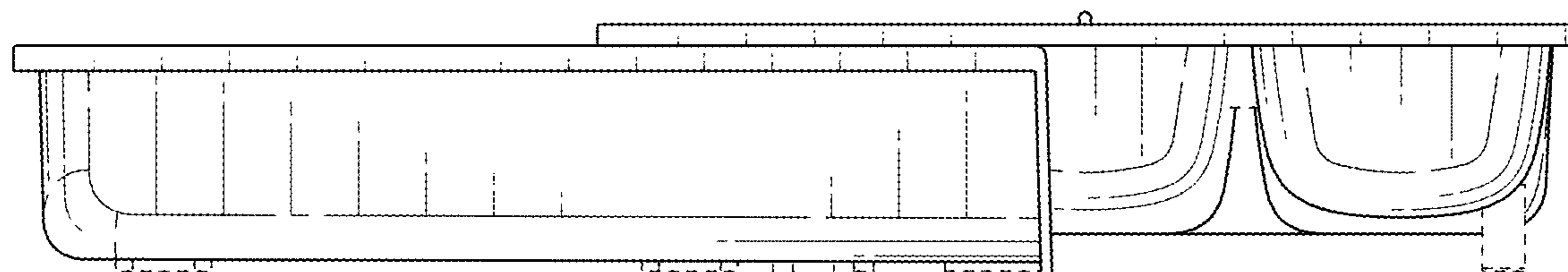


FIG. 15

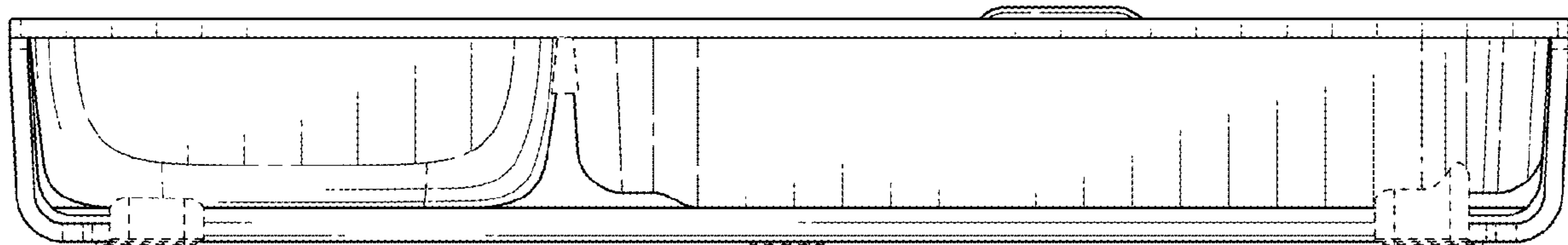


FIG. 16

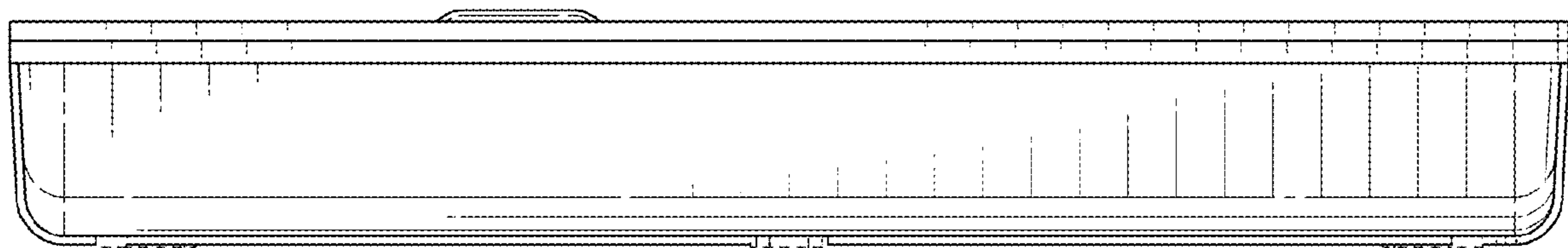


FIG. 17

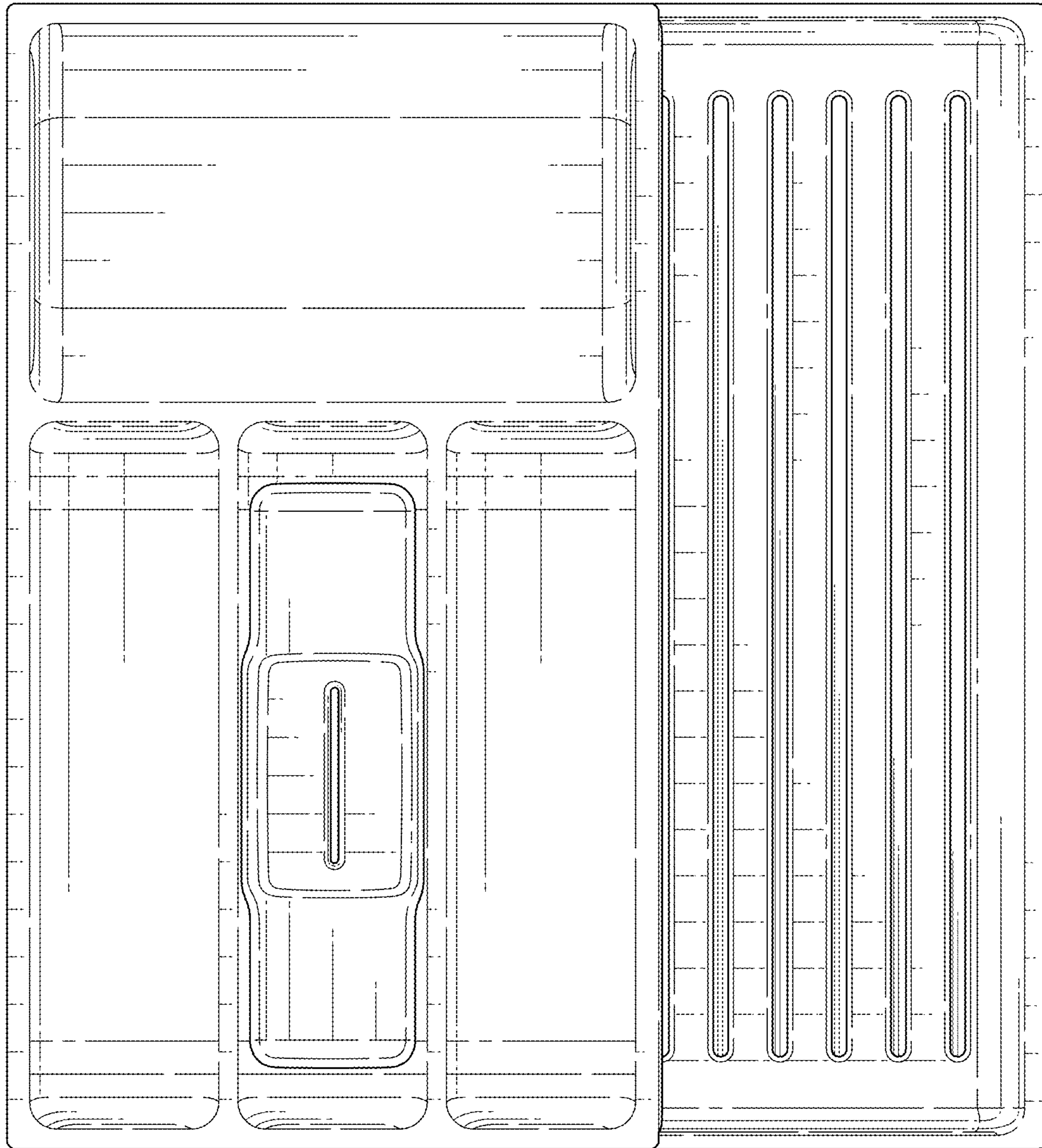


FIG. 18

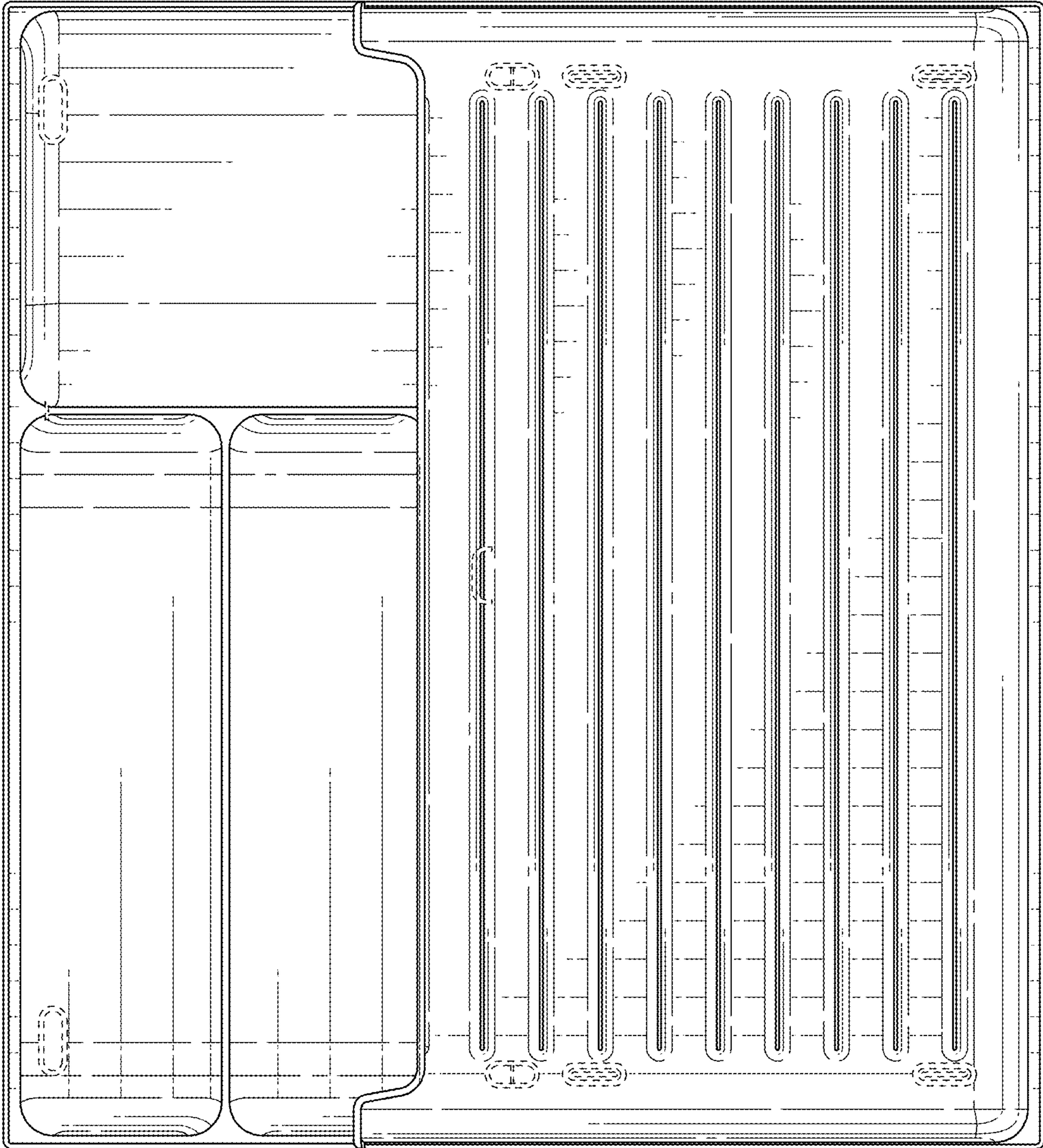


FIG. 19

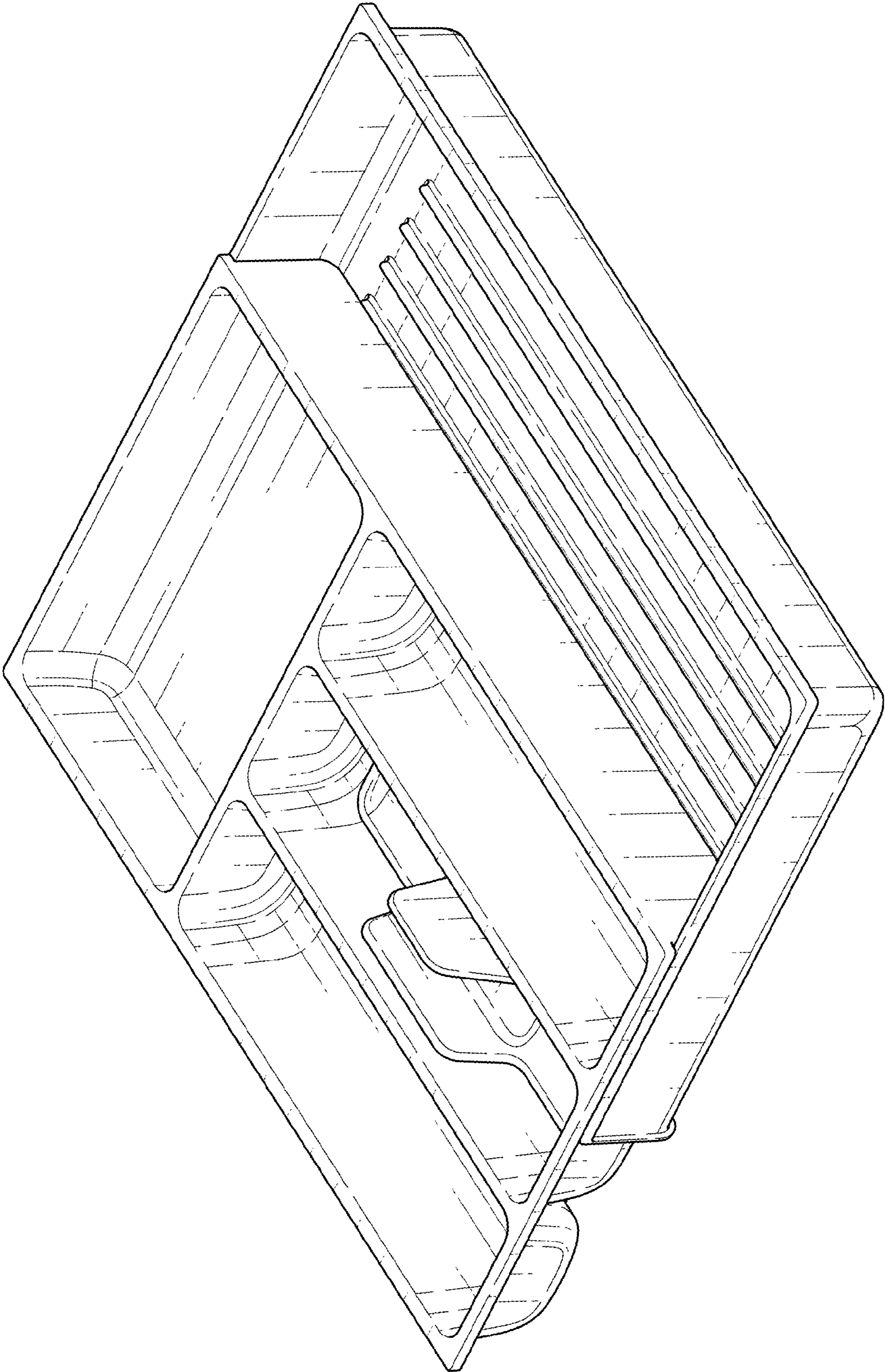


FIG. 20

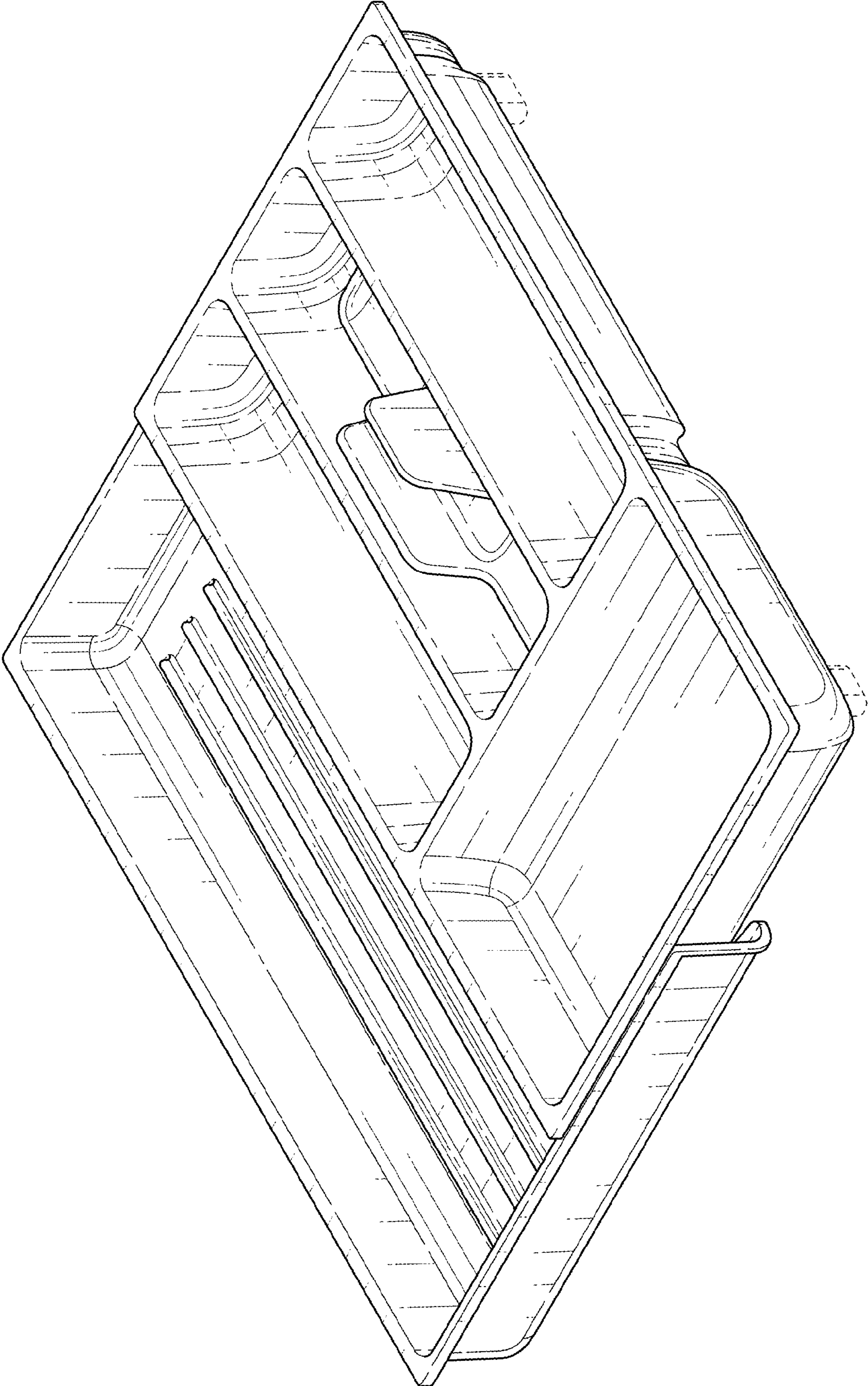


FIG. 21

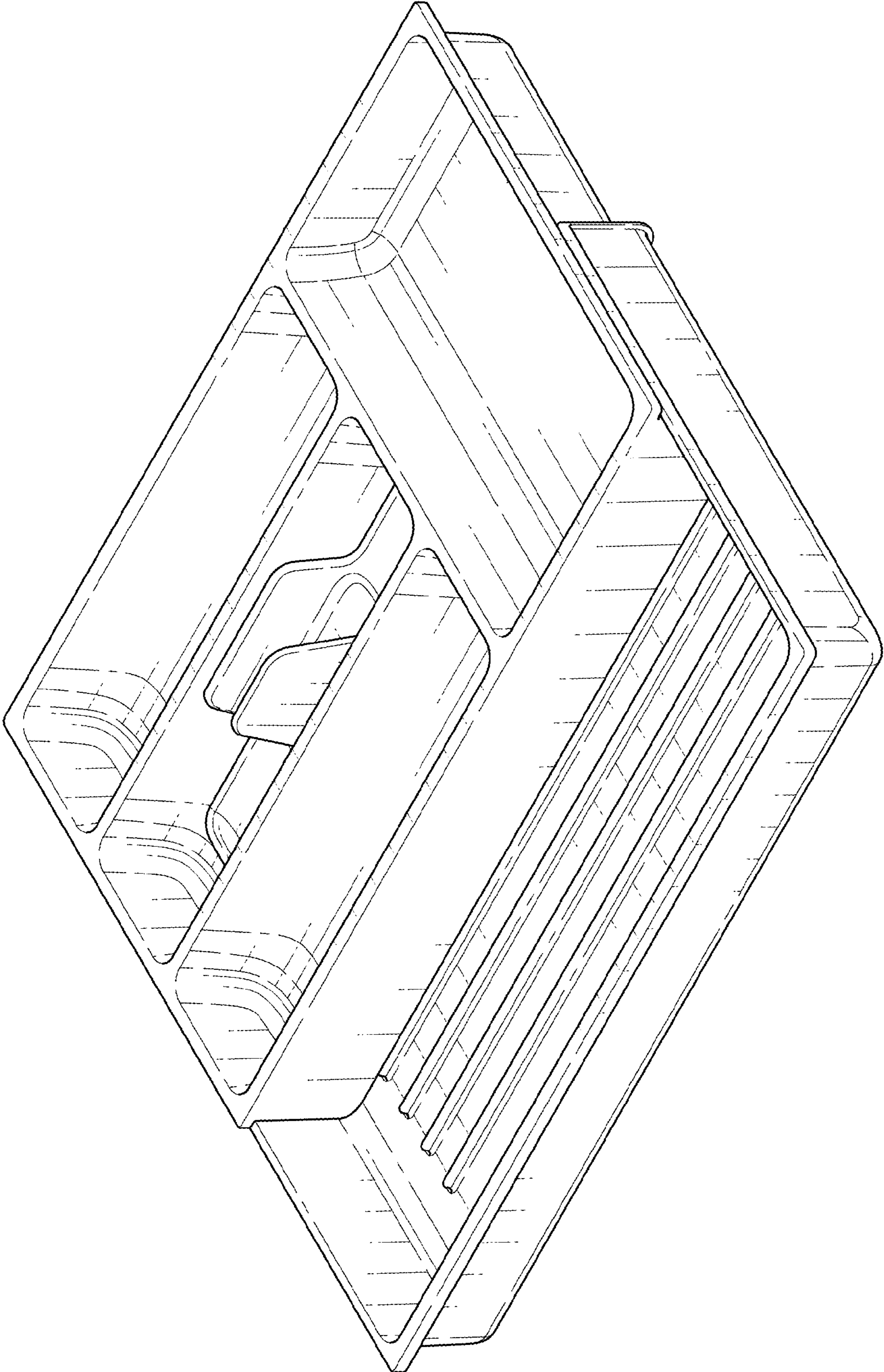


FIG. 22

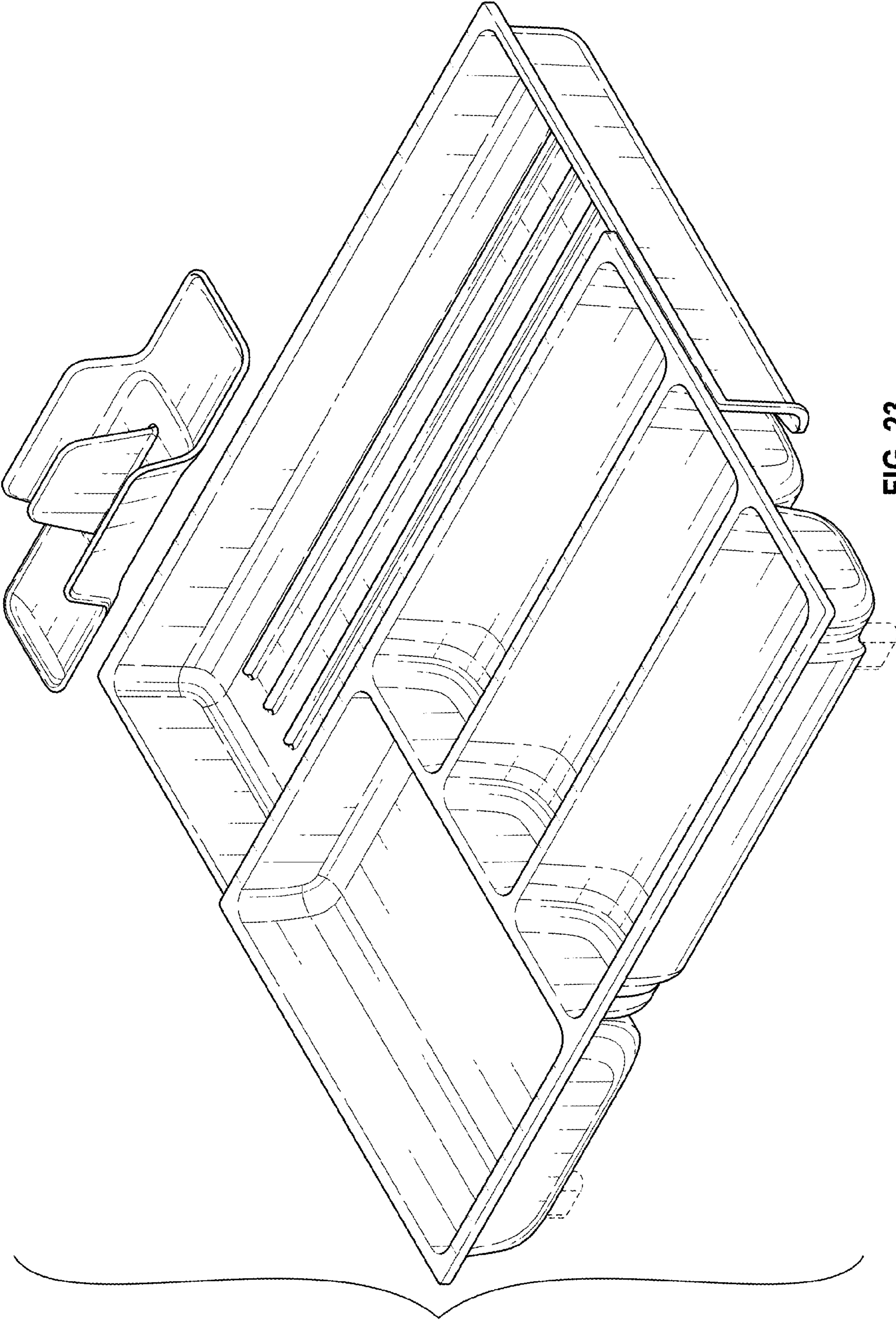


FIG. 23

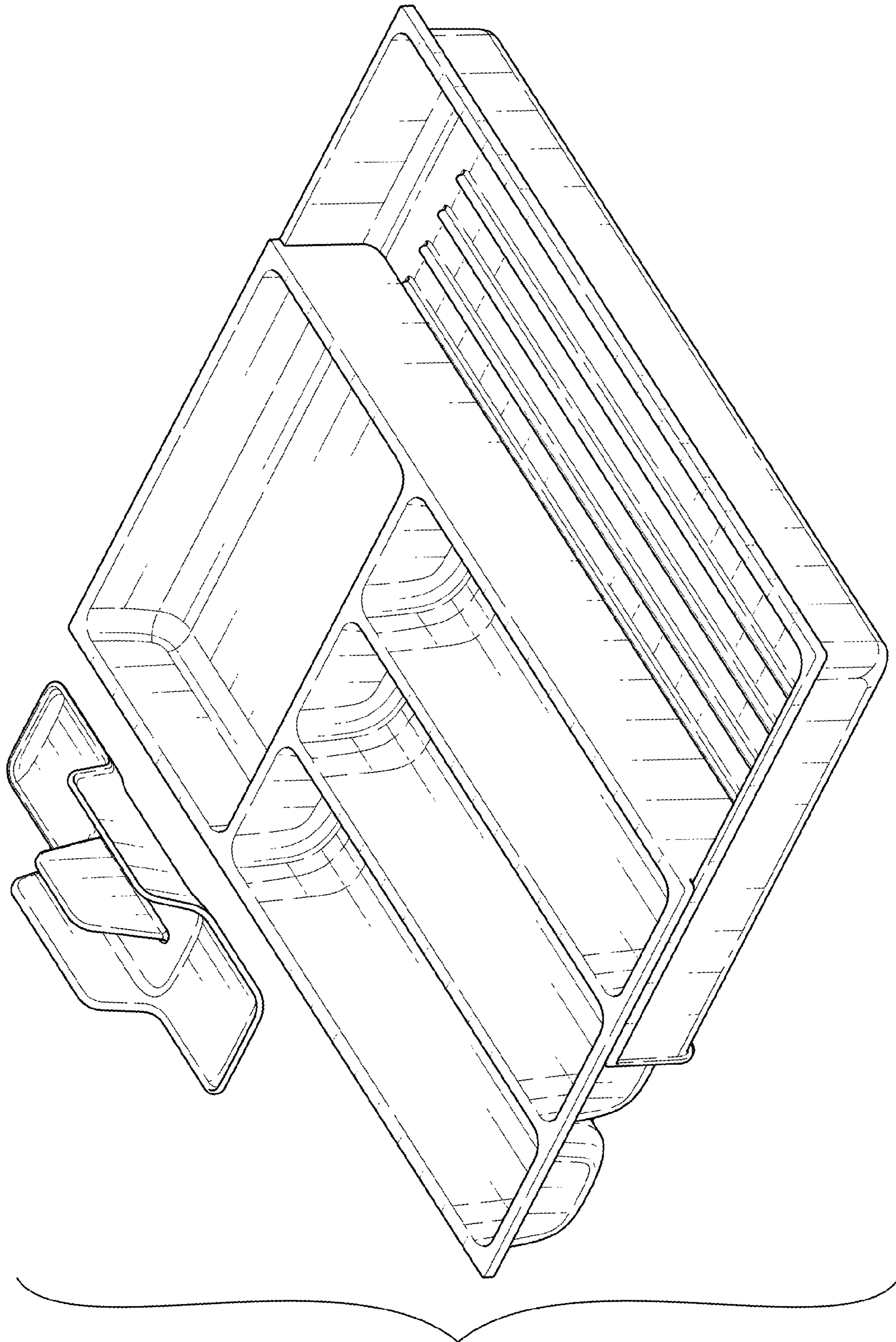


FIG. 24