



US00D971693S

(12) **United States Design Patent** (10) **Patent No.:** **US D971,693 S**
Worden, IV et al. (45) **Date of Patent:** **** Dec. 6, 2022**

(54) **DRAWER ORGANIZER**

(71) Applicant: **Helen of Troy Limited**, St. Michael (BB)

(72) Inventors: **Morris Elijah Worden, IV**, New York, NY (US); **Brandon Rodriguez**, New York, NY (US)

(73) Assignee: **Helen of Troy Limited**, St. Michael (BB)

(**) Term: **15 Years**

(21) Appl. No.: **29/770,327**

(22) Filed: **Feb. 11, 2021**

(51) **LOC (13) Cl.** **07-07**

(52) **U.S. Cl.**
USPC **D7/637**

(58) **Field of Classification Search**
USPC D7/387, 388, 393, 396.1, 401.1, 500, D7/550.1, 553.1, 553.2, 553.3, 553.7,
(Continued)

(56) **References Cited**

U.S. PATENT DOCUMENTS

D353,078 S * 12/1994 Davis D7/637
5,738,425 A 4/1998 Rosenberg
(Continued)

FOREIGN PATENT DOCUMENTS

DE 102011016803 10/2012
DE 102015105202 10/2016
EP 002102343-0007 9/2012

OTHER PUBLICATIONS

MDHAND Kitchen Drawer Organizer, first available Jun. 4, 2020, Amazon, [online], [site visited Jul. 11, 2022], Available from internet URL: <https://www.amazon.com/MDHAND-Kitchen-Drawer-Organizer-Expandable/dp/B089NTVNZQ> (Year: 2020).*

(Continued)

Primary Examiner — Mary Ann Calabrese

Assistant Examiner — Natalya M Rapundalo

(74) *Attorney, Agent, or Firm* — Rankin, Hill & Clark LLP

(57) **CLAIM**

The ornamental design for a drawer organizer, as shown and described.

DESCRIPTION

FIG. 1 is a top, front, left side perspective view of a drawer organizer, shown in a closed condition with a divider positioned in a pocket of the drawer organizer, according to our new design;

FIG. 2 is a front elevation view of FIG. 1;

FIG. 3 is a rear elevation view of FIG. 1;

FIG. 4 is a left side elevation view of FIG. 1;

FIG. 5 is a right side elevation view of FIG. 1;

FIG. 6 is a top plan view of FIG. 1;

FIG. 7 is a bottom plan view of FIG. 1;

FIG. 8 is a top, rear, right side perspective view of FIG. 1;

FIG. 9 is a top, front, left side perspective view of the drawer organizer in the closed condition with the divider exploded from the pocket;

FIG. 10 is a top, rear, right side perspective view of FIG. 9;

FIG. 11 is a top, front, left side perspective view of the drawer organizer, shown in an opened, expanded condition with the divider positioned in the pocket of the drawer organizer;

FIG. 12 is a front elevation view of FIG. 11;

FIG. 13 is a rear elevation view of FIG. 11;

FIG. 14 is a left side elevation view of FIG. 11;

FIG. 15 is a right side elevation view of FIG. 11;

FIG. 16 is a top plan view of FIG. 11;

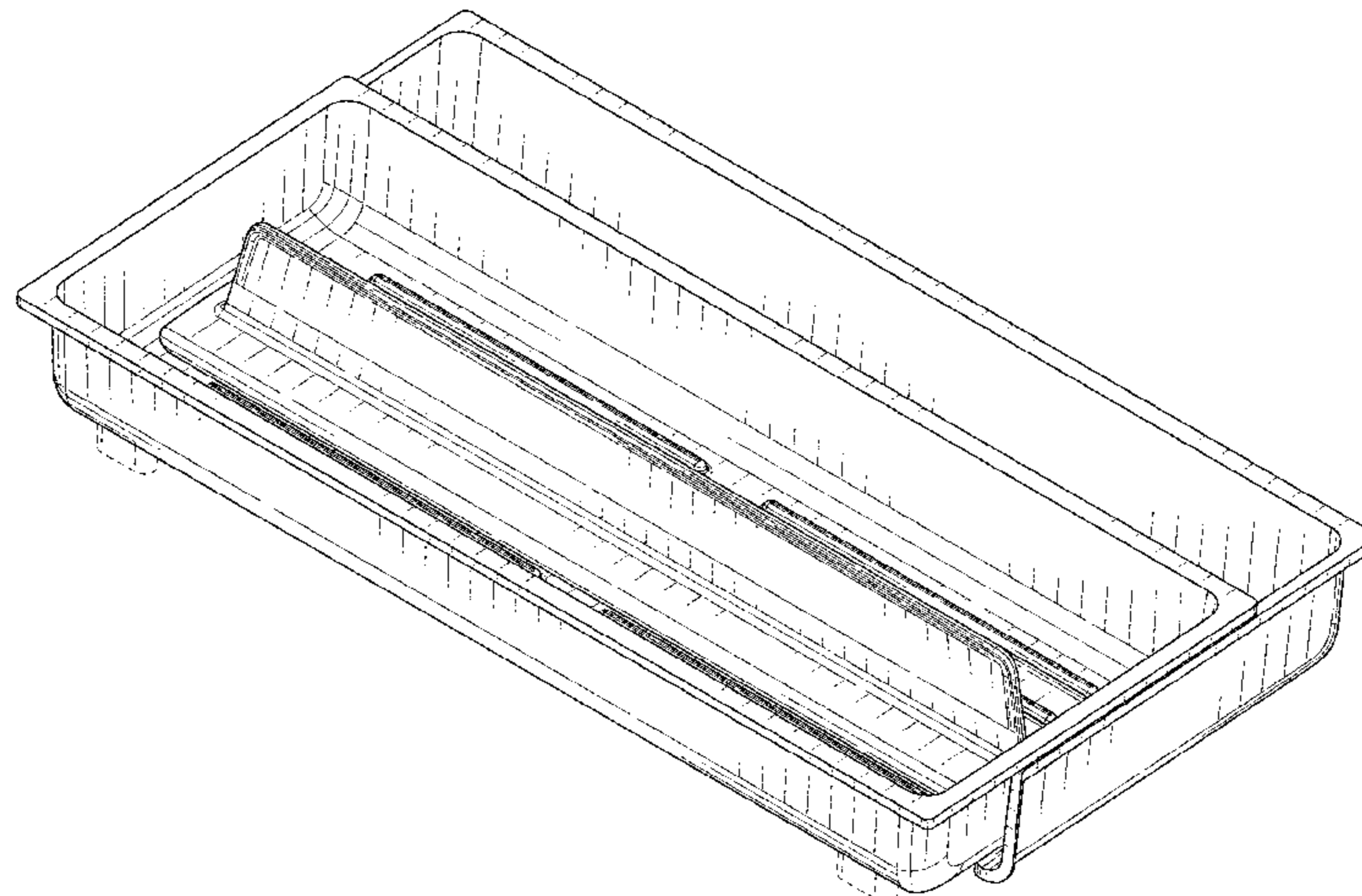
FIG. 17 is a bottom plan view of FIG. 11;

FIG. 18 is a top, rear, right side perspective view of FIG. 1;

FIG. 19 is a top, front, left side perspective view of the drawer organizer in the opened, expanded condition with the divider exploded from the pocket; and,

FIG. 20 is a top, rear, right side perspective view of FIG. 19.

(Continued)



The broken lines in the drawings depict portions of the drawer organizer that form no part of the claimed design.

1 Claim, 16 Drawing Sheets

(58) **Field of Classification Search**

USPC D7/554.1, 554.3, 554.4, 555, 586, 587, D7/600.1, 601, 602, 635–645, 701, 703, D7/707, 708; D3/210, 304, 305, 310, D3/313, 315; D6/683, 683.1; D19/75, D19/77, 81, 83; D27/172, 183, 186; D28/73, 76, 83, 91
 CPC ... A47B 88/969; A47B 88/975; A47B 88/988; A47B 88/994; A47B 2088/976; A47G 21/14; A47J 47/16; B65D 1/34; B65D 1/36; B65D 11/188; B65D 25/04
 See application file for complete search history.

(56) **References Cited**

U.S. PATENT DOCUMENTS

D397,274 S *	8/1998	Hise	D7/637
D421,554 S *	3/2000	Govrik	D7/637
6,695,419 B2	2/2004	Searer	
D503,574 S *	4/2005	Yao	D7/637
D549,457 S *	8/2007	Dretzka	D3/304
D569,196 S *	5/2008	Angel	D7/637
D593,347 S	6/2009	Kilpatrick	
D707,501 S *	6/2014	Breuss	D7/641
D708,852 S	7/2014	Ghiorgie	
D711,196 S	8/2014	May	
D711,691 S	8/2014	Hu	
D746,643 S	1/2016	Kraemer	

D830,060 S *	10/2018	Kraemer	D3/310
D830,792 S *	10/2018	Hsu	D7/637
D843,791 S *	3/2019	Noe	D7/637
D846,281 S	4/2019	Greenwood	
D848,151 S	5/2019	Greenwood	
D856,094 S *	8/2019	Joseph	D7/637
D886,543 S	6/2020	Repko	
D886,544 S	6/2020	Repko	
D898,528 S	10/2020	Repko	
D923,429 S *	6/2021	Repko	D7/637
D925,226 S *	7/2021	Hazelton	B65D 25/06 D3/304
2004/0004420 A1	1/2004	Pine	
2008/0073241 A1 *	3/2008	Naden	B65D 25/06 206/553
2008/0083753 A1	4/2008	Escobar	

OTHER PUBLICATIONS

OXO Good Grips Expandable Long Tool Organizer, first available Jul. 21, 2021, Amazon, [online], [site visited Jul. 5, 2022], Available from internet URL: <https://www.amazon.com/OXO-Grips-Compact-Drawer-Organizer/dp/B09B1BHBMM> (Year: 2021).*
<https://www.containerstore.com/s/drawer-organizers/expandable-acacia-utensil-tray/1d?productId=11011629&theme=expandable%20drawer%20organizer&pos=16> (made publicly available prior to Feb. 11, 2021).
<https://www.target.com/p/bamboo-expandable-flatware-drawer-organizer-threshold-8482/-/A-14771050%23Ink=sametab> (made publicly available prior to Feb. 11, 2021).
 Sorbus Flatware Drawer Organizer, site visited Feb. 10, 2021 URL: <https://www.amazon.com/dp/B079QBSN5J>.
 mDesign Plastic Adjustable/Expandable Divided Drawer Storage Organizer, site visited Feb. 10, 2021 URL: <https://www.amazon.com/dp/B07Q59Z68J>.

* cited by examiner

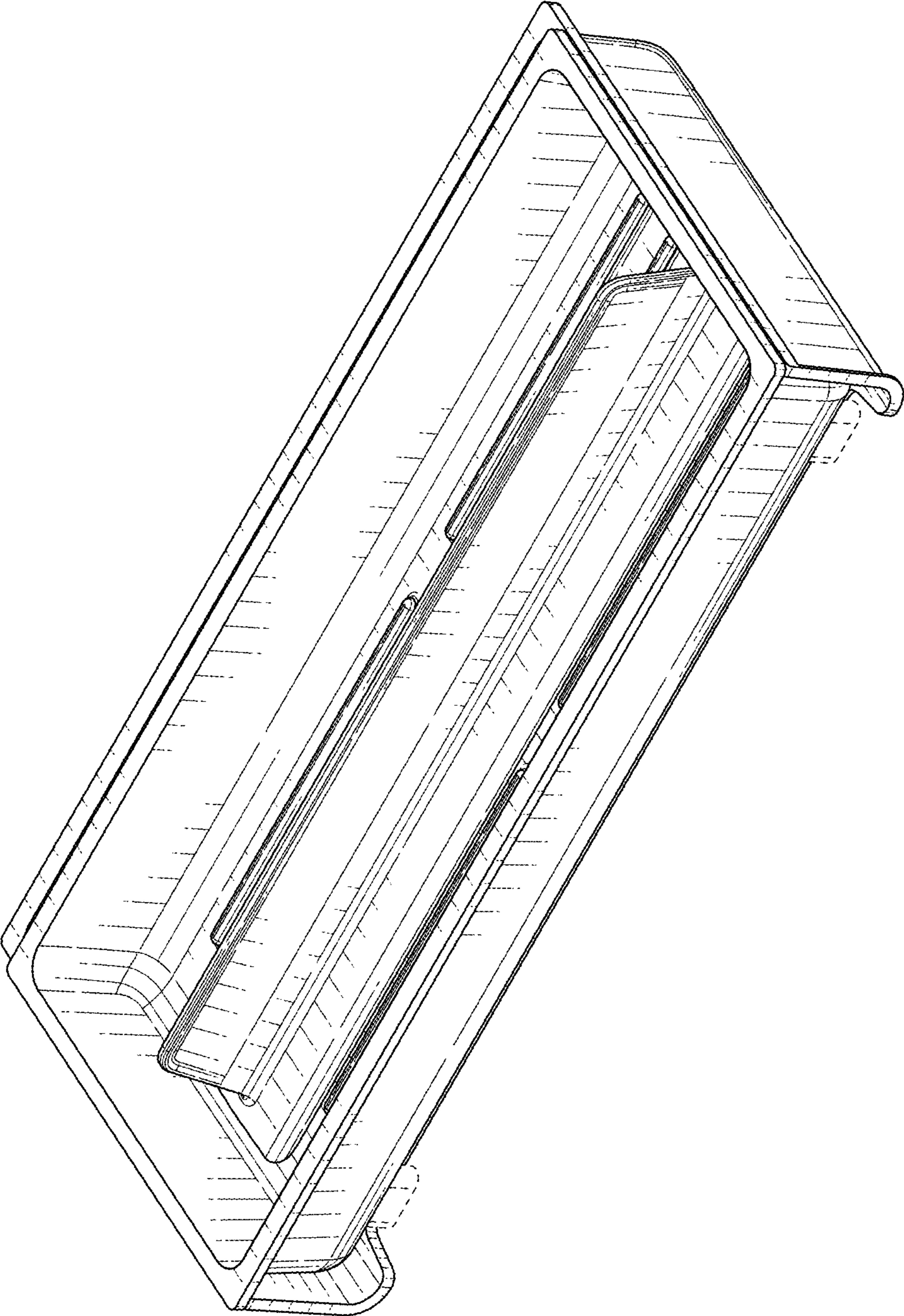


FIG. 1

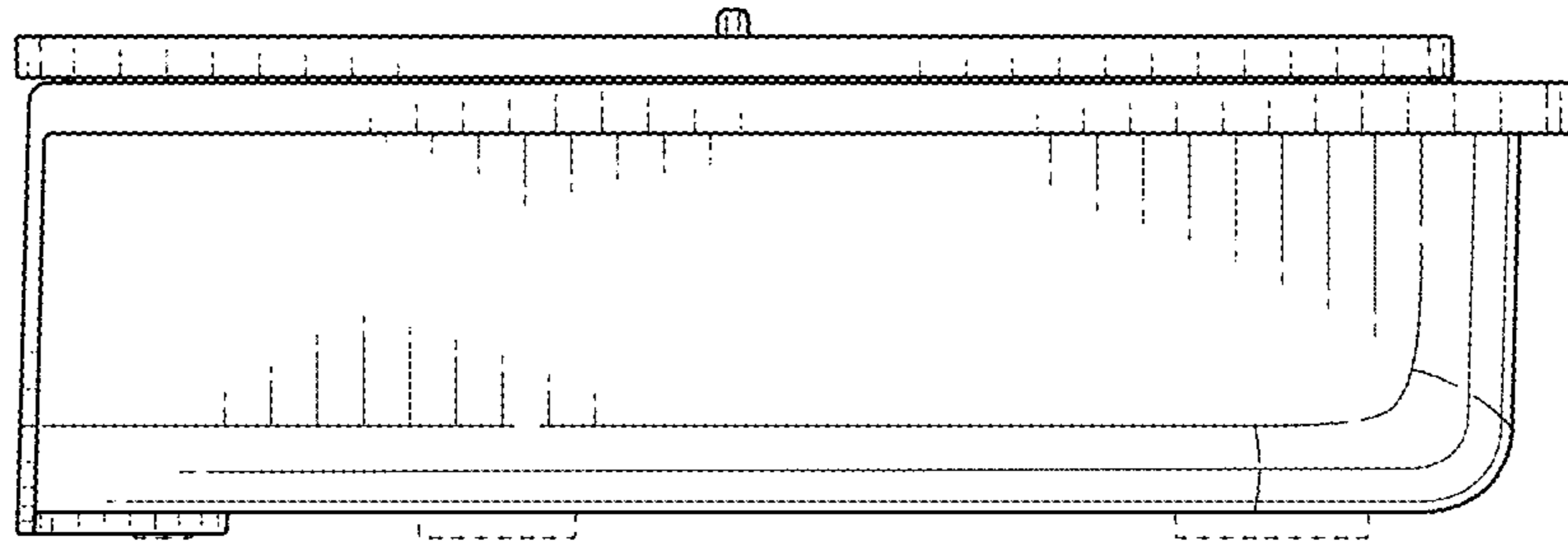


FIG. 2

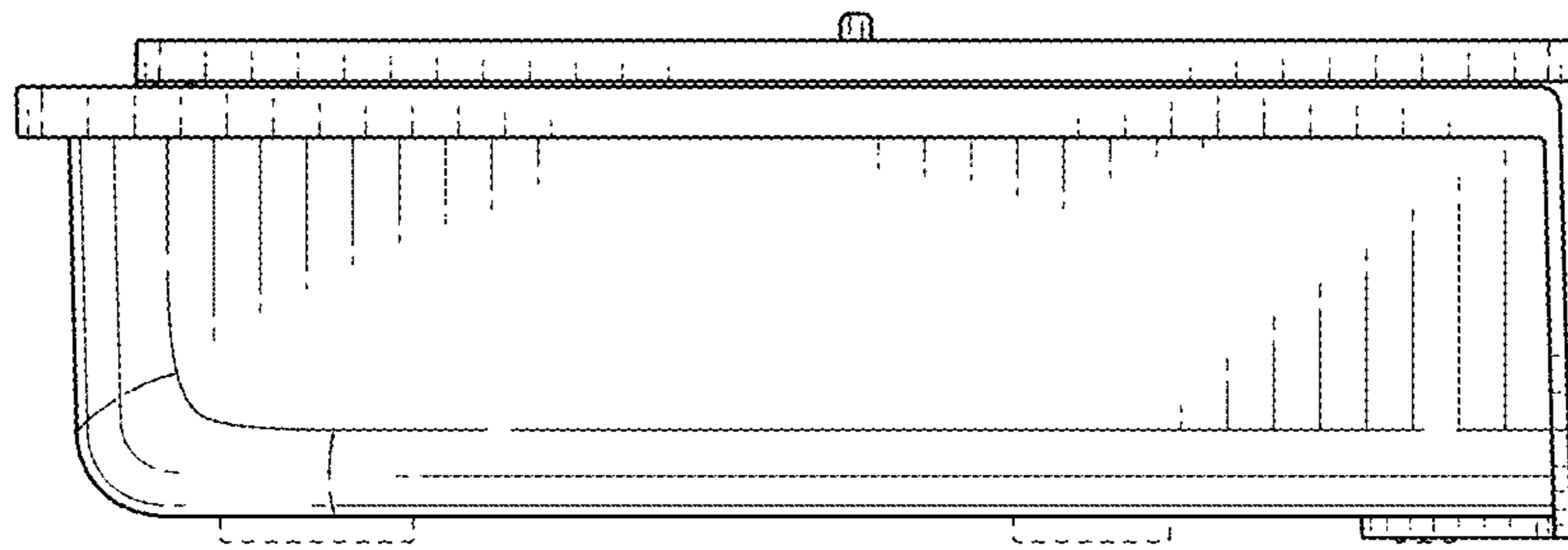


FIG. 3

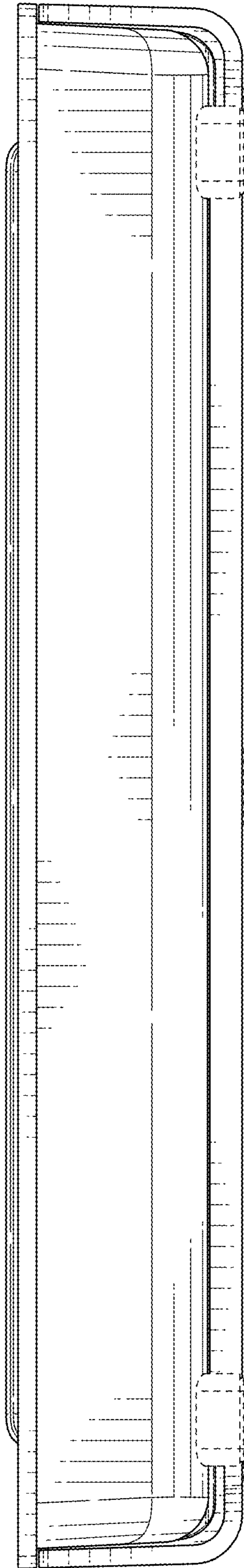


FIG. 4

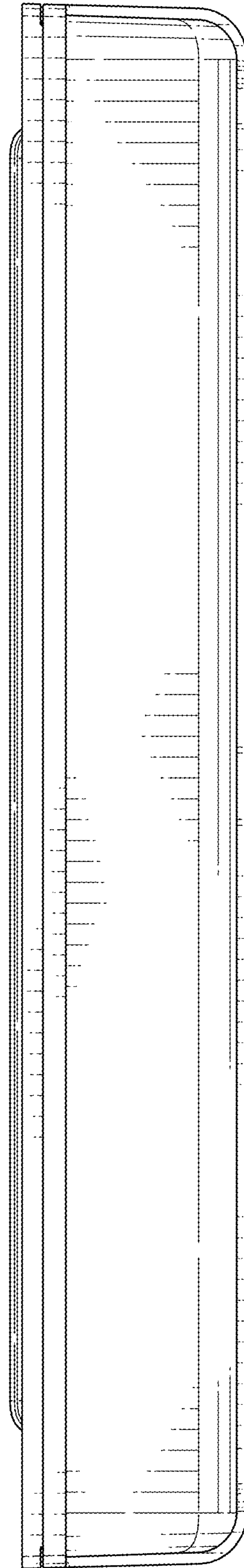


FIG. 5

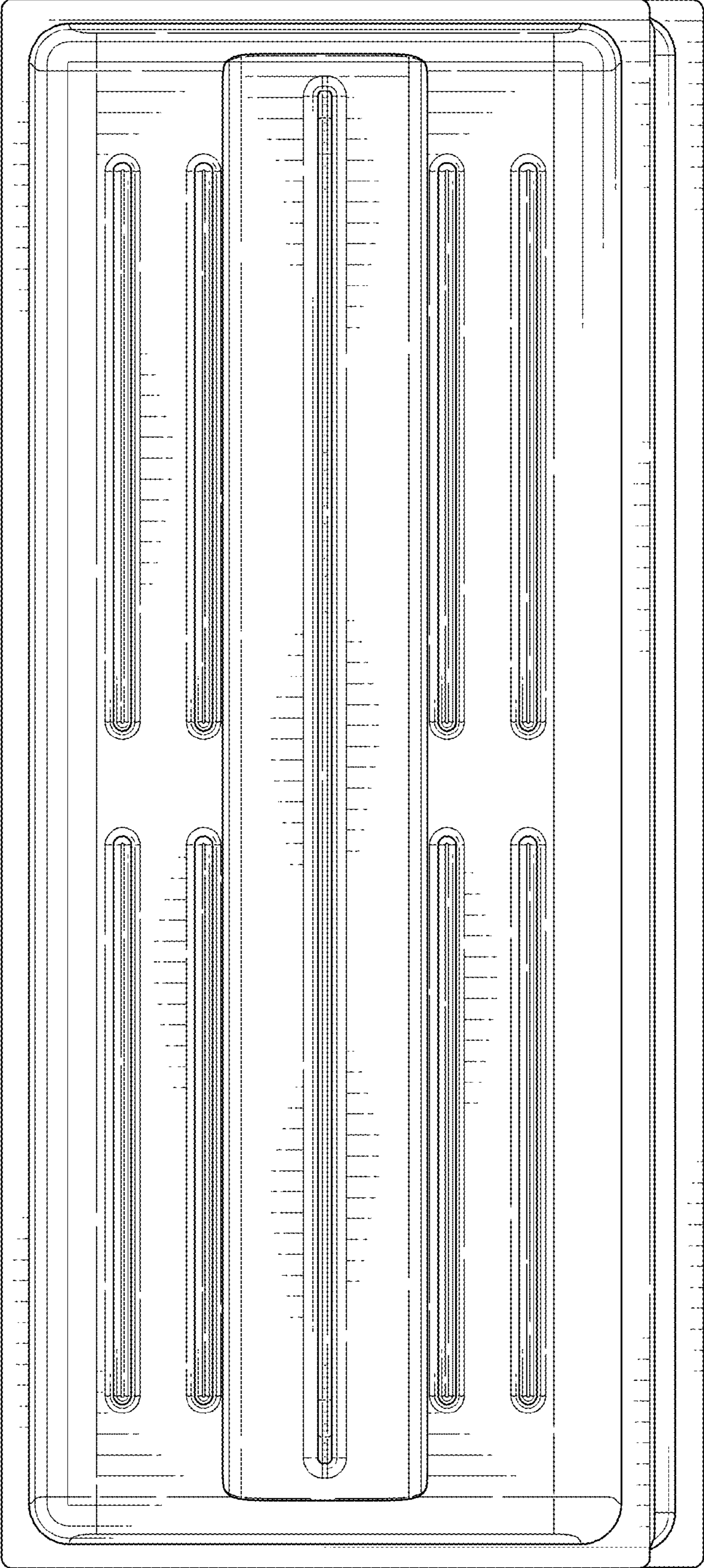


FIG. 6

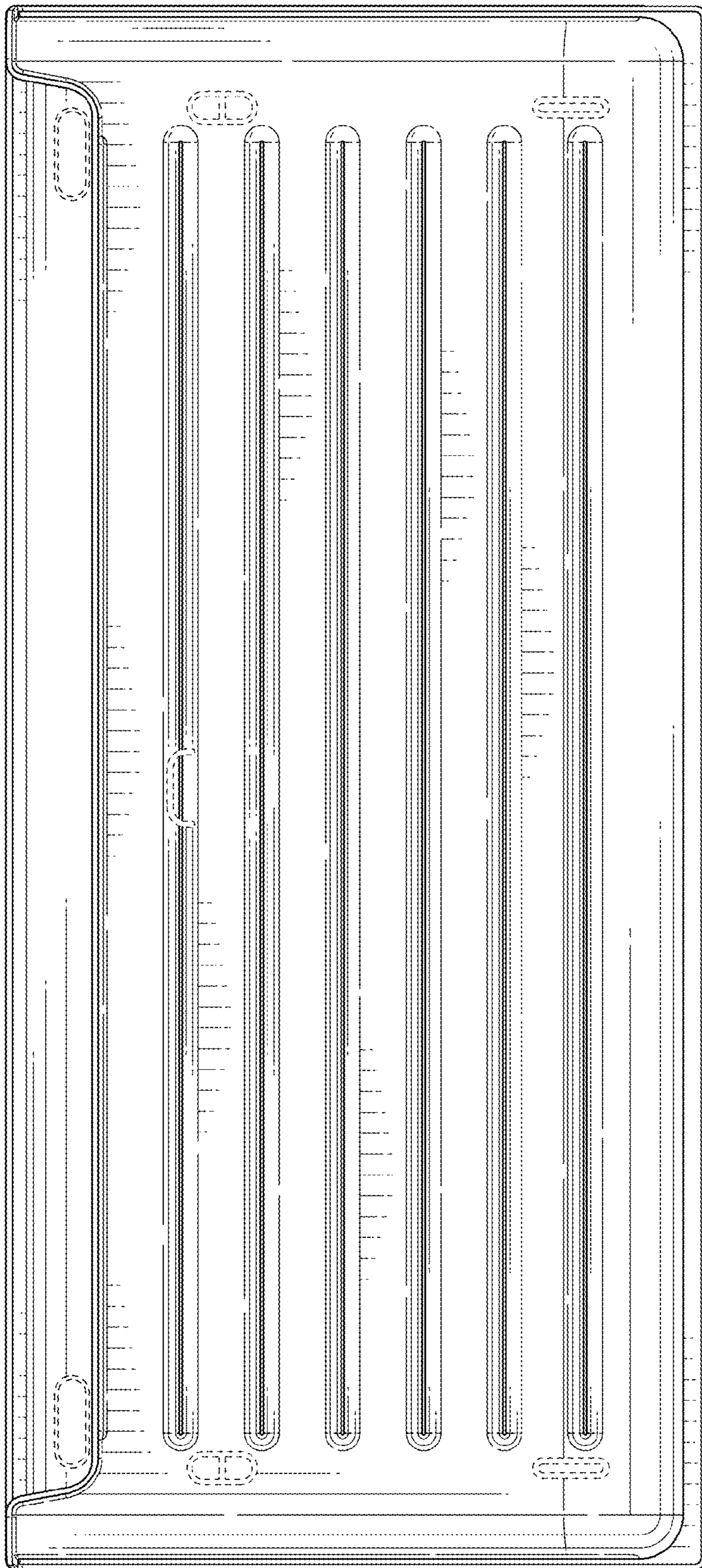


FIG. 7

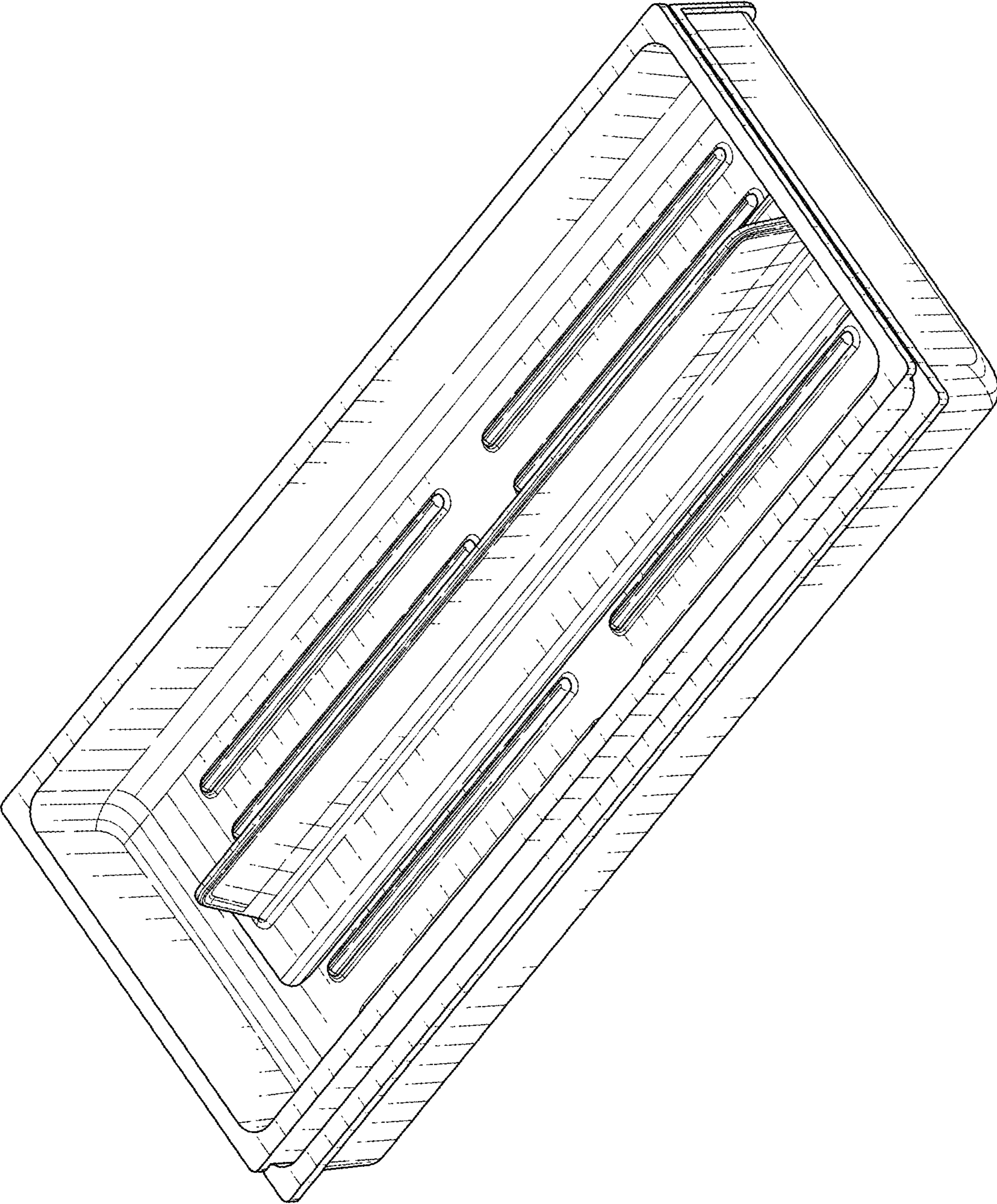


FIG. 8

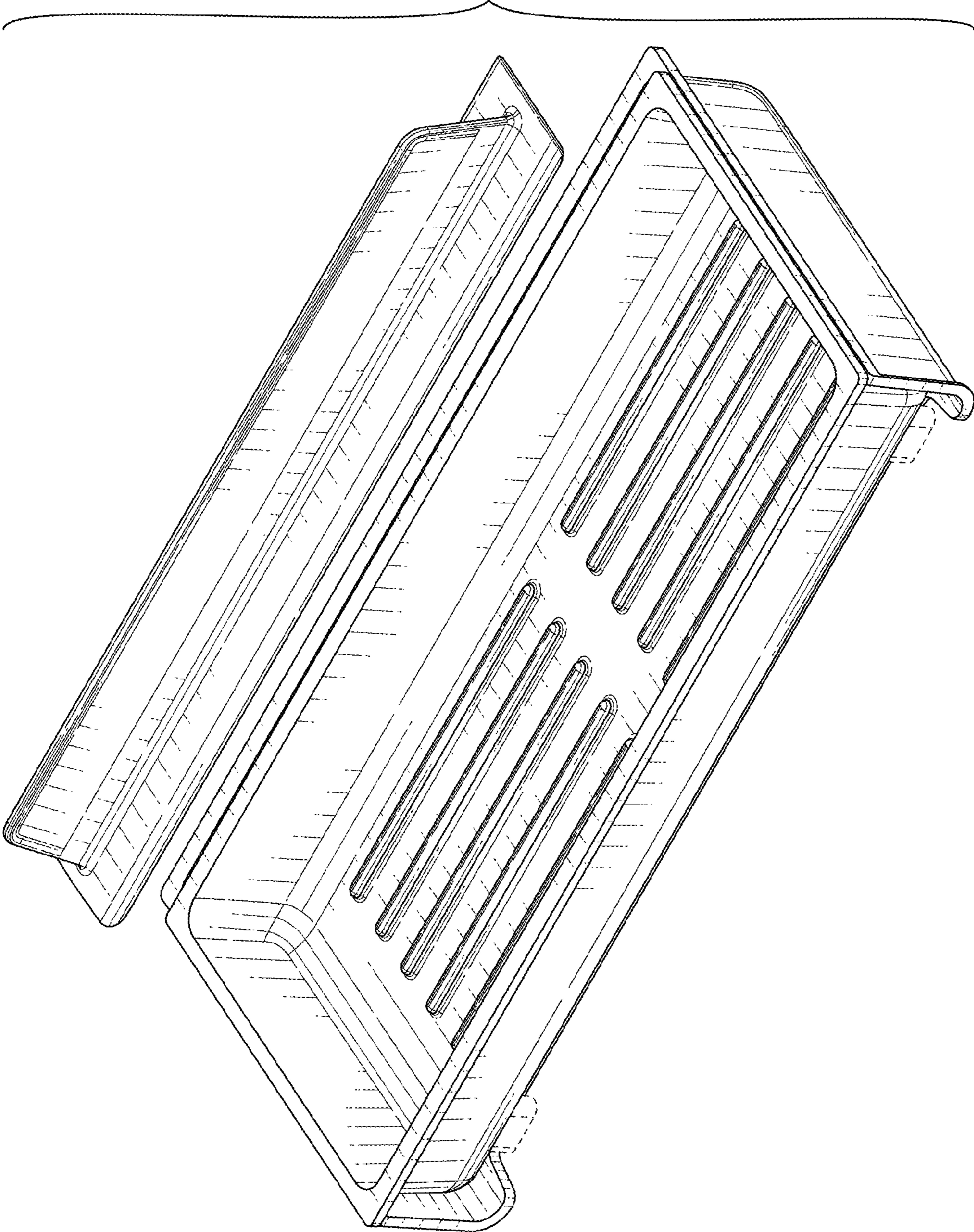
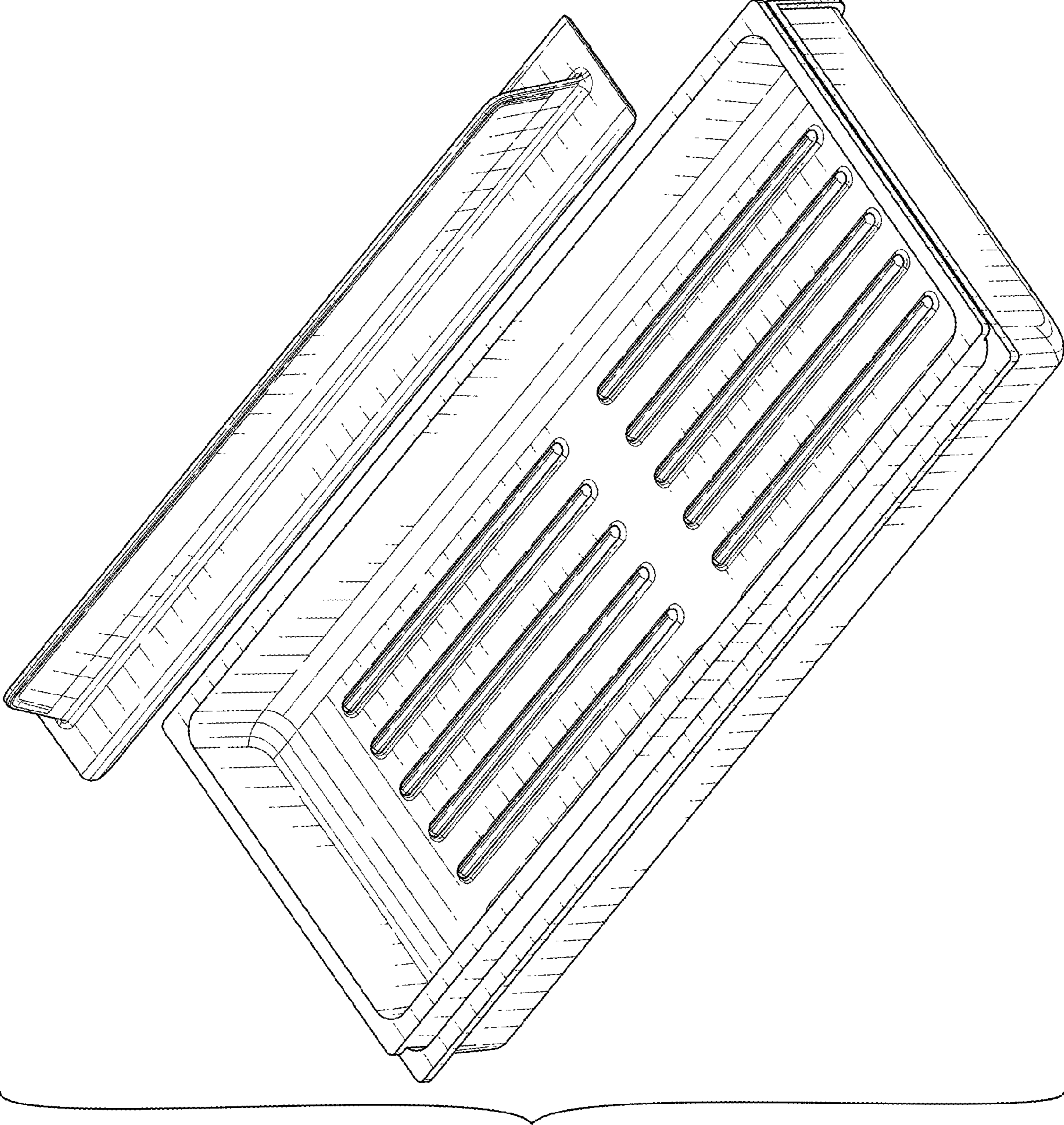


FIG. 9

FIG. 10



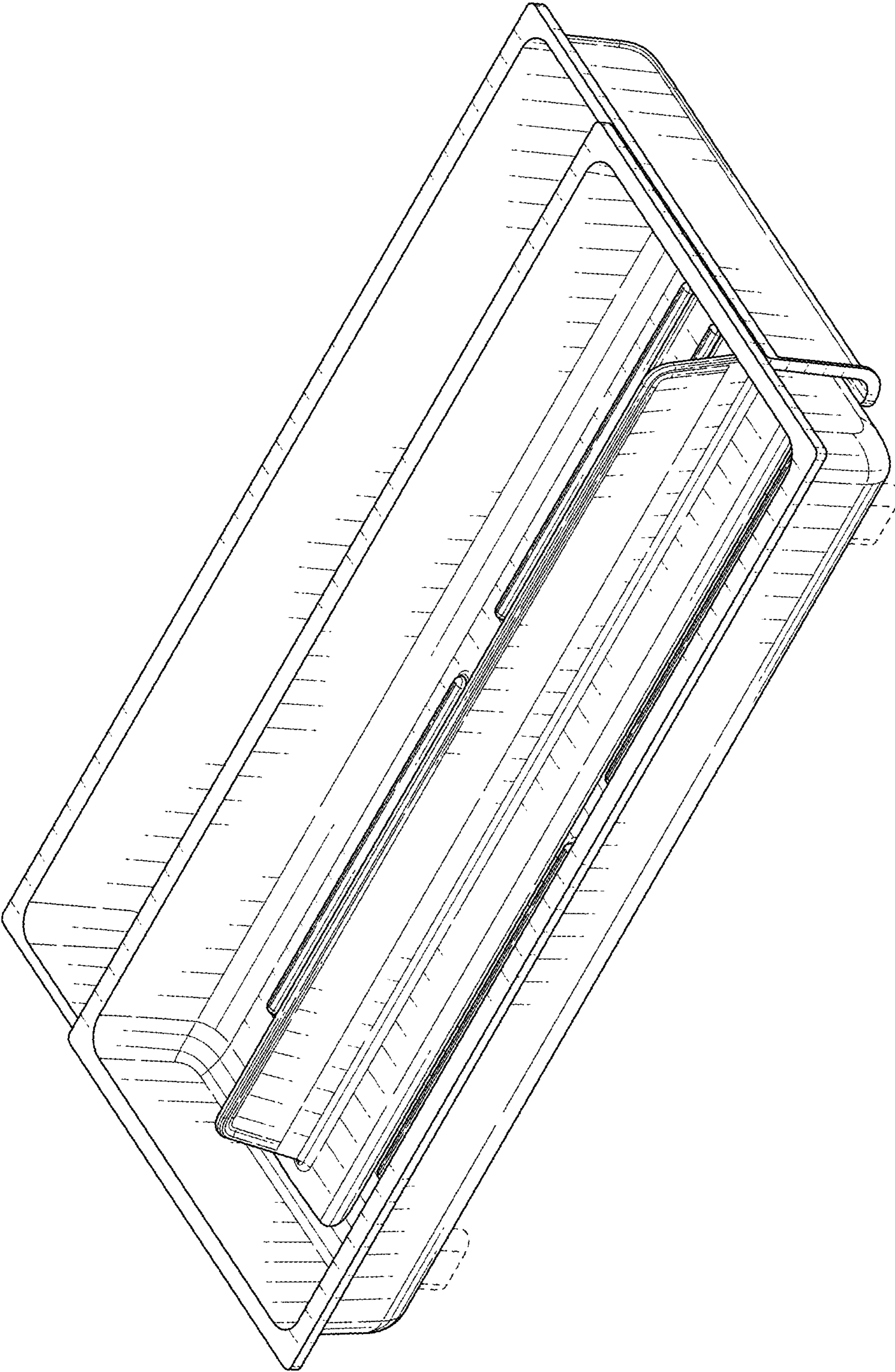


FIG. 11

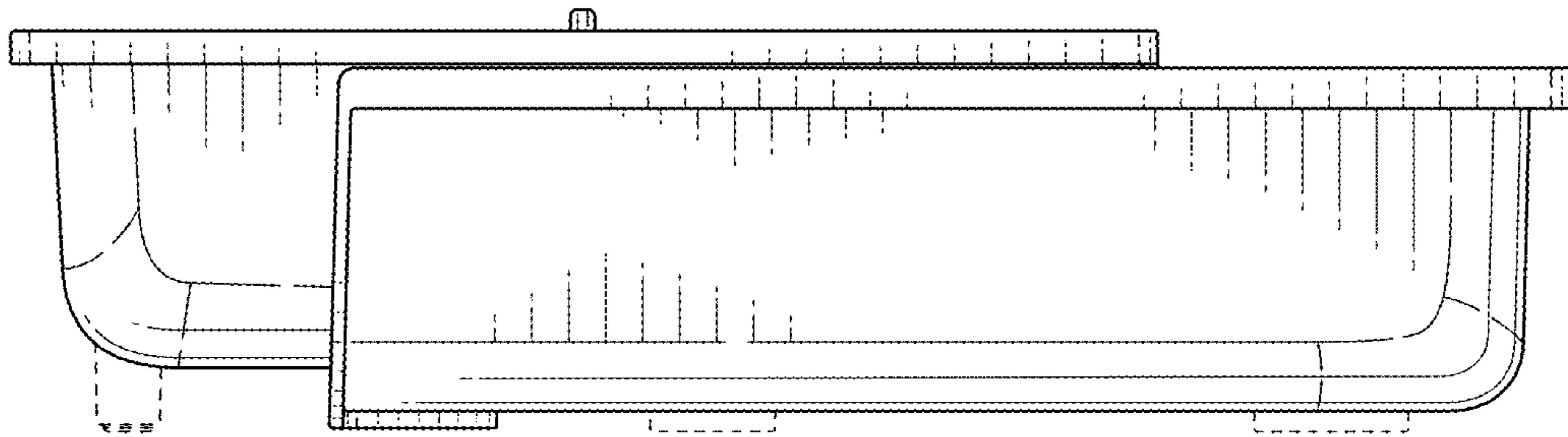


FIG. 12

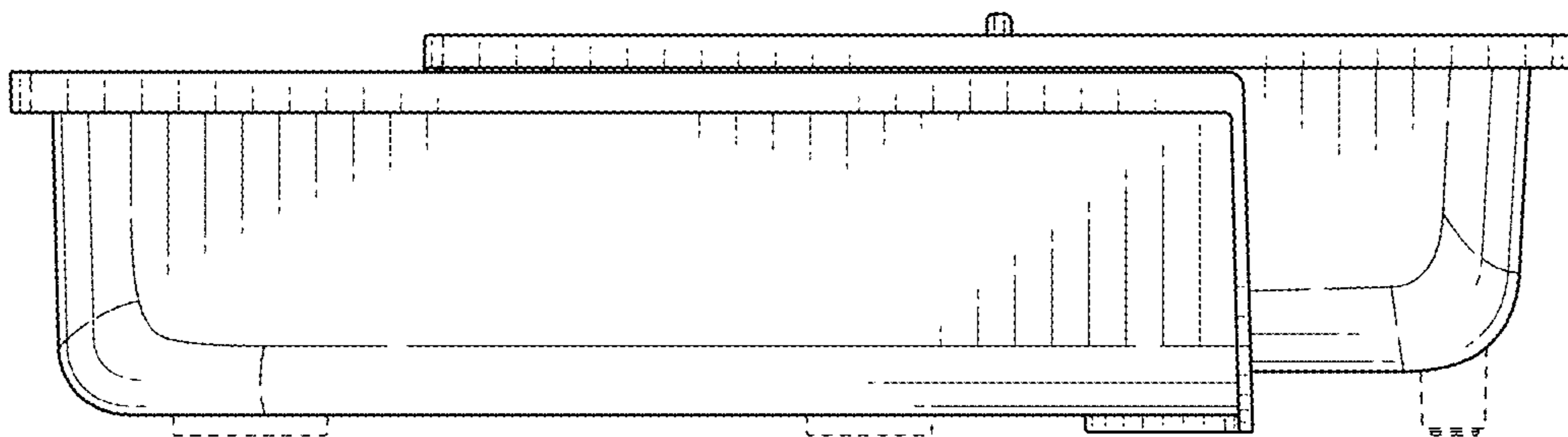


FIG. 13

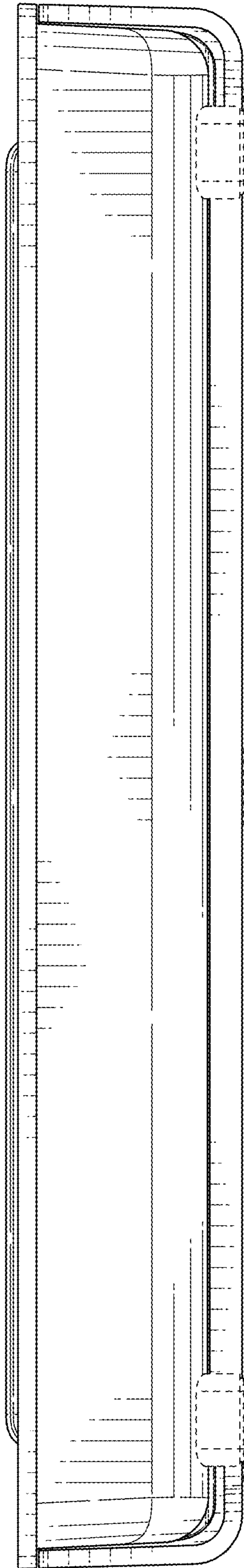


FIG. 14

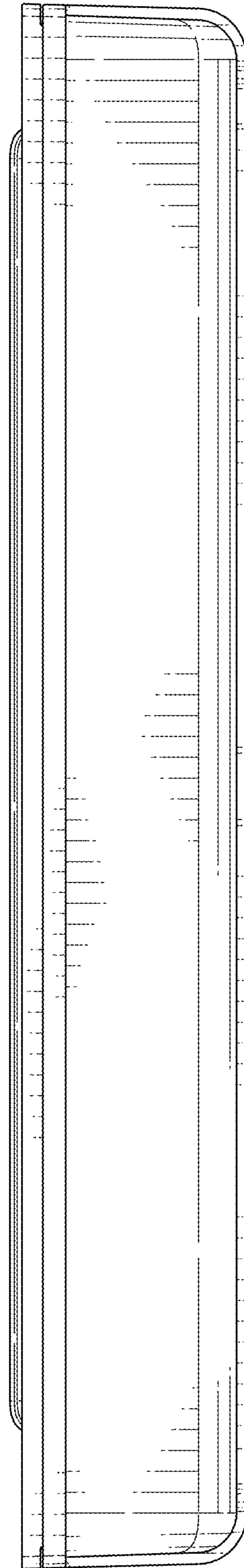


FIG. 15

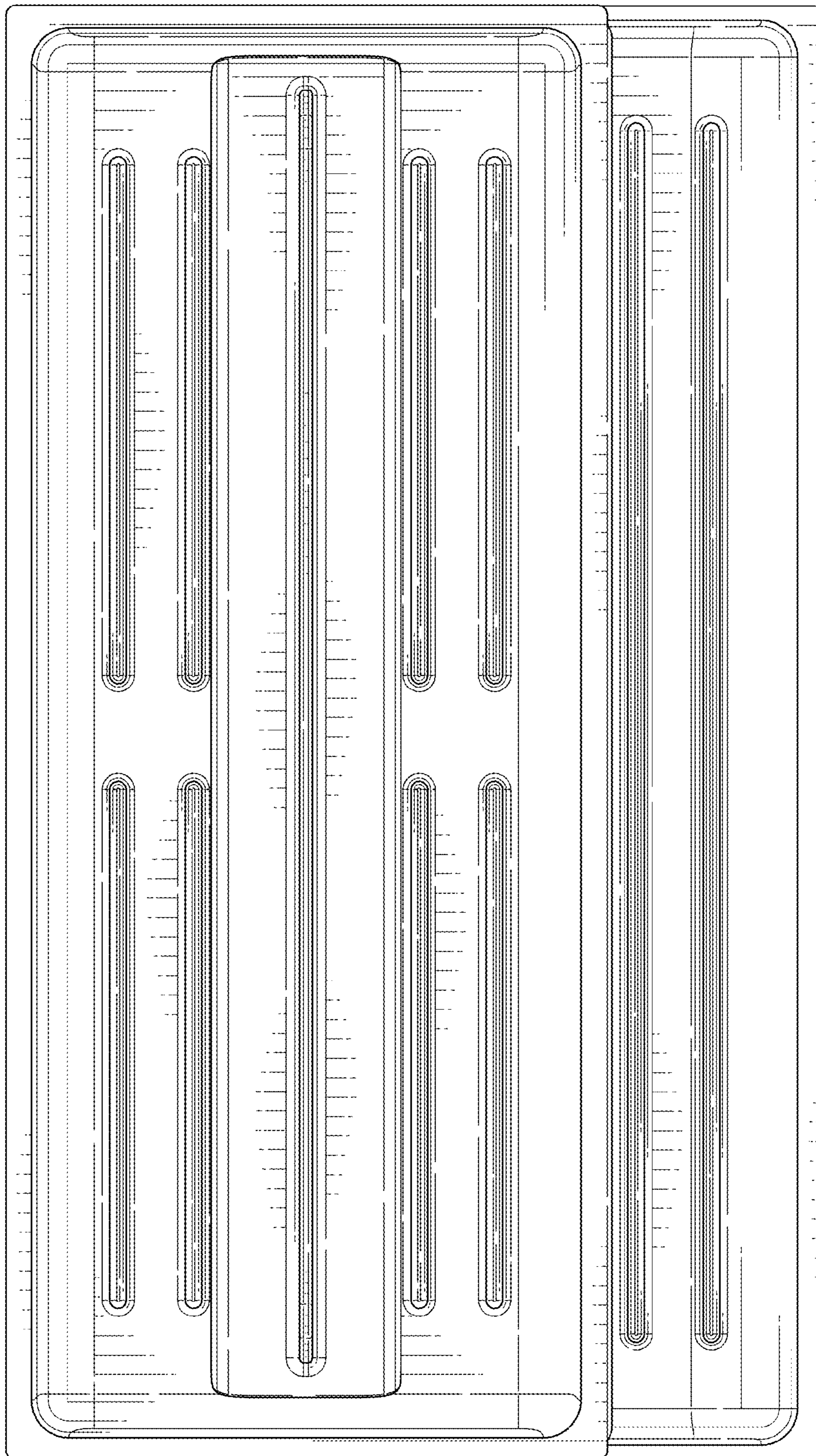


FIG. 16

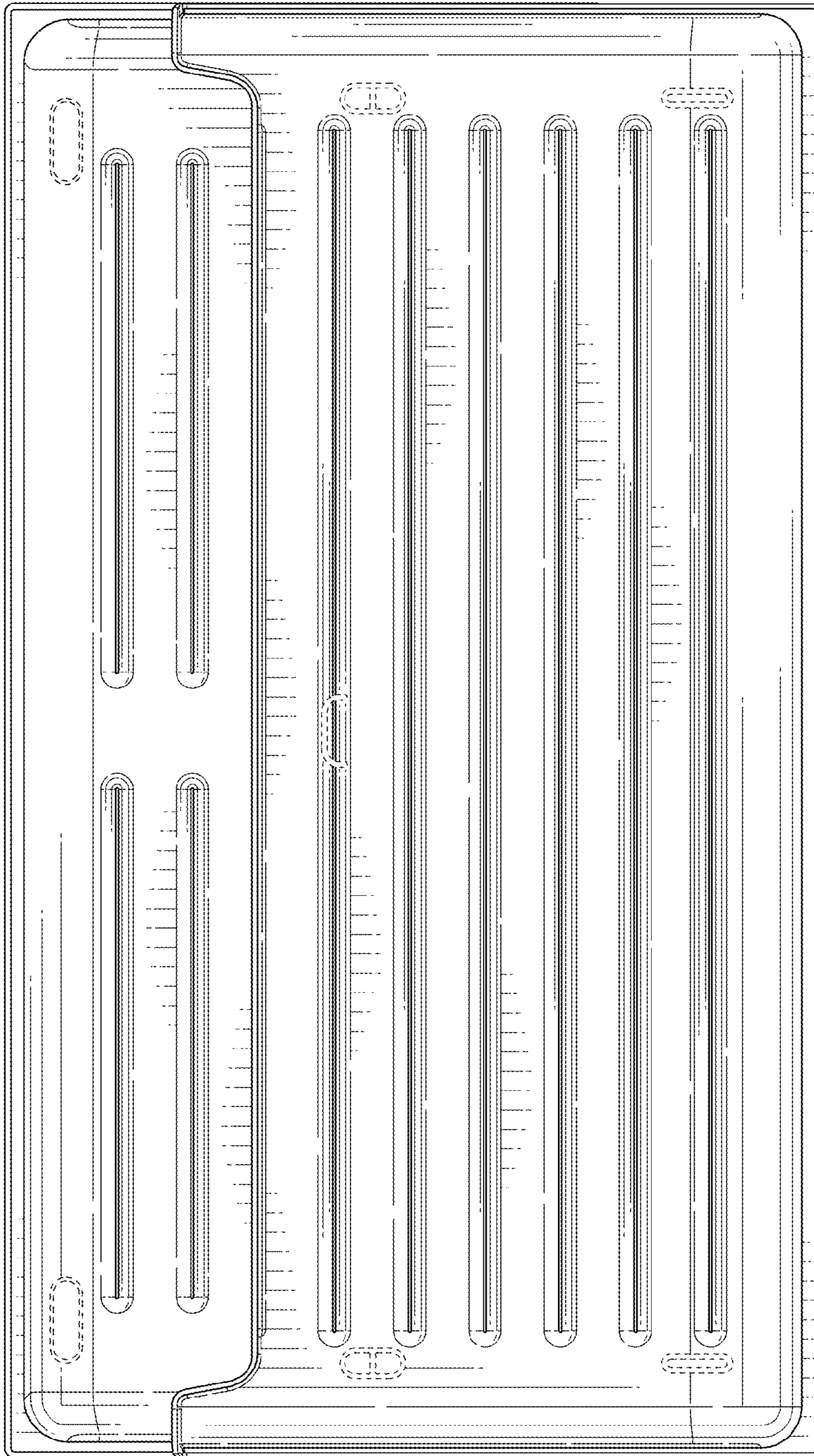


FIG. 17

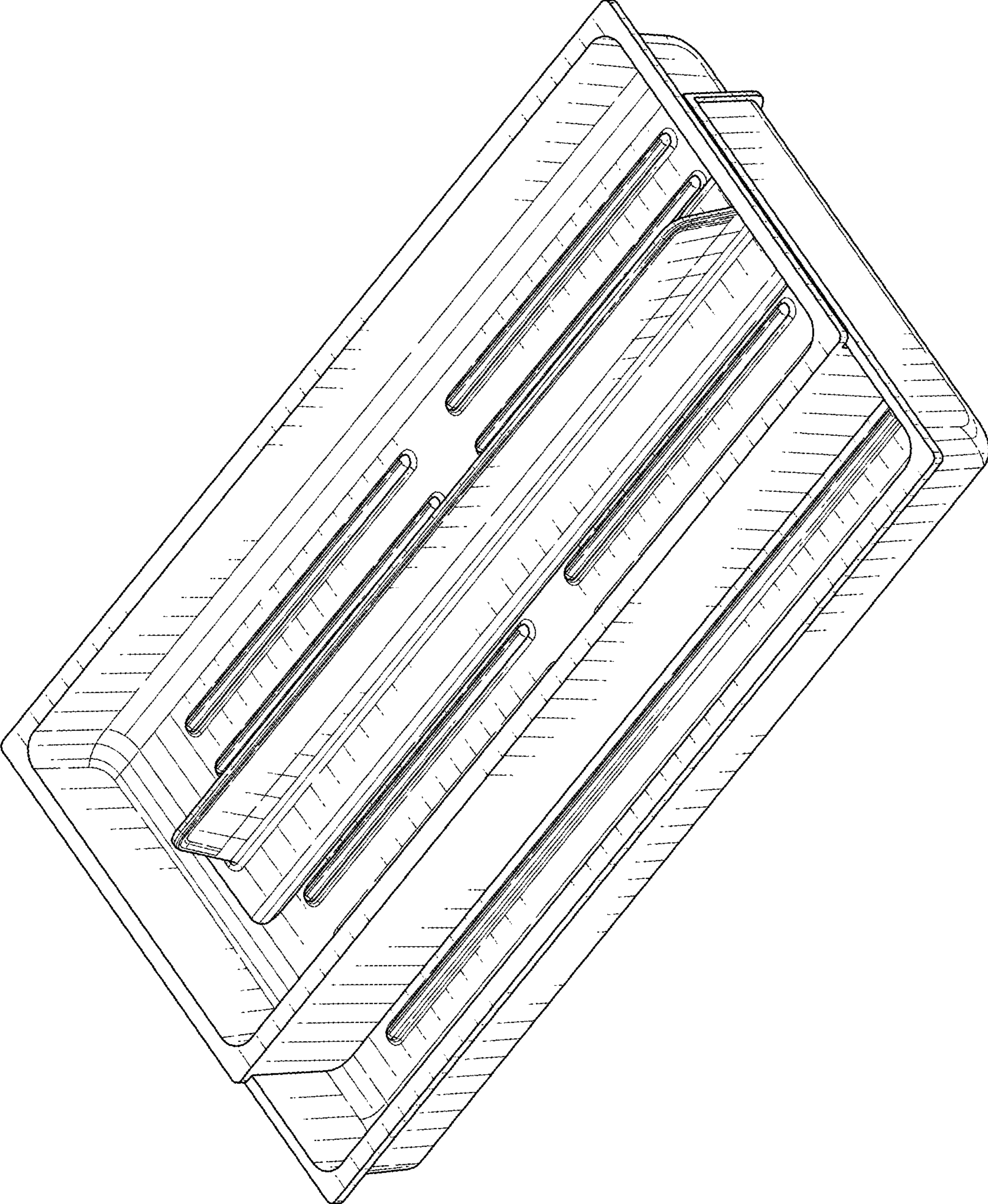


FIG. 18

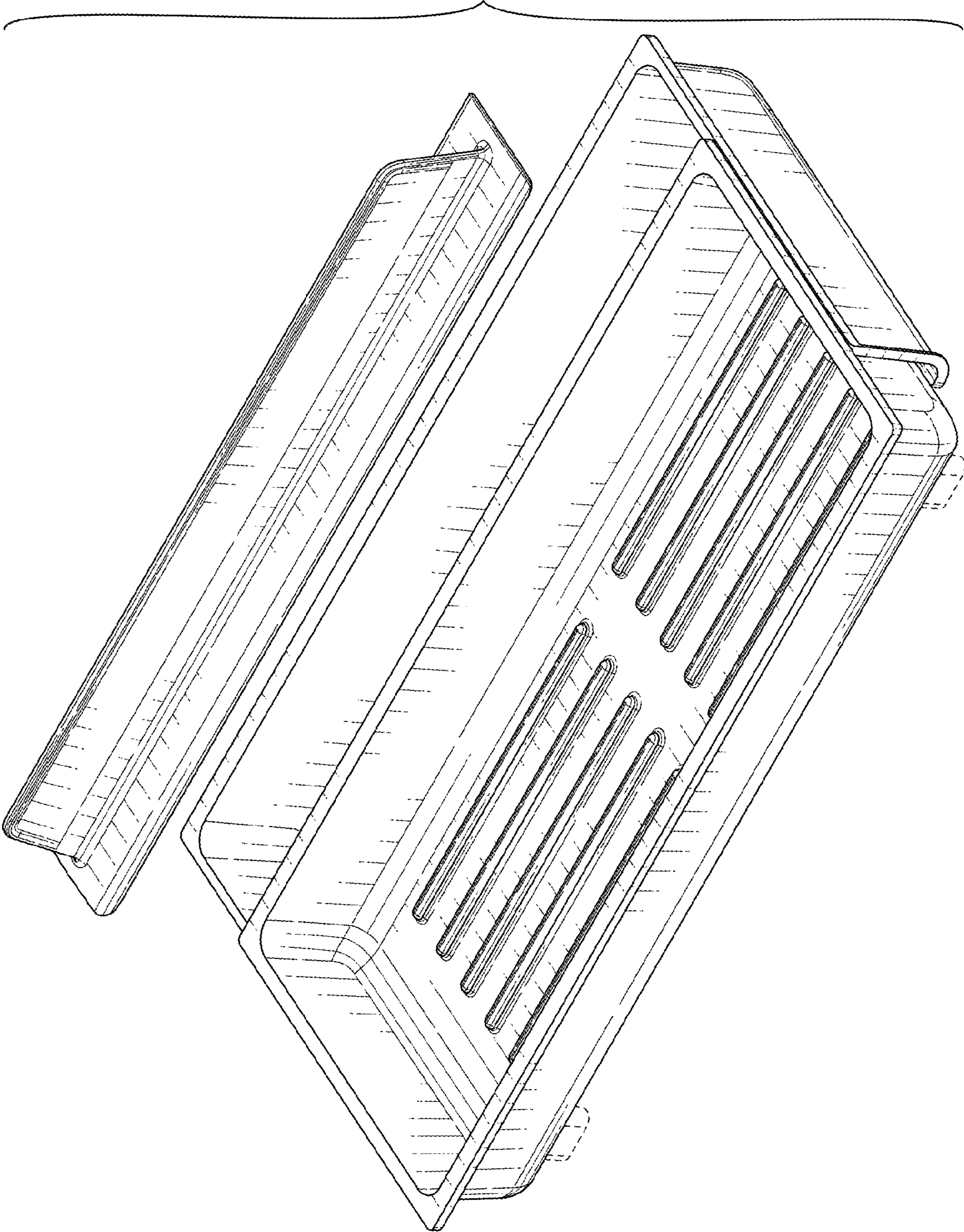


FIG. 19

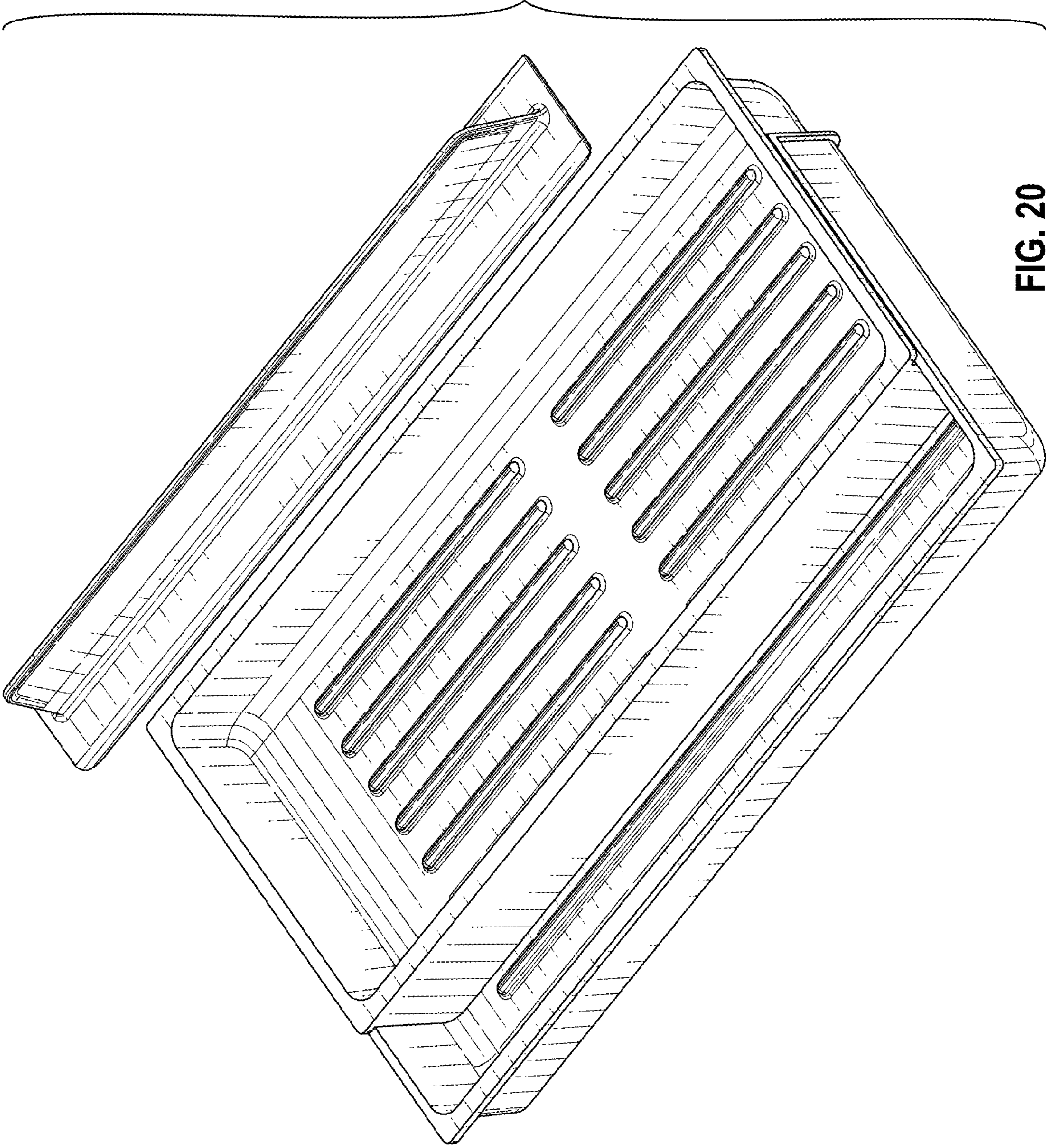


FIG. 20