



US00D971689S

(12) **United States Design Patent**
Yang

(10) **Patent No.:** **US D971,689 S**

(45) **Date of Patent:** **** Dec. 6, 2022**

(54) **BENTO BOX**

(71) Applicant: **DONGGUAN SHIPU LANHUA E-COMMERCE CO., LTD.**,
Dongguan (CN)

(72) Inventor: **Haiming Yang**, Shaoyang (CN)

(73) Assignee: **DONGGUAN SHIPU LANHUA E-COMMERCE CO., LTD.**,
Dongguan (CN)

(**) Term: **15 Years**

(21) Appl. No.: **29/807,668**

(22) Filed: **Sep. 14, 2021**

(51) **LOC (13) Cl.** **09-07**

(52) **U.S. Cl.**
USPC **D7/629**

(58) **Field of Classification Search**
USPC D7/601, 602, 629; D9/414, 420, 424,
D9/430, 432, 434, 435; D3/203.1, 203.6;
D19/102, 104, 106
CPC A45C 11/20; A45C 11/34; A45C 11/36;
B65D 81/34; B65D 85/30; B65D 25/04
See application file for complete search history.

(56) **References Cited**

U.S. PATENT DOCUMENTS

D517,311 S *	3/2006	Kim	D3/218
D682,052 S *	5/2013	Thomas	D7/629
D763,629 S *	8/2016	Swartz	D7/629
D825,284 S *	8/2018	Morales	D7/629
D830,778 S *	10/2018	Li	D7/542
D832,656 S	11/2018	Sun et al.		
10,173,826 B2 *	1/2019	Sexton	B65B 7/2842
D878,876 S *	3/2020	Dalton	D7/629
D880,957 S *	4/2020	Xu	D7/629
D883,754 S *	5/2020	Xu	D7/629
D885,144 S	5/2020	Huckestein et al.		
D904,133 S *	12/2020	Armistead	D7/629

D904,134 S *	12/2020	Choi	D7/629
D911,117 S *	2/2021	Xu	D7/602
D951,727 S *	5/2022	Zhong	D7/703
D955,179 S *	6/2022	Voisin	D7/602
2004/0084464 A1 *	5/2004	Koo	B65D 45/18 220/784
2005/0006390 A1 *	1/2005	Wang	B65D 45/30 220/326
2005/0035125 A1 *	2/2005	Bae	B65D 45/20 220/784
2021/0345743 A1 *	11/2021	Ribeiro Ruiz	A47J 36/2483

OTHER PUBLICATIONS

MINCOCO Bento box | posted at Amazon.com, posted on Sep. 28, 2020, © 1996-2022 Amazon.com, [online], [site visited Aug. 27, 2022]. Available from Internet, <URL: <https://www.amazon.com/dp/B08K8NM9ZK/>> (Year: 2020).*

* cited by examiner

Primary Examiner — Andrew Kerr

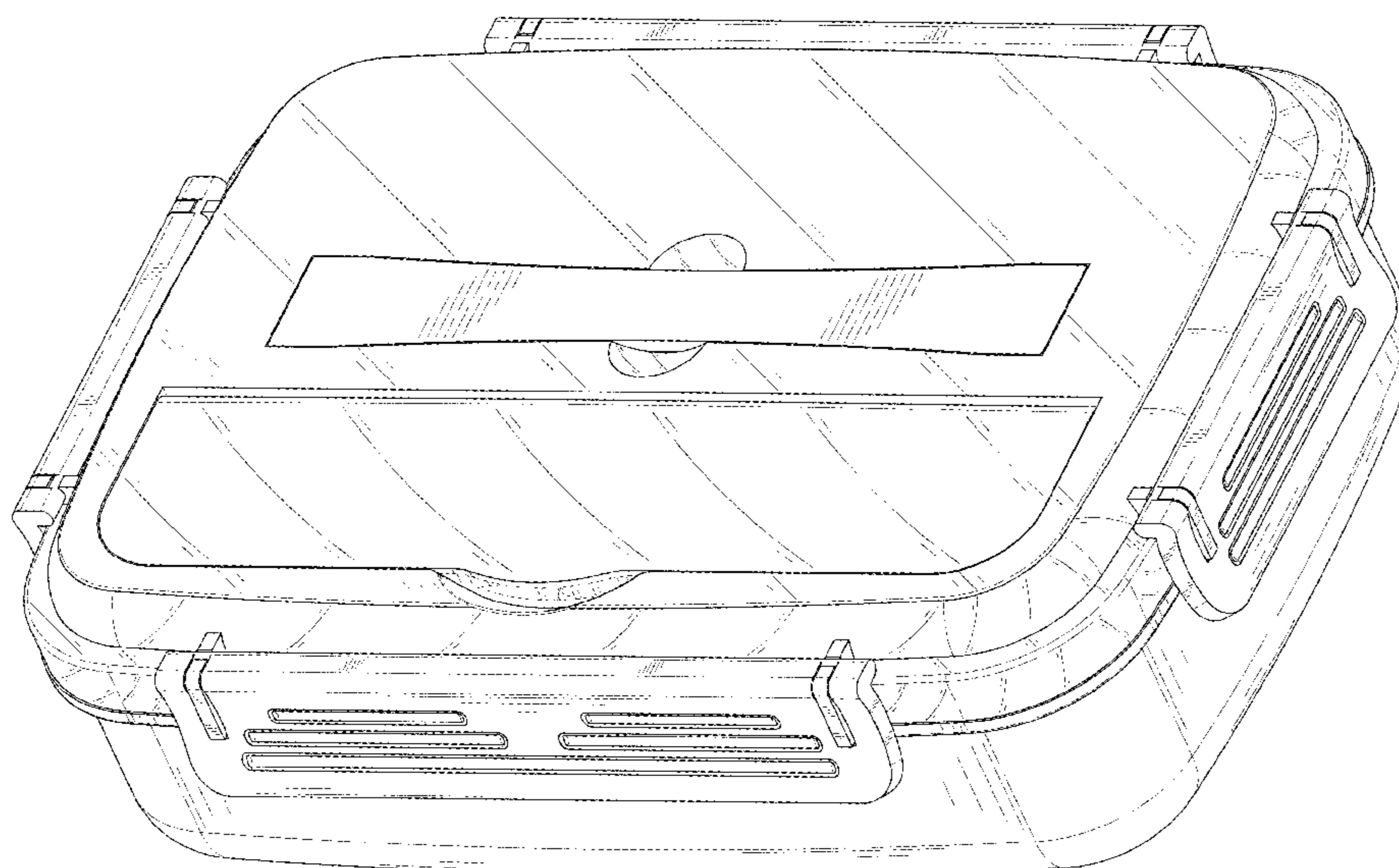
(57) **CLAIM**

The ornamental design for a bento box, as shown and described.

DESCRIPTION

FIG. 1 is a perspective view of a bento box showing my new design;
FIG. 2 is another perspective view thereof;
FIG. 3 is a front elevational view thereof;
FIG. 4 is a rear elevational view thereof;
FIG. 5 is a left side elevational view thereof;
FIG. 6 is a right side elevational view thereof;
FIG. 7 is a top plan view thereof;
FIG. 8 is a bottom plan view thereof; and,
FIG. 9 is a perspective view of the bento box where the bento box is in a configuration of use.
The broken lines in the drawings depict portions of the bento box that form no part of the claimed design.

1 Claim, 9 Drawing Sheets



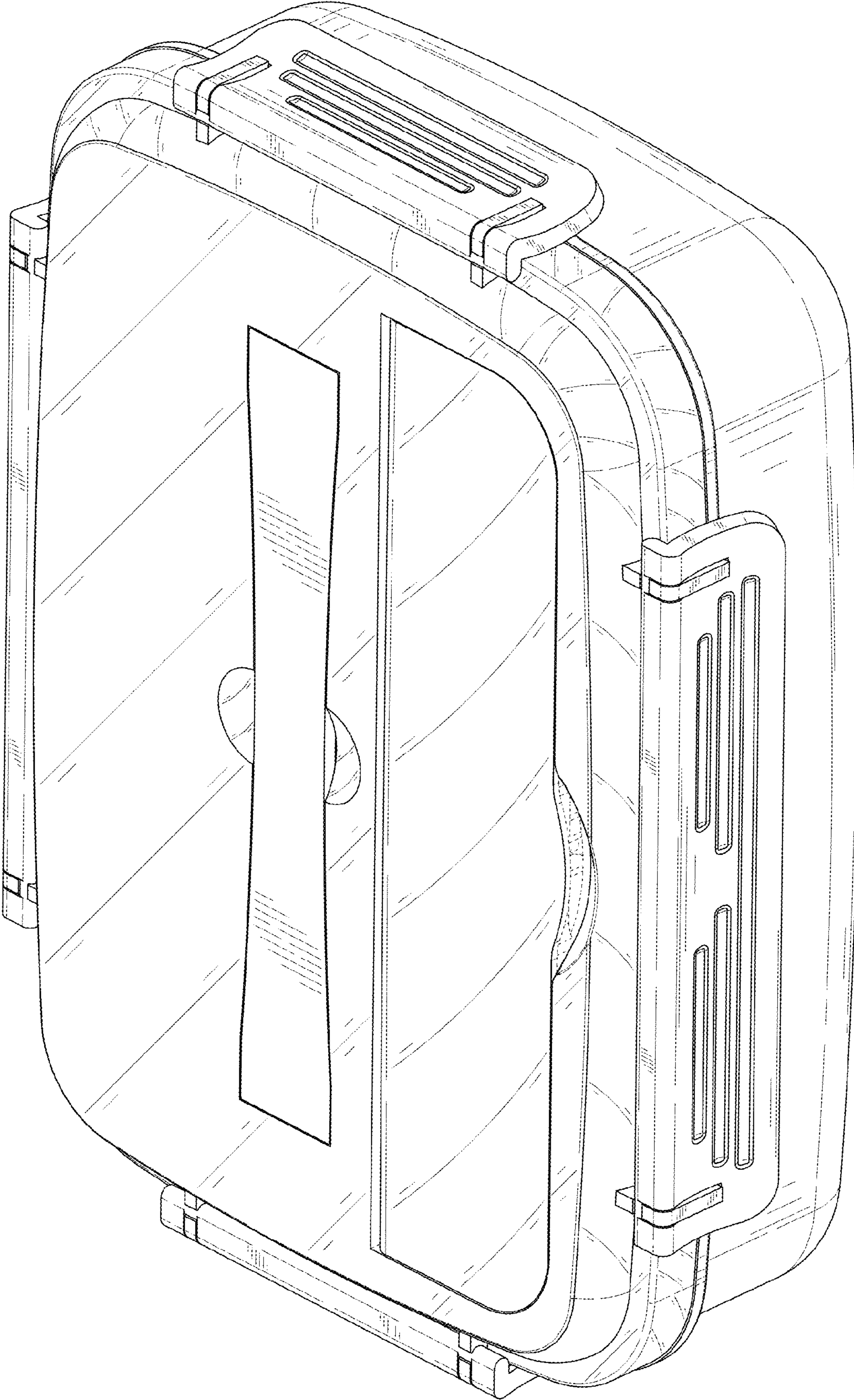


FIG. 1

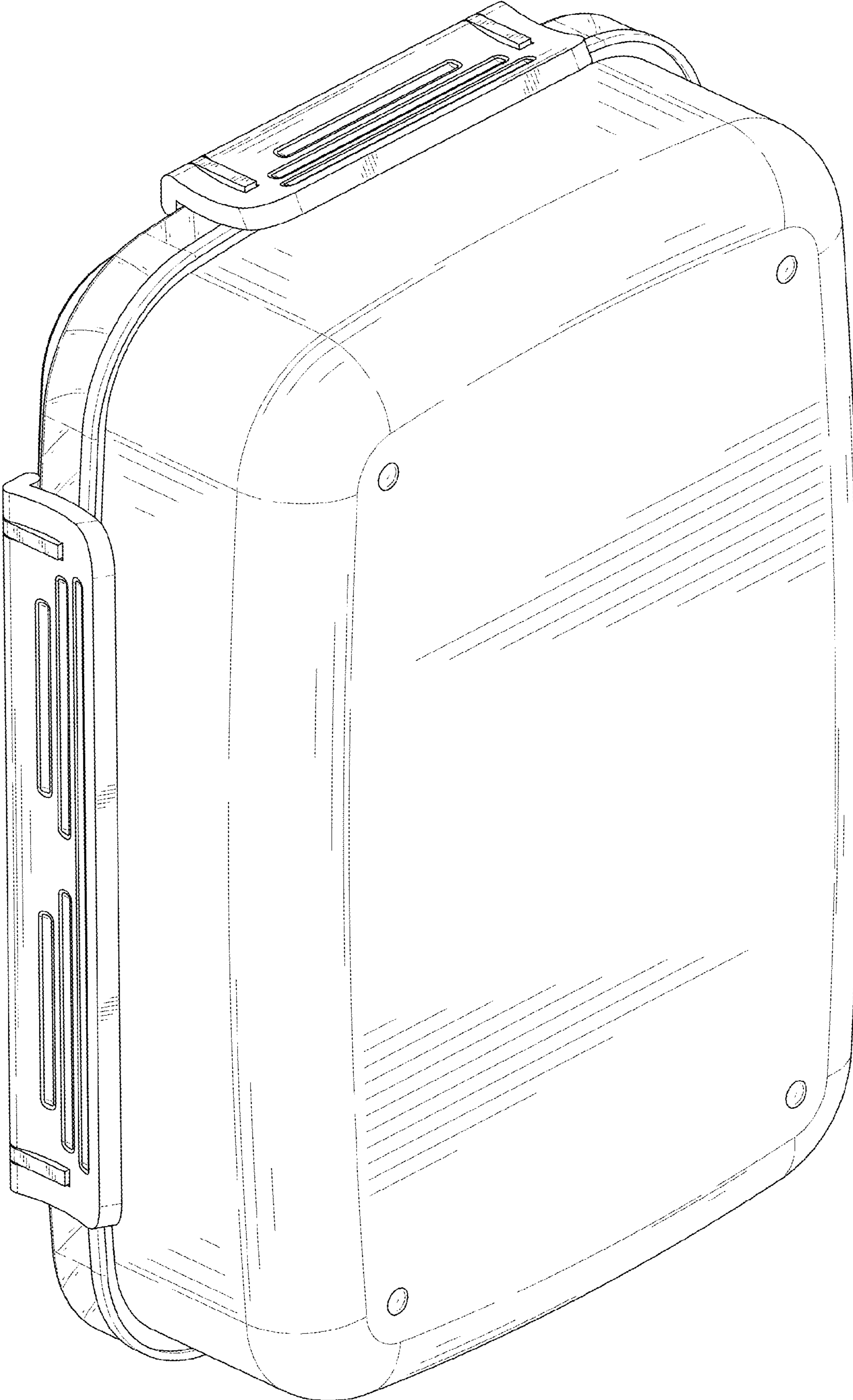


FIG. 2

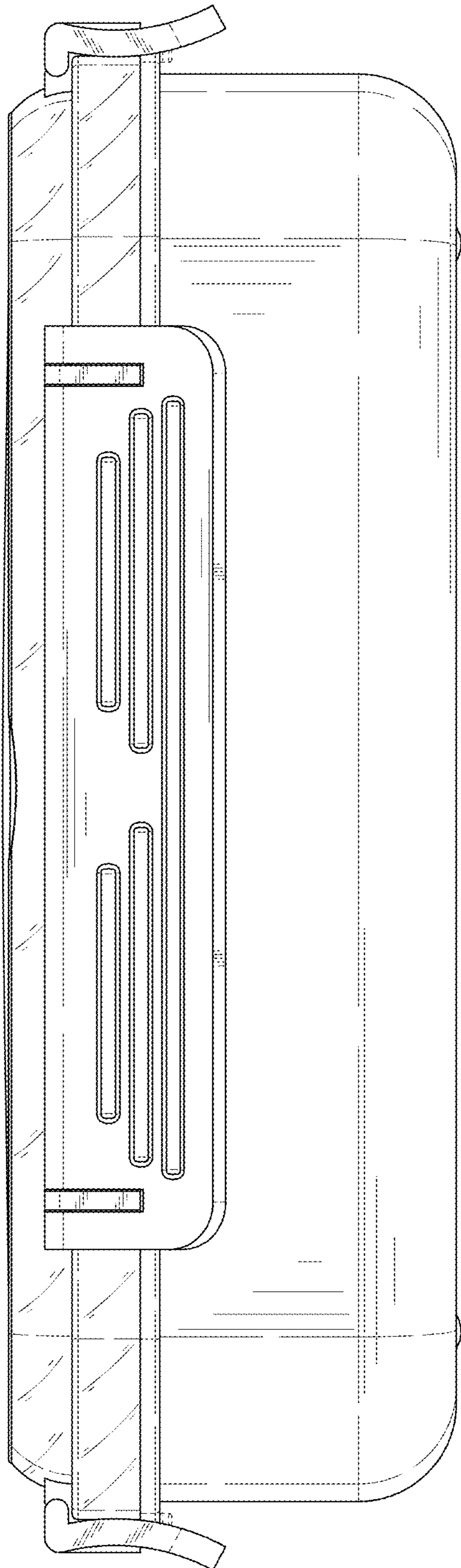


FIG. 3

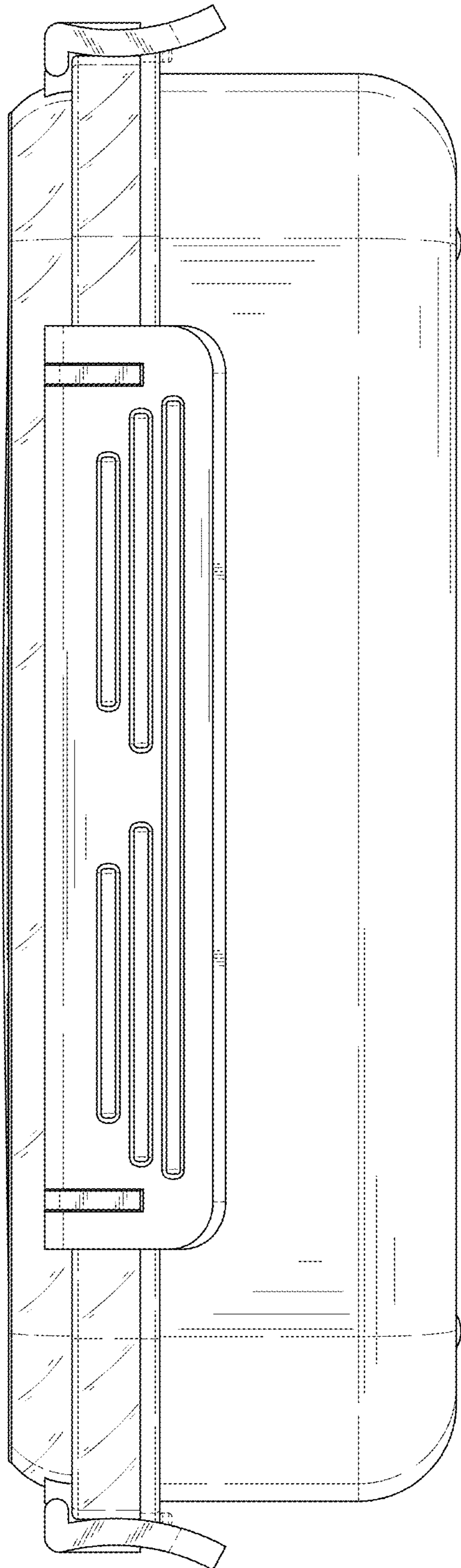


FIG. 4

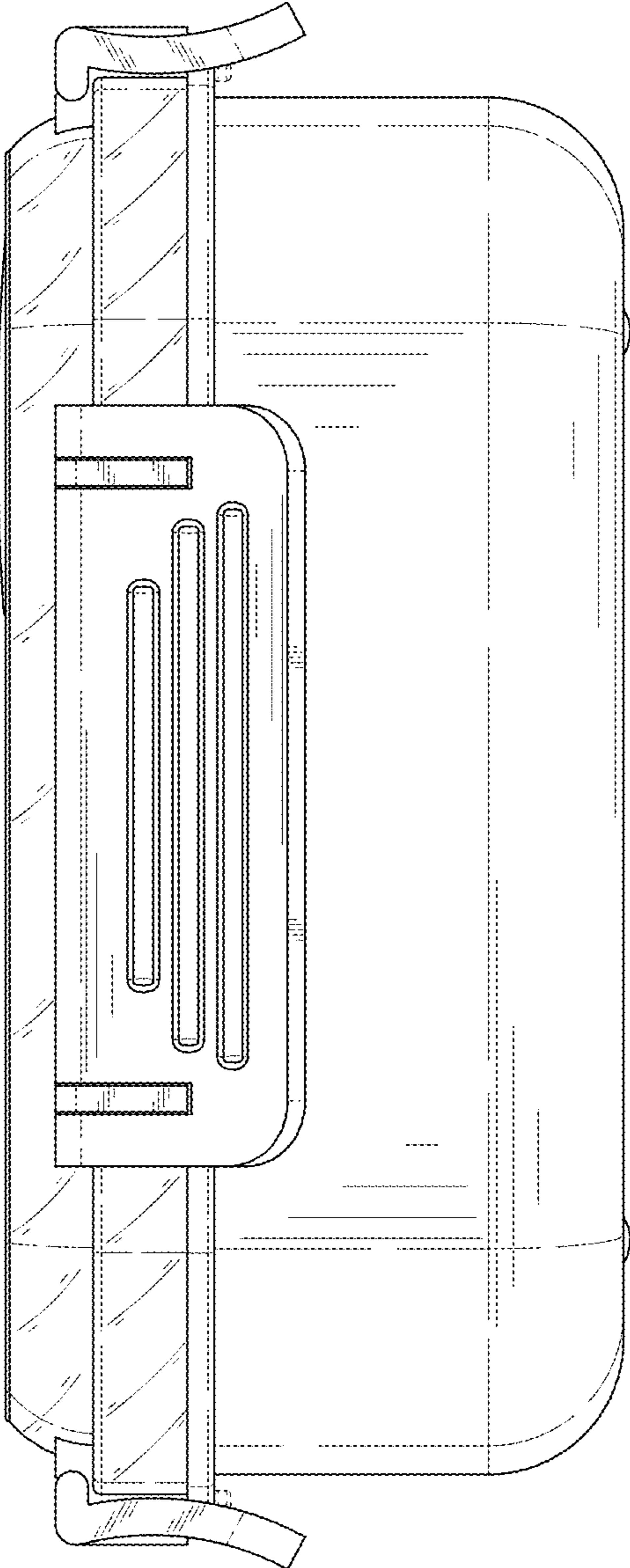


FIG. 5

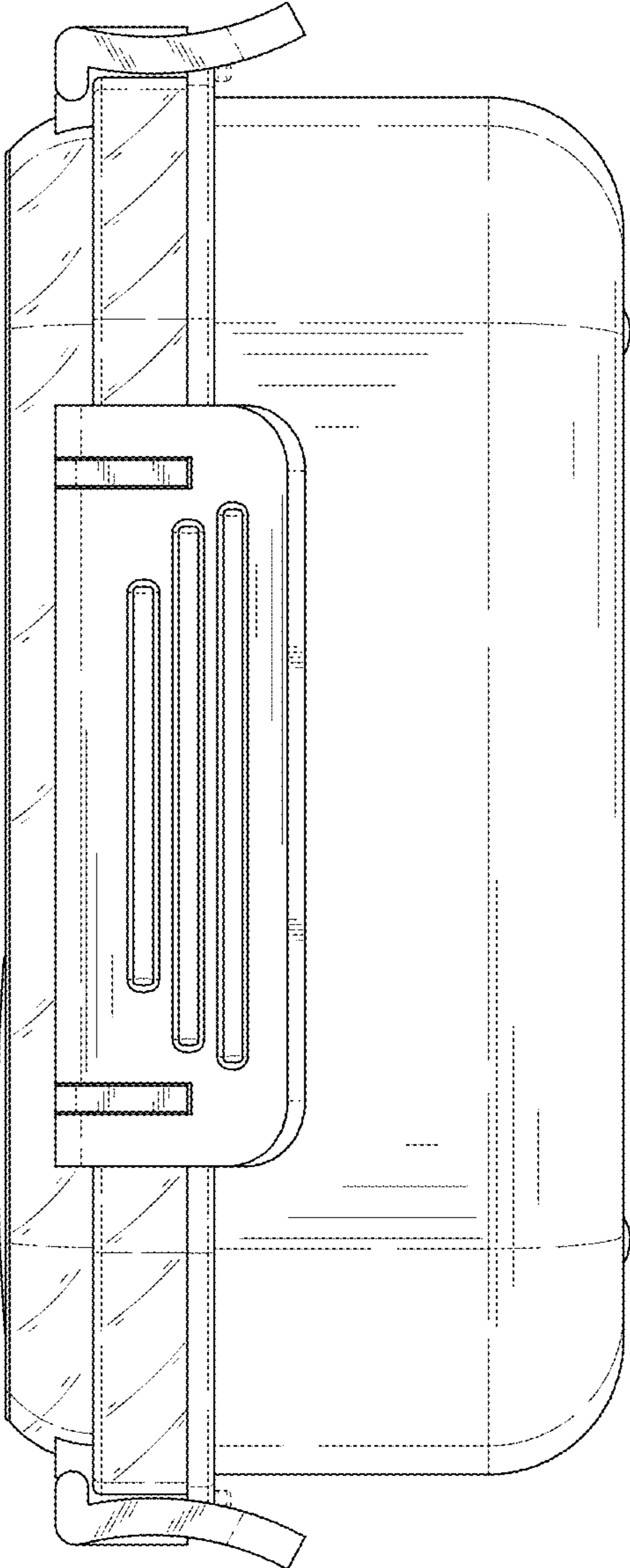


FIG. 6

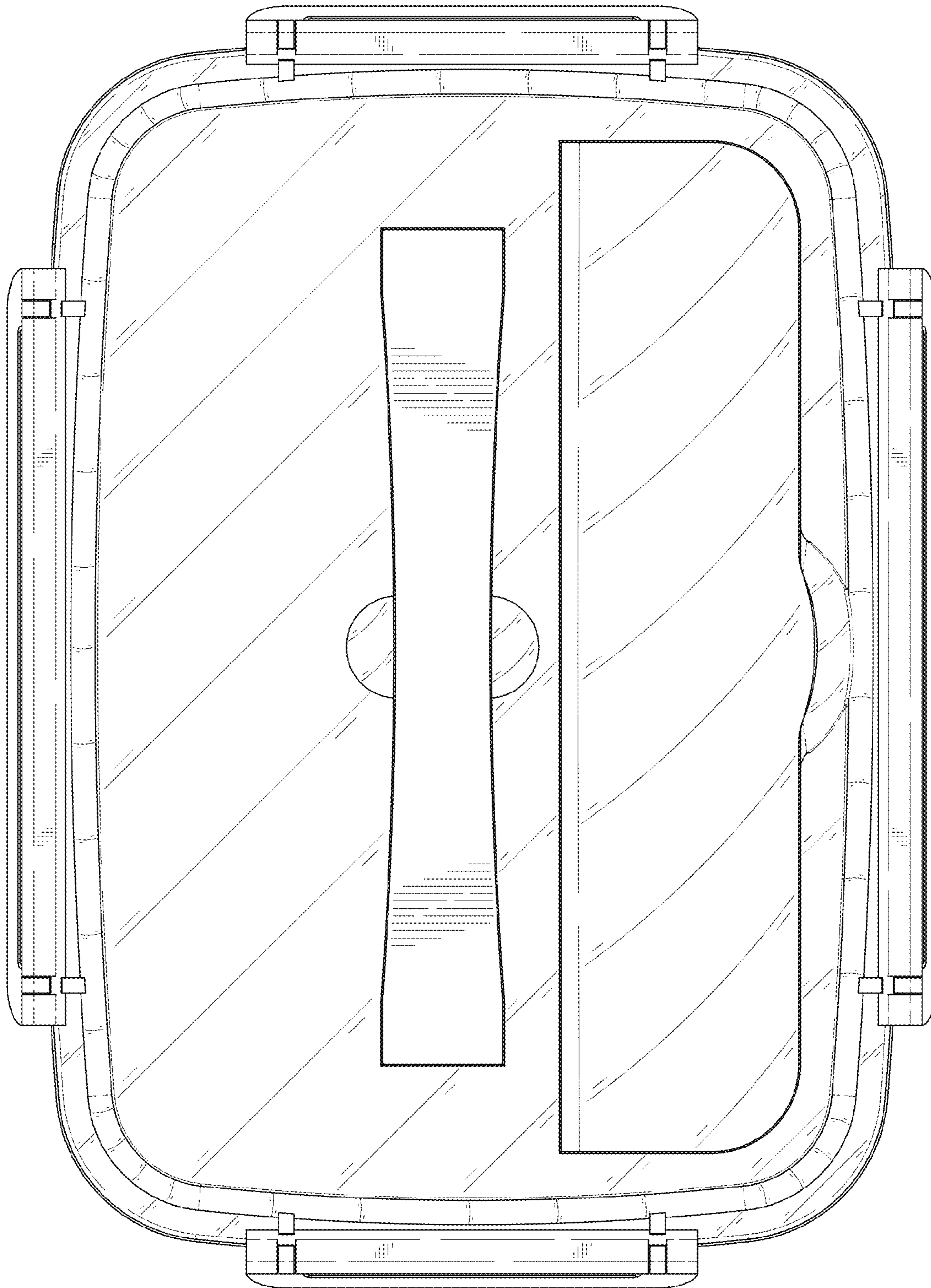


FIG. 7

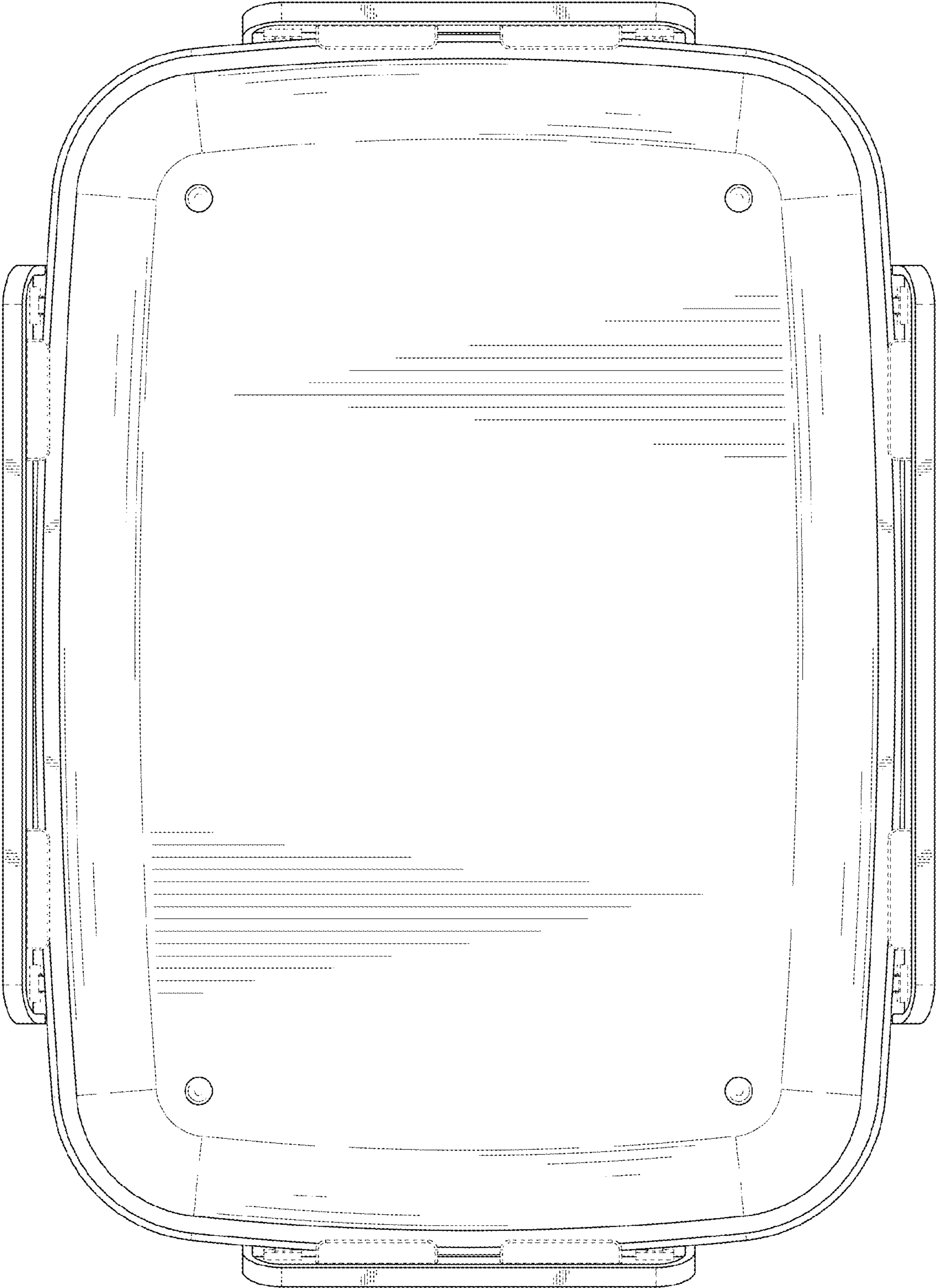


FIG. 8

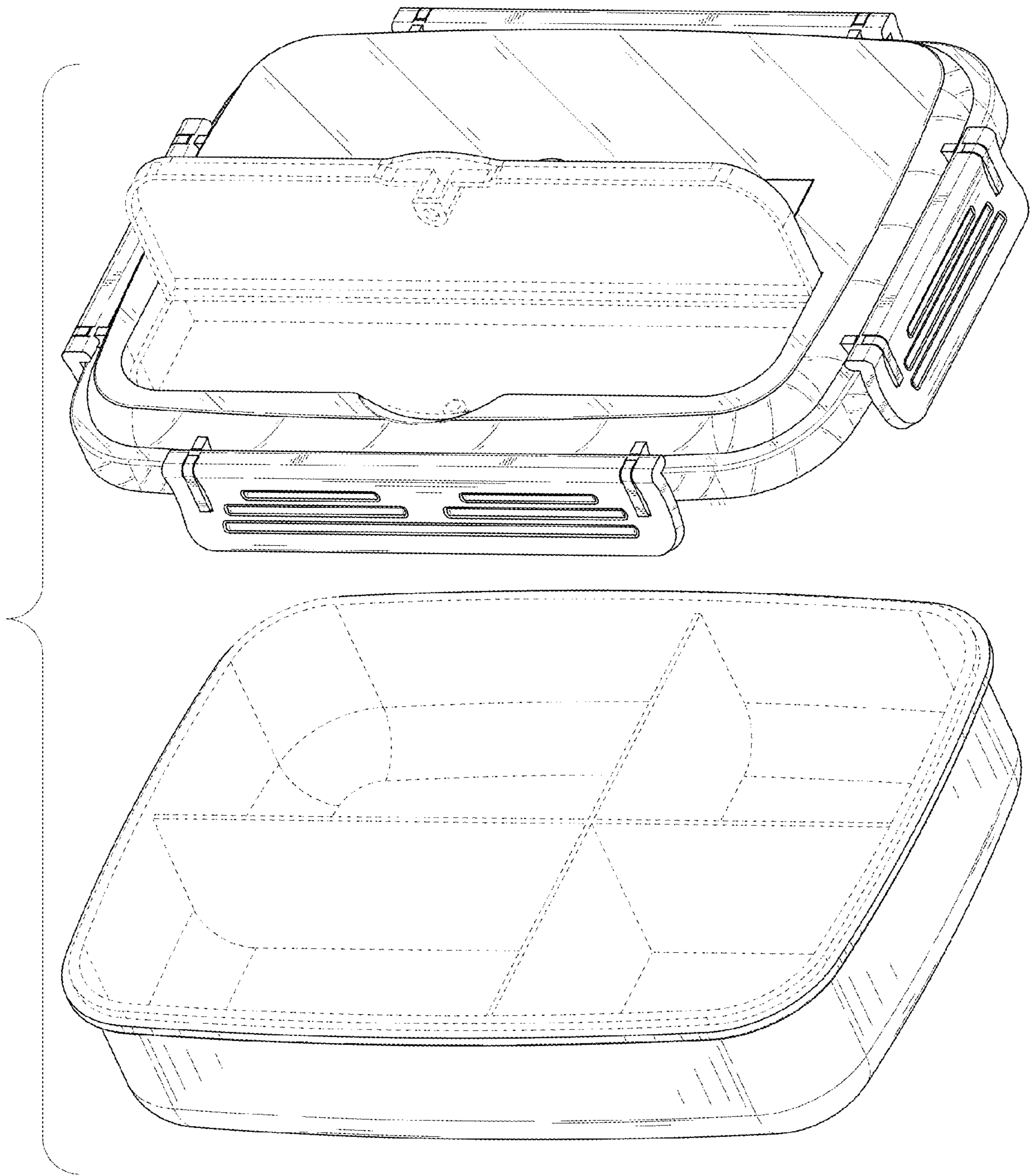


FIG. 9