



US00D971688S

(12) **United States Design Patent** (10) **Patent No.:** **US D971,688 S**
Lin (45) **Date of Patent:** **** *Dec. 6, 2022**

(54) **LUNCH BOX**

(71) Applicant: **Zhushi Lin**, Guangdong Province (CN)

(72) Inventor: **Zhushi Lin**, Guangdong Province (CN)

(*) Notice: This patent is subject to a terminal disclaimer.

(**) Term: **15 Years**

(21) Appl. No.: **29/787,804**

(22) Filed: **Jun. 8, 2021**

(51) **LOC (13) Cl.** **09-07**

(52) **U.S. Cl.**
USPC **D7/629**

(58) **Field of Classification Search**

USPC D7/500, 511, 538, 542, 550.1, 553.2,
D7/553.4-553.6, 554.3-554.4, 601-602,
D7/605, 607, 609, 629, 708; D3/11, 201,
D3/212, 273, 302, 304, 901, 903-905;
D9/768, 770, 782

CPC A45C 11/20; B65D 81/18; B65D 81/00
See application file for complete search history.

(56) **References Cited**

U.S. PATENT DOCUMENTS

D220,448 S *	4/1971	Swett	D7/629
D224,553 S *	8/1972	Swett et al.	D7/629
D224,554 S *	8/1972	Swett et al.	D7/629
D229,916 S *	1/1974	Schneider	D7/629
3,863,833 A *	2/1975	Swett	A47J 47/02 229/5.5
D246,289 S *	11/1977	Boucher	D7/602
D246,560 S *	12/1977	Beauchamp	D7/629
D279,952 S *	8/1985	Daenen	D9/425
D280,964 S *	10/1985	Wolff	D7/629
D284,254 S *	6/1986	Carlson	D7/629
D325,123 S *	4/1992	Tiramani	D3/901
D366,397 S *	1/1996	Zimmerman	D7/629
D386,042 S *	11/1997	Miller	D7/602
D403,924 S *	1/1999	Carlson	D7/602
D439,159 S *	3/2001	Chen	D9/425

(Continued)

FOREIGN PATENT DOCUMENTS

CN 304950083 * 12/2018
CN 306234770 * 12/2020

(Continued)

OTHER PUBLICATIONS

Fresh & Save Vacuum Sealer Lunch Box, Zwilling, amazon.com, published by Zwilling, first available on Jul. 23, 2020 © 1996-2022 Amazon.com, Inc., online, site visited Mar. 10, 2022. Available at URL: https://www.amazon.com/ZWILLING-Fresh-Plastic-Vacuum-Lunch/dp/B08DJ6HQB4/ref=sr_1_8?crid=2JUYSBJ8Y0UMX&keywords=vacuum%2Blunch%2Bbox&qid=1647462985&prefix=vacuum%2Blunch%2Bbox%2B%2Caps%2C141&sr=8-8&th=1 (Year: 2020).*

(Continued)

Primary Examiner — Holly E Thurman
Assistant Examiner — Altaira J Swangin

(57) **CLAIM**

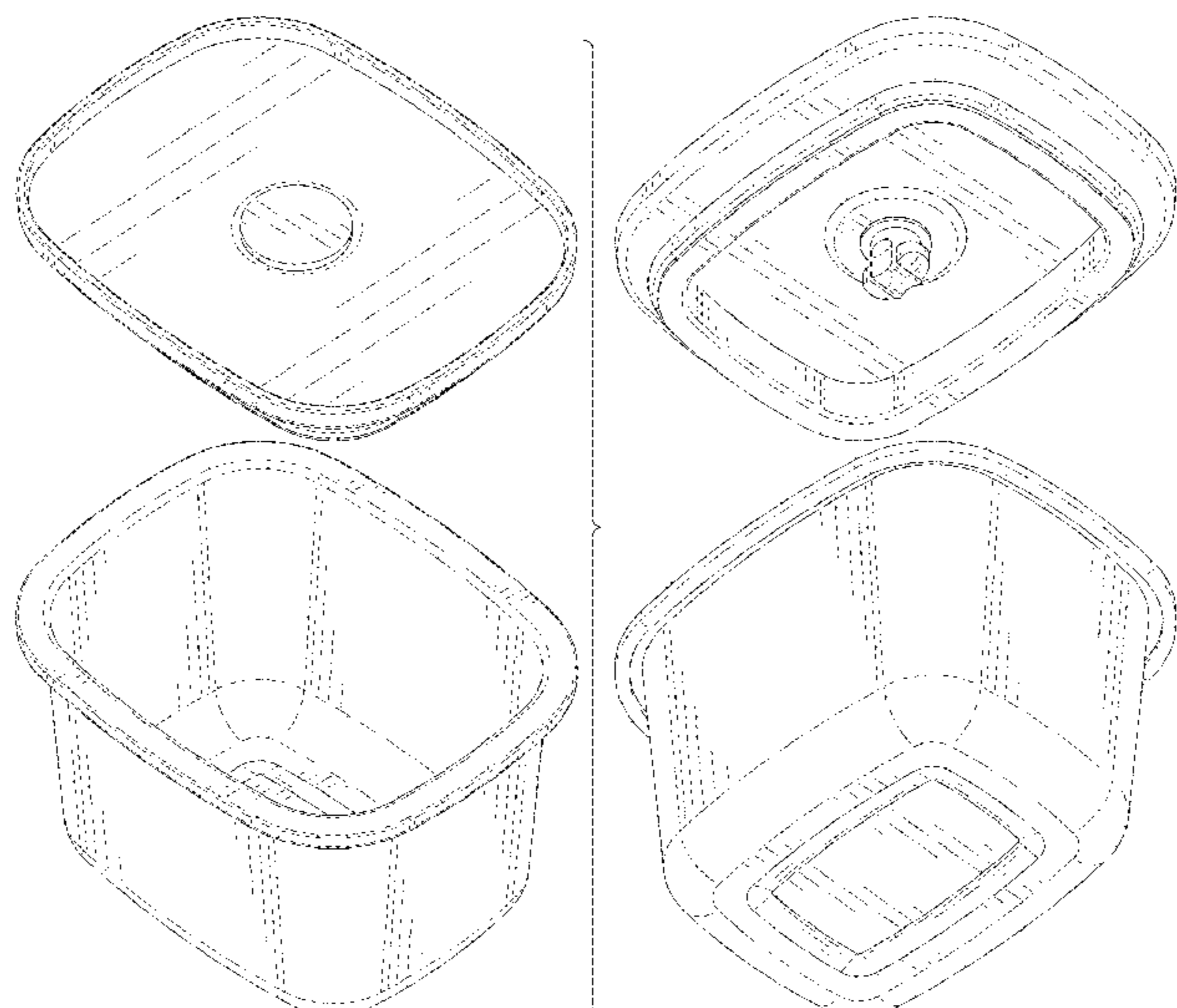
The ornamental design for a lunch box, as shown and described.

DESCRIPTION

FIG. 1 is a front and top perspective view of a lunch box, showing my new design;
FIG. 2 is a rear and bottom perspective view thereof;
FIG. 3 is a front elevation view thereof;
FIG. 4 is a rear elevation view thereof;
FIG. 5 is a left side elevation view thereof;
FIG. 6 is a right side elevation view thereof;
FIG. 7 is a top plan view thereof;
FIG. 8 is a bottom plan view thereof; and,
FIG. 9 is another perspective view thereof, shown in an alternative position.

The broken lines in the figures illustrate portions of the lunch box that form, no part of the claimed design.

1 Claim, 9 Drawing Sheets



(56)

References Cited

U.S. PATENT DOCUMENTS

D472,773 S * 4/2003 Samartgis D9/425
 D496,272 S * 9/2004 Jackson D9/425
 D502,394 S * 3/2005 Jackson D9/425
 D513,122 S * 12/2005 Greene D3/273
 D527,227 S * 8/2006 Bertulis D7/629
 D530,516 S * 10/2006 Snell D3/304
 D530,918 S * 10/2006 Snell D3/304
 D530,919 S * 10/2006 Snell D3/304
 D608,592 S * 1/2010 Curtin D7/392.1
 D611,807 S * 3/2010 Miga, Jr. D9/424
 D631,707 S * 2/2011 Samartgis D7/630
 D633,339 S * 3/2011 Hart D7/542
 D634,115 S * 3/2011 Long, Jr. D3/201
 D656,369 S * 3/2012 Everson B65D 43/162
 D666,875 S * 9/2012 Rusnak D7/602
 D666,876 S * 9/2012 Rusnak D7/602
 D700,480 S * 3/2014 Yessin D7/602
 D717,122 S * 11/2014 Carlson D7/602
 D795,651 S * 8/2017 Cimmerer D7/538
 D814,883 S * 4/2018 Day D7/629
 D824,249 S 7/2018 Mei
 D841,462 S * 2/2019 Kui D9/425
 D876,176 S * 2/2020 Pentelovitch D7/629
 D876,177 S * 2/2020 Pentelovitch D7/629

D876,178 S * 2/2020 Pentelovitch D7/629
 D877,574 S * 3/2020 Pentelovitch D7/629
 D878,165 S * 3/2020 Pentelovitch D7/629
 D919,293 S * 5/2021 Fang D3/294
 D931,064 S * 9/2021 Xu D7/629
 D932,255 S * 10/2021 Dinkheller D7/629
 2019/0202607 A1* 7/2019 Lee B65D 43/0208

FOREIGN PATENT DOCUMENTS

CN 306409452 * 3/2021
 EM 008543102-0001 * 5/2021
 EM 008543102-0002 * 5/2021

OTHER PUBLICATIONS

Vac 'n Save Ruby Rectangular Shaped Vacuum-Sealing Food Storage Containers, Zevro, amazon.com, published by ZevrO, first available on Jun. 4, 2008 © 1996-2022 Amazon.com, Inc., online, site visited Mar. 16, 2022. Available at URL: https://www.amazon.com/KCH-06093-Rectangular-Shaped-Vacuum-Sealing-Food-Storage-Containers/dp/B001A5W7L4/ref=sr_1_1?crid=3PTKL39E0CY1X&keywords=vacuum%2Bseal%2Bfood%2Bstorage%2Bcontainers&qid=1647463340&srefix=vacuum%2Bseal%2Bfood%2Bstorage%2Bcontainers%2Caps%2C78&sr=8-1&th=1.*

* cited by examiner

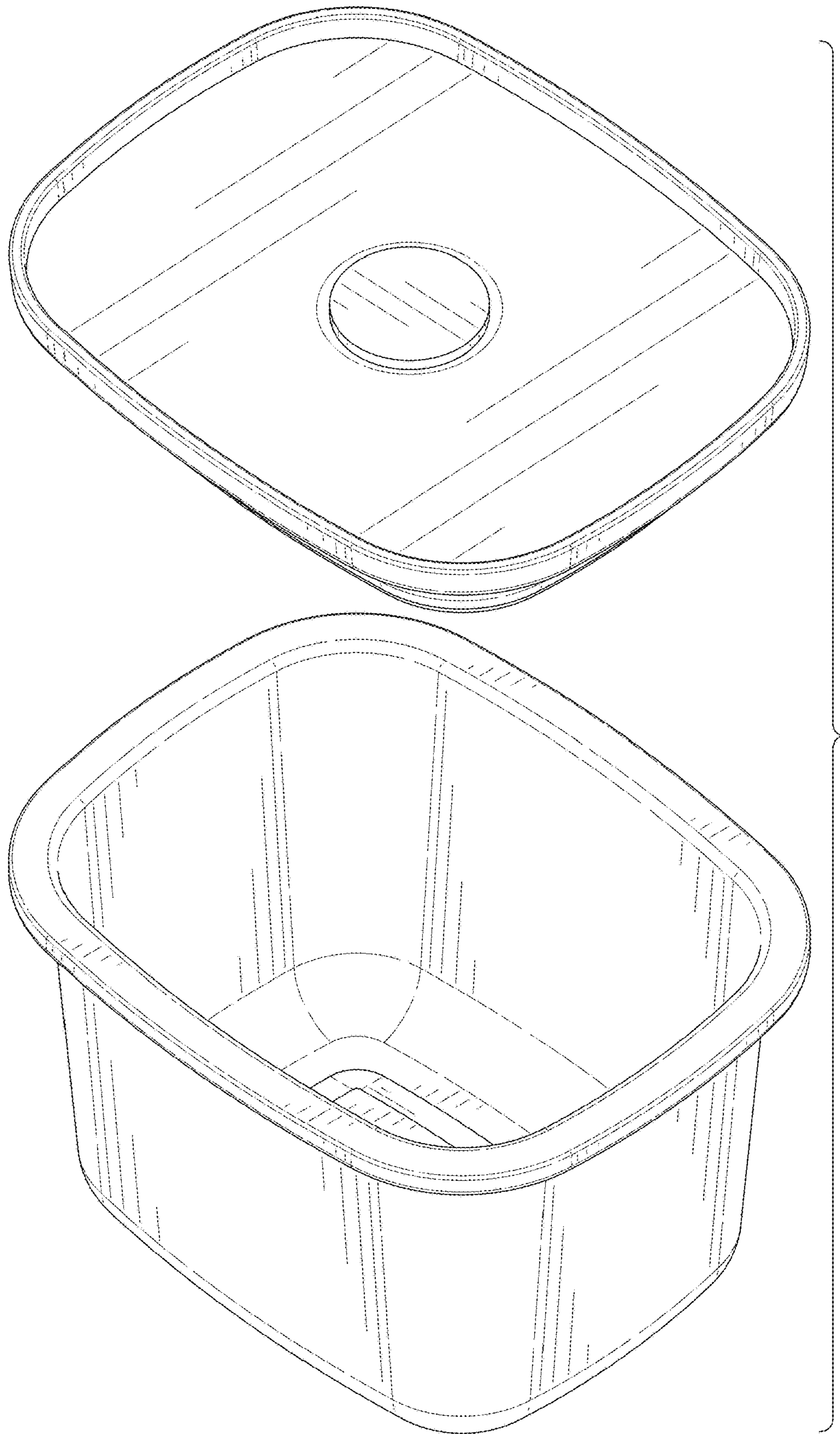


FIG. 1

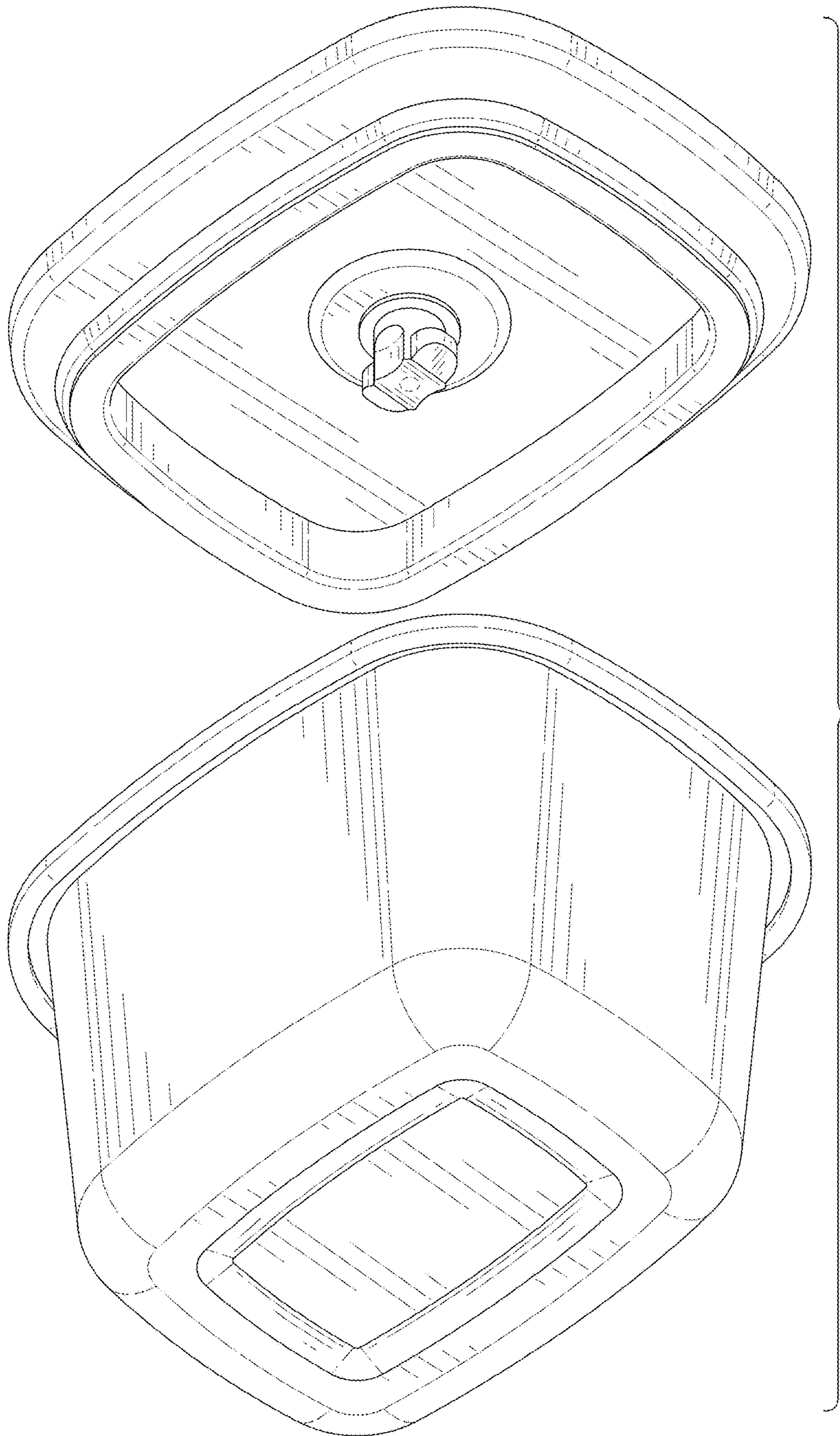


FIG. 2

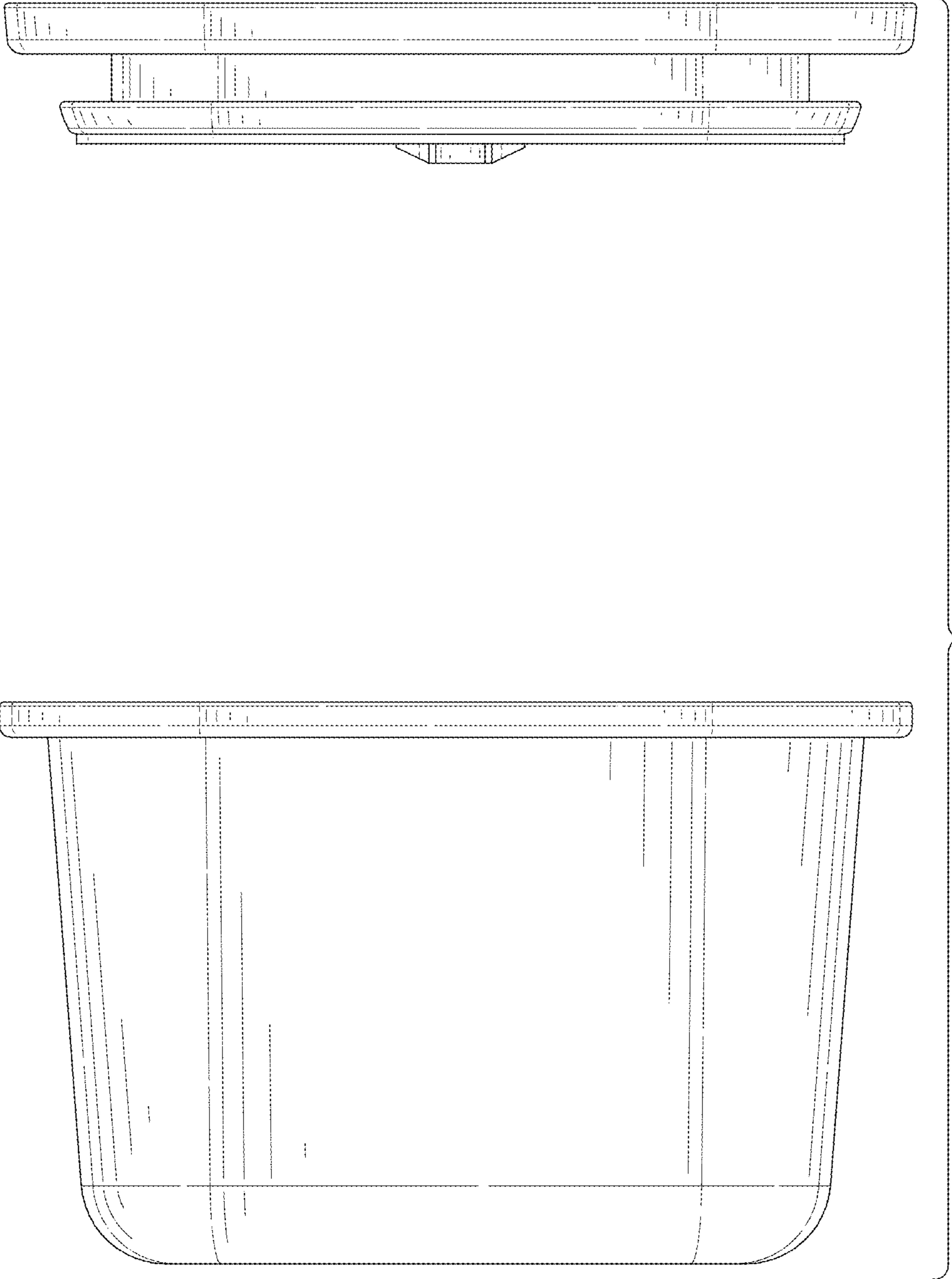


FIG. 3

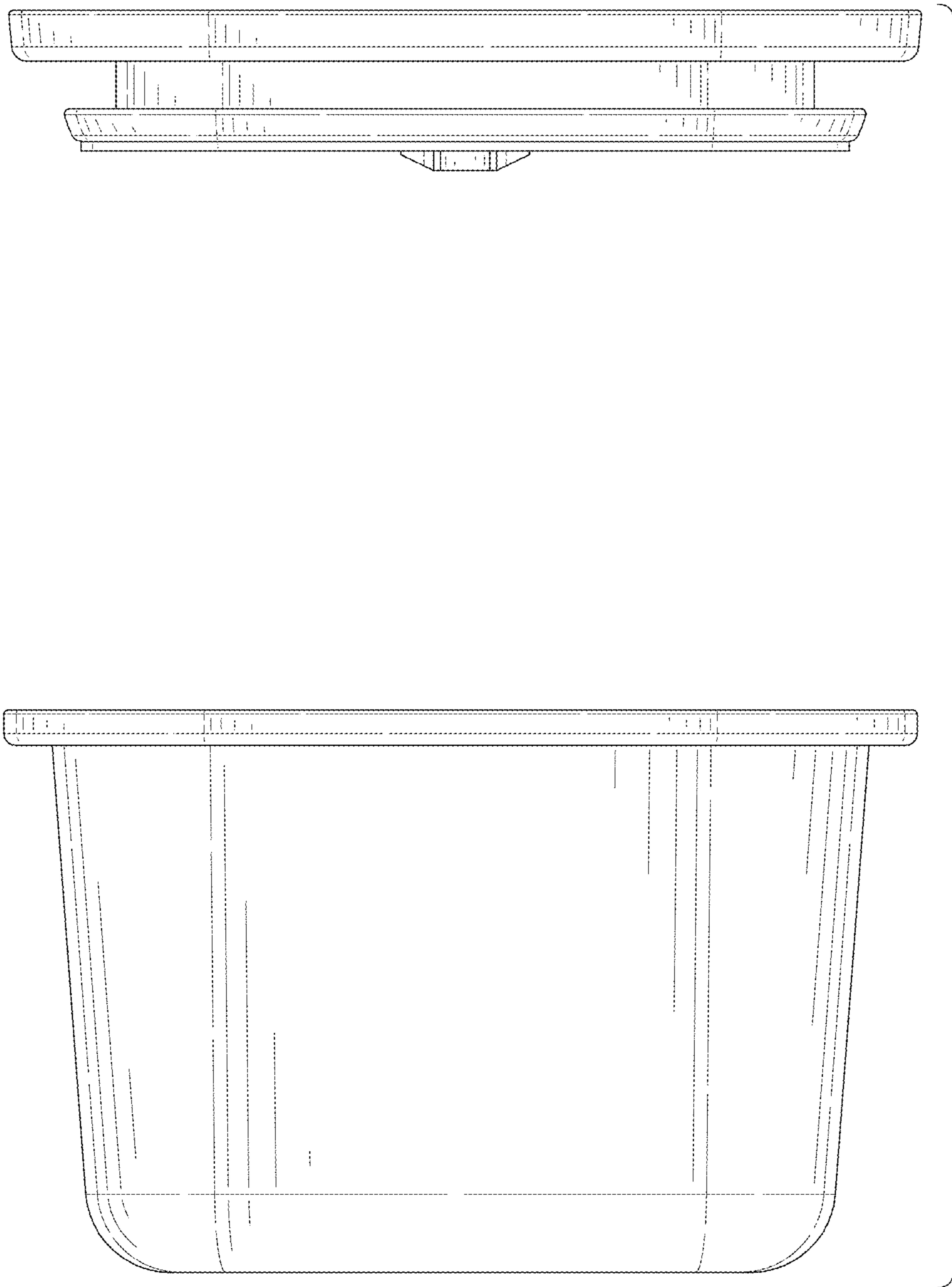


FIG. 4

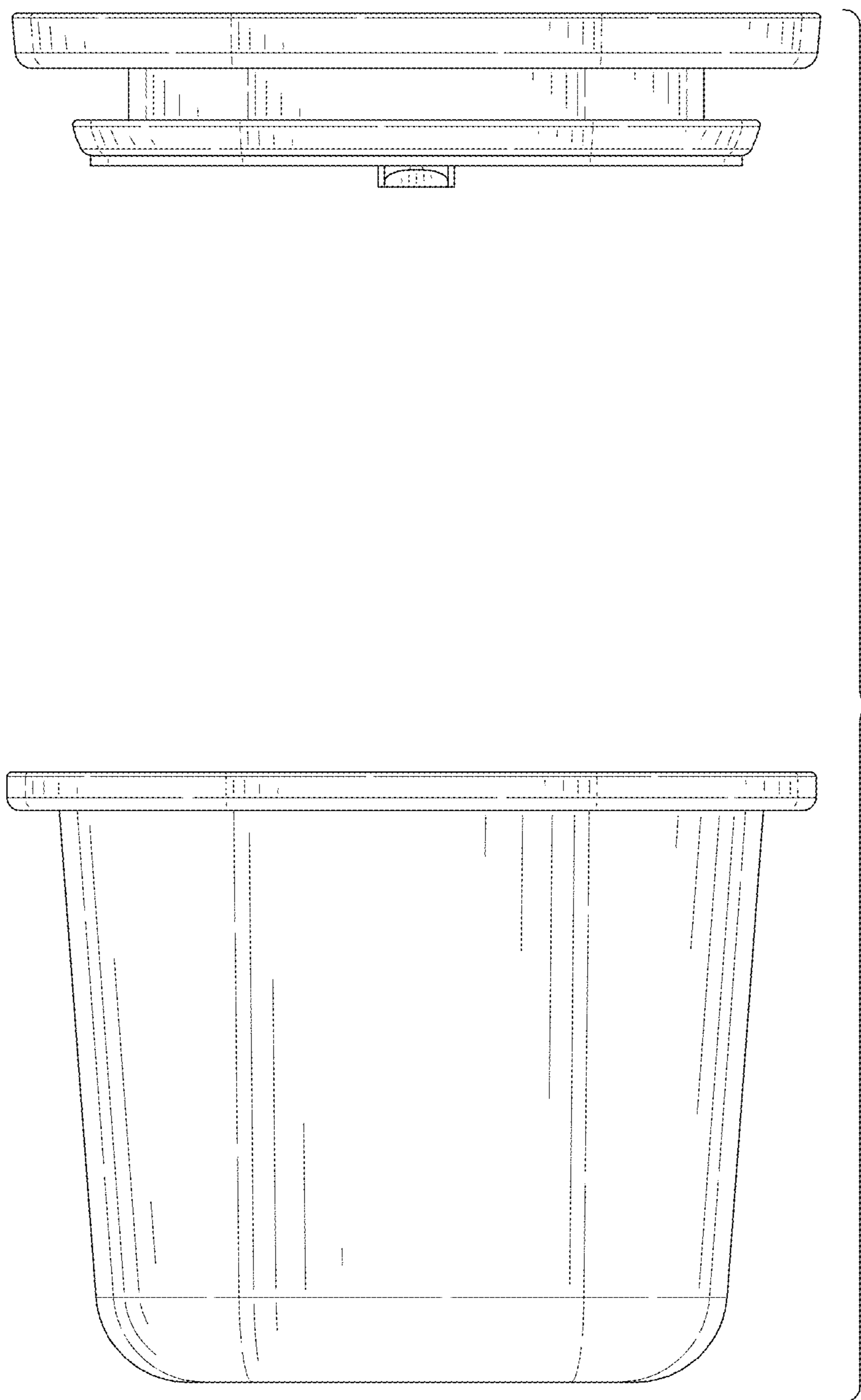


FIG. 5

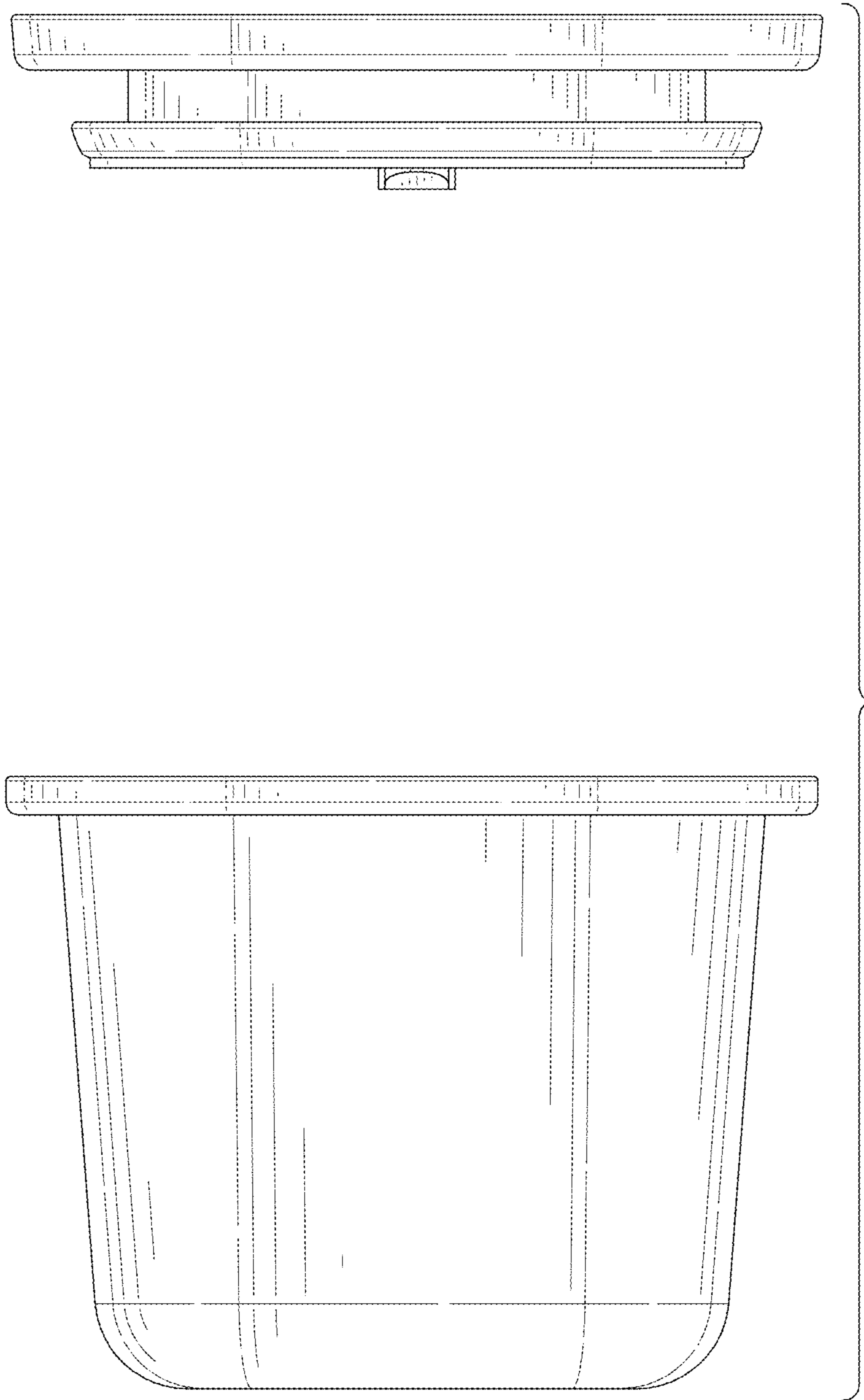


FIG. 6

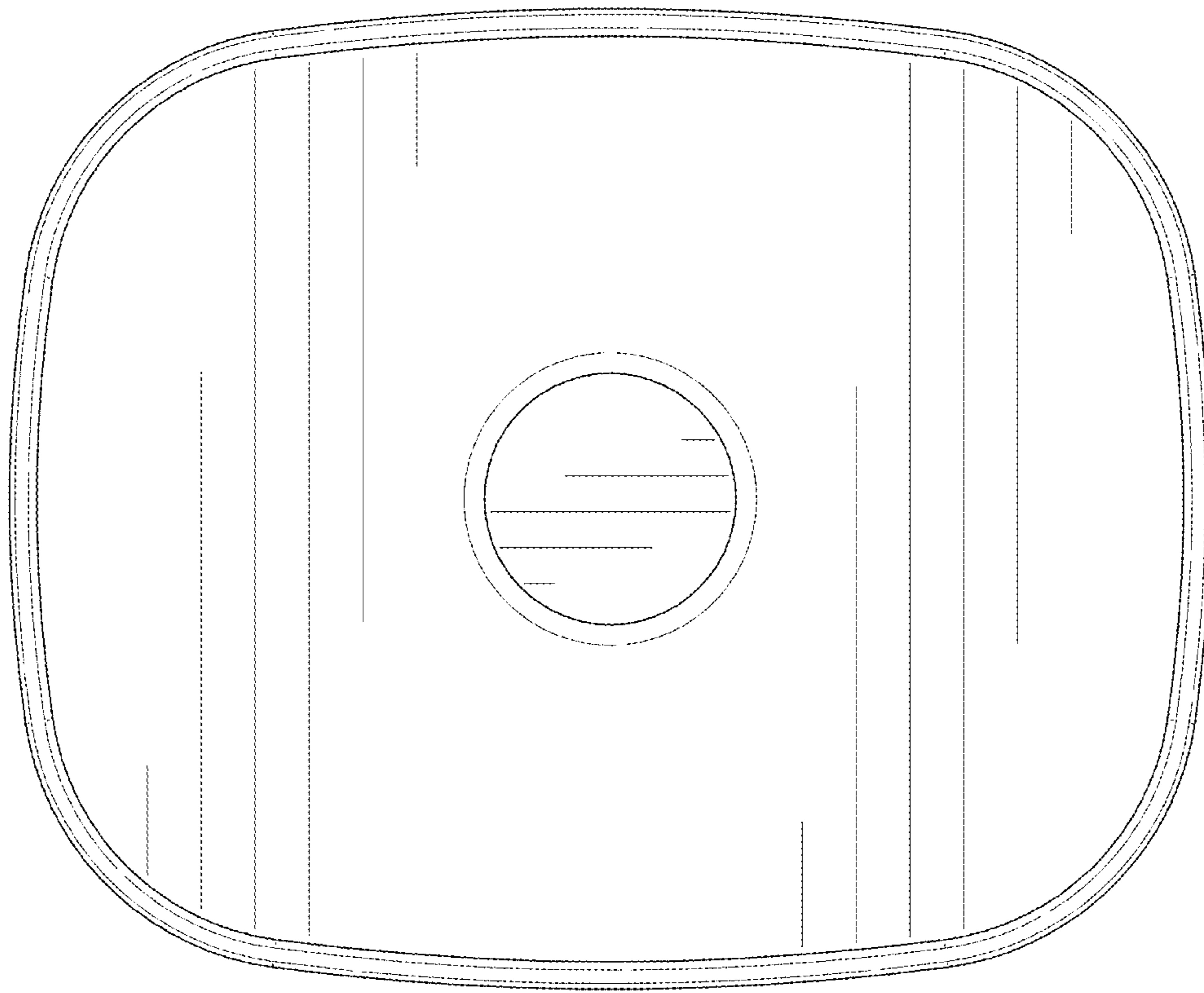


FIG. 7

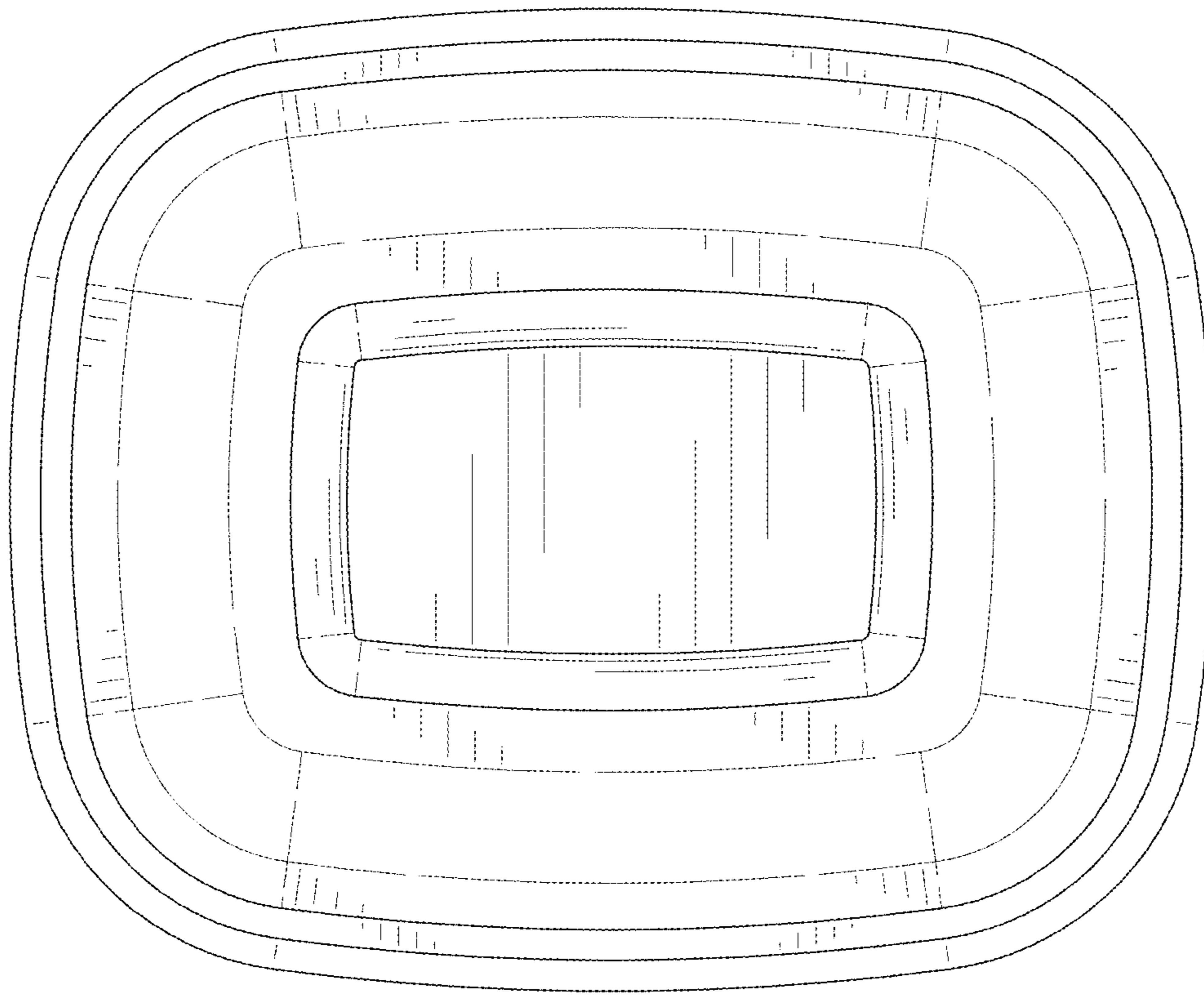


FIG. 8

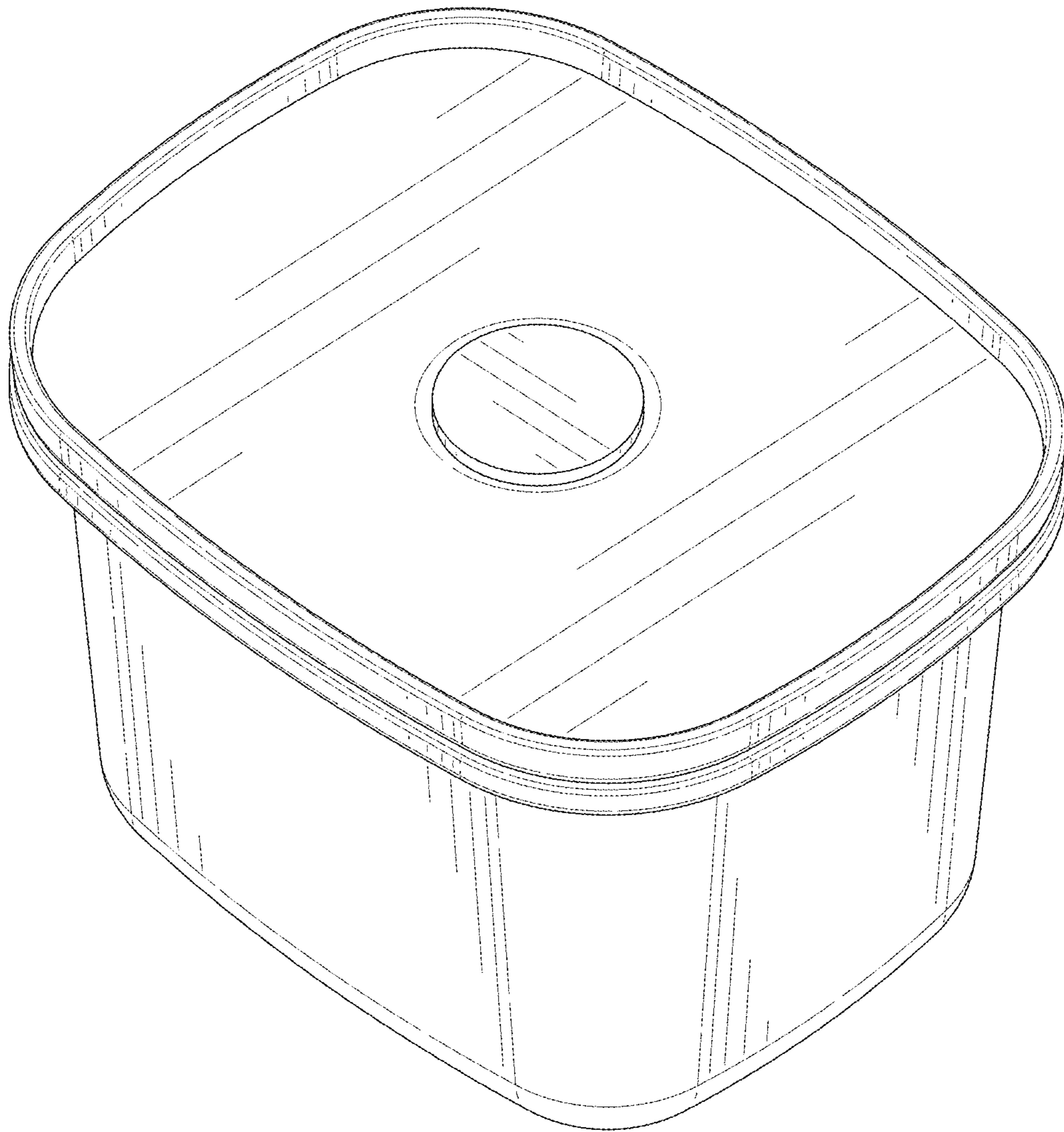


FIG. 9