



US00D971684S

(12) **United States Design Patent** (10) **Patent No.:** **US D971,684 S**
Peng (45) **Date of Patent:** **** Dec. 6, 2022**

(54) **ICE BOX**
(71) Applicant: **Taizhou Oubao Plastic Products Co., Ltd.**, Taizhou (CN)
(72) Inventor: **Shunguo Peng**, Taizhou (CN)
(73) Assignee: **Taizhou Oubao Plastic Products Co., Ltd.**, Taizhou (CN)
(**) Term: **15 Years**

D329,747 S * 9/1992 Embree D3/905
D363,648 S * 10/1995 O'Brien D7/605
D371,056 S * 6/1996 Sullivan D7/709
D515,360 S * 2/2006 Moisdon D7/605
D566,479 S 4/2008 Kabalin
D587,072 S * 2/2009 Friedman D7/605
D634,982 S * 3/2011 Melchert D7/605
D667,697 S 9/2012 Shah
D697,095 S * 1/2014 Chan D15/90
D709,336 S * 7/2014 Liebenthal D7/605
(Continued)

(21) Appl. No.: **29/835,895**
(22) Filed: **Apr. 22, 2022**
(51) **LOC (13) Cl.** **07-01**
(52) **U.S. Cl.**
USPC **D7/605**; D15/90
(58) **Field of Classification Search**
USPC D15/89, 90; D3/272-274, 283, 289, 301,
D3/201, 203.1-203.8; D7/603-608, 709,
D7/710
CPC F22C 1/22; F22C 1/24; F22C 1/243; F22C
1/246; F25C 1/04; F25D 3/08; F25D
3/02; F25D 3/04; F25D 3/06; F25D 3/14;
F25D 3/107; F25D 2331/804; F25D
2331/801; B65D 81/38; B65D 81/3813;
B65D 81/3816; B65D 81/3818; B65D
81/382; B65D 81/3823; B65D 81/3825;
B65D 81/3827; B65D 81/383; B65D
81/3832; B65D 81/3834; B65D 81/3848;
B65D 81/3851; B65D 81/3853; B65D
81/3855; B65D 81/3858; B65D 81/386;
B65D 81/3862; B65D 81/3874; A45C
11/20; A45C 3/00; A45C 2003/008
See application file for complete search history.

(56) **References Cited**
U.S. PATENT DOCUMENTS

D284,254 S * 6/1986 Carlson D7/629
D329,172 S * 9/1992 Greene, Jr. D7/605

OTHER PUBLICATIONS

Amazon.com, Dayhap Ice Cube Tray with Lid, ASIN: B09VKFP6SH,
13 pages, date first available Mar. 15, 2022 (Year: 2022).*
(Continued)

Primary Examiner — Terry A Wallace
(74) *Attorney, Agent, or Firm* — Jeenam Park

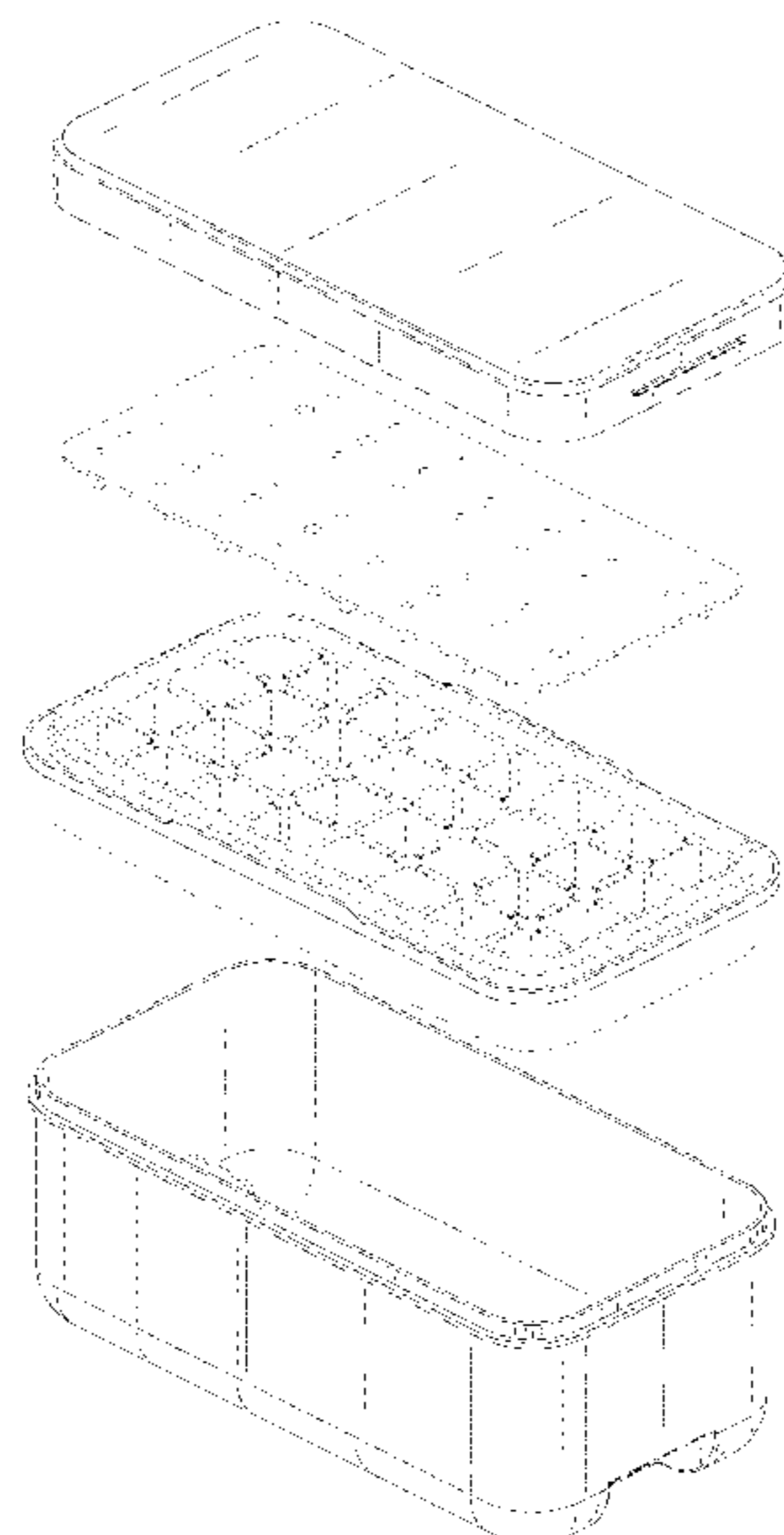
(57) **CLAIM**

The ornamental design for an ice box, as shown and described.

DESCRIPTION

FIG. 1 is a perspective view of an ice box, showing my new design;
FIG. 2 is a perspective view showing the design in an open configuration thereof;
FIG. 3 is another perspective view thereof;
FIG. 4 is a front view thereof;
FIG. 5 is a rear view thereof;
FIG. 6 is a left side view thereof;
FIG. 7 is a right side view thereof;
FIG. 8 is a top plan view thereof; and,
FIG. 9 is a bottom plan view thereof.
The broken line showing of the ice box is for the purpose of illustrating article and forms no part of the claimed design.

1 Claim, 9 Drawing Sheets



(56)

References Cited

U.S. PATENT DOCUMENTS

2009/0152438 A1* 6/2009 Chu F25C 1/24
249/105

OTHER PUBLICATIONS

Amazon.com, burfocus Ice Cube Tray for Freezer with Lid, ASIN:
B09XPTWP8B, 11 pages, date first available Apr. 12, 2022 (Year:
2022).*

* cited by examiner

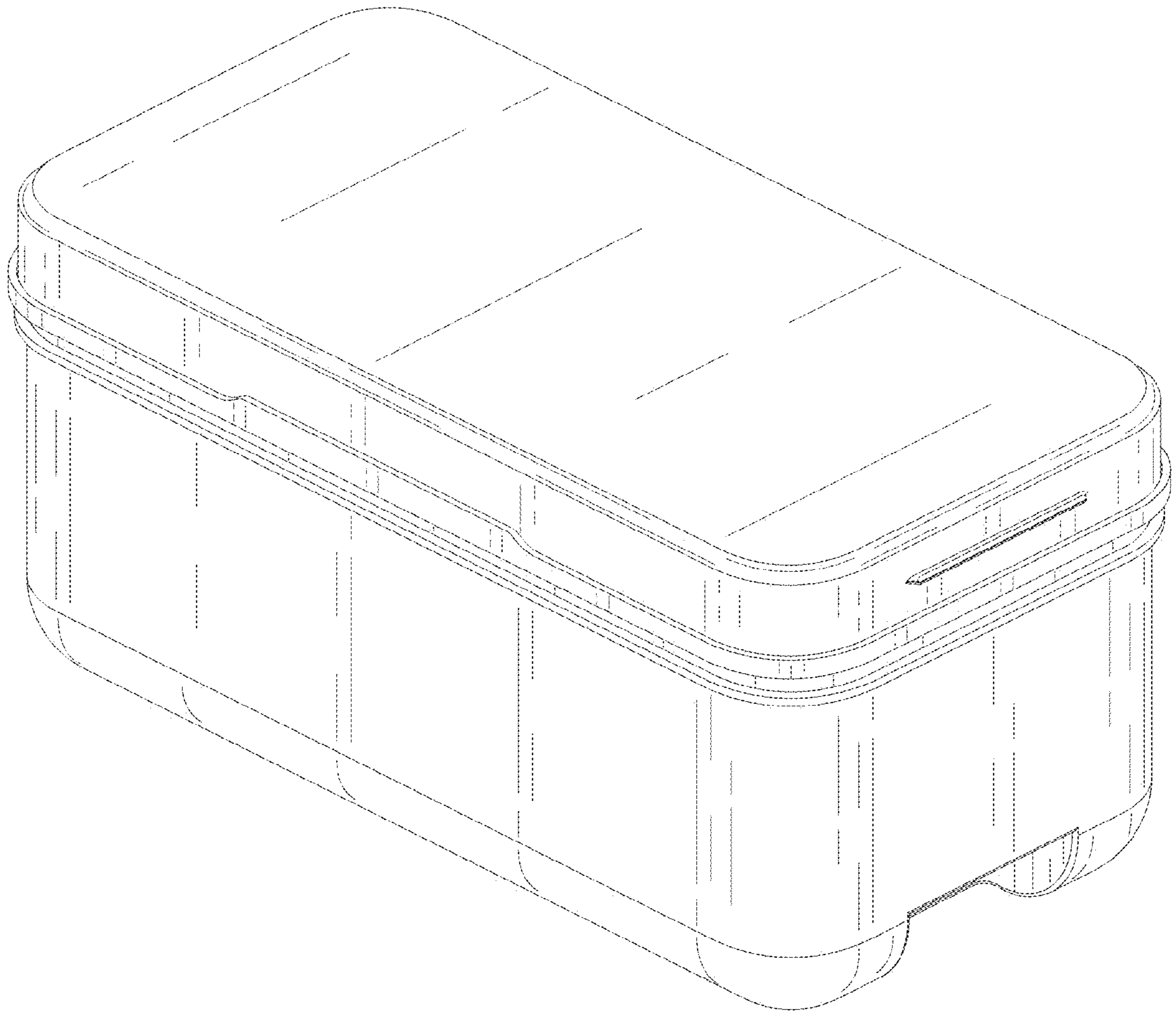


FIG. 1

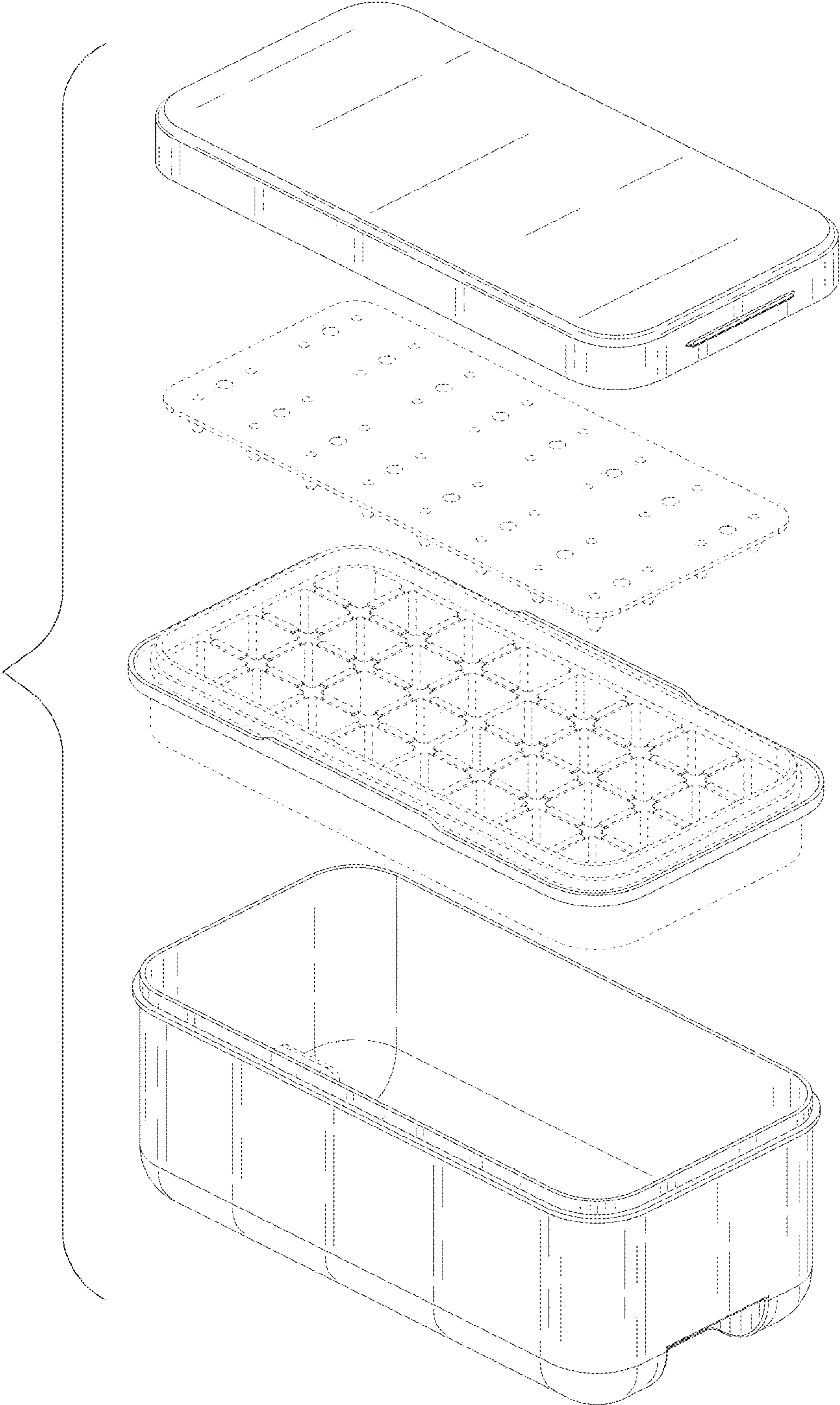


FIG. 2

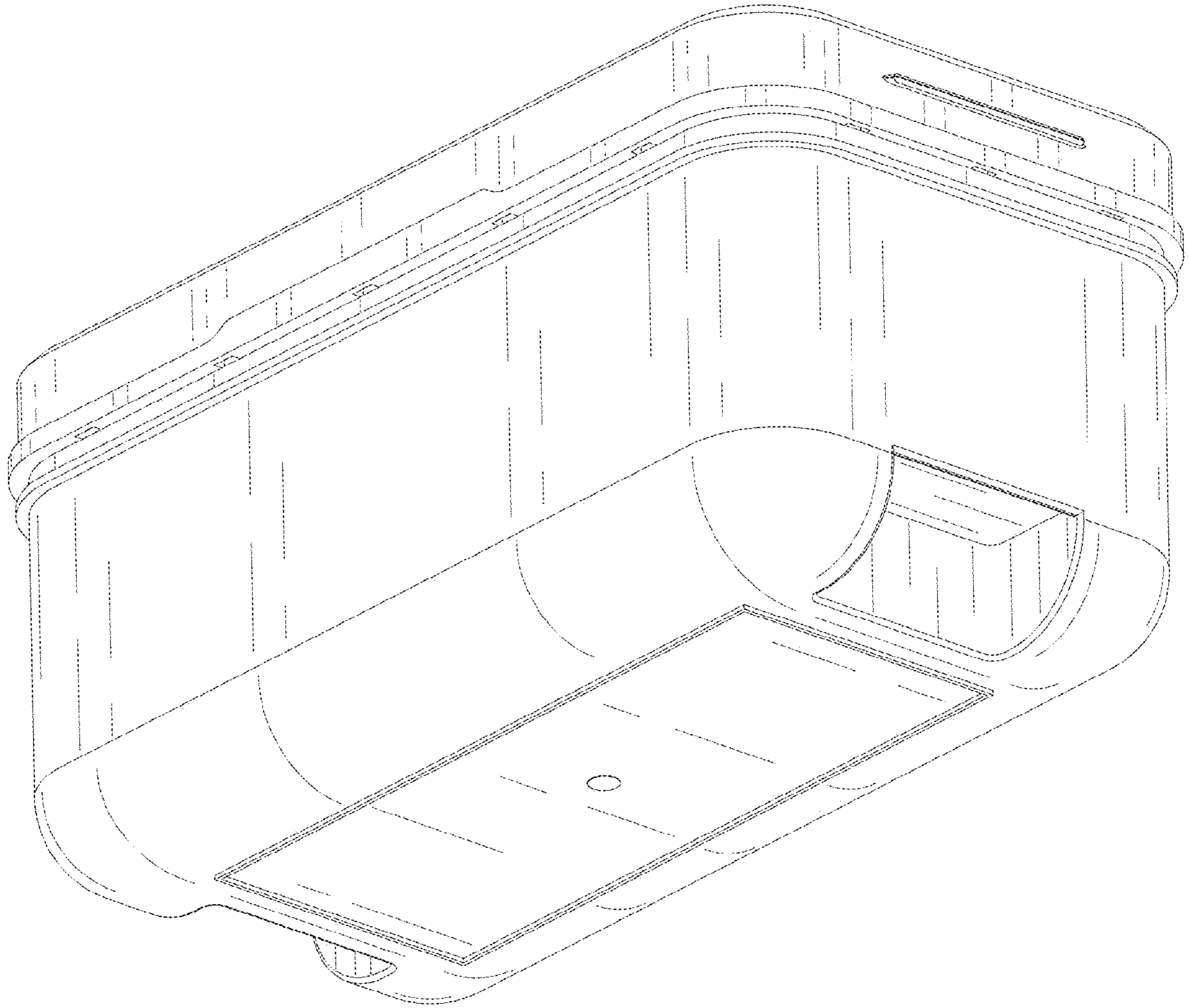


FIG. 3

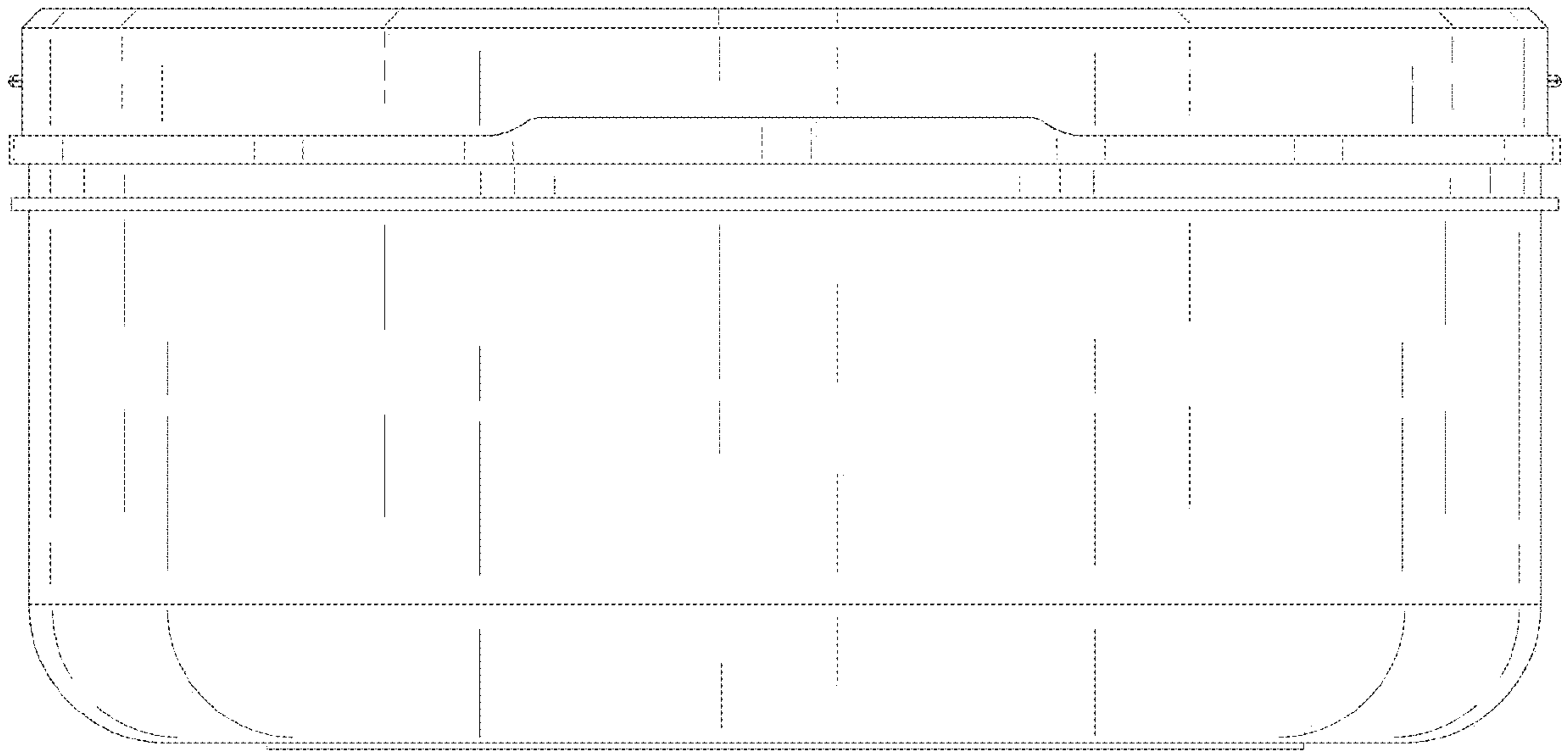


FIG. 4

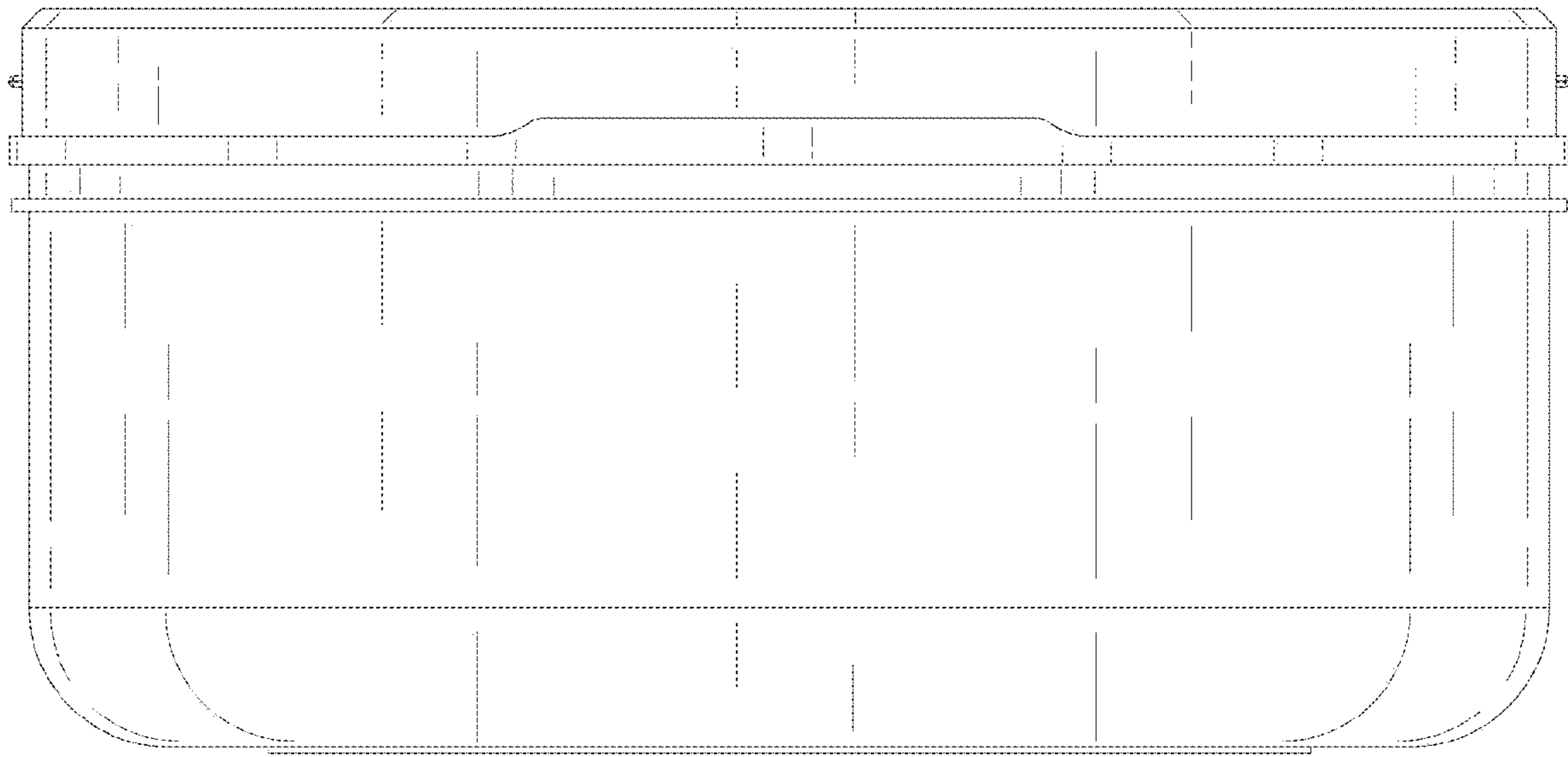


FIG. 5

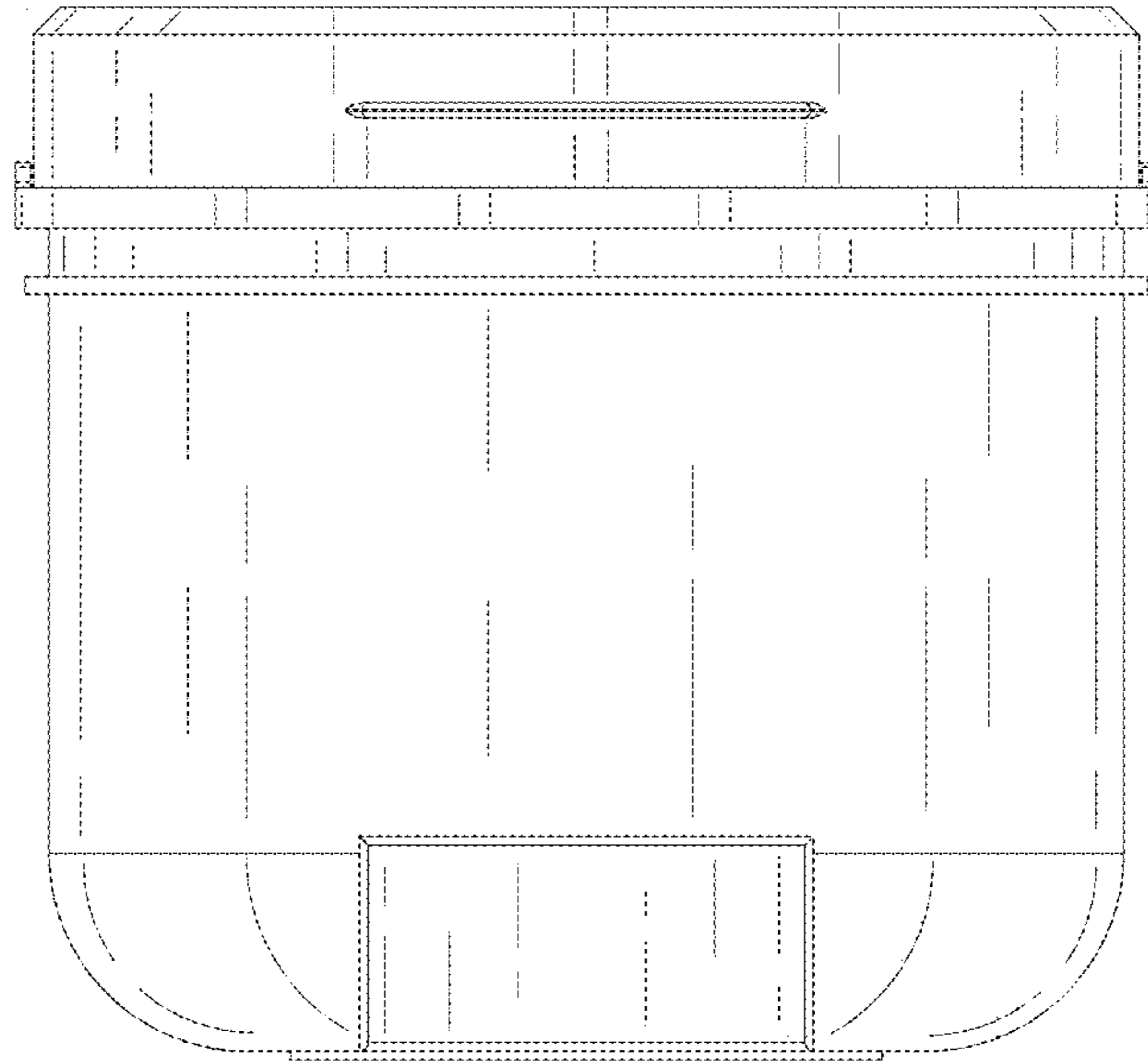


FIG. 6

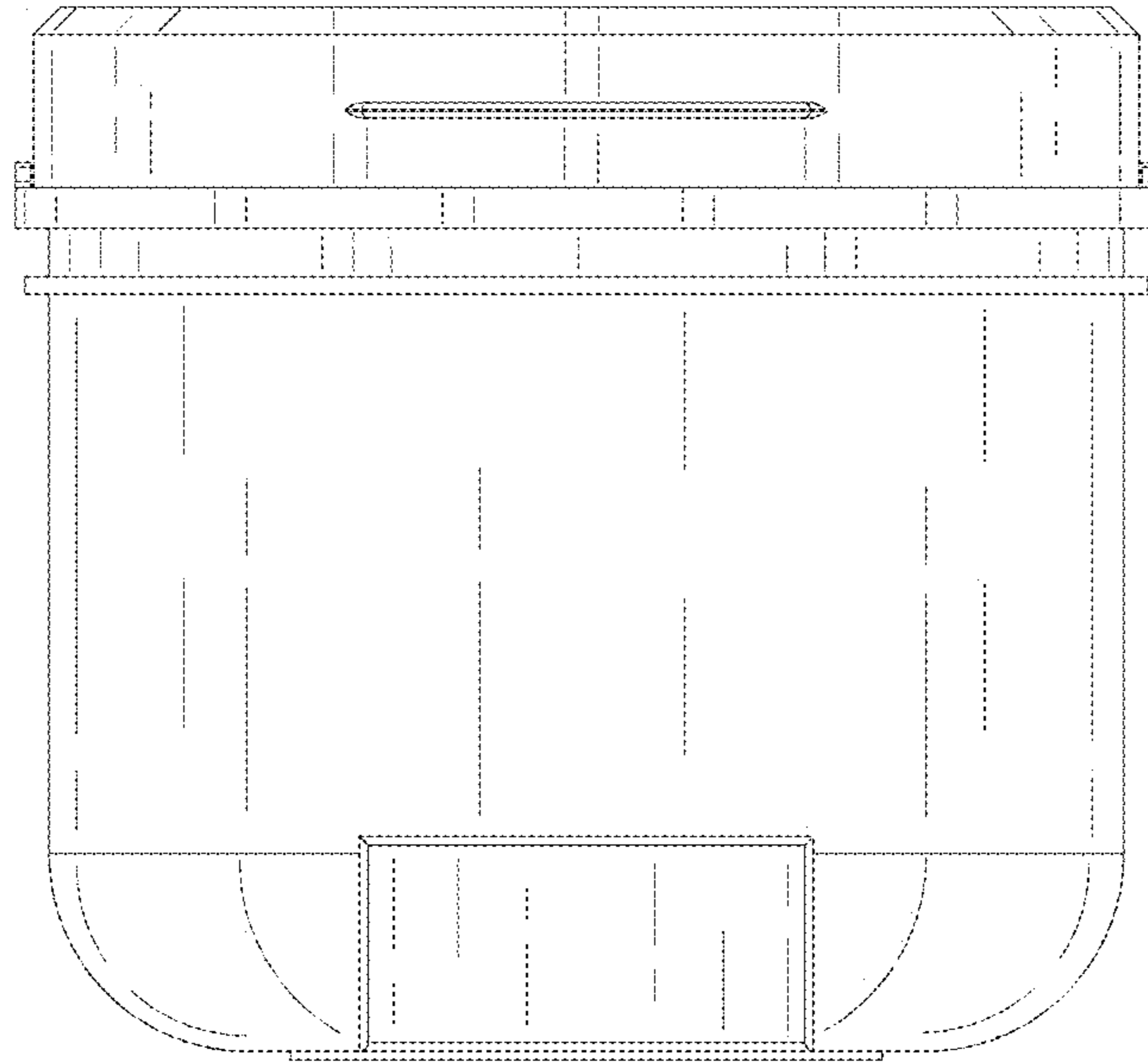


FIG. 7

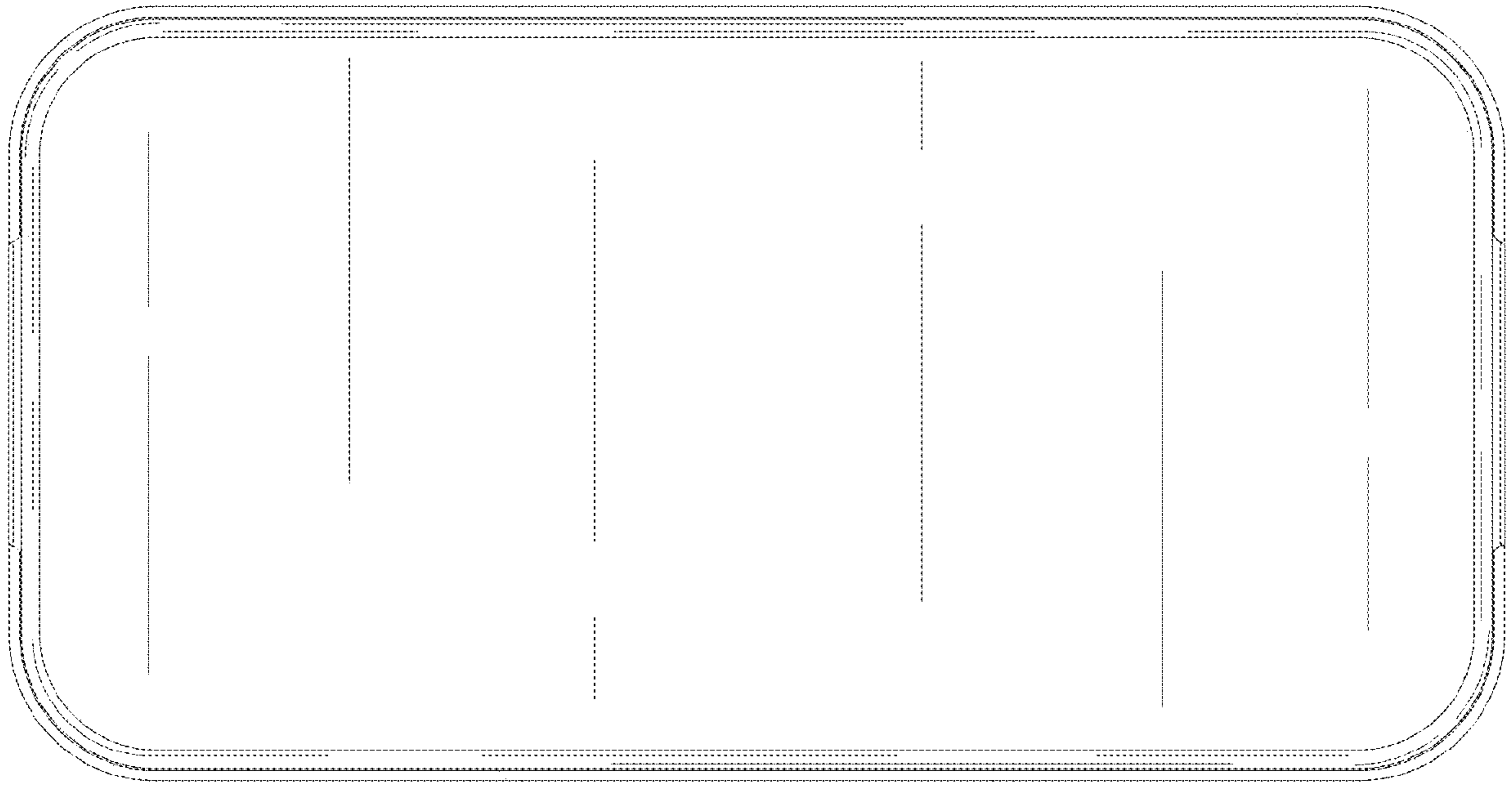


FIG. 8

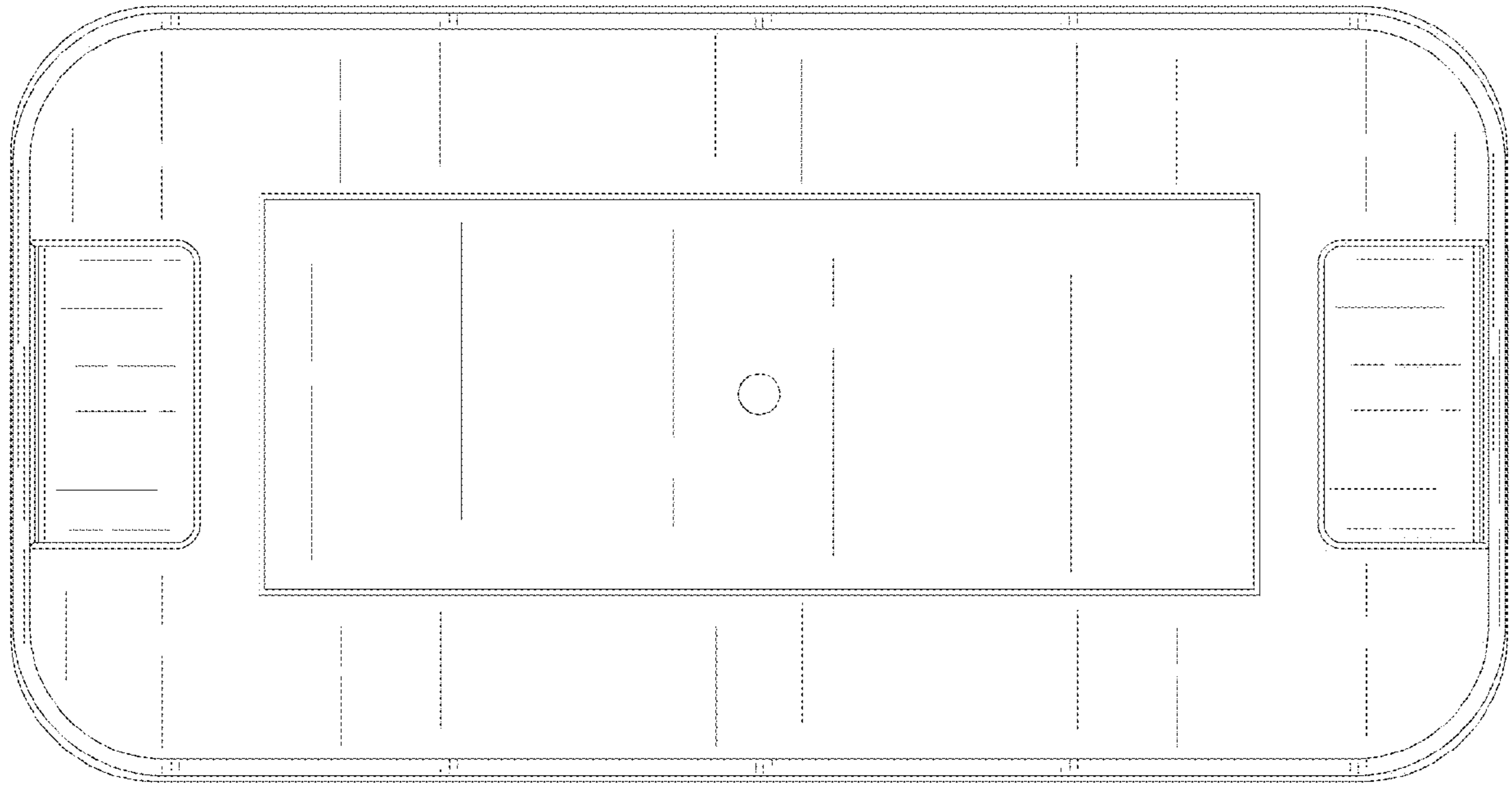


FIG. 9