



US00D971683S

(12) **United States Design Patent** (10) **Patent No.:** **US D971,683 S**
Sun (45) **Date of Patent:** **** Dec. 6, 2022**

(54) **FRUIT BASKET**

OTHER PUBLICATIONS

(71) Applicant: **Shenzhen Yuanmei Supply Chain Management Co., Ltd.**, Shenzhen (CN)

Auledio 2-Tier Countertop Fruit Vegetables Basket Bowl Storage With Banana Hanger, first available Aug. 5, 2020, website Amazon, [online], [site visited May 2, 2020], Available from internet URL: <https://www.amazon.com/Auledio-2-Tier-Countertop-Vegetables-Storage/dp/B08W459WJK> (Year: 2020).*

(72) Inventor: **Weijian Sun**, Guangzhou (CN)

Design No. 306508503, Nov. 13, 2020—China National Intellectual Property Administration (CNIPA) Publication Date—May 4, 2021 Owner—Shenzhen Yuanmei Supply Chain Management Co Ltd, Designer—Sun Weijian WIPO, available at <https://www3.wipo.int/designdb/en/index.jsp> (Year: 2021).*

(**) Term: **15 Years**

(21) Appl. No.: **29/757,918**

(22) Filed: **Nov. 10, 2020**

(51) **LOC (13) Cl.** **07-01**

* cited by examiner

(52) **U.S. Cl.**

USPC **D7/601**

Primary Examiner — Mary Ann Calabrese
Assistant Examiner — Natalya M Rapundalo

(58) **Field of Classification Search**

USPC D7/387, 504, 538, 540–543, 545–549,
D7/553.1–553.3, 554.3–555, 601–604,
D7/619.1–623, 628–631, 701–708.1, 709;
D3/202, 304, 306, 315, 316; D6/513,
D6/525, 566, 683.1

(57) **CLAIM**

CPC A47G 19/30; A47J 47/16; B65D 85/34
See application file for complete search history.

The ornamental design for a fruit basket, as shown and described.

DESCRIPTION

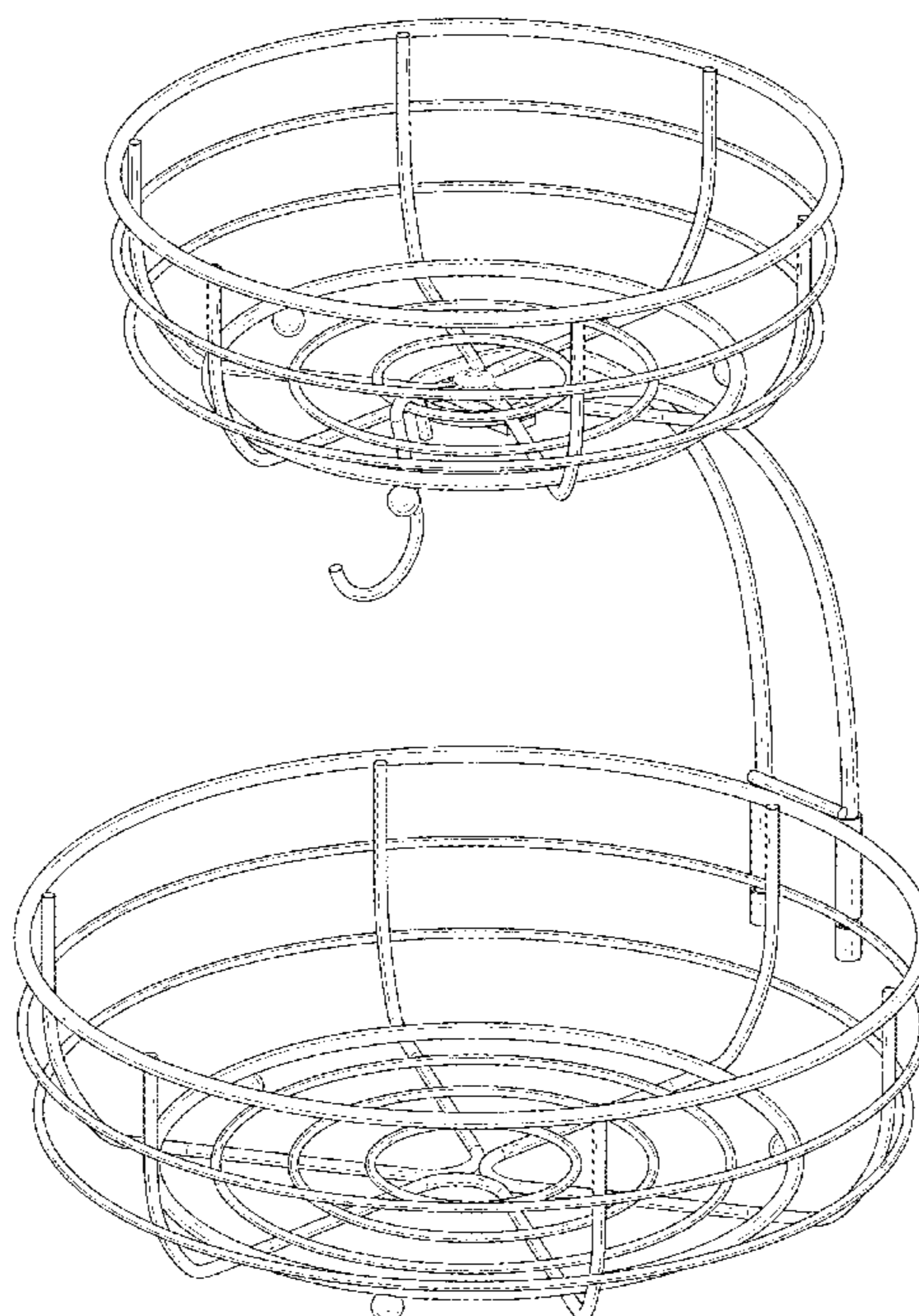
(56) **References Cited**

U.S. PATENT DOCUMENTS

D771,442 S	*	11/2016	Goodman	D7/602
D784,088 S	*	4/2017	Goodman	D7/601
D785,404 S	*	5/2017	Goodman	D7/500
D788,528 S	*	6/2017	Goodman	D7/601
D794,396 S	*	8/2017	Goodman	D7/601
D811,170 S	*	2/2018	Goodman	D7/704
D833,223 S	*	11/2018	Wilson	D7/601
D887,220 S	*	6/2020	Gee, II	D7/601
D887,223 S	*	6/2020	Gee, II	D7/601
D890,576 S	*	7/2020	Gee, II	D7/601
D891,189 S	*	7/2020	Gee, II	D7/601
D893,189 S	*	8/2020	Hu	D3/307

FIG. 1 is a front and top perspective view of a fruit basket, showing my new design;
FIG. 2 is a rear and bottom perspective view thereof;
FIG. 3 is a front elevational view thereof;
FIG. 4 is a rear elevational view thereof;
FIG. 5 is a left side elevational view thereof;
FIG. 6 is a right side elevational view thereof;
FIG. 7 is a top plan view thereof; and,
FIG. 8 is a bottom plan view thereof.
The broken lines in the figures illustrate portions of the fruit basket that form no part of the claimed design.

1 Claim, 8 Drawing Sheets



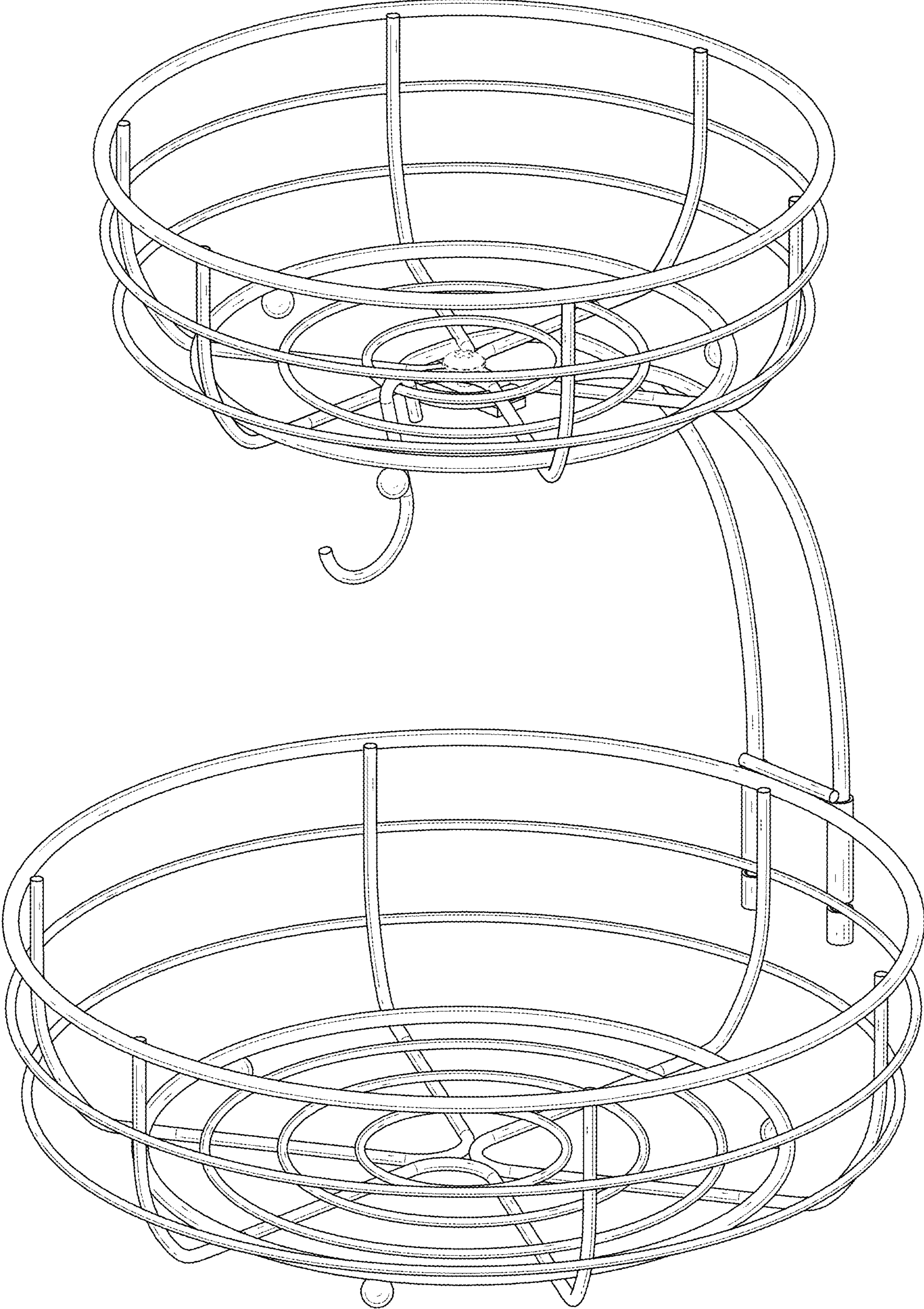


FIG. 1

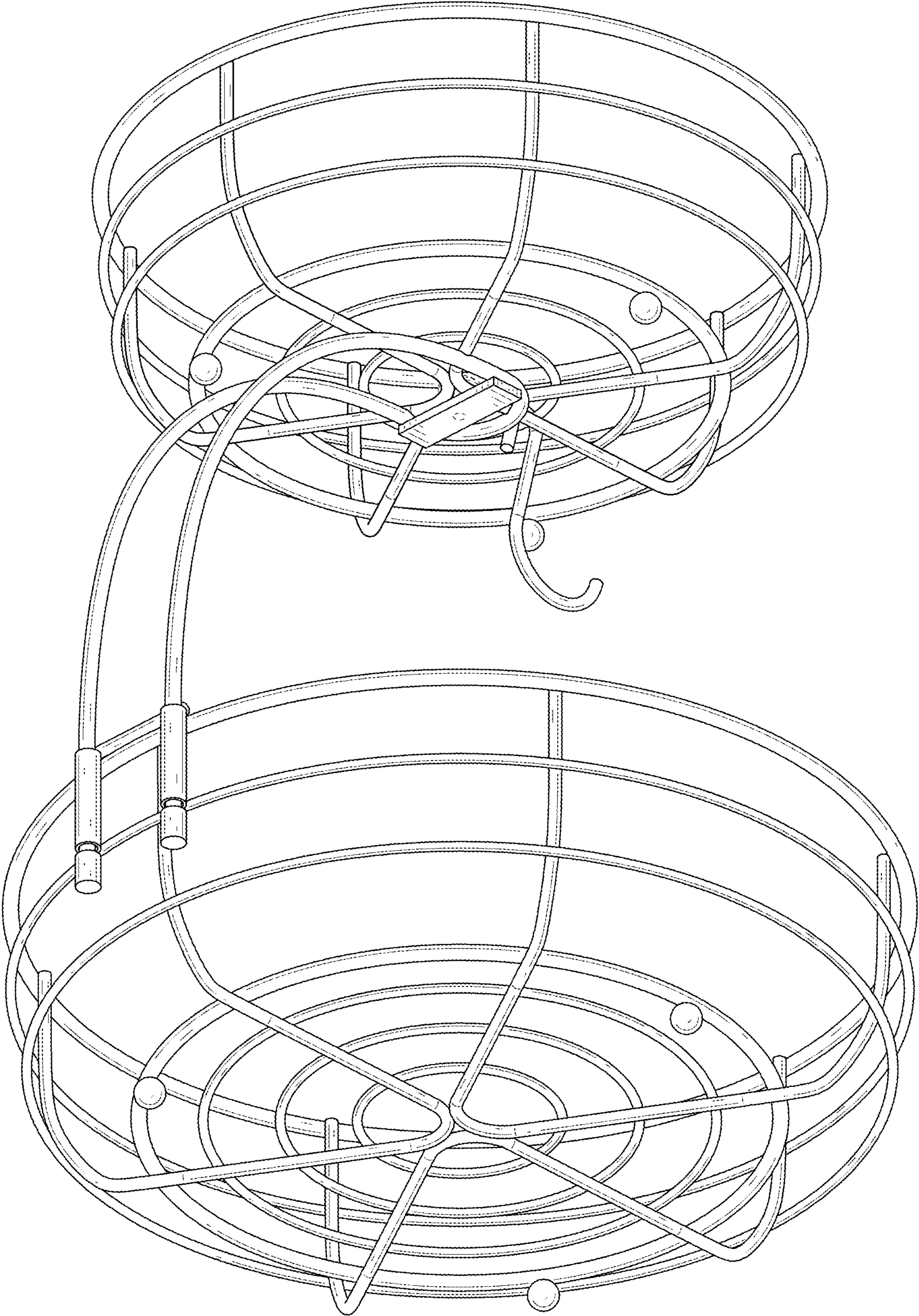


FIG. 2

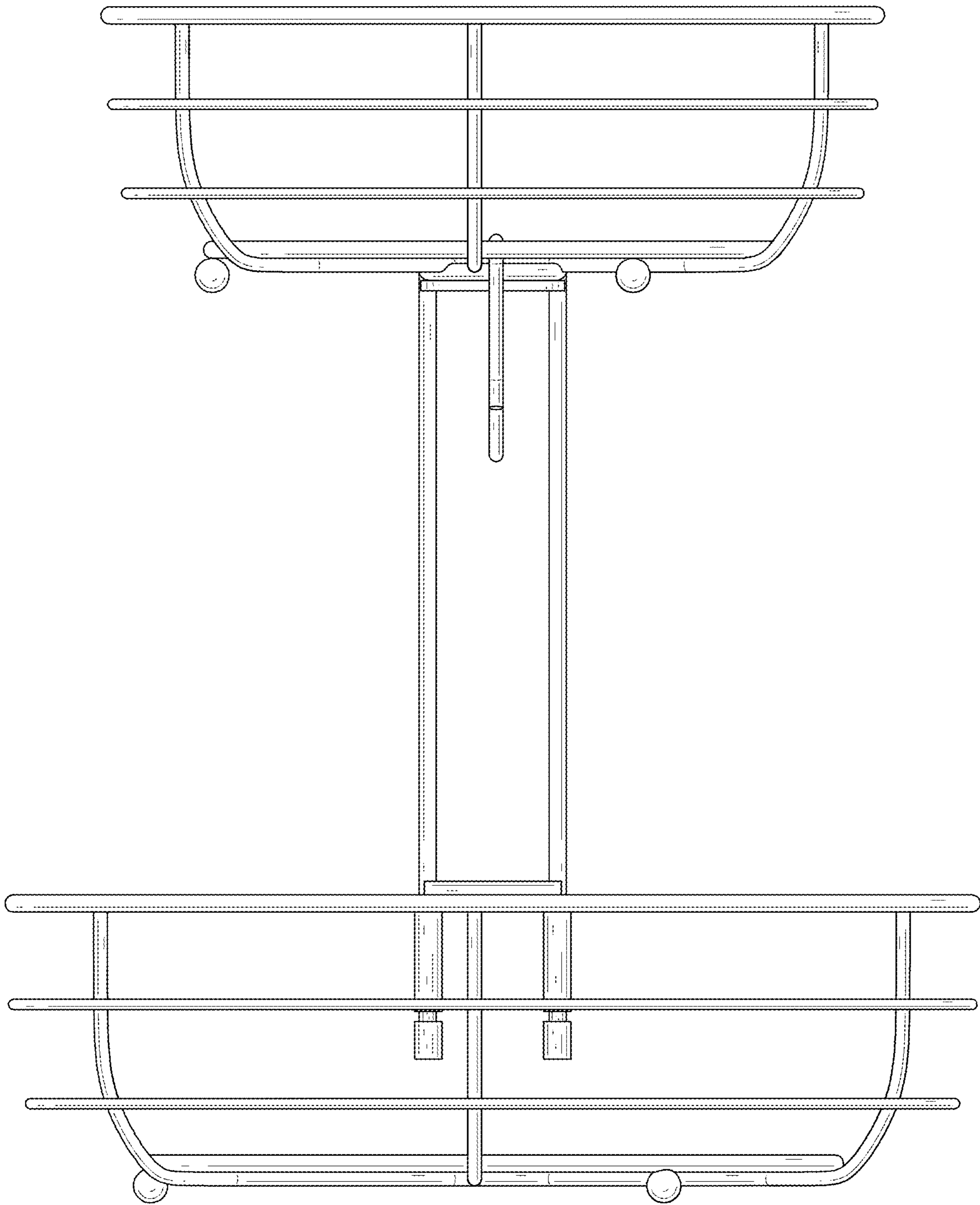


FIG. 3

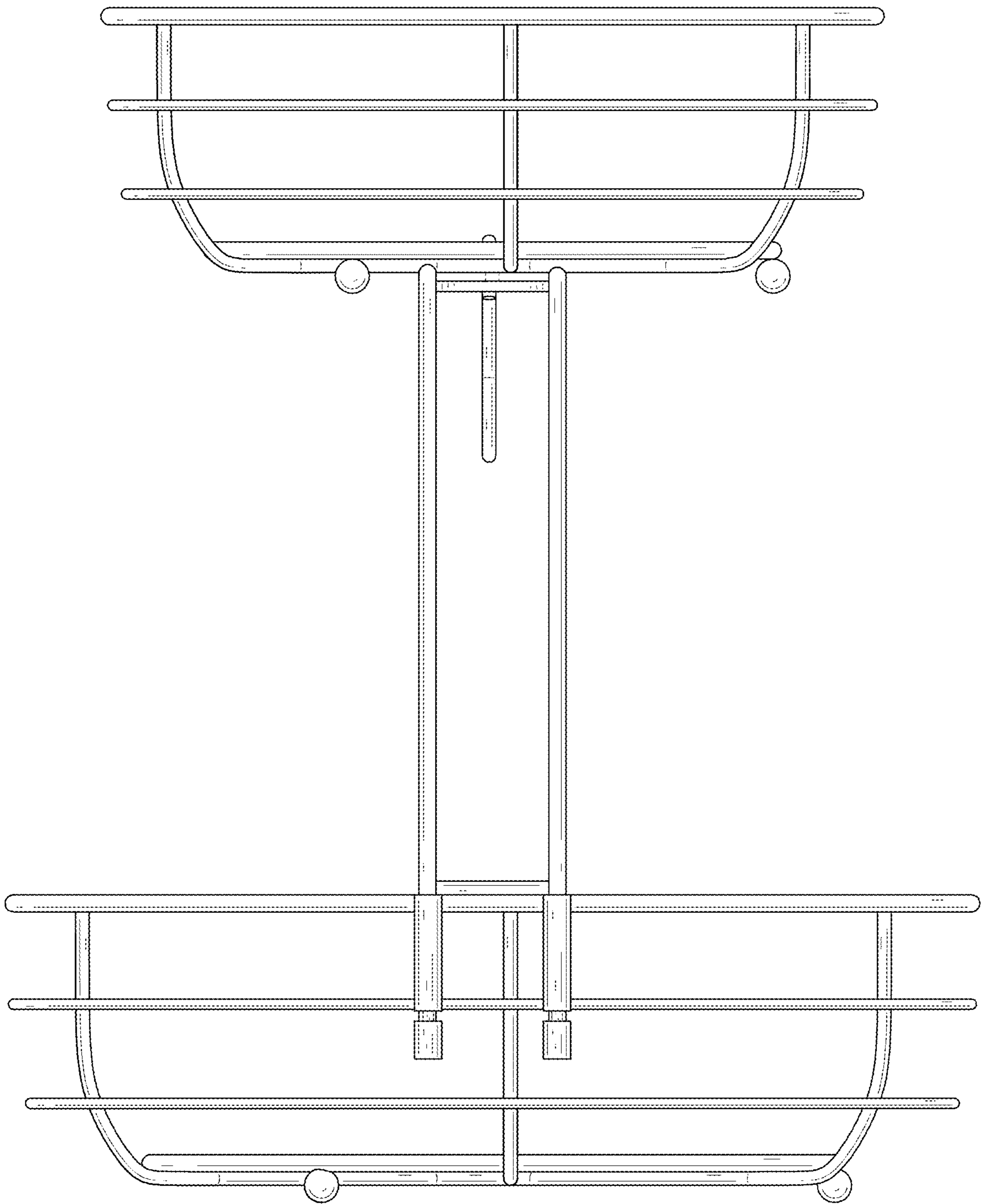


FIG. 4

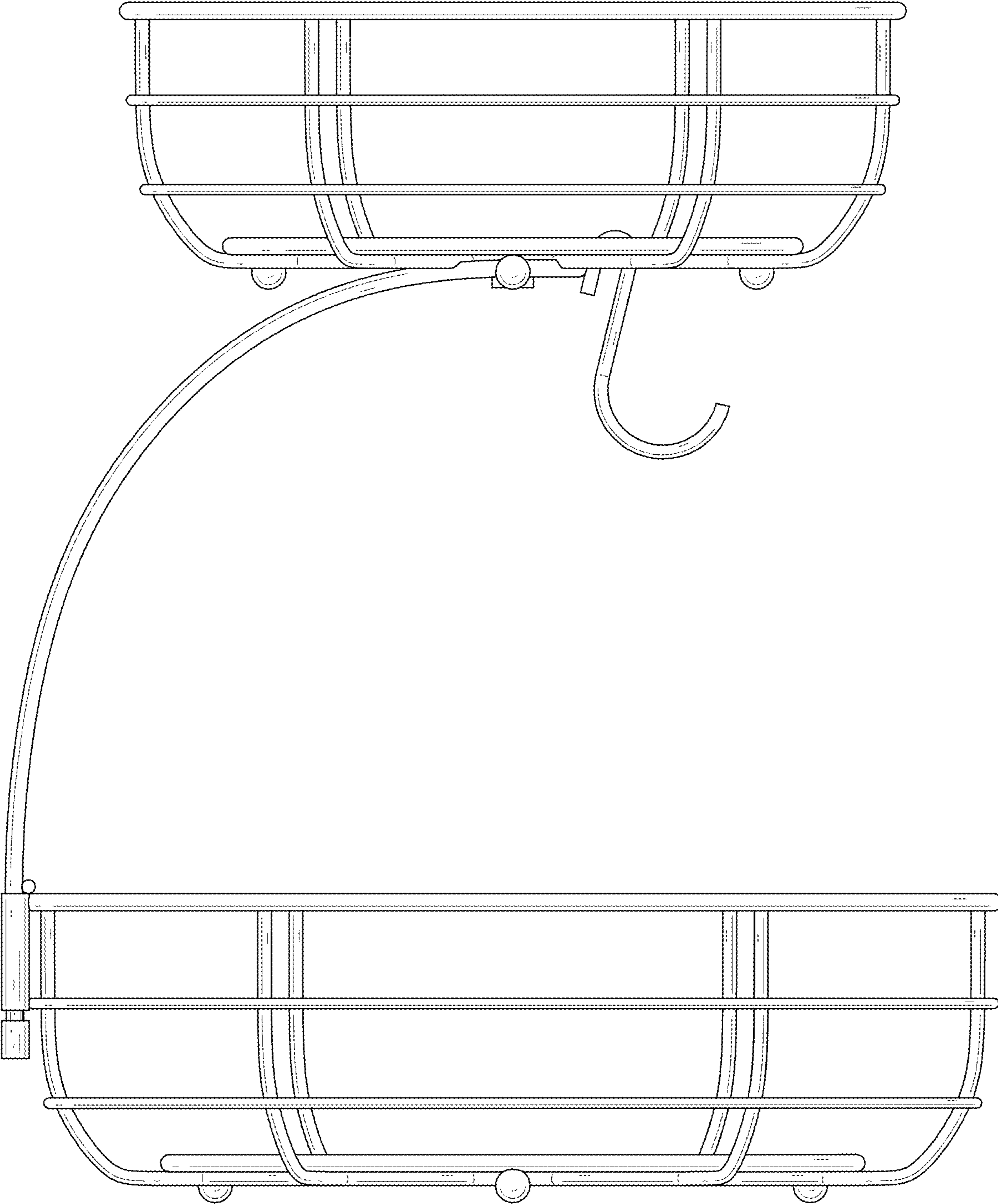


FIG. 5

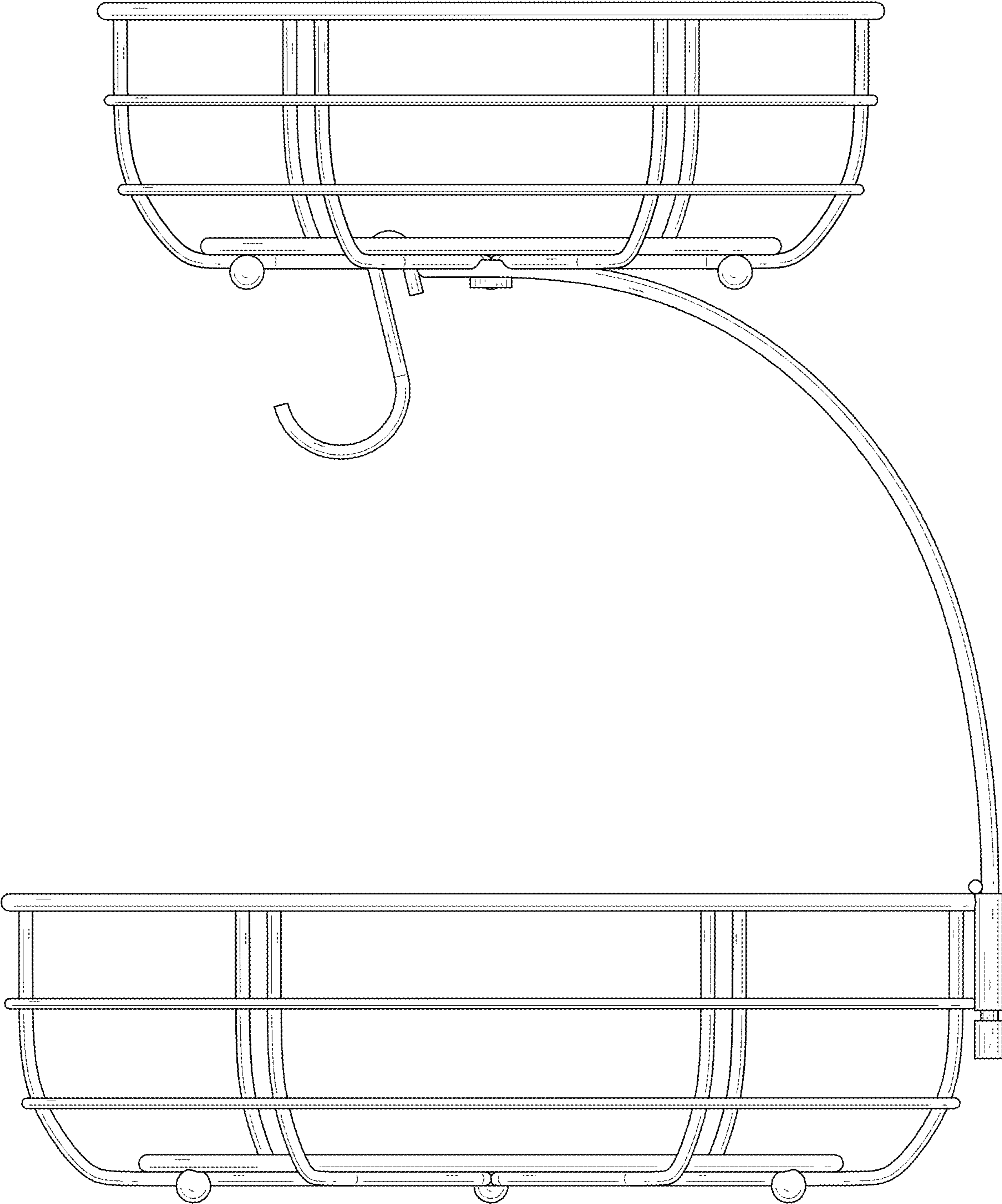


FIG. 6

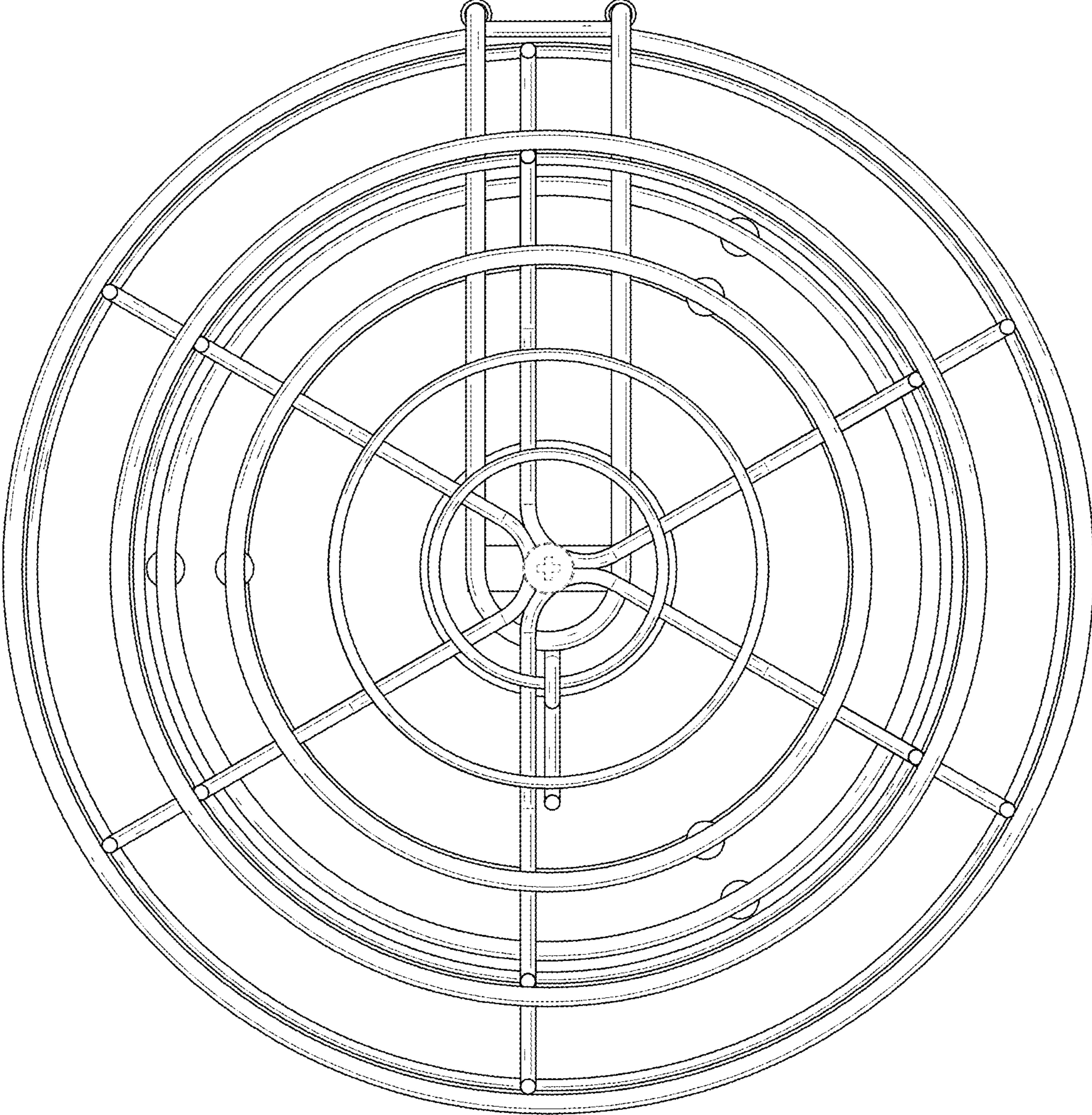


FIG. 7

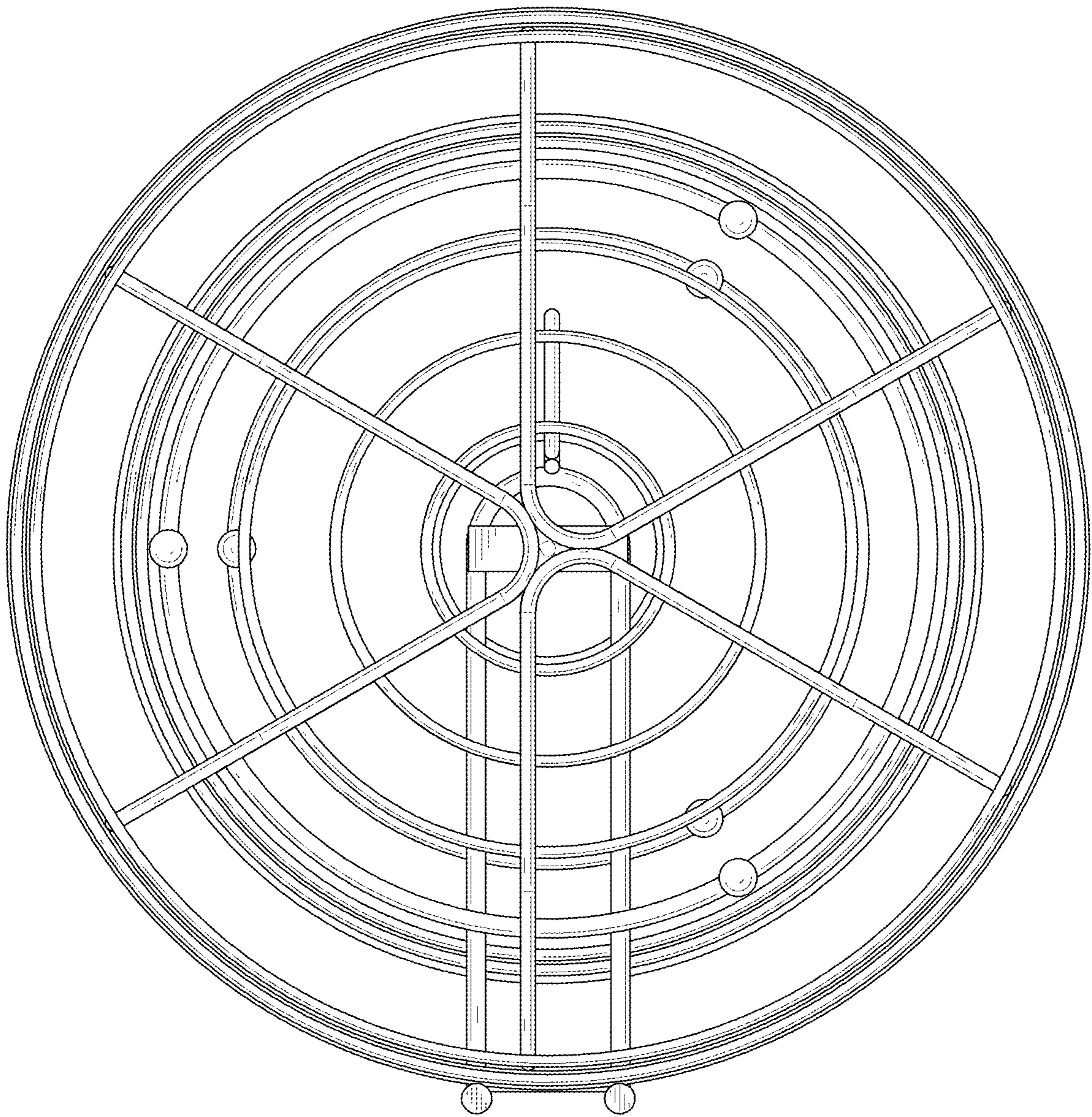


FIG. 8