



US00D971682S

(12) **United States Design Patent** (10) **Patent No.:** **US D971,682 S**
Godinger (45) **Date of Patent:** **** Dec. 6, 2022**

- (54) **DECANTER**
- (71) Applicant: **Godinger Silver Art Ltd.**, Ridgewood, NY (US)
- (72) Inventor: **Arnold Godinger**, Brooklyn, NY (US)
- (73) Assignee: **Godinger Silver Art Ltd.**, Ridgewood, NY (US)
- (**) Term: **15 Years**
- (21) Appl. No.: **29/800,186**
- (22) Filed: **Jul. 20, 2021**

D638,984 S	5/2011	Gould	
D642,477 S	8/2011	Lee tre	
D683,227 S	5/2013	Balini	
D693,693 S	11/2013	Sanchez	
D717,176 S	11/2014	Gomez	
D727,670 S	* 4/2015	Rokos D7/300.1
D812,980 S	3/2018	Buzzard et al.	
D824,823 S	8/2018	Yeo	
D854,740 S	7/2019	Opp	
D856,810 S	8/2019	James	
D873,080 S	1/2020	Eckart et al.	
D878,922 S	3/2020	Otani	
D881,016 S	4/2020	Hudson	
D887,276 S	6/2020	Evans	
D889,911 S	7/2020	Godinger	
D897,751 S	10/2020	Wolfgram	
D906,823 S	1/2021	Larsonneur	
D911,174 S	* 2/2021	Lauret D9/520

(Continued)

Related U.S. Application Data

- (63) Continuation of application No. 29/748,369, filed on Aug. 28, 2020, now Pat. No. Des. 927,937.
- (51) **LOC (13) Cl.** **07-06**
- (52) **U.S. Cl.**
USPC **D7/599**
- (58) **Field of Classification Search**
USPC D7/590, 598, 599, 600, 300, 312, 396.1, D7/397, 401.1; D9/544, 545, 546; D27/162, 163, 166, 167
CPC B65D 1/02; B65D 1/0223; B65D 1/40
See application file for complete search history.

(56) **References Cited**

U.S. PATENT DOCUMENTS

3,882,875 A	*	5/1975	Frost	A24F 1/30 131/229
D245,343 S	*	8/1977	Kahler	D27/162
D262,145 S	*	12/1981	Sher	D27/162
D545,135 S		6/2007	Bodum		
D545,136 S		6/2007	Bodum		
D559,113 S		1/2008	Brown et al.		
D618,109 S		6/2010	Morita		
D622,600 S		8/2010	Bradfield et al.		

Primary Examiner — Andrew Kerr

(74) *Attorney, Agent, or Firm* — Bochner IP, PLLC;
Andrew D. Bochner

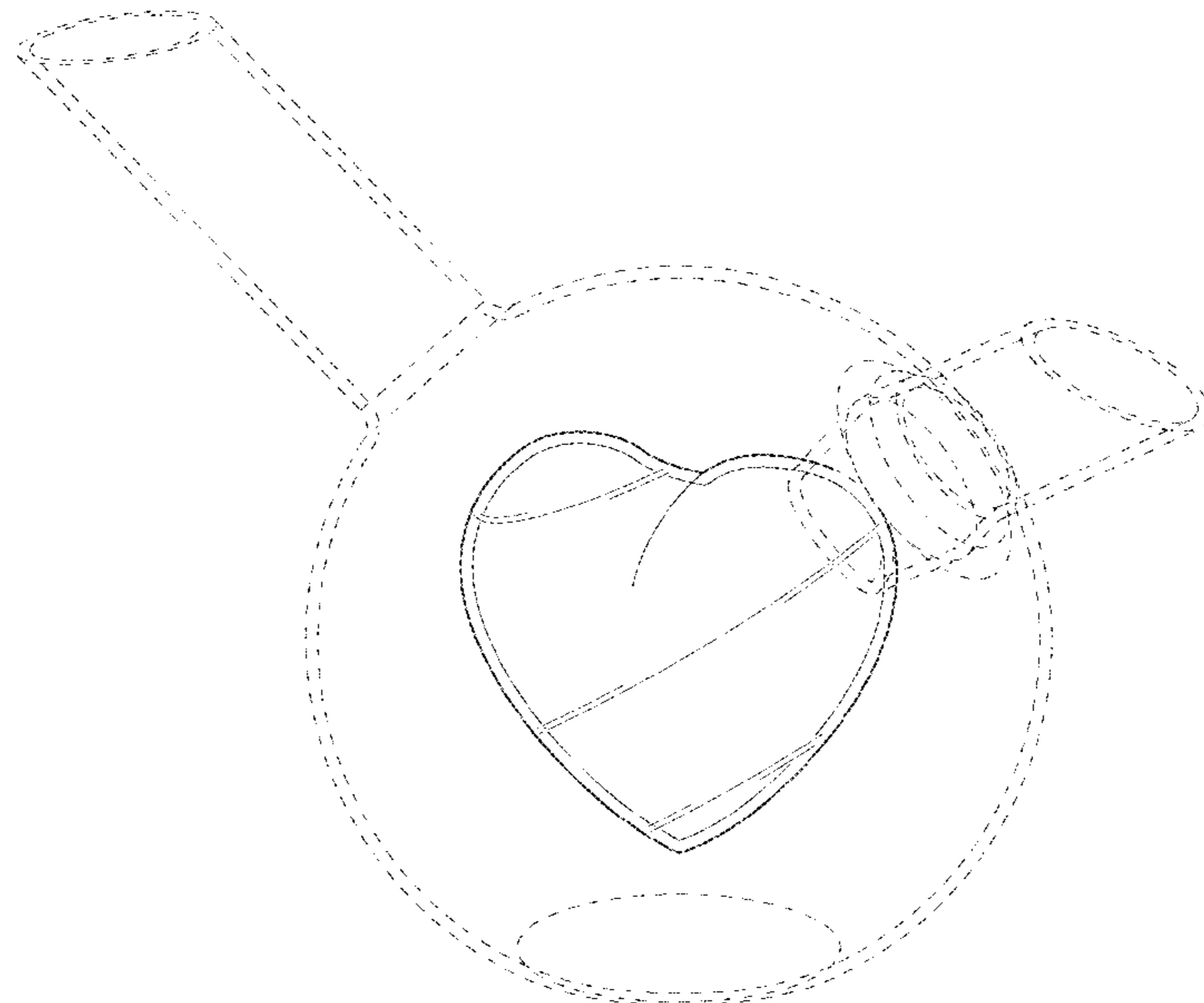
(57) **CLAIM**

The ornamental design for a decanter, as shown and described.

DESCRIPTION

FIG. 1 is a top, front, right-side perspective view of a decanter;
 FIG. 2 is a front elevation view thereof, the rear elevation view being a mirror image;
 FIG. 3 is a left-side elevation view thereof;
 FIG. 4 is a right-side elevation view thereof;
 FIG. 5 is a top plan view thereof;
 FIG. 6 is a bottom plan view thereof; and,
 FIG. 7 is a cross-section view thereof, taken along line 7-7 of FIG. 3.
 The broken lines in the drawings depict portions of the decanter that form no part of the claimed design.

1 Claim, 5 Drawing Sheets



(56)

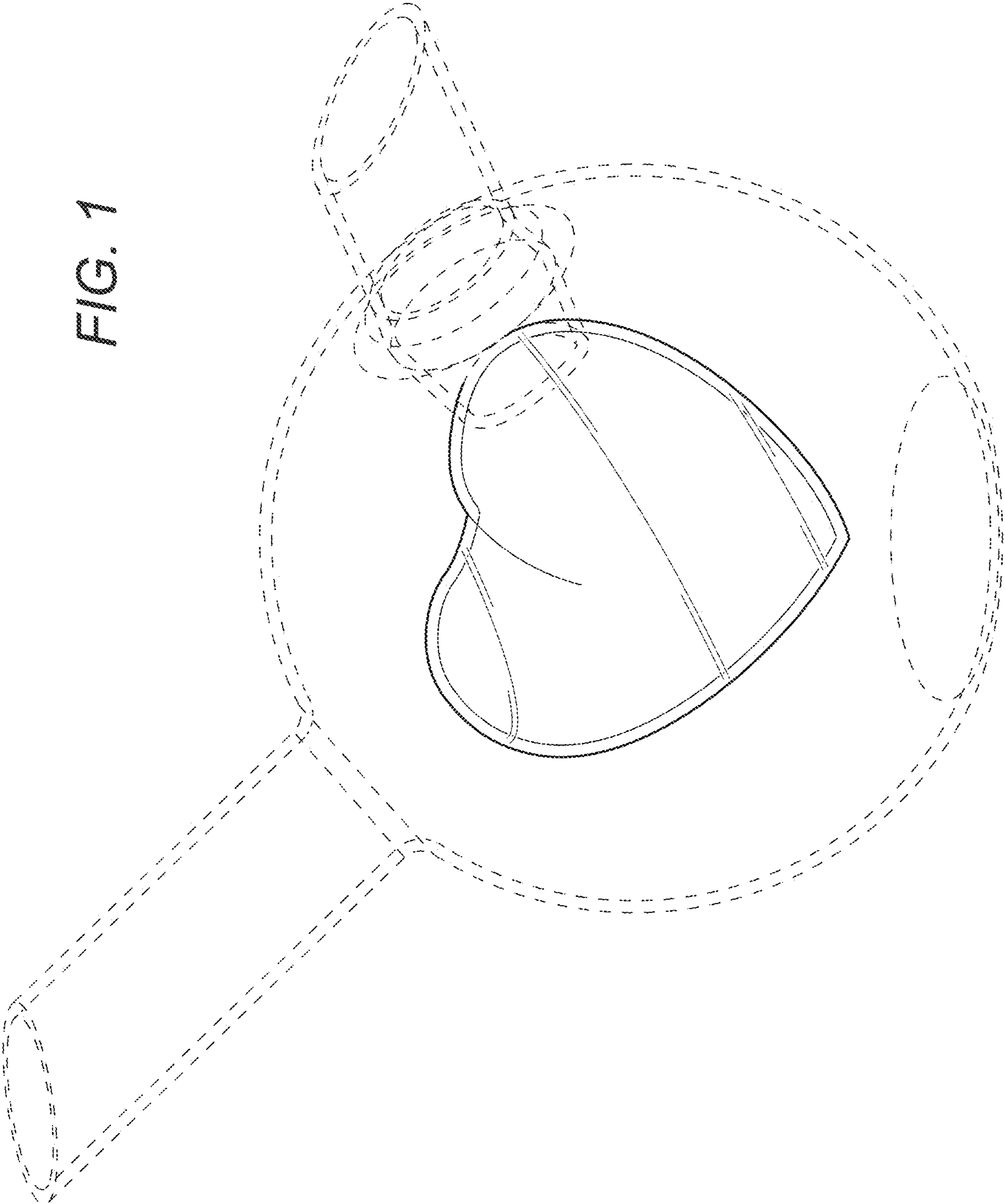
References Cited

U.S. PATENT DOCUMENTS

D927,055 S * 8/2021 Opp D27/162
2015/0264976 A1 9/2015 Benson
2018/0282011 A1 10/2018 Evans

* cited by examiner

FIG. 1



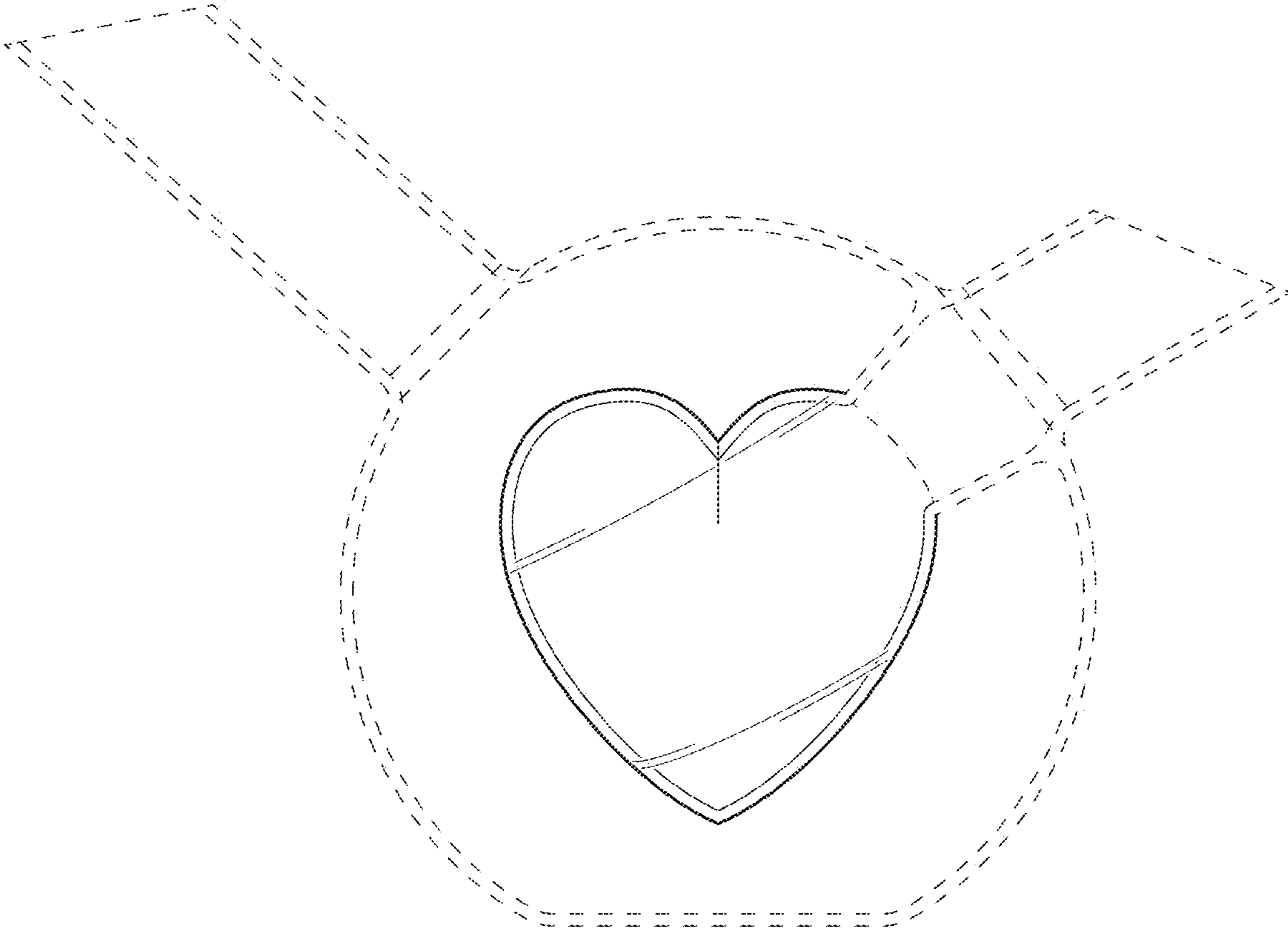


FIG. 2

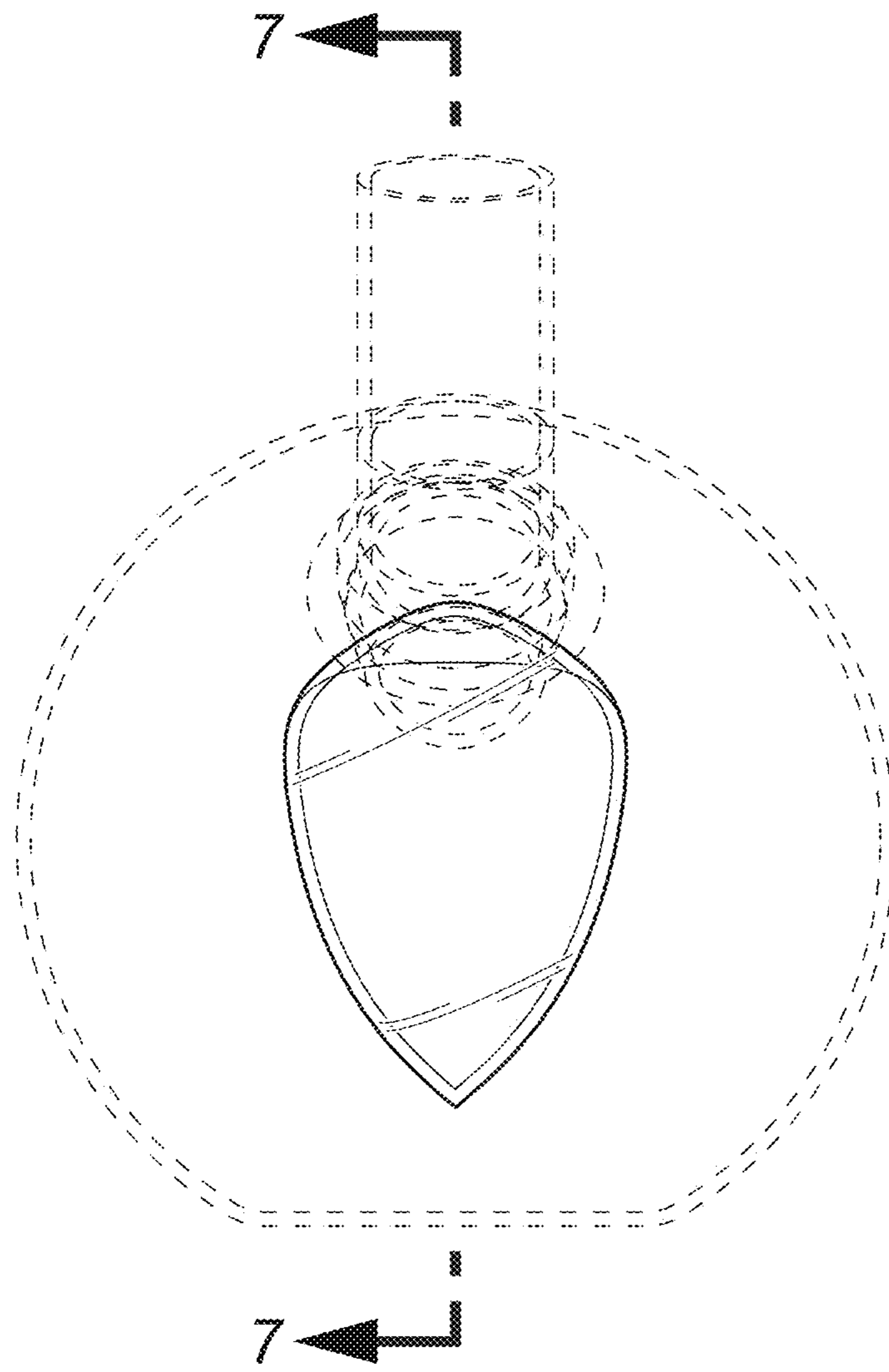


FIG. 3

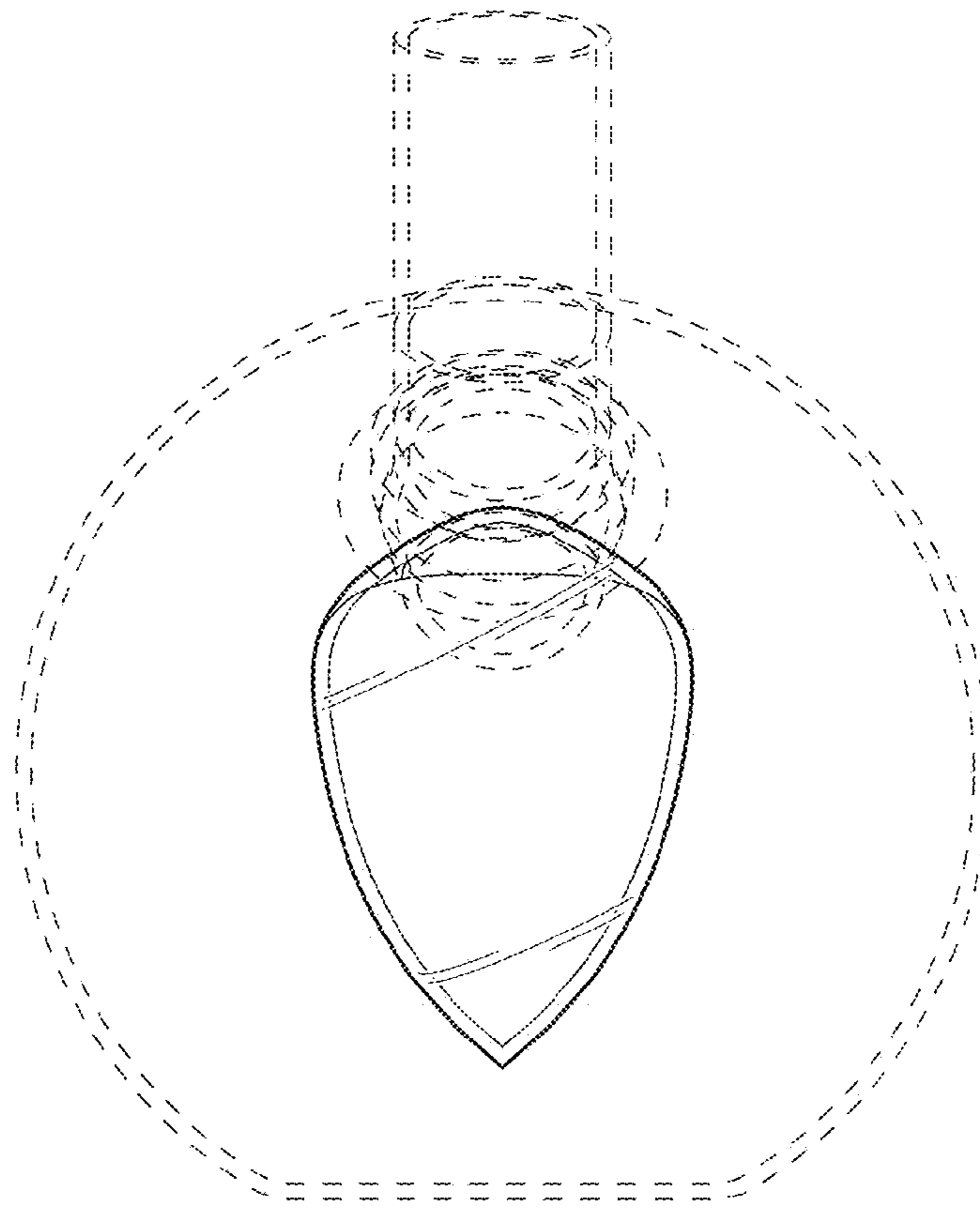


FIG. 4

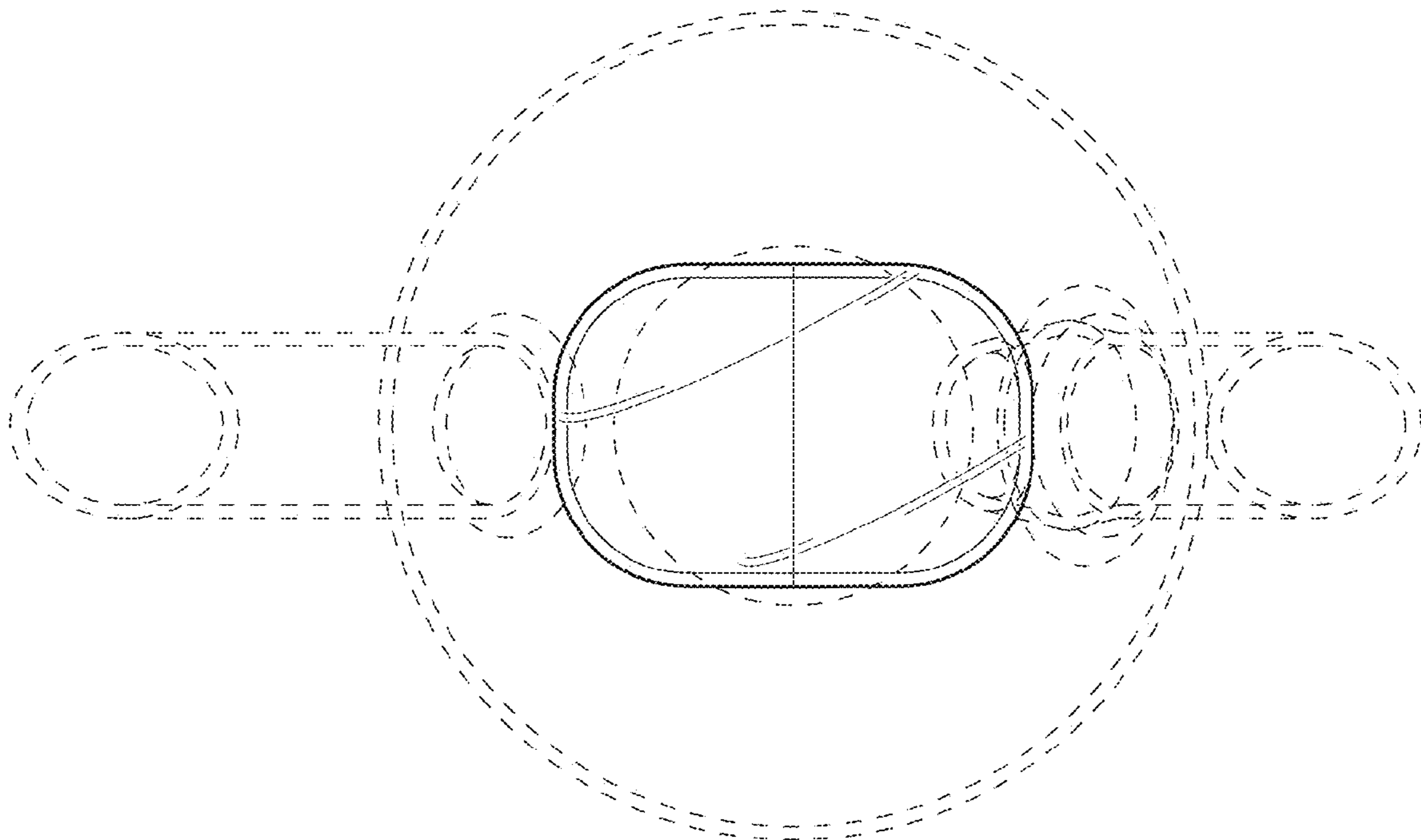


FIG. 5

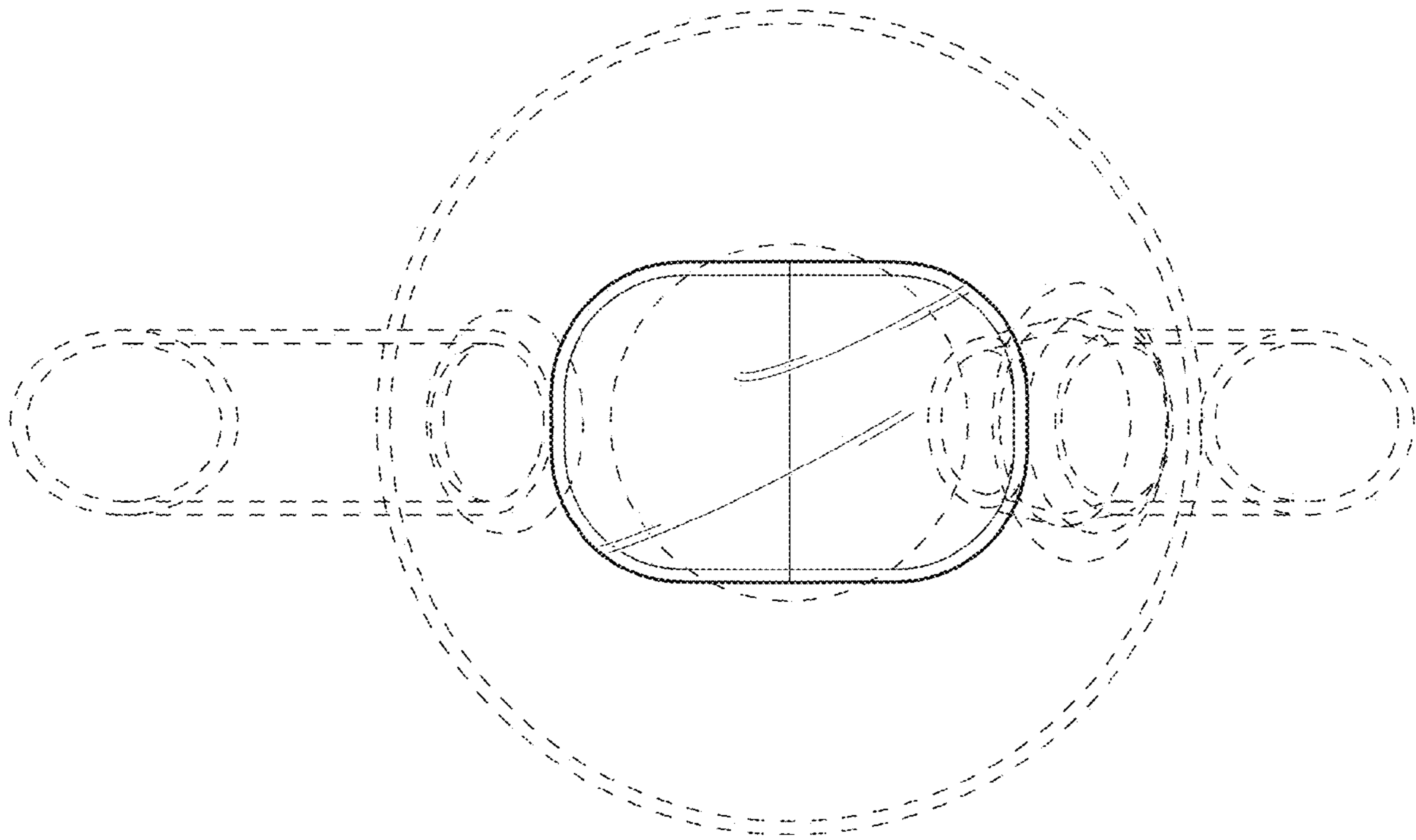


FIG. 6

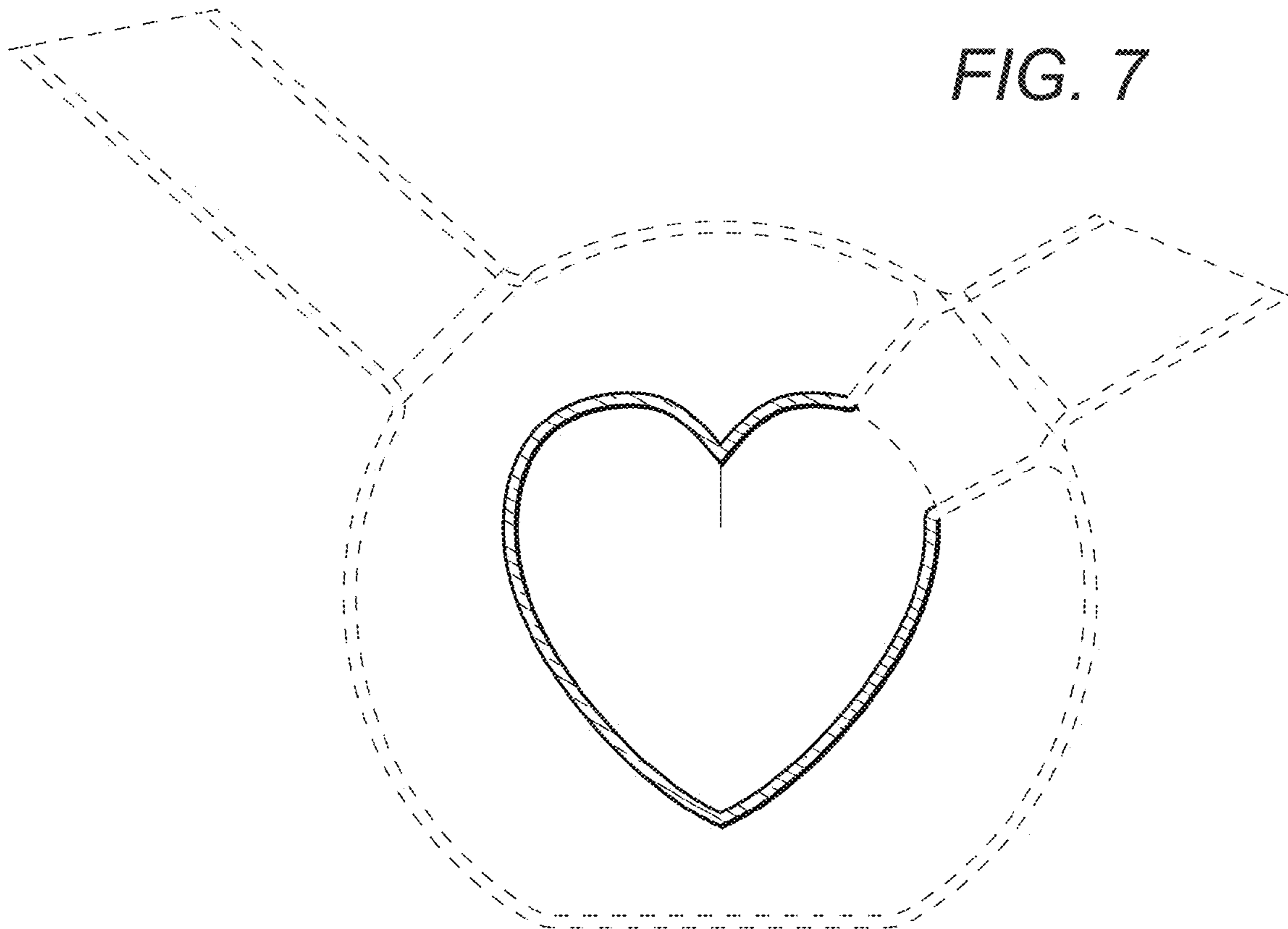


FIG. 7