



US00D971679S

(12) **United States Design Patent** (10) **Patent No.:** **US D971,679 S**  
**Boyd** (45) **Date of Patent:** **\*\* Dec. 6, 2022**

(54) **DOMINO EMBEDDED IN A CUP**

(71) Applicant: **Reuben Boyd**, Apopka, FL (US)

(72) Inventor: **Reuben Boyd**, Apopka, FL (US)

(\*\*) Term: **15 Years**

(21) Appl. No.: **29/788,447**

(22) Filed: **May 27, 2021**

(51) **LOC (13) Cl.** ..... **07-01**

(52) **U.S. Cl.**

USPC ..... **D7/515**; D21/391

(58) **Field of Classification Search**

USPC ..... D7/507, 509, 510, 511, 523, 532, 392.1,  
D7/396.2, 514, 515, 300, 300.1; D9/503,  
D9/504, 517, 434, 557, 530; D8/38, 34;  
D20/15; D21/391, 392

CPC ..... A47G 19/22; A47G 19/2288; A47G  
19/2205; A47G 19/2211; A47G 19/2216;  
A47G 19/2222; A47G 19/2227; A47J  
41/02; A47J 41/028

See application file for complete search history.

(56) **References Cited**

**U.S. PATENT DOCUMENTS**

D559,918 S *	1/2008	Ramsey	.....	D21/391
D663,163 S	7/2012	Dick et al.		
D710,568 S *	8/2014	Fox	.....	D1/199
D756,709 S	5/2016	Weitman		
D784,763 S *	4/2017	Oshana	.....	D9/530
D803,625 S	11/2017	Garcia		
D857,450 S *	8/2019	Wolfgram	.....	D7/509
D859,082 S *	9/2019	Wolfgram	.....	D21/708
D859,163 S	9/2019	Mecker et al.		
D871,226 S	12/2019	Mecker et al.		
D880,244 S	4/2020	De Oliveira		
D883,713 S *	5/2020	Glatt	.....	D6/601
D906,760 S	1/2021	Gavis		
D932,830 S *	10/2021	Wolfgram	.....	D7/514
D932,831 S *	10/2021	Wolfgram	.....	D7/514
D932,832 S *	10/2021	Wolfgram	.....	D7/514
D933,419 S *	10/2021	Wolfgram	.....	D7/514

**OTHER PUBLICATIONS**

[https://www.amazon.com/CafePress-Dominoes-Pint-Glass-Drinking/dp/B088X72WZN/ref=sr\\_1\\_1?crd=Q9G4V1V9N9MD&keywords=domino%2Bdrinking%2Bglass&qid=1657668078&srefix=domino%2Bdrinking%2Bglass%2Caps%2C131&sr=8-1&th=1](https://www.amazon.com/CafePress-Dominoes-Pint-Glass-Drinking/dp/B088X72WZN/ref=sr_1_1?crd=Q9G4V1V9N9MD&keywords=domino%2Bdrinking%2Bglass&qid=1657668078&srefix=domino%2Bdrinking%2Bglass%2Caps%2C131&sr=8-1&th=1) May 20, 2020 (Year: 2020).\*

5 VTG dink glasses lot embedded Swedish Swiss ? German coins Gustaf Adolf (n.d.). Retrieved Apr. 26, 2021, from <https://www.ebay.com/itm/383694922539?hash=item5955ffe32b:g:KekAAOSwNF1fOHxy>.

5 VTG dink glasses lot embedded Swedish Swiss ? German coins Gustaf Adolf (n.d.). Retrieved Apr. 26, 2021, from [https://www.ebay.com/itm/383694922539?hash=item5955ffe32b:g:KekAAOSwNF1fOHxy&nma=true&siZ9xS3qkP7NdlRcsMwzSA7O5D7R0%253D&orig\\_cvip=true&nordt=true&rt=nc&trksid=](https://www.ebay.com/itm/383694922539?hash=item5955ffe32b:g:KekAAOSwNF1fOHxy&nma=true&siZ9xS3qkP7NdlRcsMwzSA7O5D7R0%253D&orig_cvip=true&nordt=true&rt=nc&trksid=).

(Continued)

*Primary Examiner* — Jae Liang

(74) *Attorney, Agent, or Firm* — Dunlap Bennett & Ludwig, PLLC

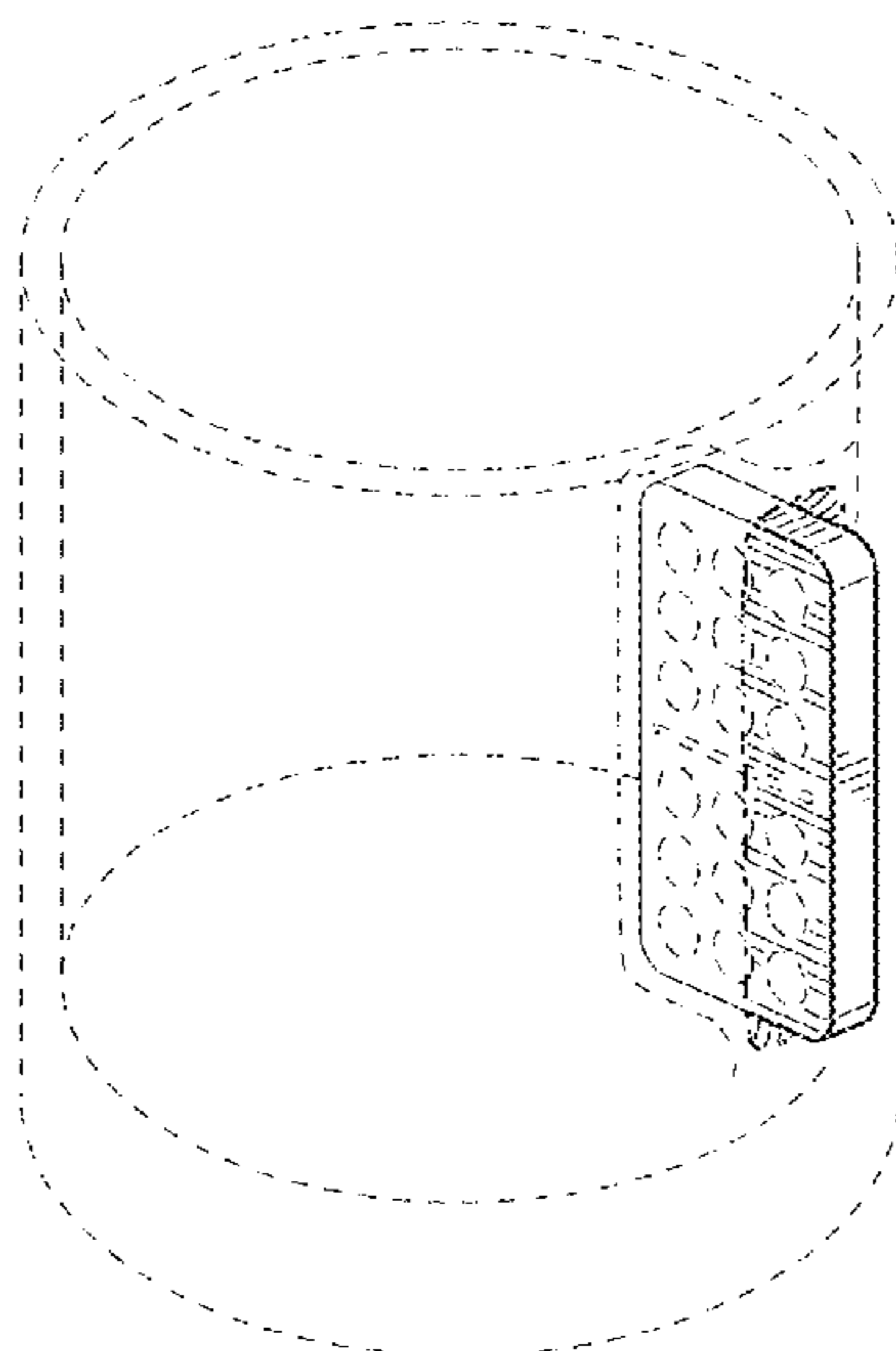
(57) **CLAIM**

The ornamental design for a domino embedded in a cup, as shown and described.

**DESCRIPTION**

FIG. 1 is a front perspective view of a domino embedded in a cup, showing my new design;  
FIG. 2 is a front elevation view of the present design;  
FIG. 3 is a rear elevation view of the present design;  
FIG. 4 is a left side elevation view of the present design;  
FIG. 5 is a right side elevation view of the present design;  
FIG. 6 is a top plan view of the present design; and,  
FIG. 7 is a bottom plan view of the present design.  
The broken lines in the drawings depict environmental subject matter only and form no part of the claimed design.  
The dash-dotted lines represent the bounds of the claim and form no part of the claimed design.

**1 Claim, 4 Drawing Sheets**



(56)

**References Cited**

OTHER PUBLICATIONS

Roman Emperor Head Tumbler Drinking Glass 3.5" Rare Coin Like Emblem (n.d.) Retrieved Apr. 26, 2021, from <https://www.ebay.com/itm/333975873649?hash=item4dc2836871:g:3-0AAOSwr31c52Ja>.

Military Challenge Coin Drinking Display (n.d.) Retrieved Apr. 26, 2021, from <https://www.pinterest.ca/pin/644788871631476421/>.

\* cited by examiner

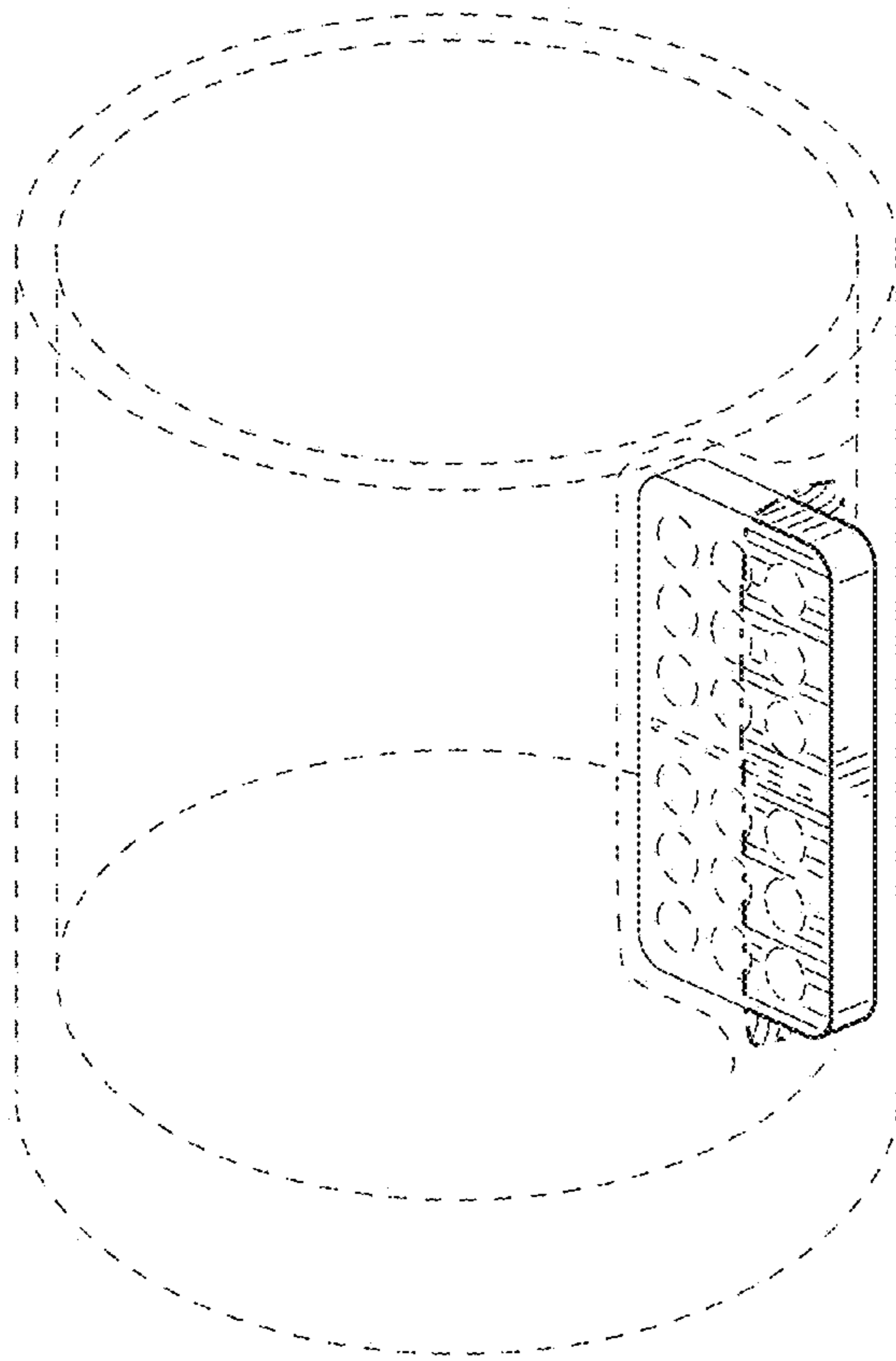


FIG. 1

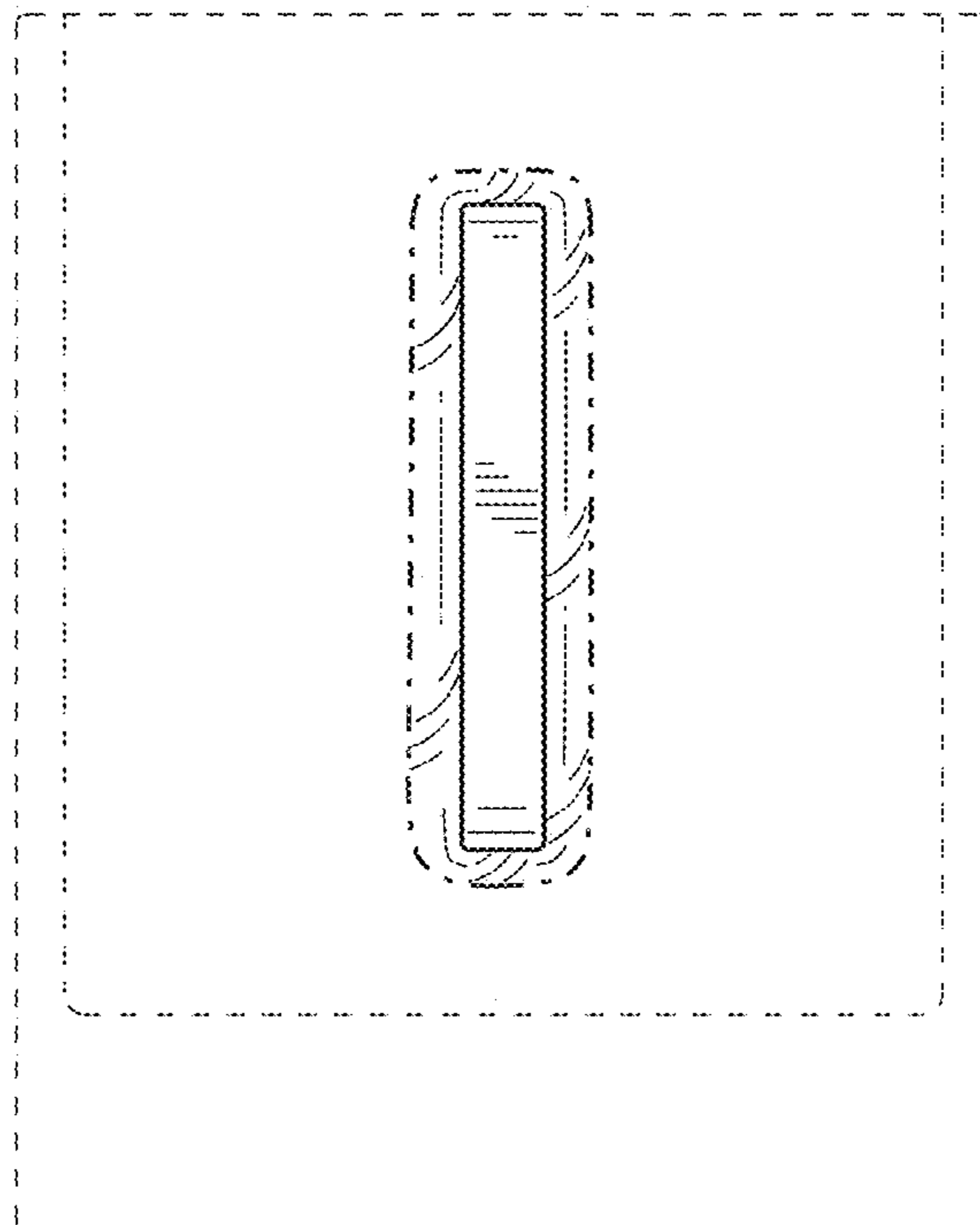


FIG. 2

FIG. 3

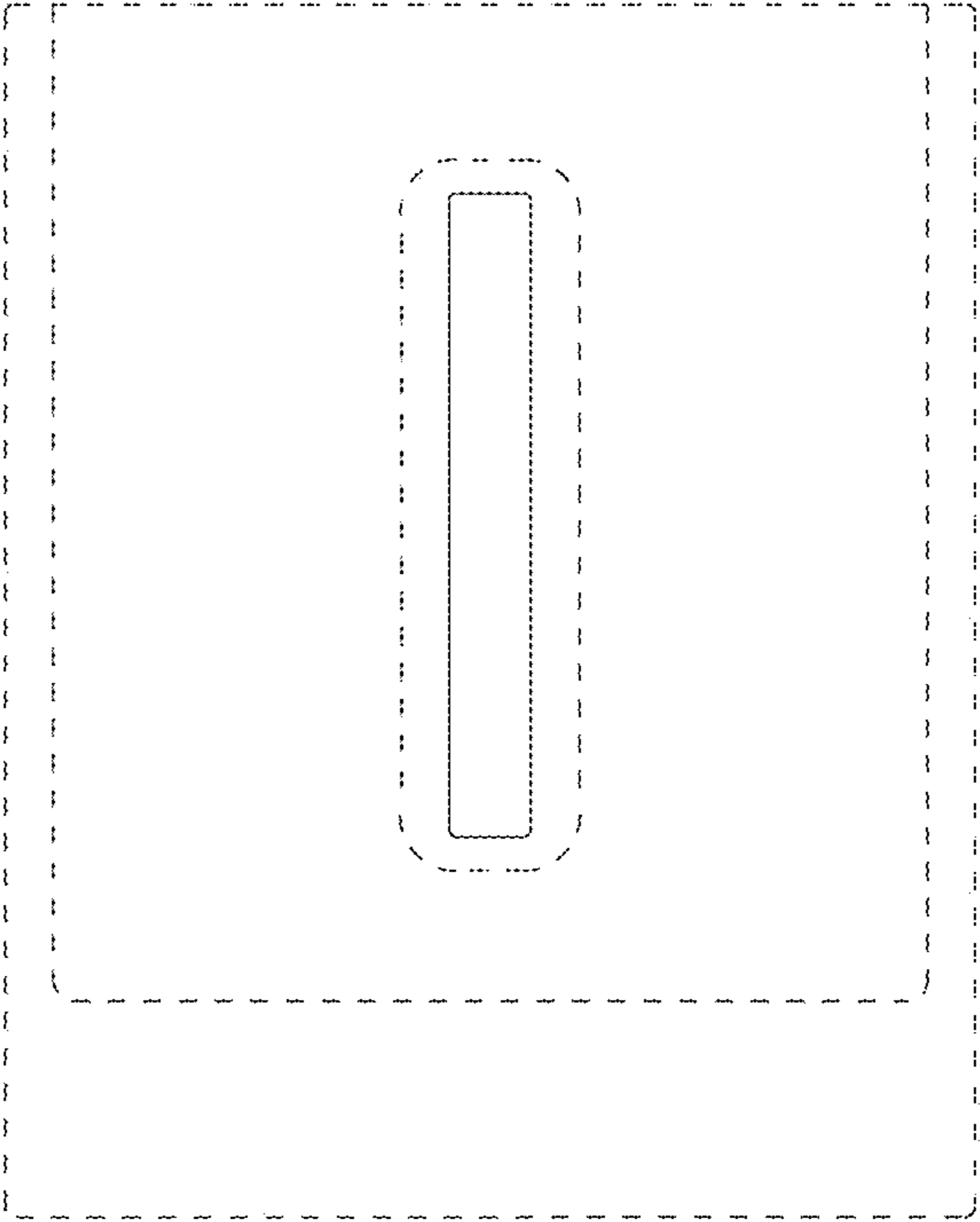


FIG. 4

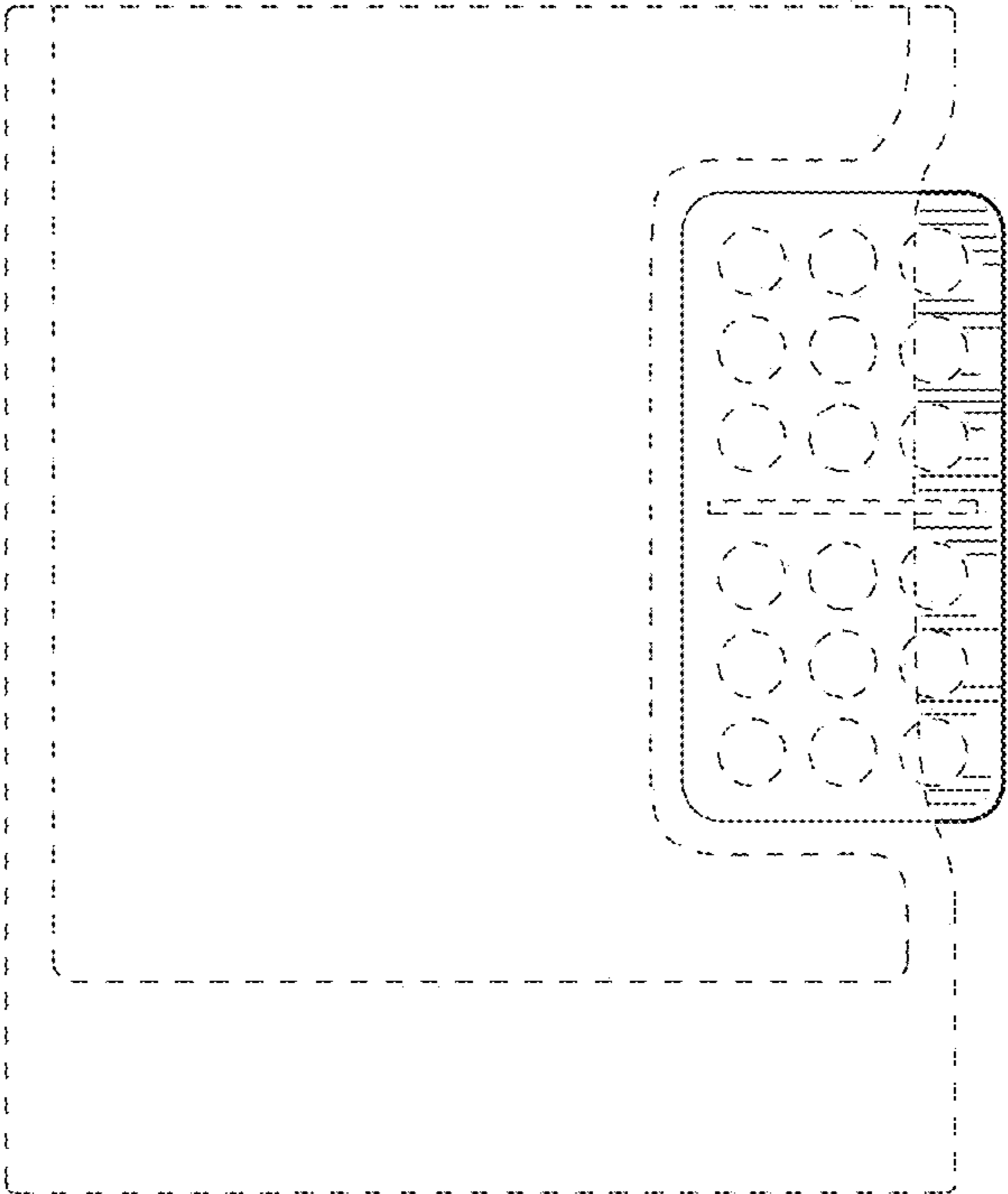


FIG. 5

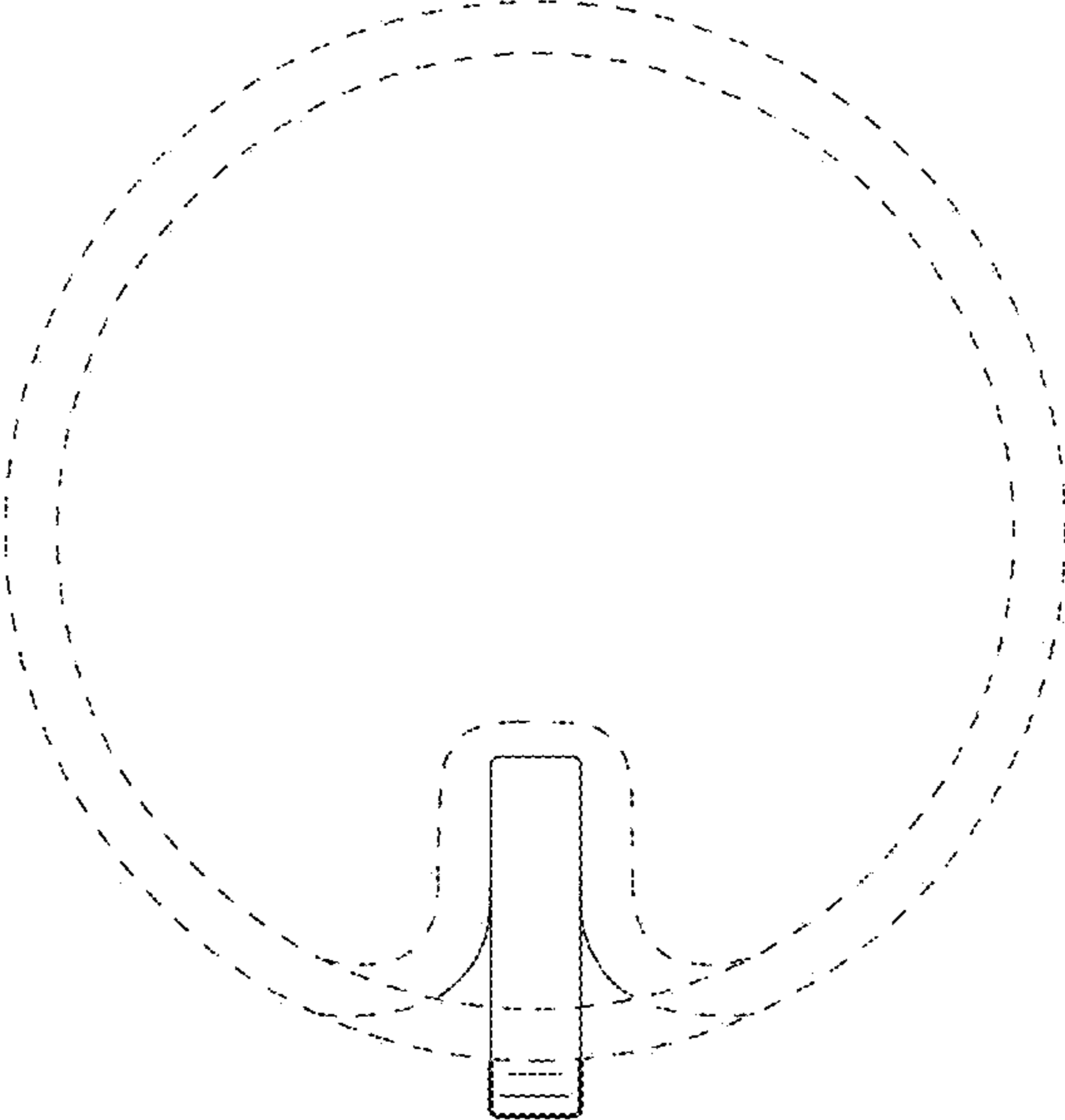
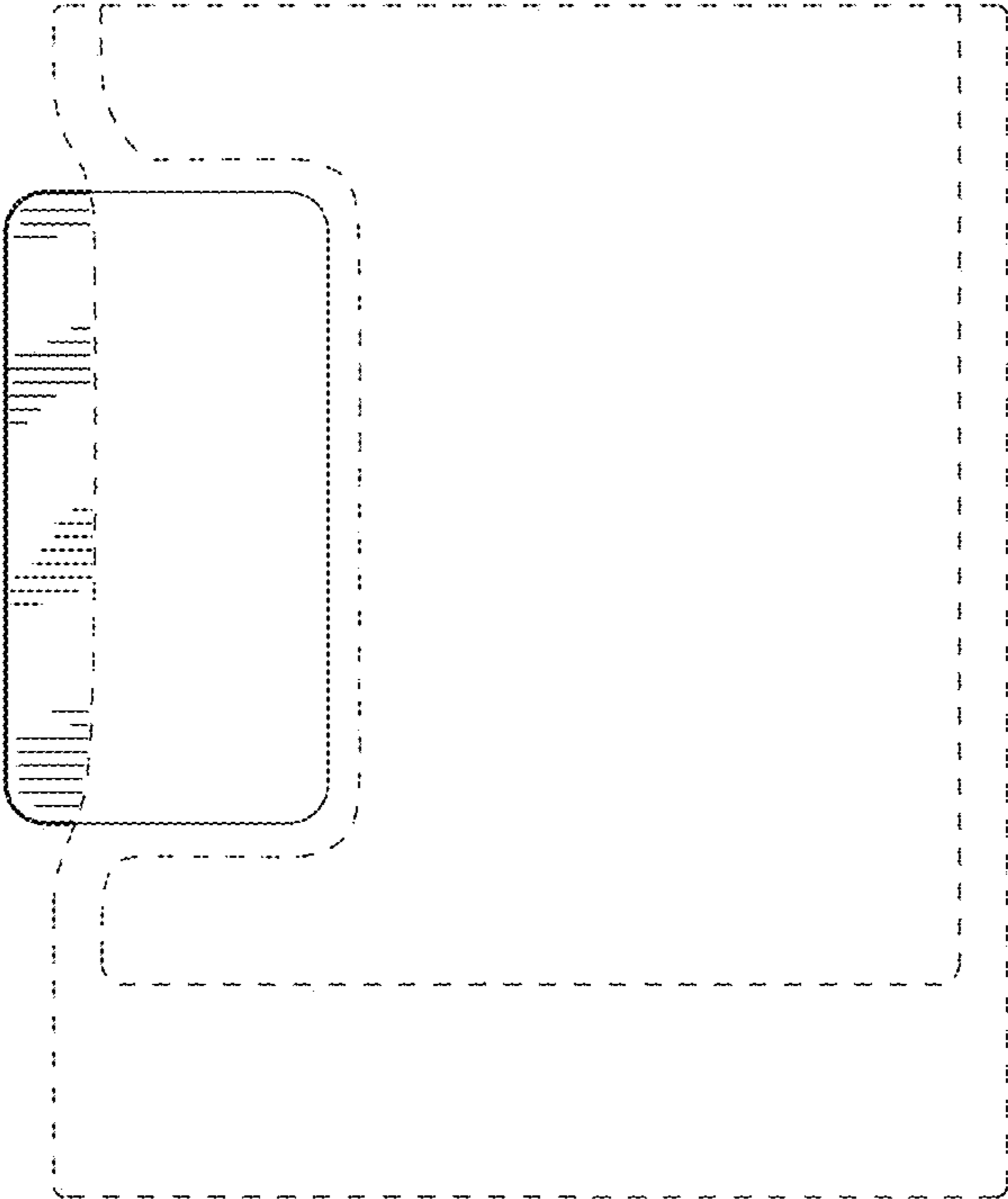


FIG. 6

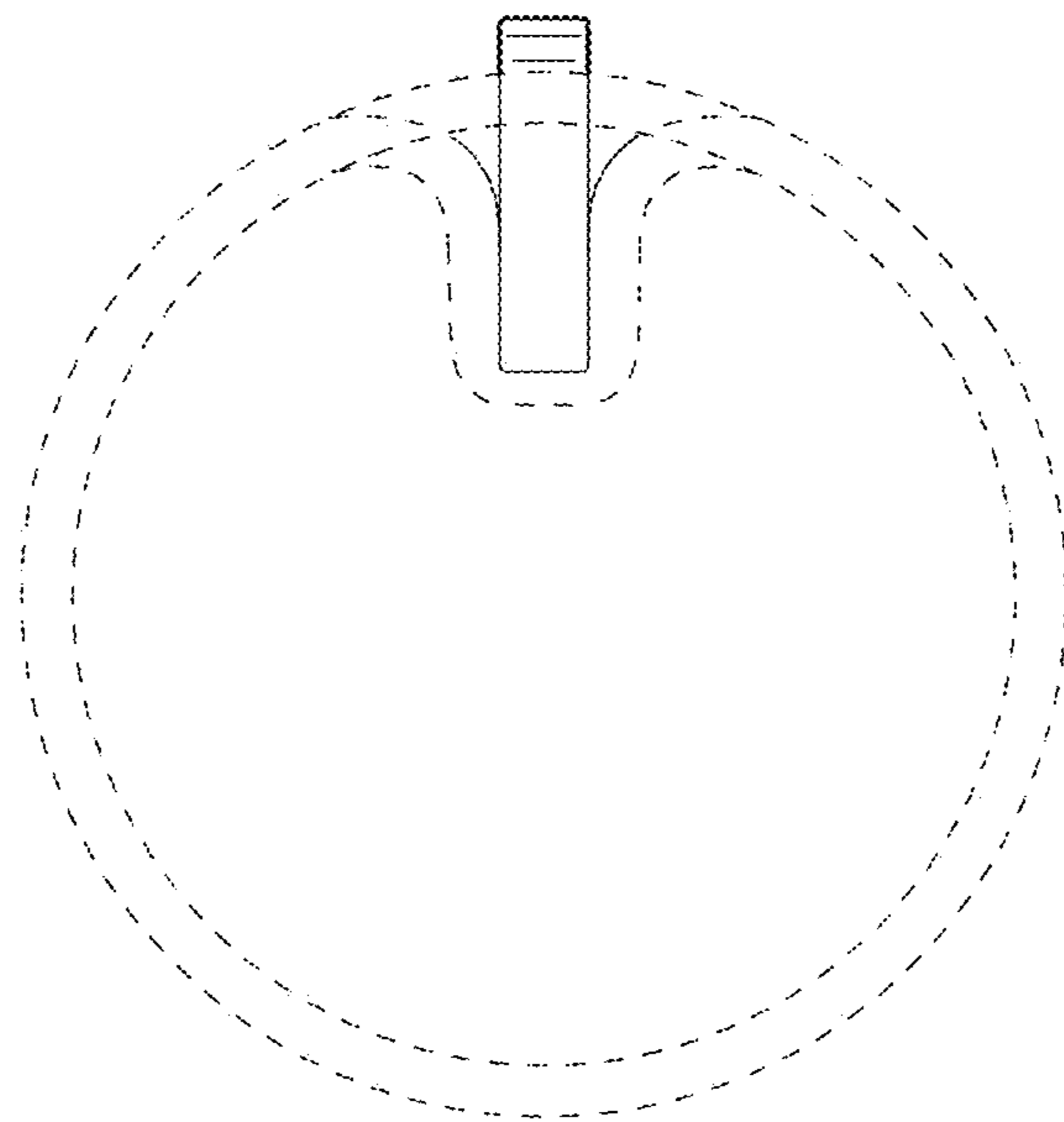


FIG. 7