



US00D971678S

(12) **United States Design Patent** (10) **Patent No.:** **US D971,678 S**
Li (45) **Date of Patent:** **** Dec. 6, 2022**

(54) **FOLDING WATER BOTTLE**
(71) Applicant: **Dongguan Shenghe Plastic Technology Co., Ltd., Dongguan (CN)**
(72) Inventor: **Jiixin Li, Dongguan (CN)**
(**) Term: **15 Years**
(21) Appl. No.: **29/760,678**
(22) Filed: **Dec. 3, 2020**
(51) **LOC (13) Cl.** **07-01**
(52) **U.S. Cl.**
USPC **D7/511; D30/129**
(58) **Field of Classification Search**
USPC D7/507, 509, 510, 511, 533, 536, 392.1, D7/396.1, 396.2, 608, 900; D30/132, D30/121, 122, 123, 124, 125, 126, 127, D30/128, 129, 130, 131, 133; D9/443, D9/449, 561; D3/202; D29/125, 126
CPC A47G 19/2205; A47G 23/16; A47G 19/2272; A47J 41/00; A47J 41/02; A47J 41/0077; Y10S 220/903; B65D 21/02; B65D 43/00; B65D 41/00
See application file for complete search history.

D941,093 S * 1/2022 Xu D30/129
D945,084 S * 3/2022 Ren D30/129
D947,464 S * 3/2022 Yan D30/129
D948,806 S * 4/2022 Dominguez D30/129
D950,167 S * 4/2022 Chen D30/129
(Continued)

FOREIGN PATENT DOCUMENTS

CN 305423428 * 11/2019
CN 305881250 * 6/2020
CN 306457063 * 4/2021
(Continued)

OTHER PUBLICATIONS

New Pet Solutions [online] URL: <https://www.amazon.com/NEW-PET-SOLUTIONS-Compact-Dispenser/dp/B08HSF7DN6> (site visited: May 16, 2022) (Year: 2020).*
(Continued)

Primary Examiner — Jae Liang
Assistant Examiner — Tia Ruth-Renee Polidori
(74) *Attorney, Agent, or Firm* — Rumit Ranjit Kanakia

(57) **CLAIM**

The ornamental design for a folding water bottle, as shown and described.

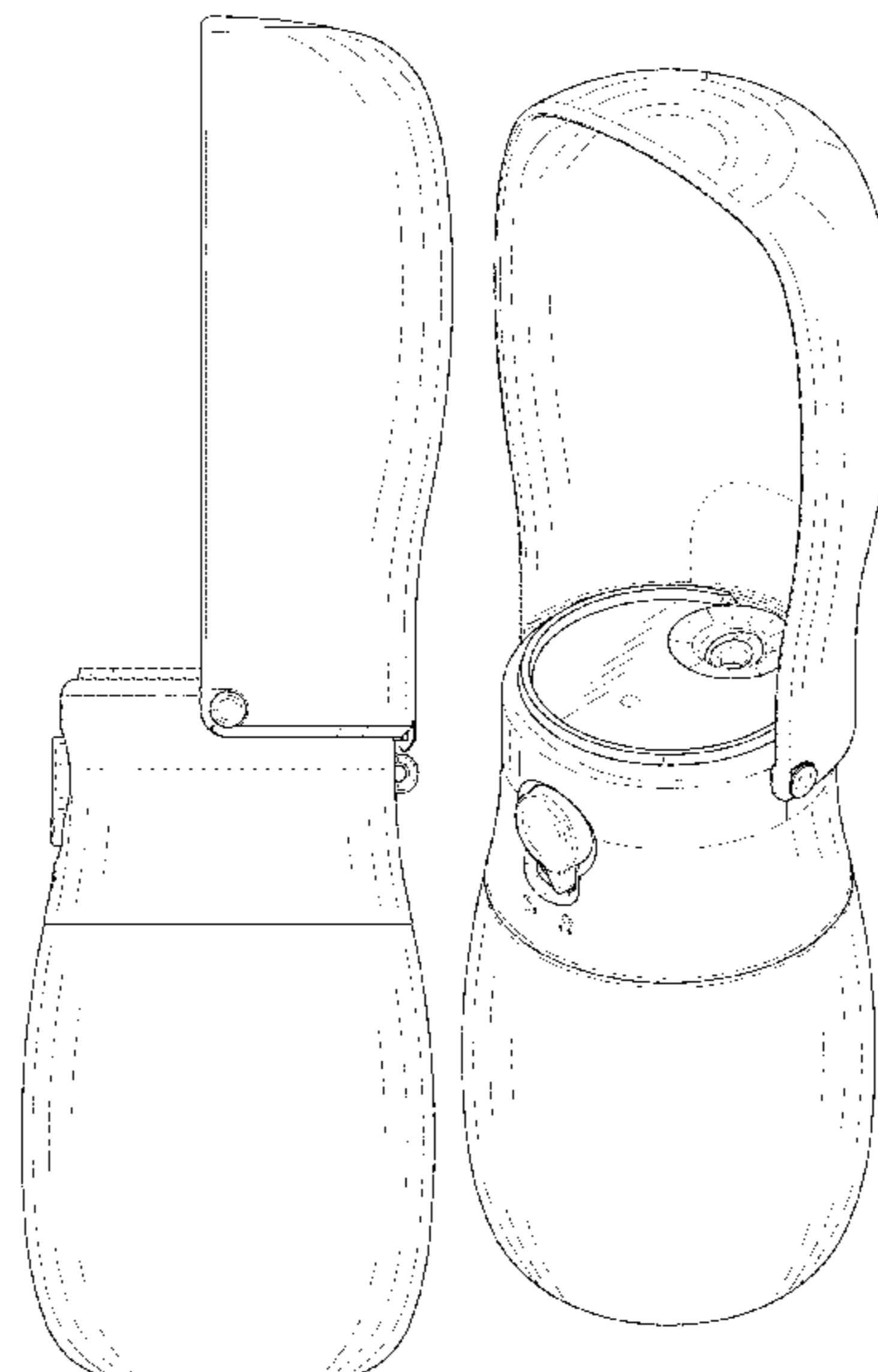
DESCRIPTION

FIG. 1 is front elevational view thereof of a folding water bottle showing my new design;
FIG. 2 is a rear elevational view thereof;
FIG. 3 is a left side elevational view thereof;
FIG. 4 is a right side elevational view thereof;
FIG. 5 is a top plan view thereof;
FIG. 6 is a bottom plan view thereof; and,
FIG. 7 is a top perspective view thereof.
The portions of the folding water bottle shown in broken lines form no part of the claimed design.

1 Claim, 7 Drawing Sheets

(56) **References Cited**
U.S. PATENT DOCUMENTS

D619,460 S * 7/2010 Beckerman D9/500
D692,116 S * 10/2013 Gordon D23/366
D719,448 S * 12/2014 Pires D9/504
D731,315 S * 6/2015 Pires D9/503
D757,551 S * 5/2016 Pires D9/503
D758,193 S * 6/2016 Pires D9/503
D850,017 S * 5/2019 Brucato D30/129
D861,258 S * 9/2019 Liang D30/129
D871,839 S * 1/2020 Sun D30/129
D892,412 S * 8/2020 Guo D30/132
D917,108 S * 4/2021 Xie D30/129
D917,794 S * 4/2021 Jin D30/129
D936,296 S * 11/2021 Chen D30/132



(56)

References Cited

U.S. PATENT DOCUMENTS

D950,168 S * 4/2022 Wu D30/129

FOREIGN PATENT DOCUMENTS

CN 306472067 * 4/2021
 GB 6213878 * 6/2022

OTHER PUBLICATIONS

Amalen [online] URL: https://www.amazon.com/Dog-Water-Bottle-Foldable-Dispenser/dp/B091611GRD/ref=cm_cr_arp_d_product_top?ie=UTF8&th=1 (site visited: May 16, 2022) (Year: 2021).*

HCY&WLD [online] URL: <https://www.amazon.com/HCY-WLD-Leakproof-Foodgrade-Dispenser/dD/B097NZZXBY?th=1> (site visited: May 16, 2022) (Year: 2021).*

Holalele [online] URL: <https://www.ubuy.com.tr/en/product/1F5WLKRU-subuigar-dog-water-bottle-pet-water-bottle-leak-proof->

dog-water-dispenser-food-grade-material-lightw (site visited: May 16, 2022) (Year: 2021).*

Omissa [online] URL: <https://www.amazon.com/dp/B09BFJT6H6> (site visited: May 16, 2022) (Year: 2021).*

Subuigar [online] URL: <https://www.ubuy.com.tr/en/product/1EKUQJMC-foldable-dog-water-bottle-dispenser-pet-water-bottles-puppy-water-dispenser-bottle-bpa-free-for-pets> (site visited: May 16, 2022) (Year: 2021).*

Parvusli [online] URL: <https://www.walmart.com/ip/Parvusli-Pet-Dog-Out-Portable-Folding-Accompanying-Cup-Drinking-Kettle/282653725?wmlspartner=wlpa&selectedSellerId=101043438> (site visited: May 16, 2022) (Year: 2022).*

Stibadium [online] URL: <https://www.walmart.com/ip/Foldable-Dog-Water-Bottle-Dispenser-Pet-Water-Bottles-Puppy-Water-Dispenser-Bottle-BPA-Free-for-Pets-Outdoor-Walking-Hiking-Travel-Blue-10-Oz/729551404?wmlspartner=wlpa&selectedSellerId=16214> (site visited: May 16, 2022) (Year: 2022).*

Cibaabo [online] URL: <https://www.amazon.com/Portable-Dispenser-Detachable-Container-Cibaabo/dp/B09F5ZYV7M> (site visited: Sep. 15, 2022) (Year: 2021).*

* cited by examiner

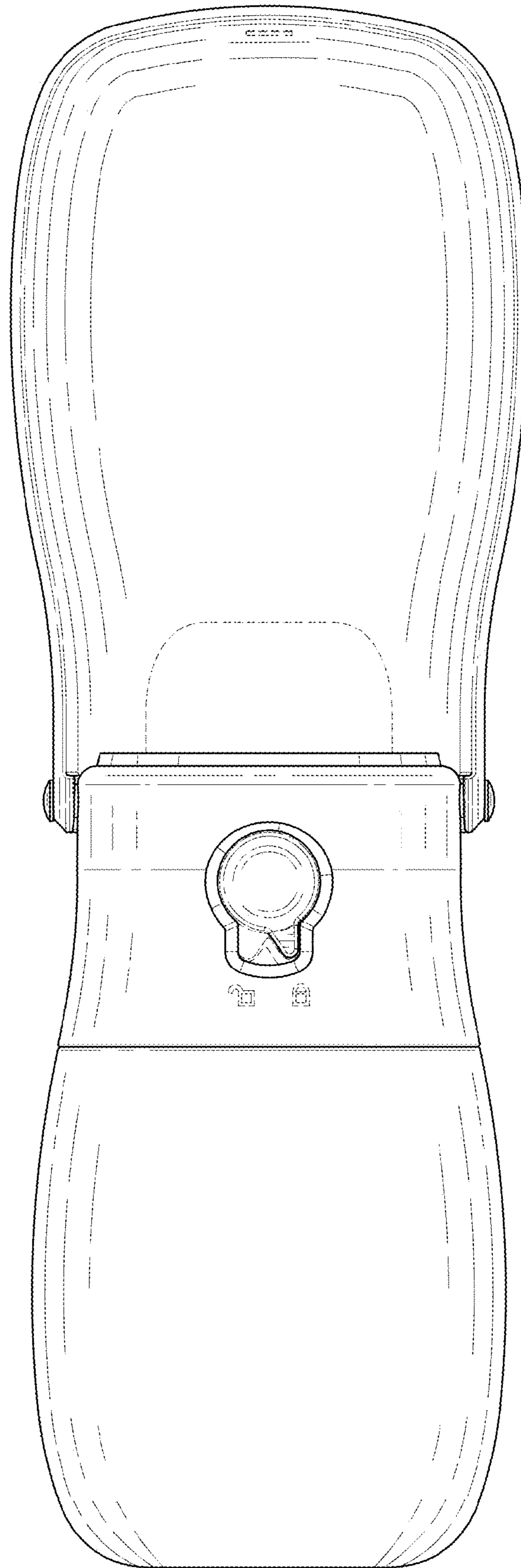


FIG. 1

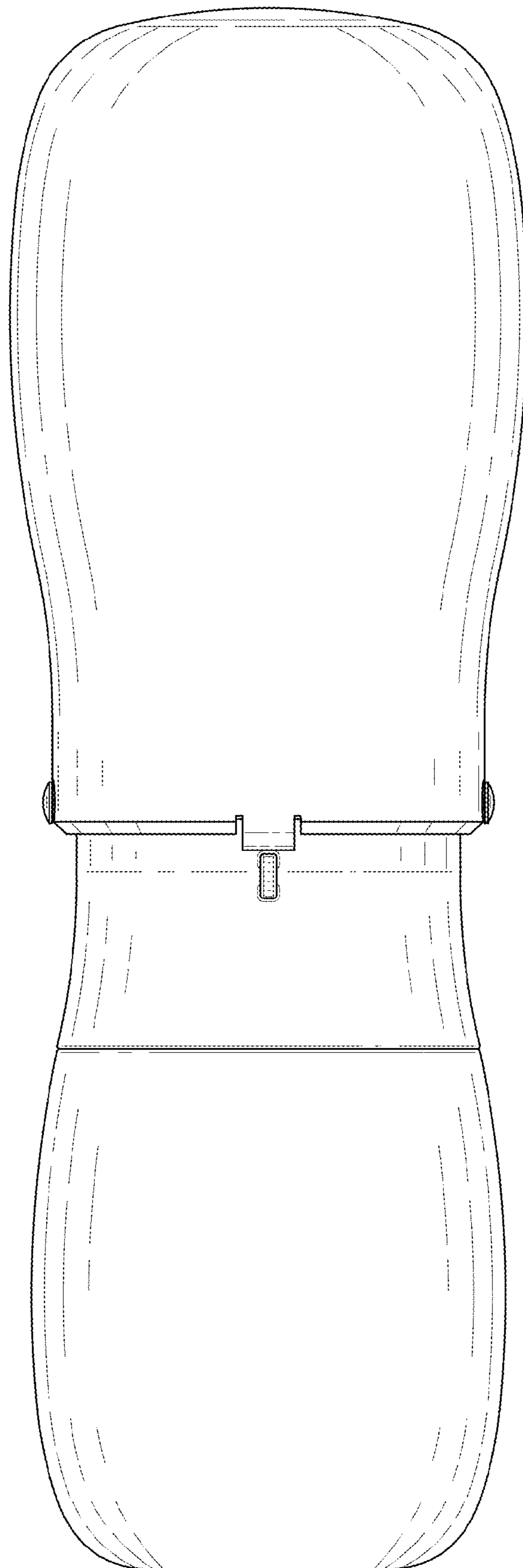


FIG. 2

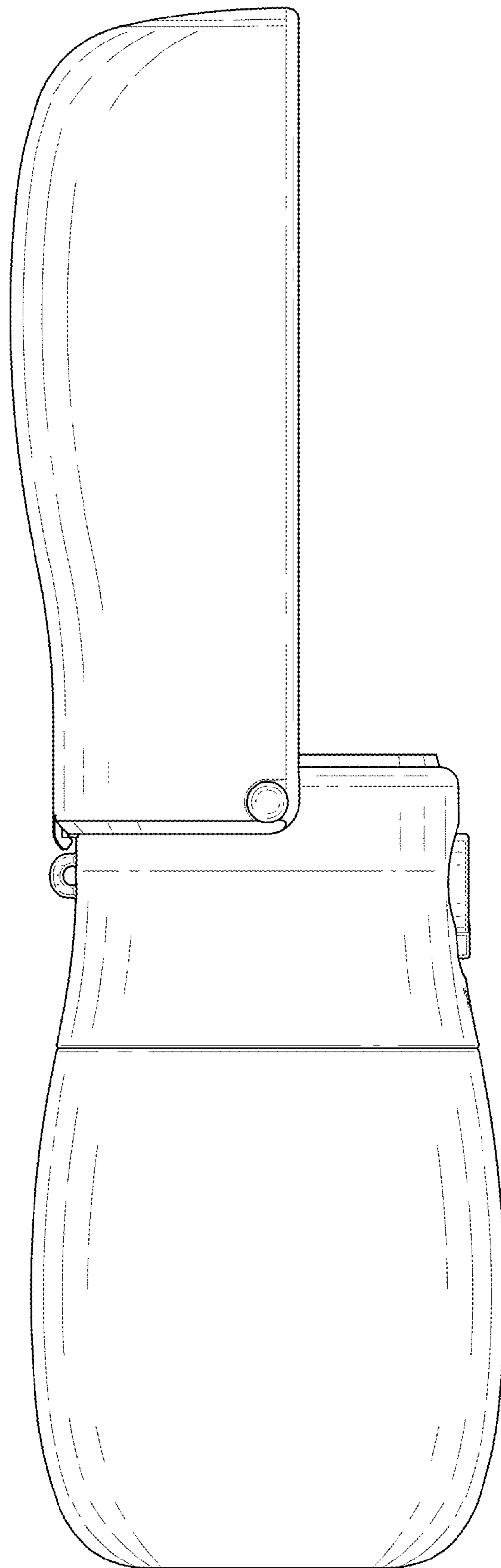


FIG. 3

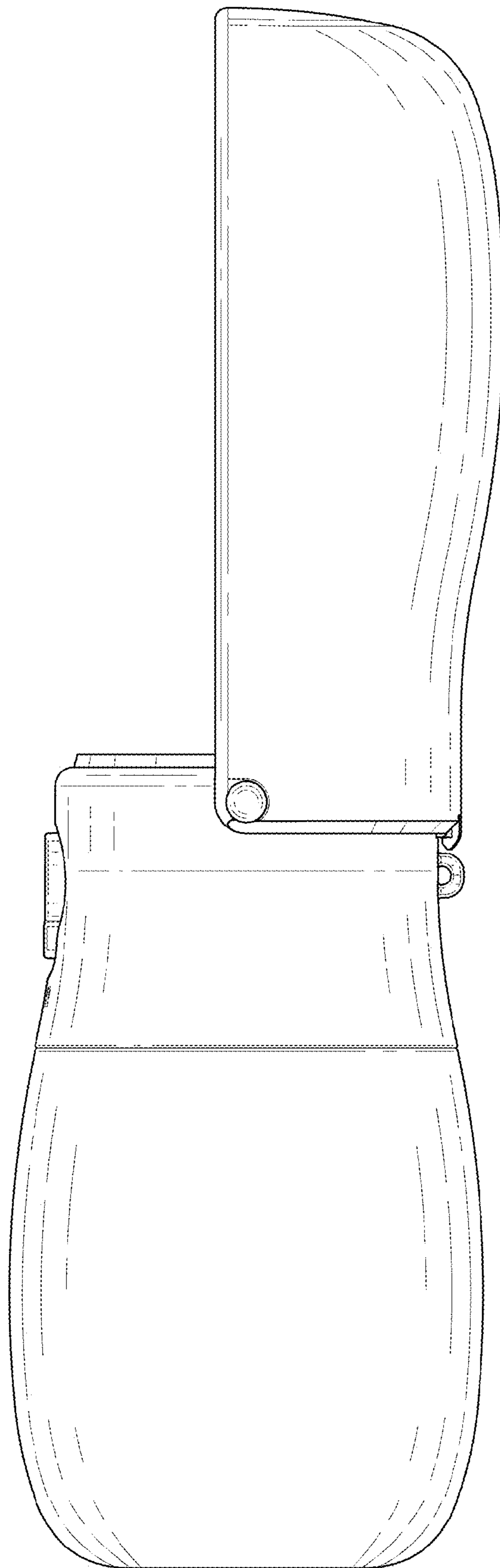


FIG. 4

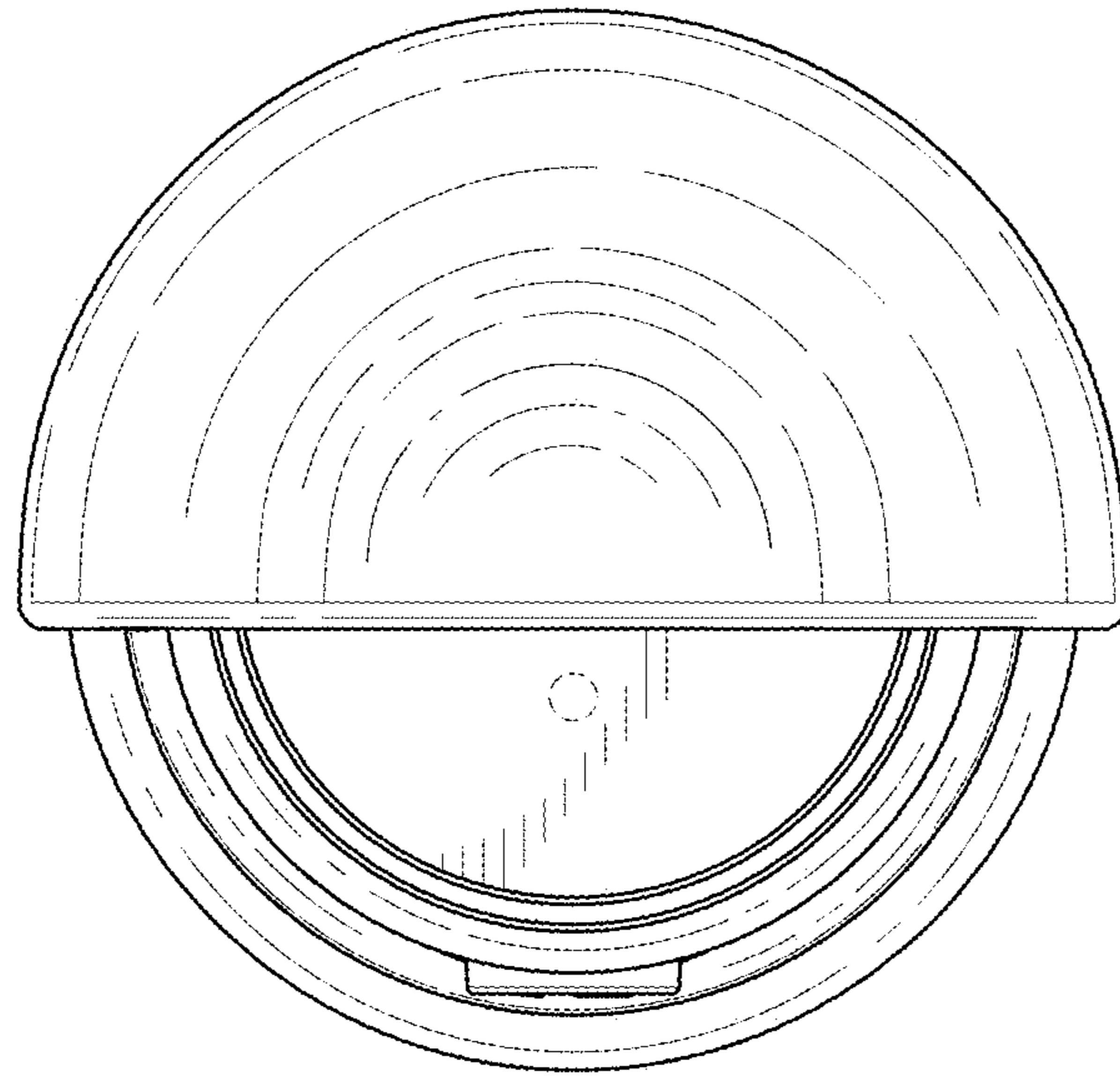


FIG. 5

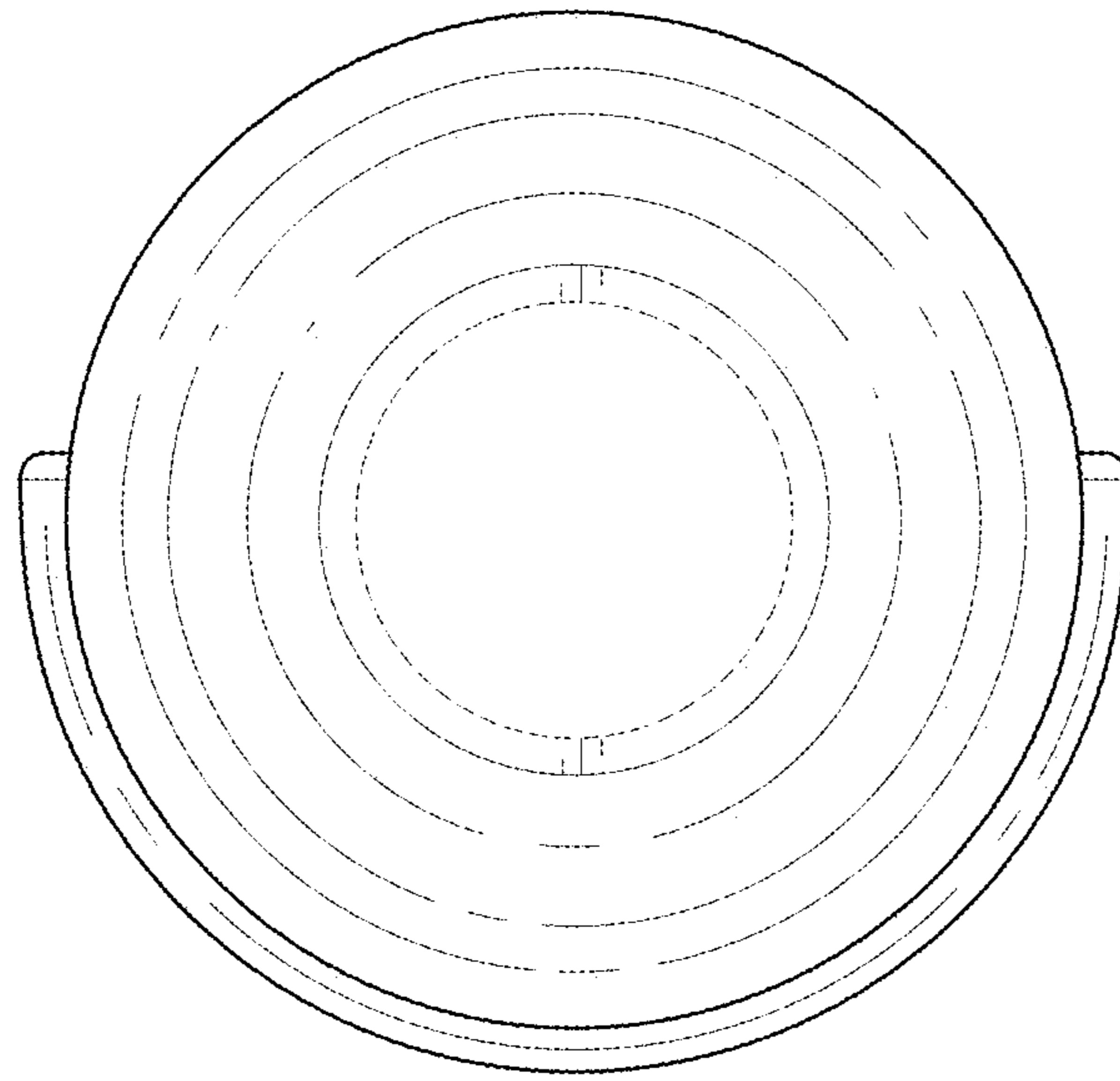


FIG. 6

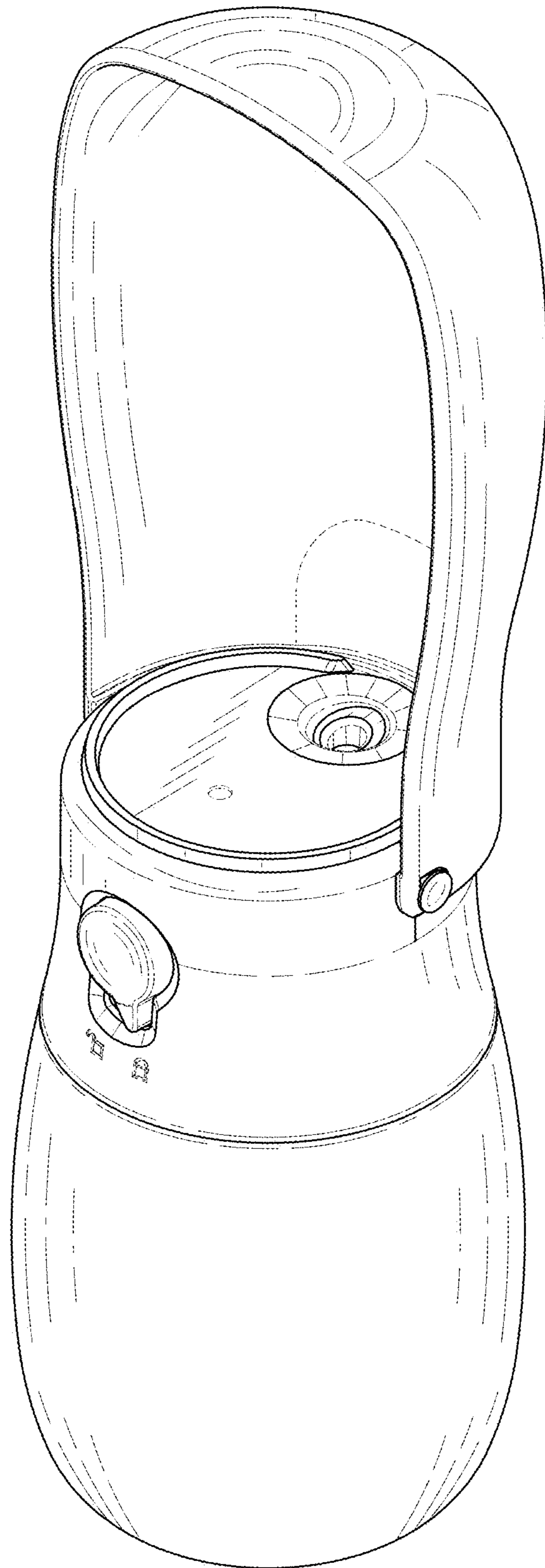


FIG. 7