



US00D971677S

(12) **United States Design Patent**
Hoekstra

(10) **Patent No.:** **US D971,677 S**
(45) **Date of Patent:** **** Dec. 6, 2022**

(54) **WAFFLE IRON**

(71) Applicant: **The Cookware Company Global Sourcing Limited**, Kowloon Bay (HK)

(72) Inventor: **Jan Hoekstra**, Ghent (BE)

(73) Assignee: **THE COOKWARE COMPANY GLOBAL SOURCING LIMITED**, Kowloon Bay (HK)

(**) Term: **15 Years**

(21) Appl. No.: **29/799,341**

(22) Filed: **Jul. 14, 2021**

(30) **Foreign Application Priority Data**

Jun. 14, 2021 (EM) 008561898-0001

(51) **LOC (13) Cl.** **07-02**

(52) **U.S. Cl.**
USPC **D7/410; D7/352; D7/362; D7/363**

(58) **Field of Classification Search**
USPC D7/323, 328-330, 337, 347, 352-364, D7/367, 402, 409-411
CPC . A21B 5/023; A47J 27/60; A47J 27/62; A47J 37/04; A47J 37/06; A47J 37/067; A47J 37/0605; A47J 37/0611; A47J 37/0623; A47J 37/0629; A47J 37/0676; A47J 2037/06; A47J 2037/0611; F24C 15/10; F24C 15/102; H05B 6/02; H05B 6/062
See application file for complete search history.

(56) **References Cited**

U.S. PATENT DOCUMENTS

- 6,427,581 B1 * 8/2002 Wu A47J 37/0611 99/332
- D527,941 S * 9/2006 Serra D7/352
- D546,619 S * 7/2007 McHutchison D7/352
- D589,294 S * 3/2009 Averty D7/356
- D622,538 S * 8/2010 Hoare D7/352

- D670,530 S * 11/2012 Huber D7/363
 - D817,695 S * 5/2018 Liu D7/352
 - D824,199 S * 7/2018 Liu D7/352
 - D853,172 S * 7/2019 De' Longhi D7/352
 - 10,682,010 B2 * 6/2020 Hoare A47J 37/0611
- (Continued)

OTHER PUBLICATIONS

Breville BWM620XL the Smart Waffle. Date First Available on Amazon.com Nov. 13, 2013. <https://www.amazon.com/dp/B00F5C1Q5Q/ref> (Year: 2013).*

Primary Examiner — Ricky Pham

(74) *Attorney, Agent, or Firm* — Fresh IP PLC; Clifford D. Hyra; Micah C. Gunn

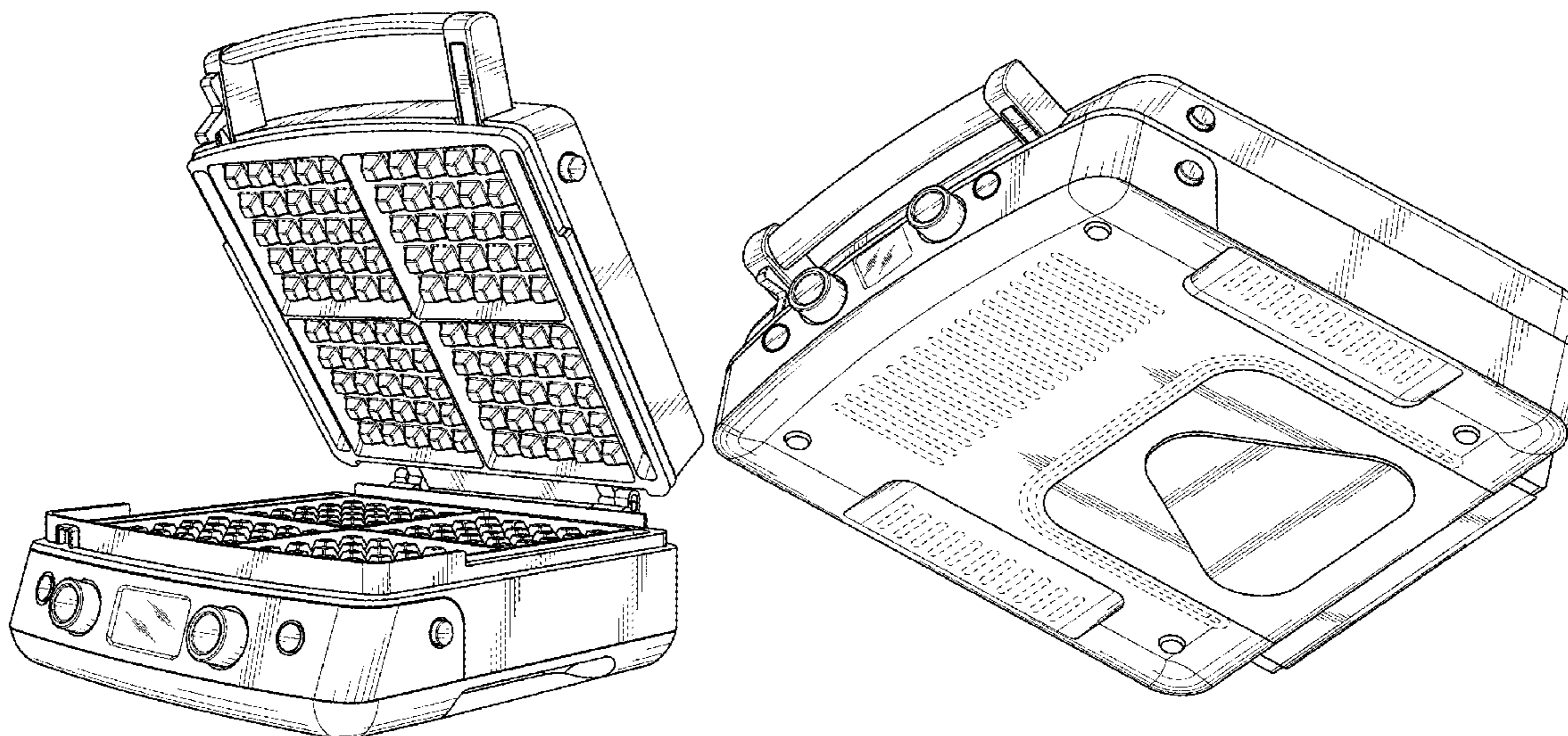
(57) **CLAIM**

The ornamental design for a waffle iron, as shown and described.

DESCRIPTION

FIG. 1 is a front, right perspective view of a waffle iron, in a position of use with the lid open;
 FIG. 2 is bottom, front, right perspective view thereof,
 FIG. 3 is front view thereof;
 FIG. 4 is a rear view thereof,
 FIG. 5 is a left side view thereof;
 FIG. 6 is a right side view thereof,
 FIG. 7 is a top view thereof,
 FIG. 8 is a bottom view thereof;
 FIG. 9 is a front view thereof, in a position of use with the lid open;
 FIG. 10 is a left side view thereof, in a position of use with the lid open; and,
 FIG. 11 is a right side view thereof, in a position of use with the lid open.
 The broken lines in the drawings are included for the purpose of illustrating subject matter that forms no part of the claimed design.

1 Claim, 9 Drawing Sheets



(56)

References Cited

U.S. PATENT DOCUMENTS

2006/0201333 A1* 9/2006 Friel, Sr. A47J 37/0611
99/372
2015/0230659 A1* 8/2015 Hoare A47J 37/0611
99/375

* cited by examiner

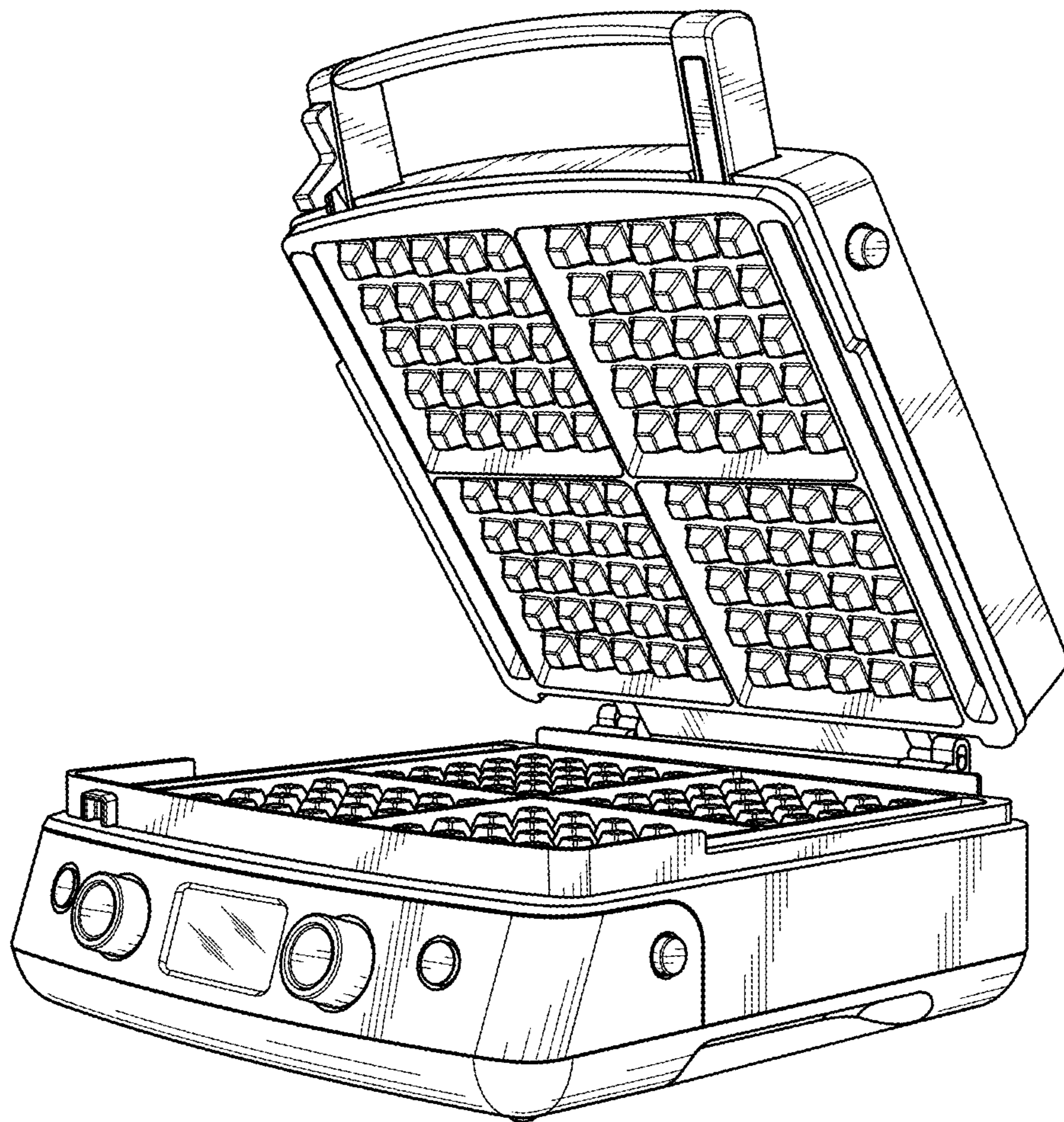


FIG. 1

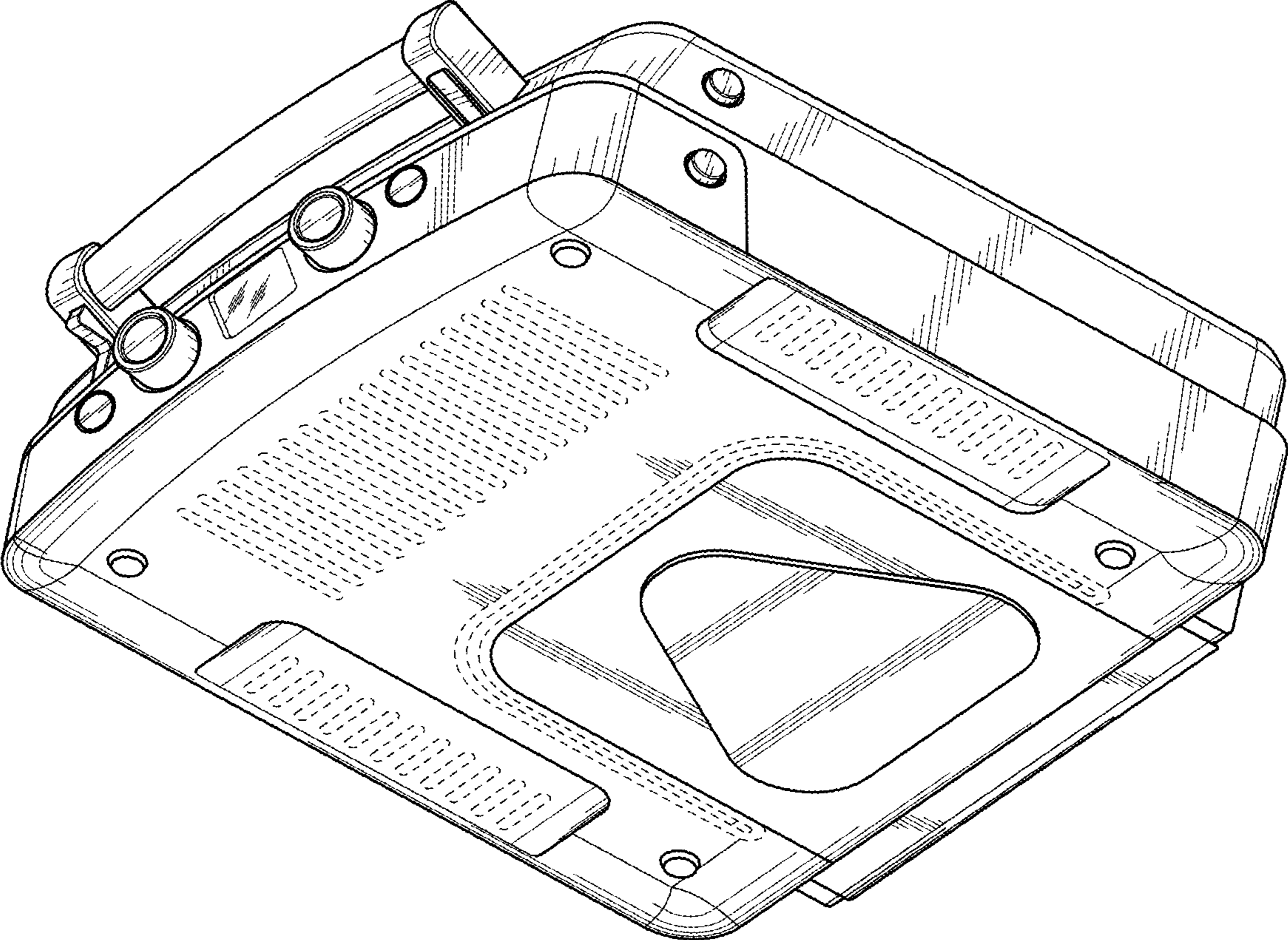


FIG. 2

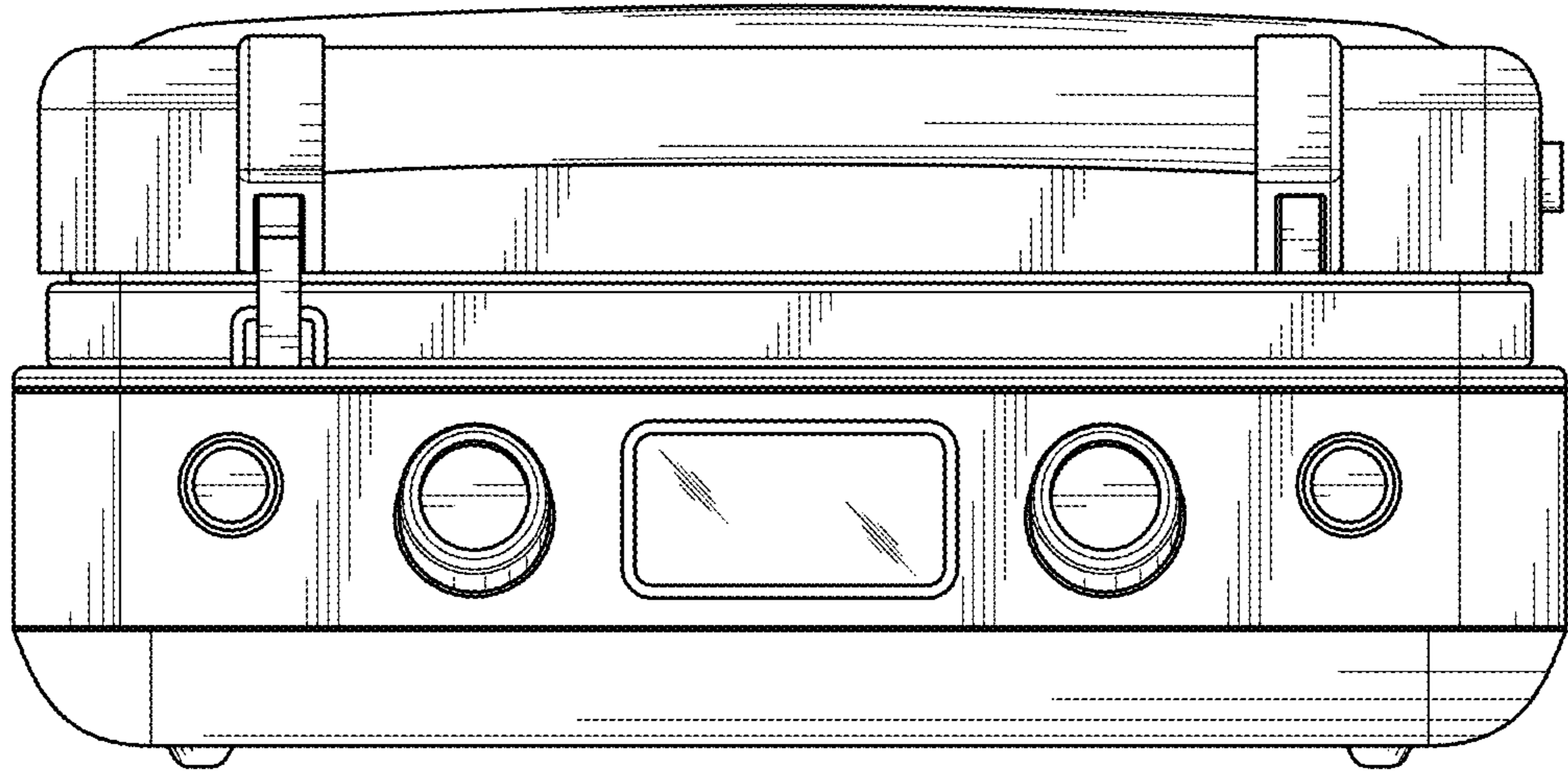


FIG. 3

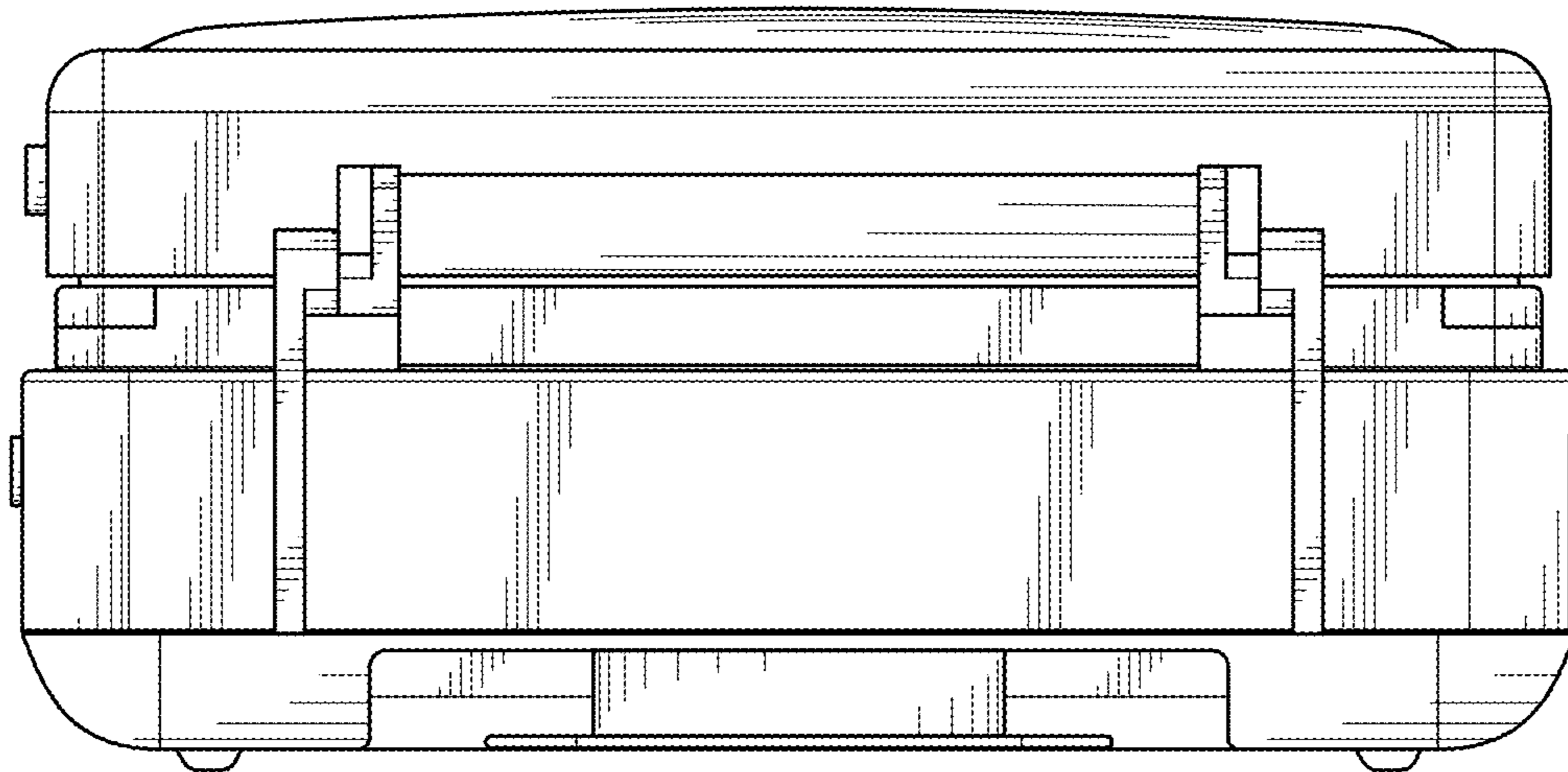


FIG. 4

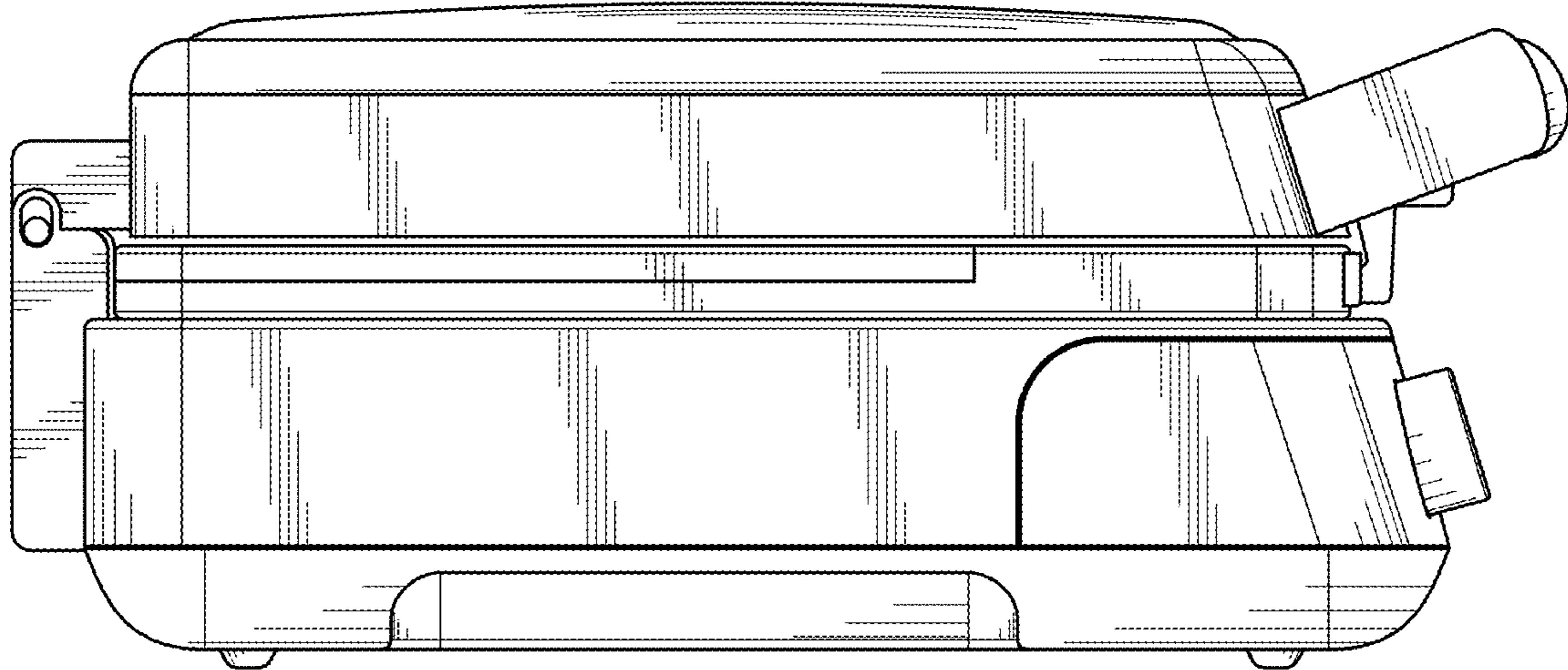


FIG. 5

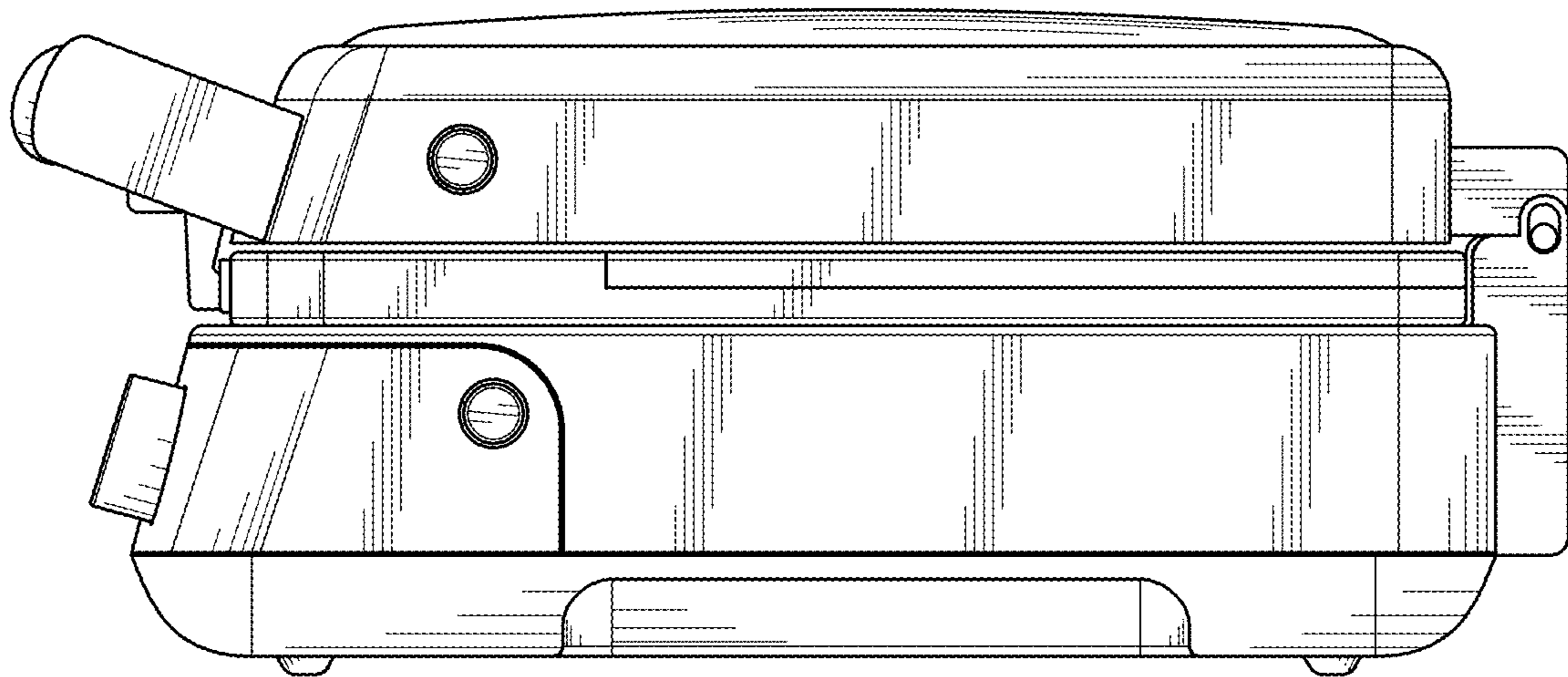


FIG. 6

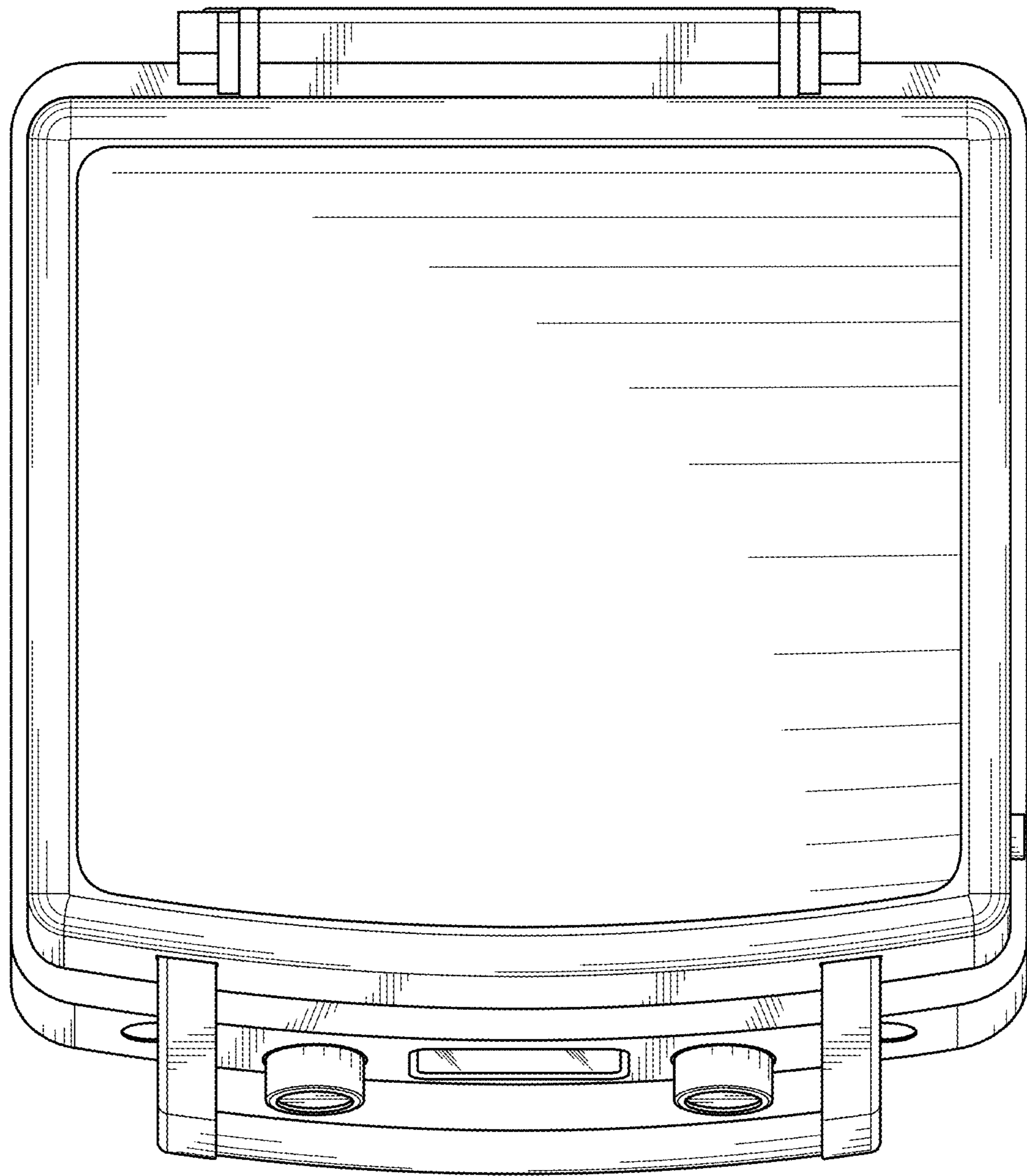


FIG. 7

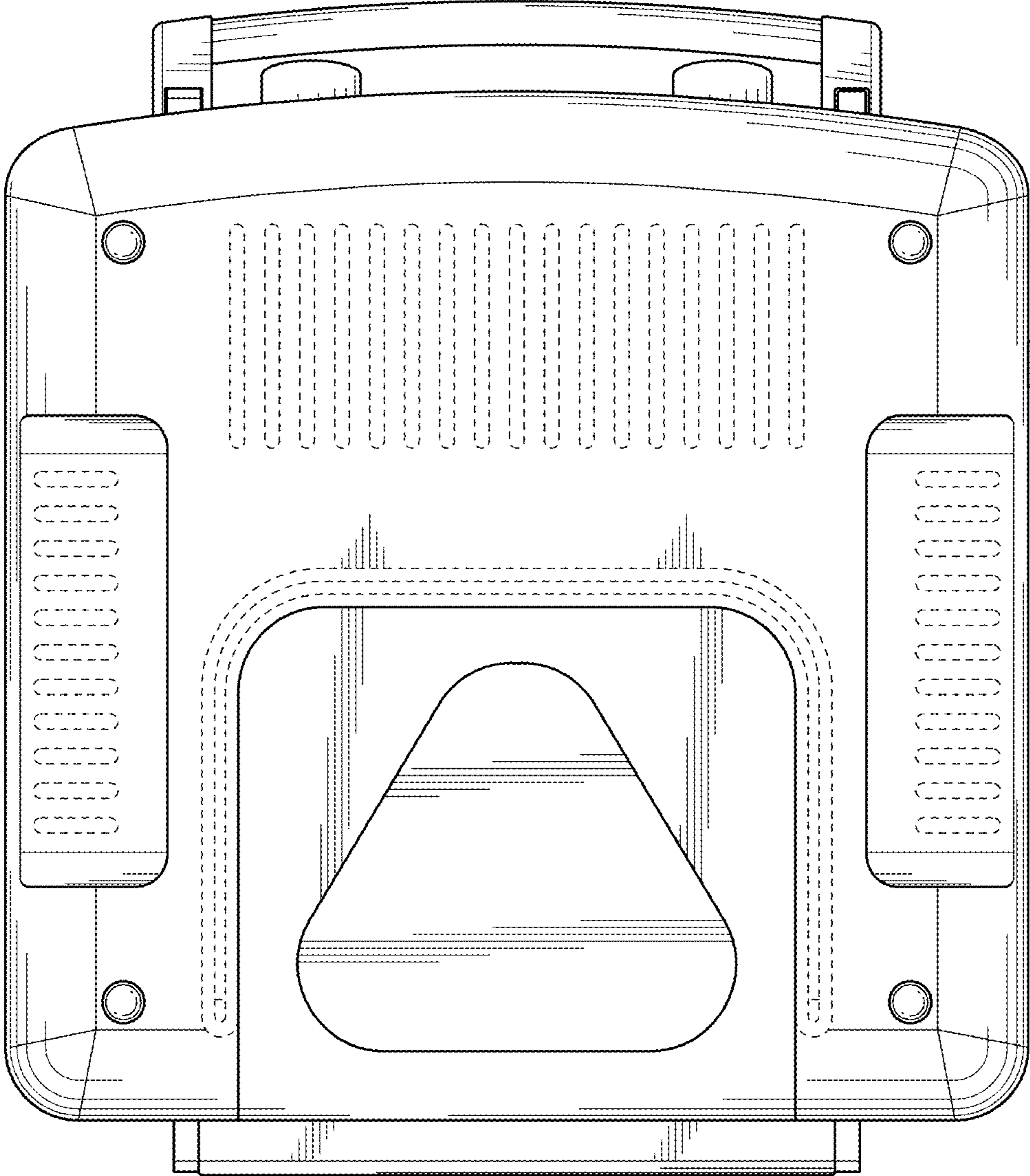


FIG. 8

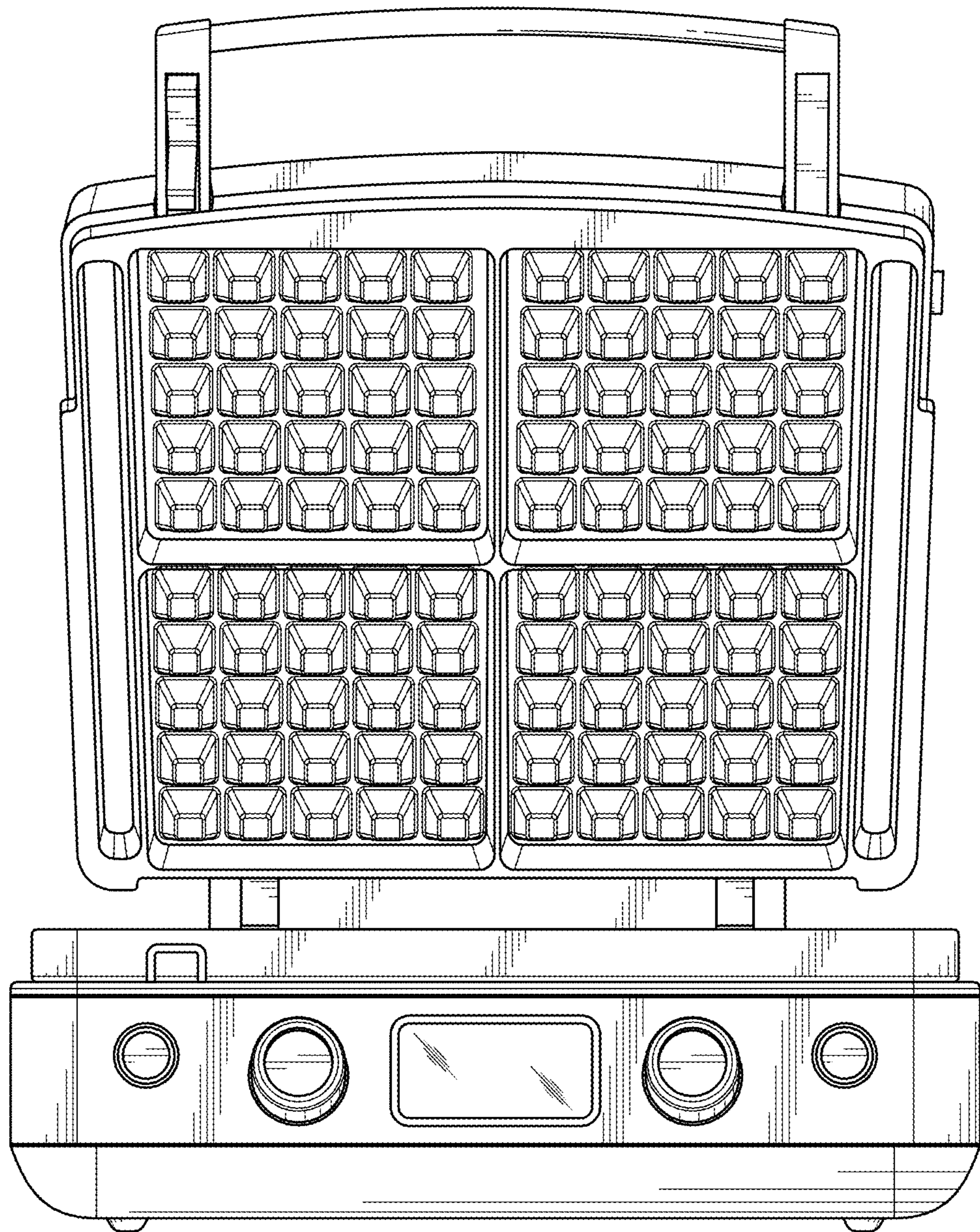


FIG. 9

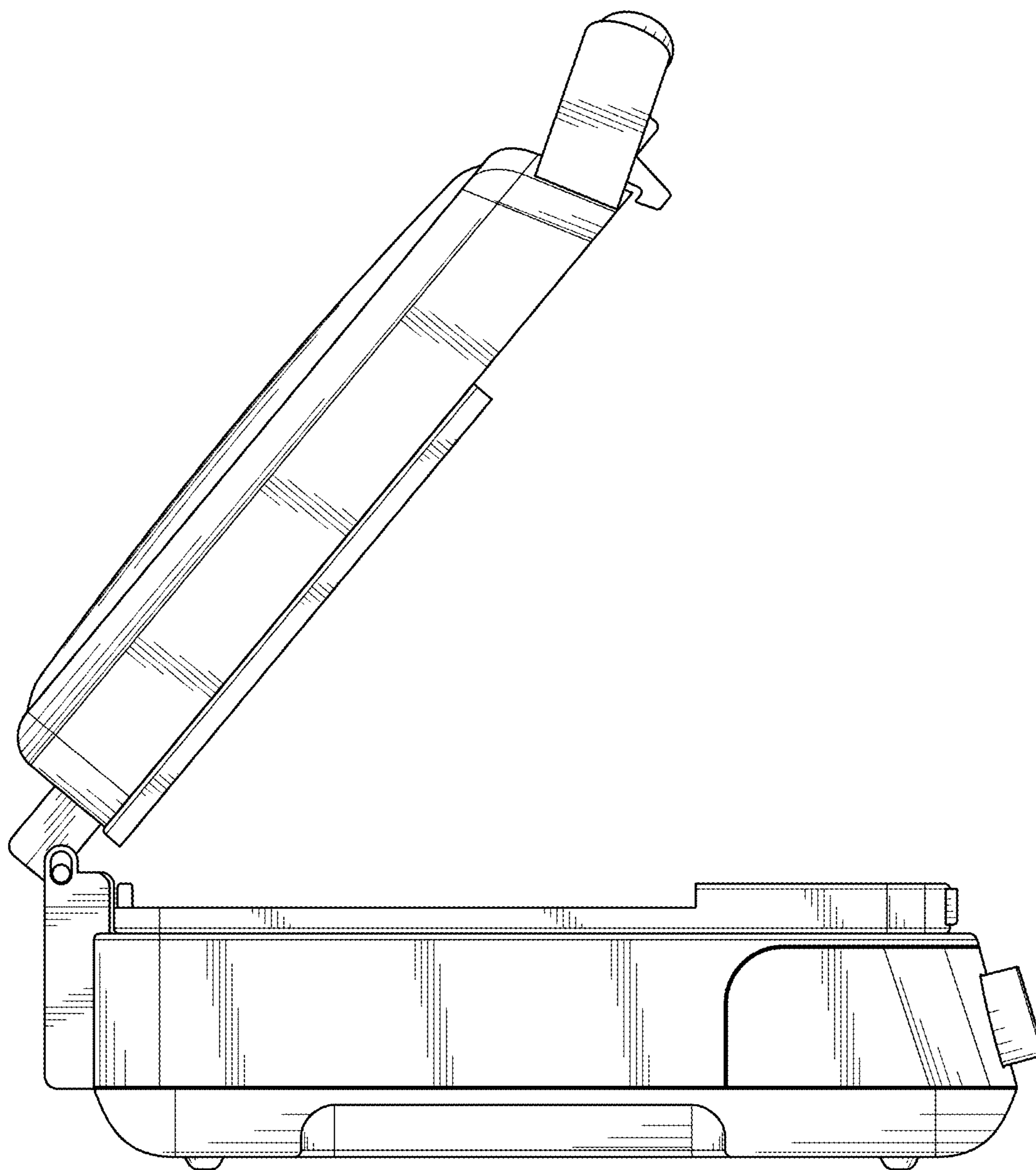


FIG. 10

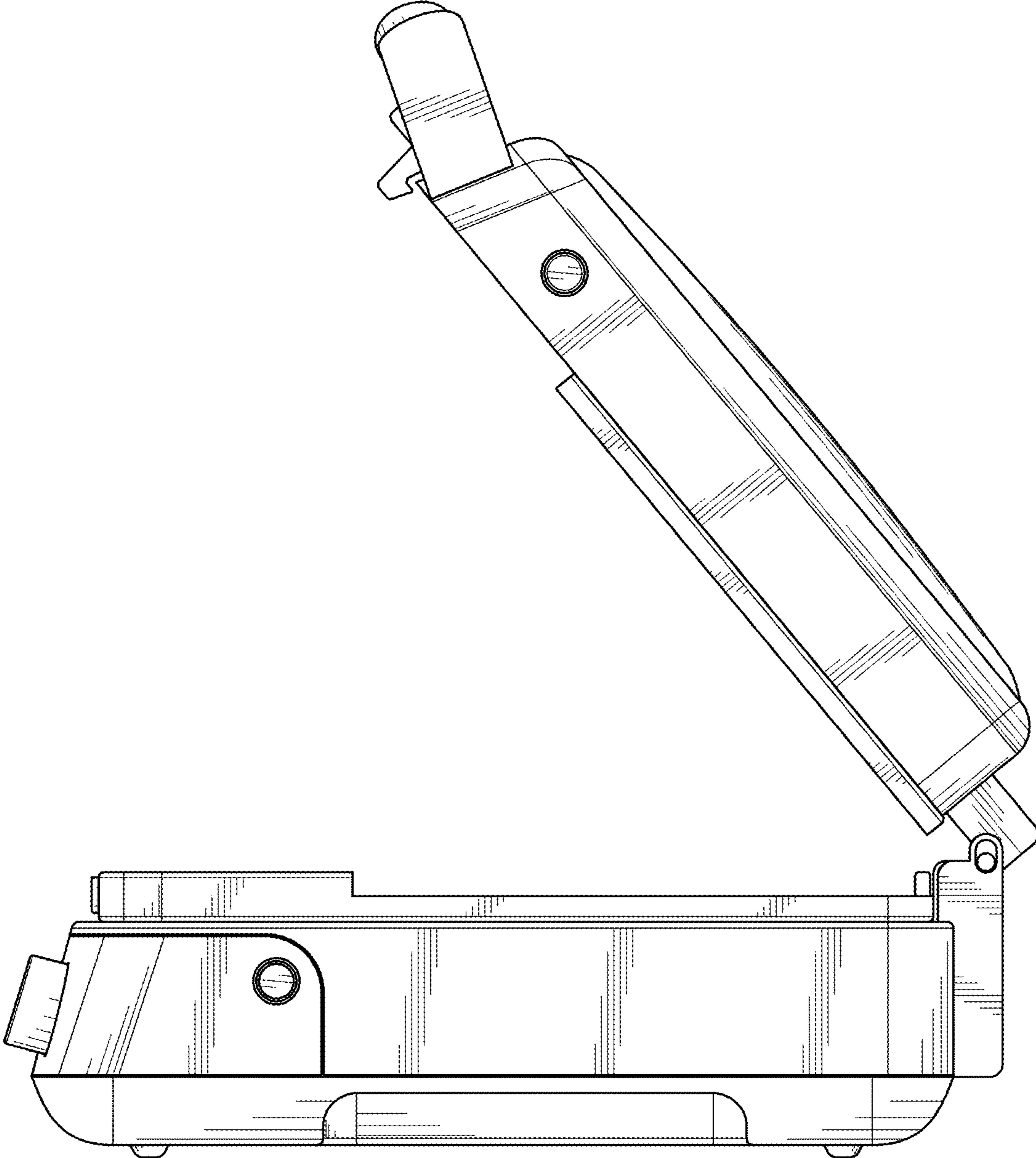


FIG. 11