



US00D971674S

(12) **United States Design Patent** (10) **Patent No.:** **US D971,674 S**
Mecker et al. (45) **Date of Patent:** **** Dec. 6, 2022**

(54) **GRILL** 6,439,222 B1 8/2002 Dixon et al.
D462,564 S * 9/2002 Brake A47J 37/0713
D7/334
(71) Applicant: **Weber-Stephen Products LLC,**
Palatine, IL (US) D471,755 S 3/2003 Wilgus et al.
D472,757 S 4/2003 Schulte et al.
(72) Inventors: **William Alexander Mecker,** Chicago,
IL (US); **Qian Hamel,** Palatine, IL (US) 6,951,213 B2 10/2005 Coleman et al.
D518,683 S 4/2006 Schroeter et al.
D525,072 S 7/2006 Wilgus et al.
D525,073 S 7/2006 Wilgus et al.
(73) Assignee: **WEBER-STEPHEN PRODUCTS**
LLC, Palatine, IL (US) D533,011 S * 12/2006 Pai D7/334
7,284,549 B1 10/2007 Eby et al.
(Continued)

(**) Term: **15 Years**

FOREIGN PATENT DOCUMENTS

(21) Appl. No.: **29/771,868**

DE 202018103566 8/2018

(22) Filed: **Feb. 25, 2021**

OTHER PUBLICATIONS

Related U.S. Application Data

Weber, "Genesis® II E-315 Gas Grill," 2020, 6 pages.

(63) Continuation of application No. 29/720,241, filed on
Jan. 10, 2020, now Pat. No. Des. 914,430.

(Continued)

(51) **LOC (13) Cl.** **07-02**

Primary Examiner — Mary Ann Calabrese

(52) **U.S. Cl.**

Assistant Examiner — Natalya M Rapundalo

USPC **D7/402; D7/334**

(74) *Attorney, Agent, or Firm* — Hanley, Flight &

(58) **Field of Classification Search**

Zimmerman, LLC

USPC D7/323, 332-339, 387, 402-406, 408,
D7/409; D21/523, 524; D23/335, 337,
D23/339, 343, 345

(57) **CLAIM**

The ornamental design for grill, as shown and described.

CPC A47J 37/00; A47J 37/06; A47J 37/0647;
A47J 37/0658; A47J 37/07-0754; A47J
37/0763; A47J 37/0781; A47J 37/0786;
A47J 2037/0777; A47J 2037/0795

DESCRIPTION

See application file for complete search history.

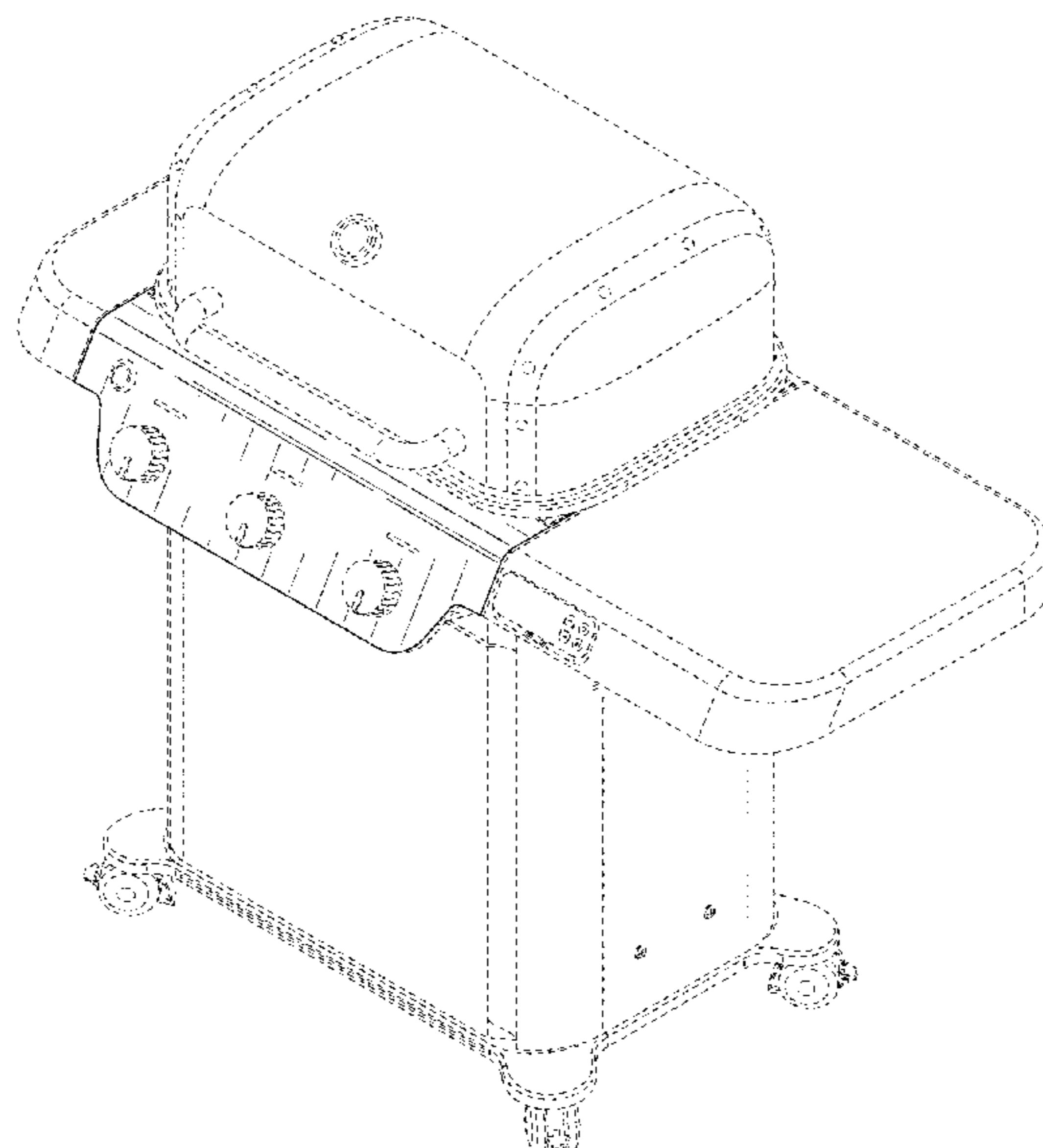
FIG. 1 is a front perspective view of a grill.
FIG. 2 is a front view of the grill of FIG. 1.
FIG. 3 is a rear view of the grill of FIG. 1.
FIG. 4 is a right side view of the grill of FIG. 1.
FIG. 5 is a left side view of the grill of FIG. 1.
FIG. 6 is a top view of the grill of FIG. 1; and,
FIG. 7 is a bottom view of the grill of FIG. 1.
The features shown in broken lines represent portions of the
grill and form no part of the claimed design.

(56) **References Cited**

U.S. PATENT DOCUMENTS

4,677,964 A 7/1987 Lohmeyer et al.
D316,355 S 4/1991 Stephen et al.
5,070,776 A 12/1991 Schlosser et al.
5,086,753 A 2/1992 Berger
D404,963 S 2/1999 Schlosser et al.

1 Claim, 6 Drawing Sheets



(56)

References Cited

OTHER PUBLICATIONS

U.S. PATENT DOCUMENTS

D562,619 S 2/2008 Henley et al.
 D562,628 S 2/2008 Henley et al.
 D568,670 S * 5/2008 Proffitt D7/334
 D571,605 S * 6/2008 Chung D7/334
 7,798,139 B2 9/2010 Gagas et al.
 D660,074 S * 5/2012 Chung D7/334
 D662,347 S * 6/2012 May D7/334
 D679,937 S * 4/2013 Chung D7/334
 D688,517 S 8/2013 Eilgus
 D709,725 S * 7/2014 Golsch D7/334
 D722,810 S * 2/2015 Chung D7/334
 D726,491 S 4/2015 Witzel et al.
 9,211,036 B2 12/2015 May et al.
 D809,847 S 2/2018 Liu
 9,949,594 B2 4/2018 May et al.
 D816,385 S * 5/2018 Lira-Nunez D7/334
 10,143,336 B2 12/2018 Liu
 D890,570 S * 7/2020 Lira-Nunez D7/403
 D914,430 S * 3/2021 Mecker D7/334
 D923,383 S * 6/2021 Boltz D7/334
 2008/0006259 A1 1/2008 Eby et al.
 2008/0245357 A1 10/2008 Meether et al.
 2009/0000493 A1 1/2009 Mosher, II
 2009/0145421 A1 6/2009 Yufer
 2012/0255537 A1 10/2012 Kanwar
 2014/0053823 A1 2/2014 Frantz
 2017/0143162 A1 5/2017 Olsen
 2017/0159941 A1 6/2017 Kahler et al.
 2018/0220843 A1 8/2018 Bucklew et al.
 2018/0310765 A1 11/2018 May et al.
 2021/0215344 A1 * 7/2021 Eckhardt A47J 37/0713

Weber, "Spirit II E-210 Gas Grill," 2020, 5 pages.
 Weber, "Spirit II E-310 Gas Grill," 2020, 5 pages.
 Weber, "Spirit II E-330 Gas Grill," 2020, 5 pages.
 Weber, "Summit® II E-470 Gas Grill," 2020, 6 pages.
 United States Patent and Trademark Office, "Ex Parte Quayle Action," issued in connection with U.S. Appl. No. 29/720,241, dated Dec. 18, 2020, 5 pages.
 United States Patent and Trademark Office, "Notice of Allowance and Fee(s) Due," issued in connection with U.S. Appl. No. 29/720,241, dated Jan. 25, 2021, 7 pages.
 China National Intellectual Property Administration, "Notice of Decision of Grant," issued in connection with Chinese Patent Application No. 202030265625.7, dated Sep. 7, 2020, 4 pages.
 IP Australia, "Certificate of Registration," issued in connection with Australian Design No. 202013046, dated Jul. 9, 2020, 8 pages.
 European Union Intellectual Property Office, "Certificate of Registration," issued in connection with European Community Design Registration No. 008019889-0001, 5 pages.
 IP Australia, "Notification of Correction to the Register," issued in connection with Australian Design No. 202013046, dated Jan. 7, 2021, 9 pages.
 IP Australia, "Certificate of Examination," issued in connection with Australian Patent Application No. 202013046, dated Dec. 8, 2020, 2 pages.
 Canadian Intellectual Property Office, "Notice of Registration," issued in connection with Canadian Patent Application No. 196136, dated Oct. 26, 2021, 10 pages.
 China National Intellectual Property Administration, "Certificate of Patent" issued in connection with Chinese Patent Application No. 202030265625.7, dated Oct. 16, 2020, 3 pages.

* cited by examiner

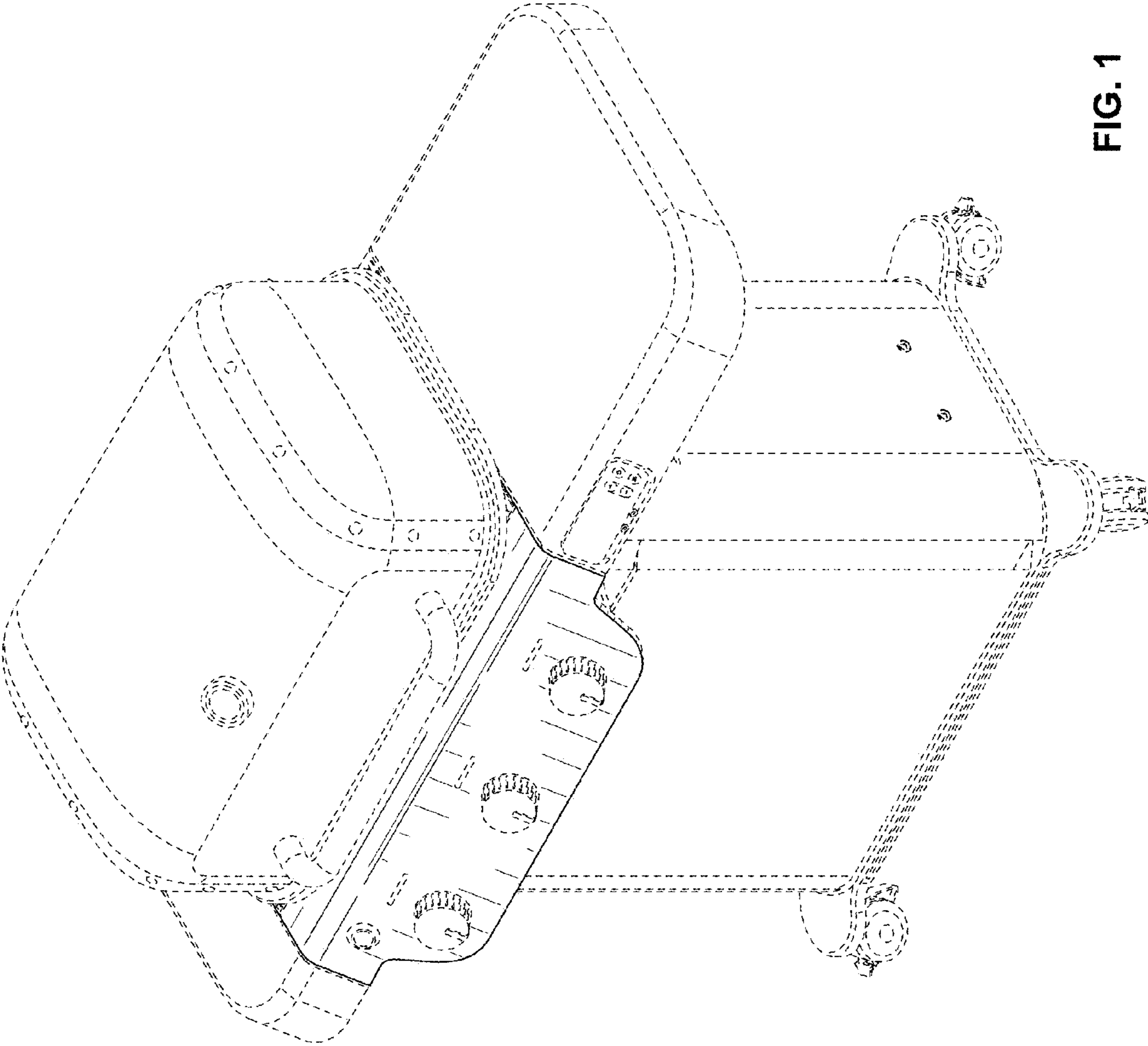


FIG. 1

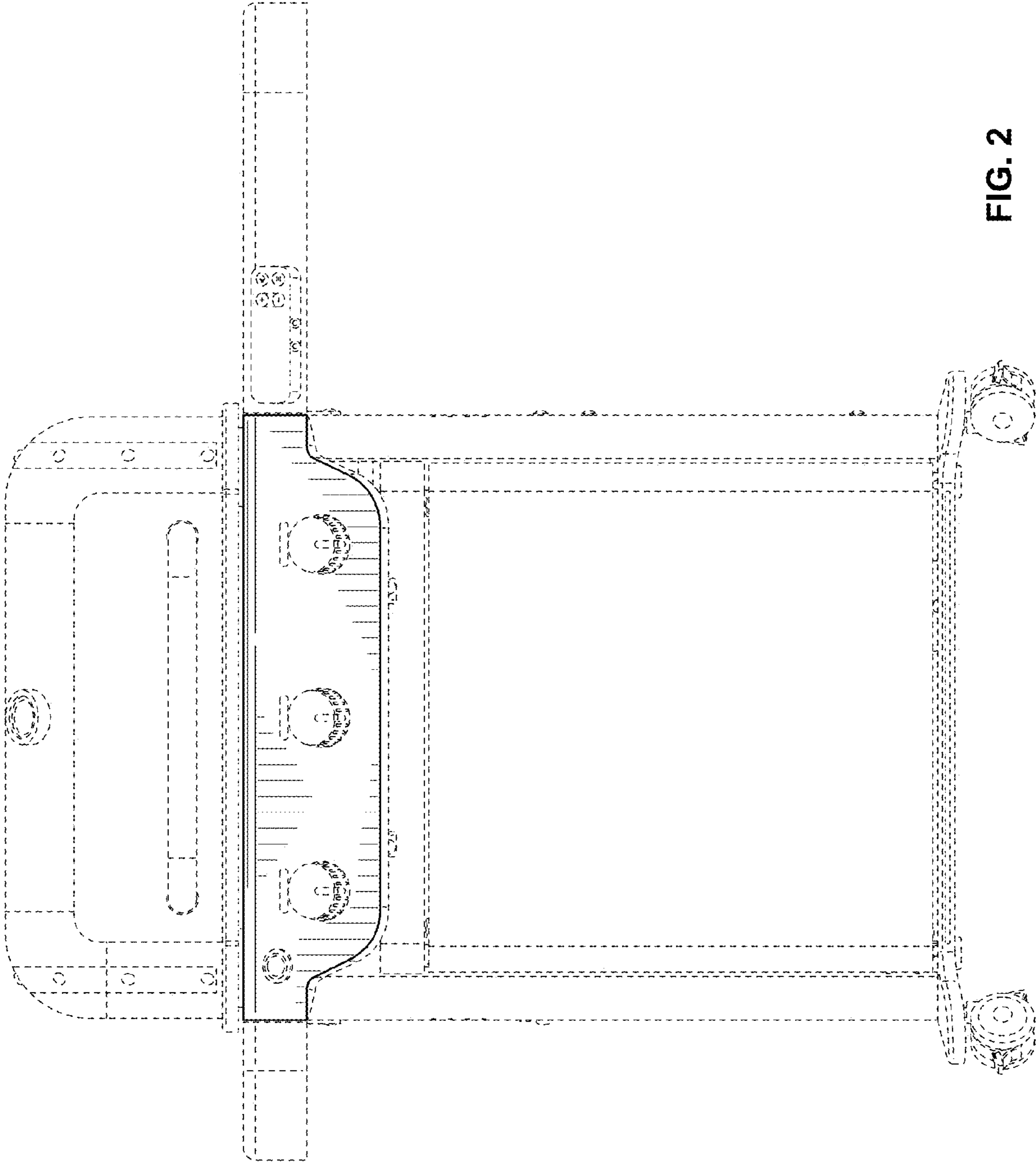


FIG. 2

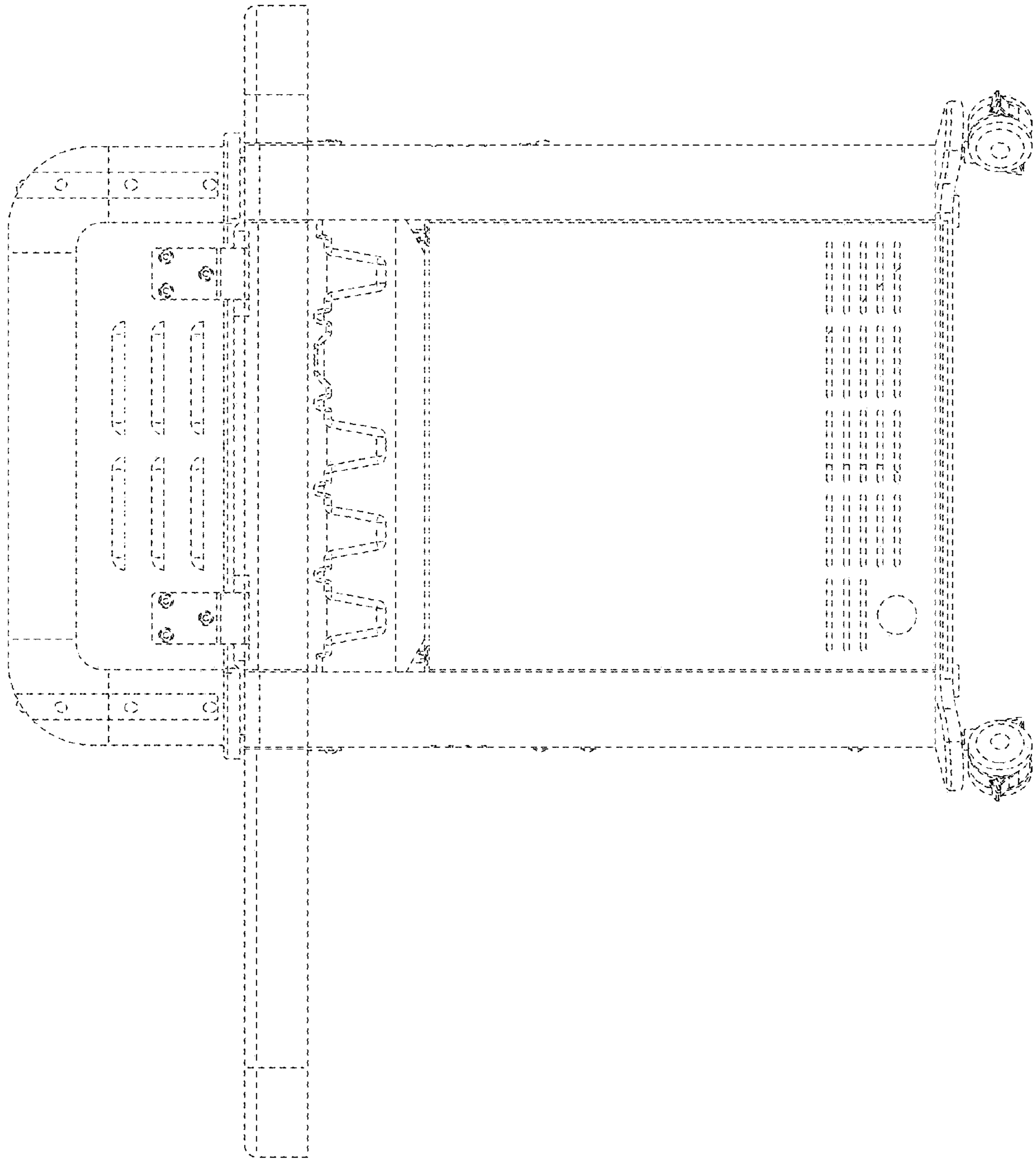


FIG. 3

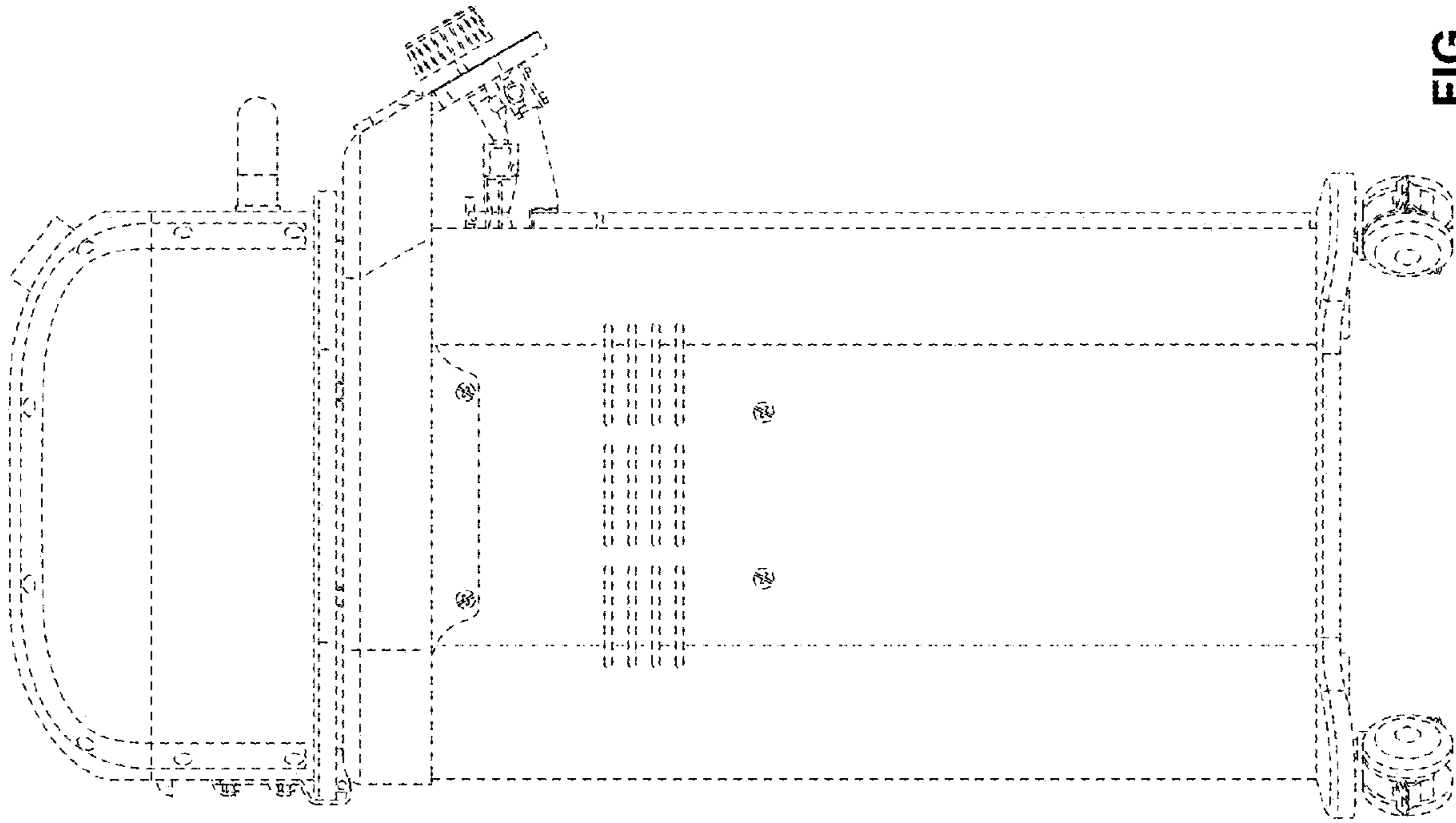


FIG. 5

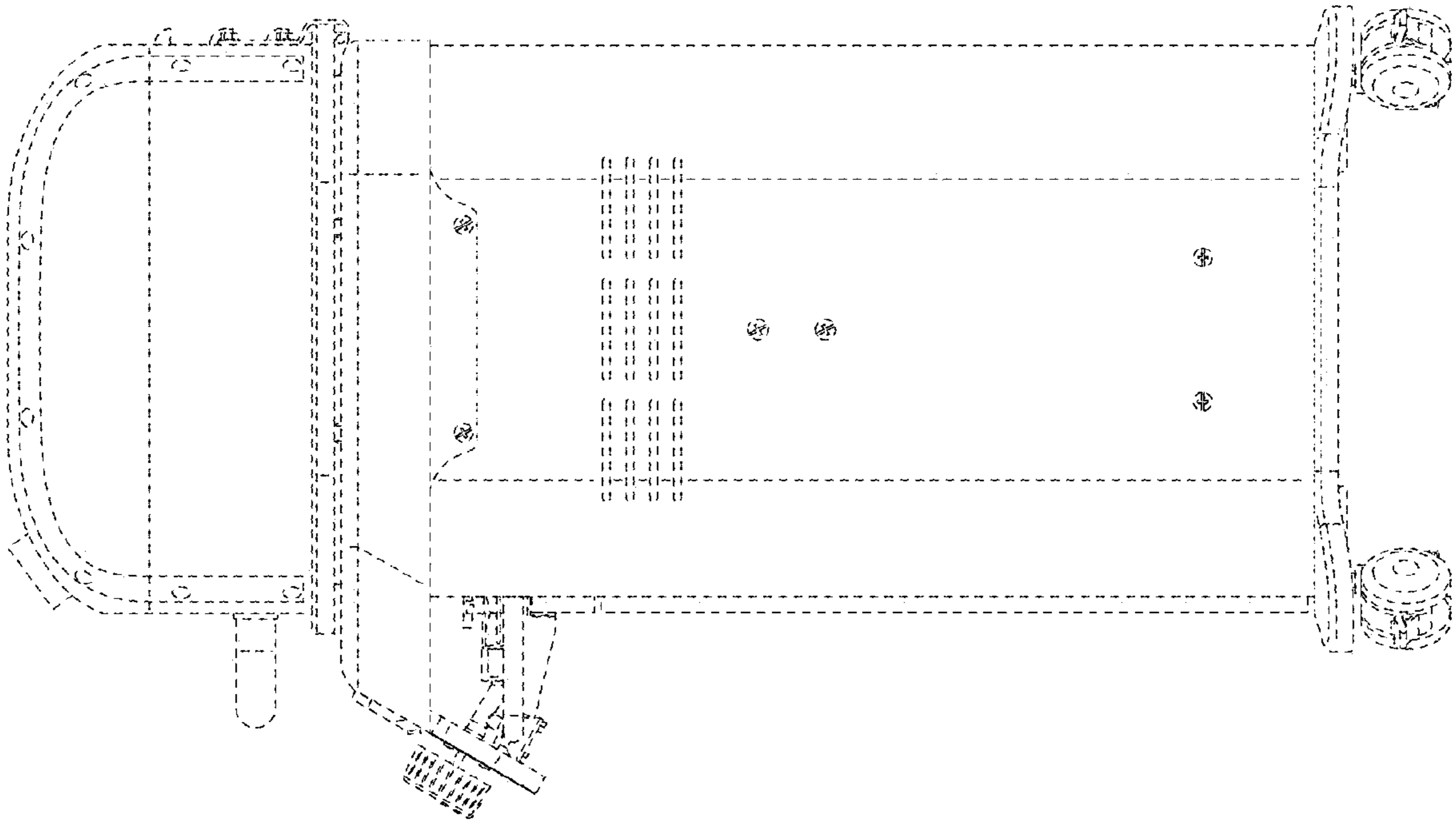


FIG. 4

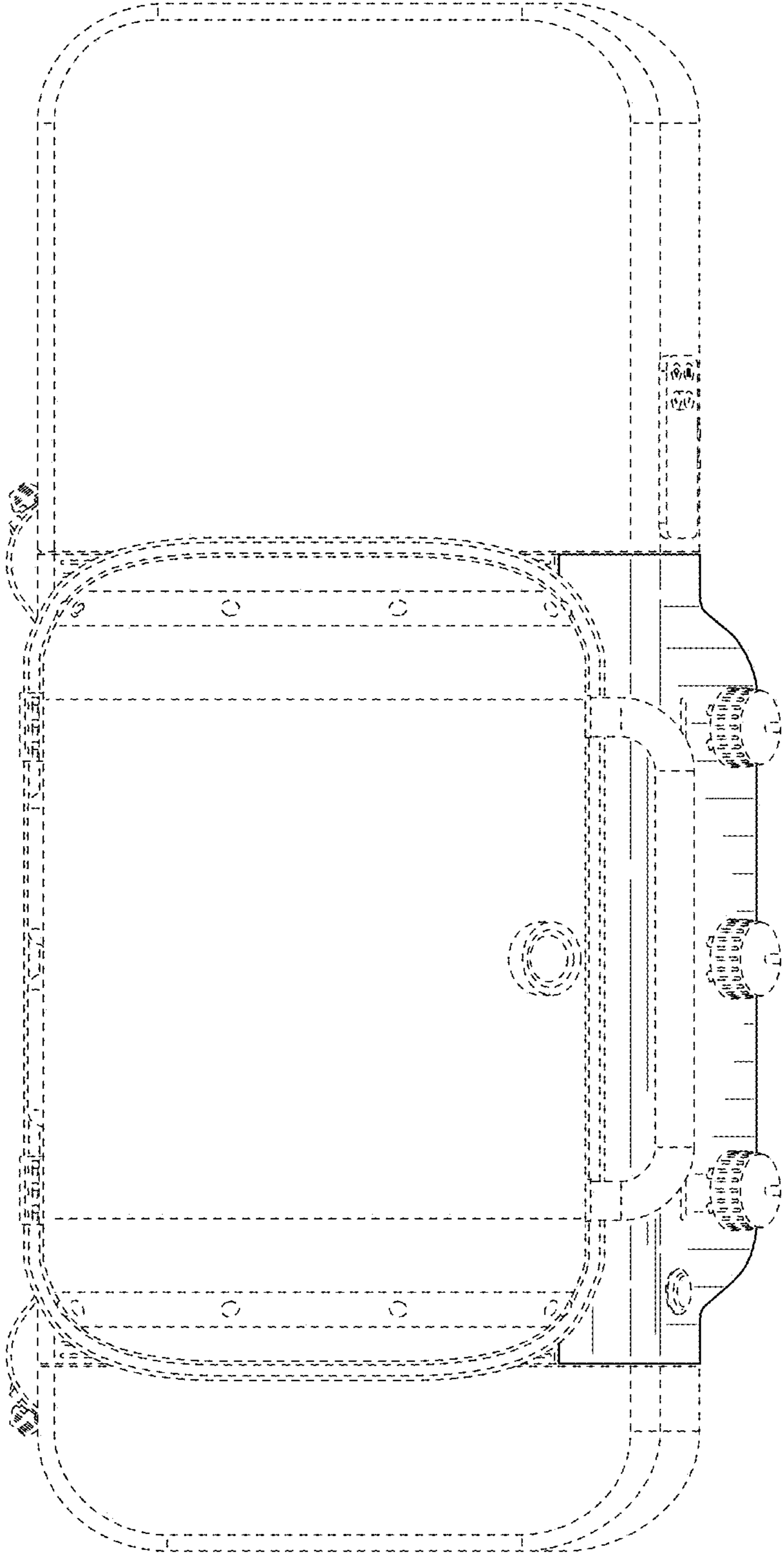


FIG. 6

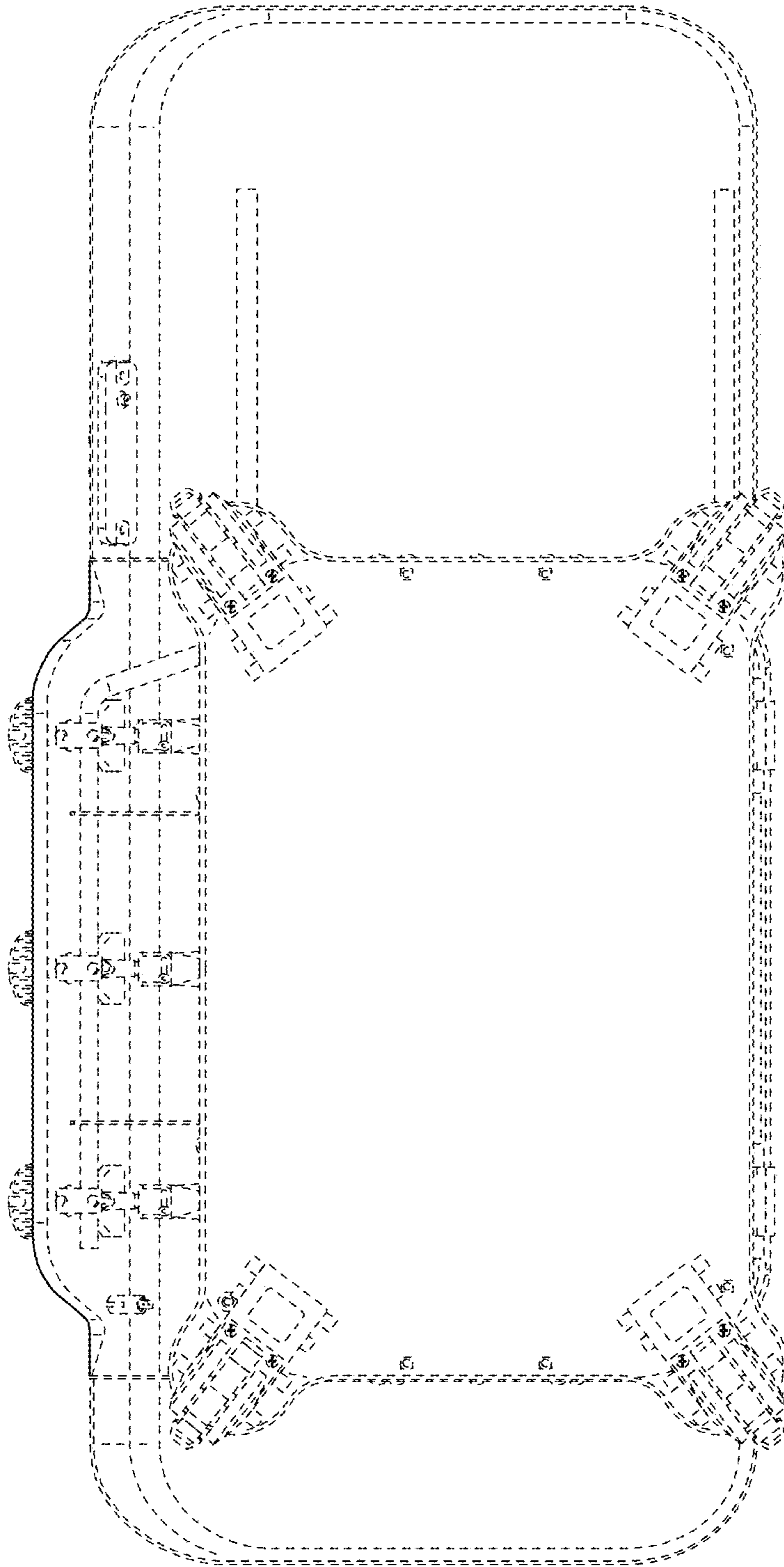


FIG. 7