



US00D971673S

(12) **United States Design Patent**  
**Schabel**

(10) **Patent No.:** **US D971,673 S**

(45) **Date of Patent:** **\*\* Dec. 6, 2022**

(54) **POUR-OVER COFFEE BREWER**

(71) Applicant: **Conner Lorenz Schabel**, Dawson, MN (US)

(72) Inventor: **Conner Lorenz Schabel**, Dawson, MN (US)

(\*\*) Term: **15 Years**

(21) Appl. No.: **29/782,481**

(22) Filed: **May 6, 2021**

(51) **LOC (13) Cl.** ..... **07-06**

(52) **U.S. Cl.**  
USPC ..... **D7/400**

(58) **Field of Classification Search**  
USPC ..... D7/302, 303, 309, 316, 317, 318, 319, D7/320, 321, 392, 399, 400  
CPC ..... A47G 19/145; A47G 19/14; A47J 31/02; A47J 31/446; A47J 31/06; A47J 31/08; A47J 31/043; A47J 31/053; A47J 31/04; A47J 31/24; A47J 31/00; A47J 31/0657; A47J 31/0689; A47J 27/21; A47J 31/54; A47J 31/605; A47J 27/21183; A47J 31/10; B01D 23/28; B31D 1/0006; B65D 2581/3409

See application file for complete search history.

D524,599 S \* 7/2006 Bodum ..... D7/400  
D564,832 S \* 3/2008 Bodum ..... D7/400  
D580,696 S \* 11/2008 Bodum ..... D7/316  
D585,233 S \* 1/2009 Bodum ..... D7/319  
D642,433 S \* 8/2011 Tuan ..... D7/400  
D791,535 S \* 7/2017 Yeh ..... D7/400  
D797,501 S \* 9/2017 Thurlow ..... D7/400  
D809,338 S \* 2/2018 Mikami ..... D7/400  
D847,564 S \* 5/2019 Best ..... D7/400  
D873,607 S \* 1/2020 Day, Jr. .... D7/400  
D911,105 S \* 2/2021 Park ..... D7/400  
D915,135 S \* 4/2021 Lin ..... D7/400  
2011/0005400 A1\* 1/2011 Tien ..... A47J 31/02  
99/298  
2018/0116441 A1\* 5/2018 Kuempel ..... A47J 31/02  
2019/0191914 A1\* 6/2019 Schillheim ..... A47J 31/0626

\* cited by examiner

*Primary Examiner* — Joseph Kukella  
*Assistant Examiner* — Darryl J Dardenne  
(74) *Attorney, Agent, or Firm* — Christopher Mayle; Bold IP, PLLC

(57) **CLAIM**

The ornamental design for a pour-over coffee brewer, as shown.

**DESCRIPTION**

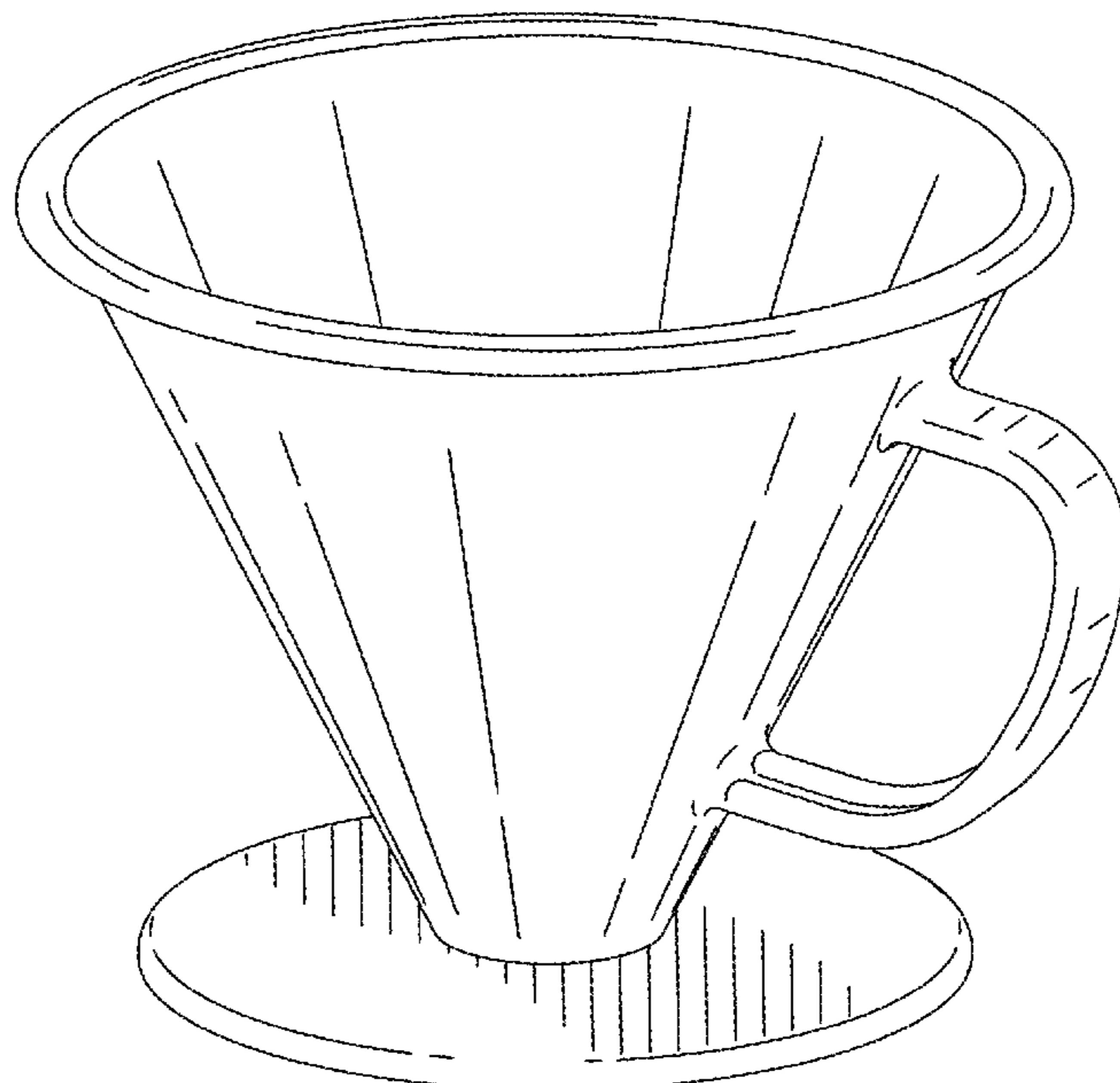
FIG. 1 is a front perspective view of a pour-over coffee brewer in accordance with the present invention;  
FIG. 2 is a front view thereof;  
FIG. 3 is a back view thereof;  
FIG. 4 is a left view thereof;  
FIG. 5 is a right view thereof;  
FIG. 6 is a top view thereof;  
FIG. 7 is a bottom view thereof; and,  
FIG. 8 is a bottom perspective view thereof.

**1 Claim, 8 Drawing Sheets**

(56) **References Cited**

U.S. PATENT DOCUMENTS

D203,854 S \* 2/1966 Douglas ..... D7/400  
D255,536 S \* 6/1980 Bowen ..... D7/325  
4,895,656 A \* 1/1990 Smit ..... A47J 31/0605  
222/441  
5,664,480 A \* 9/1997 DiFilippo ..... A47J 31/0605  
99/299  
D521,329 S \* 5/2006 Bodum ..... A47J 31/0605  
D7/400



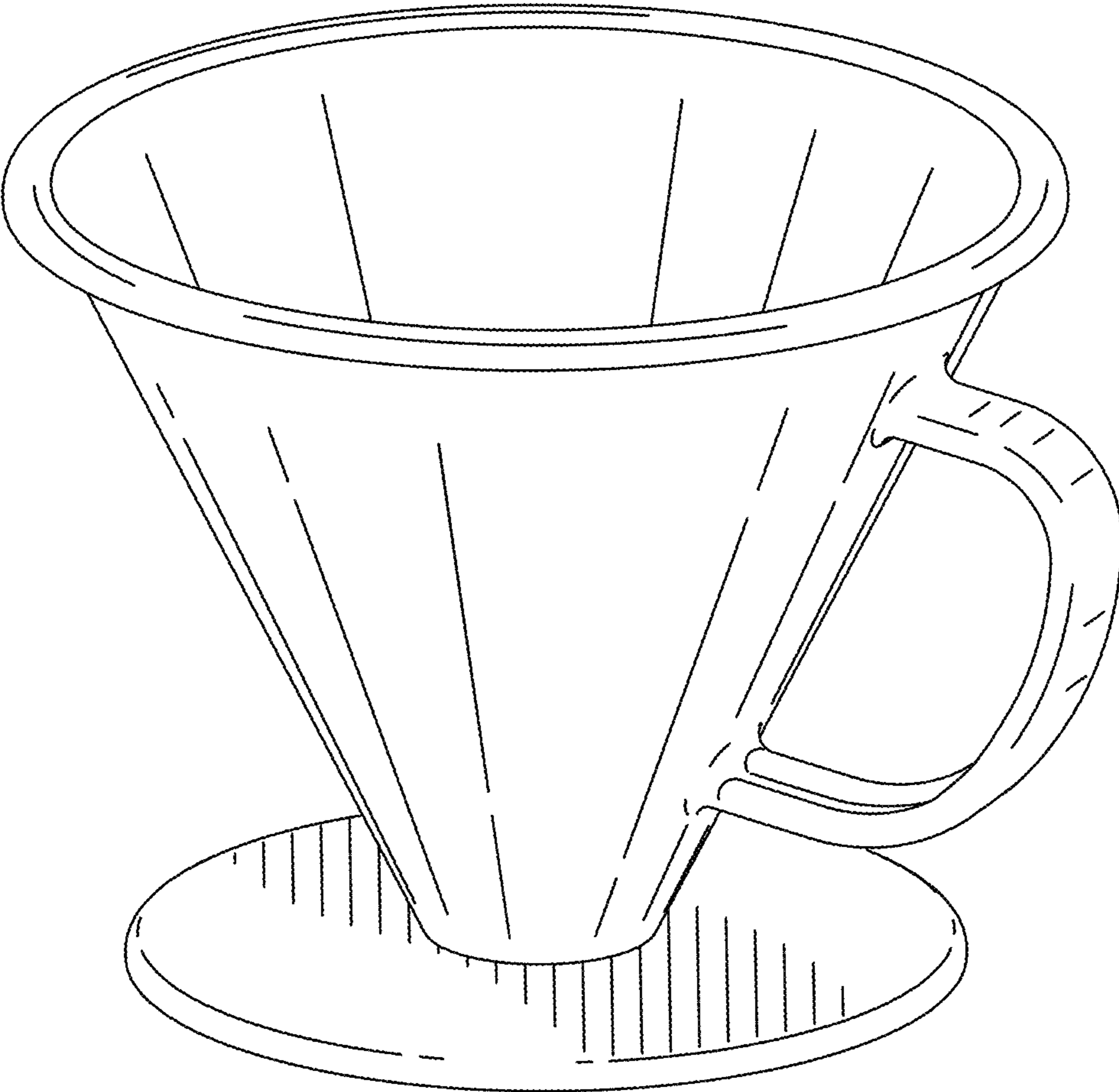


FIG. 1

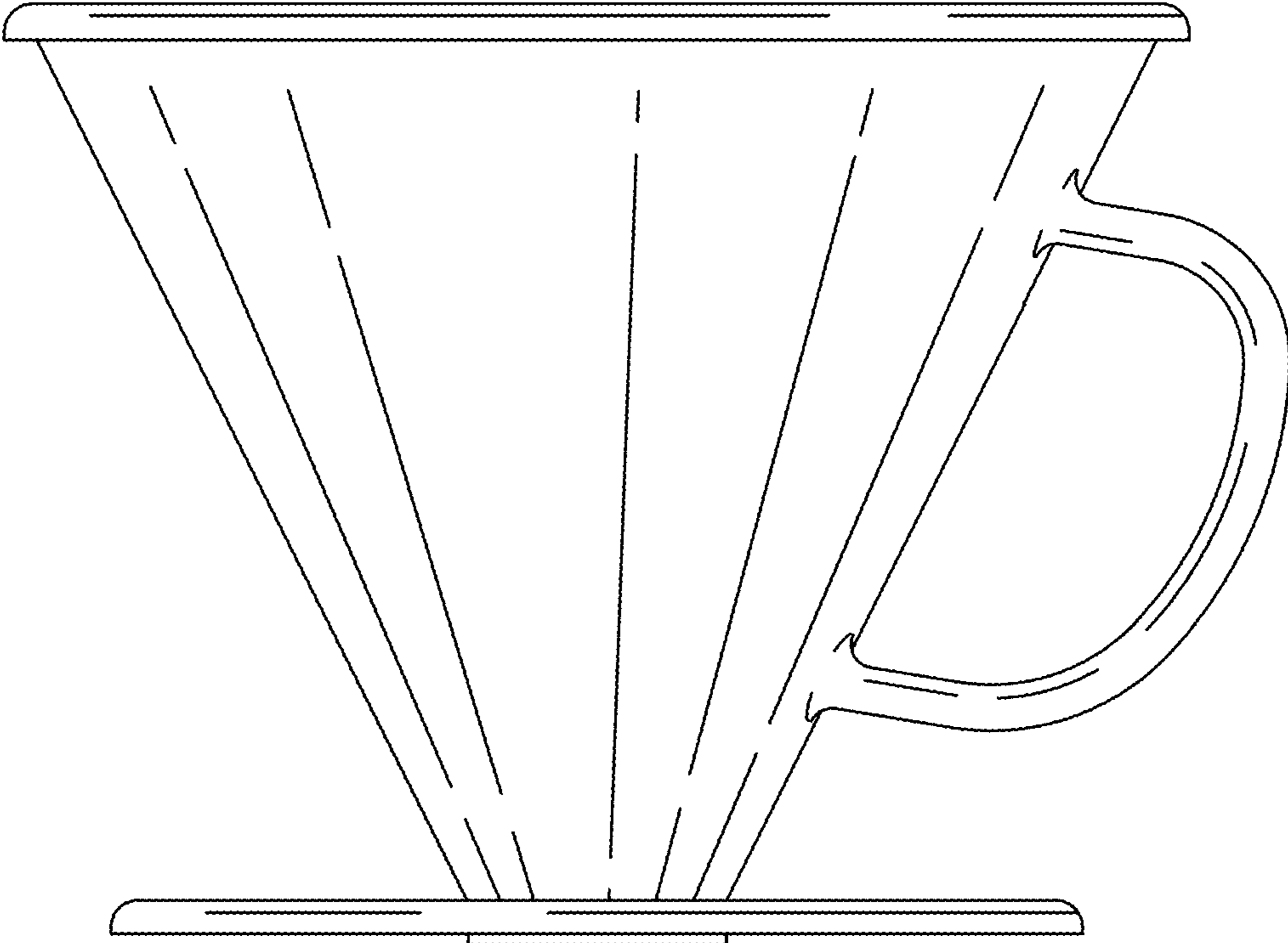


FIG. 2

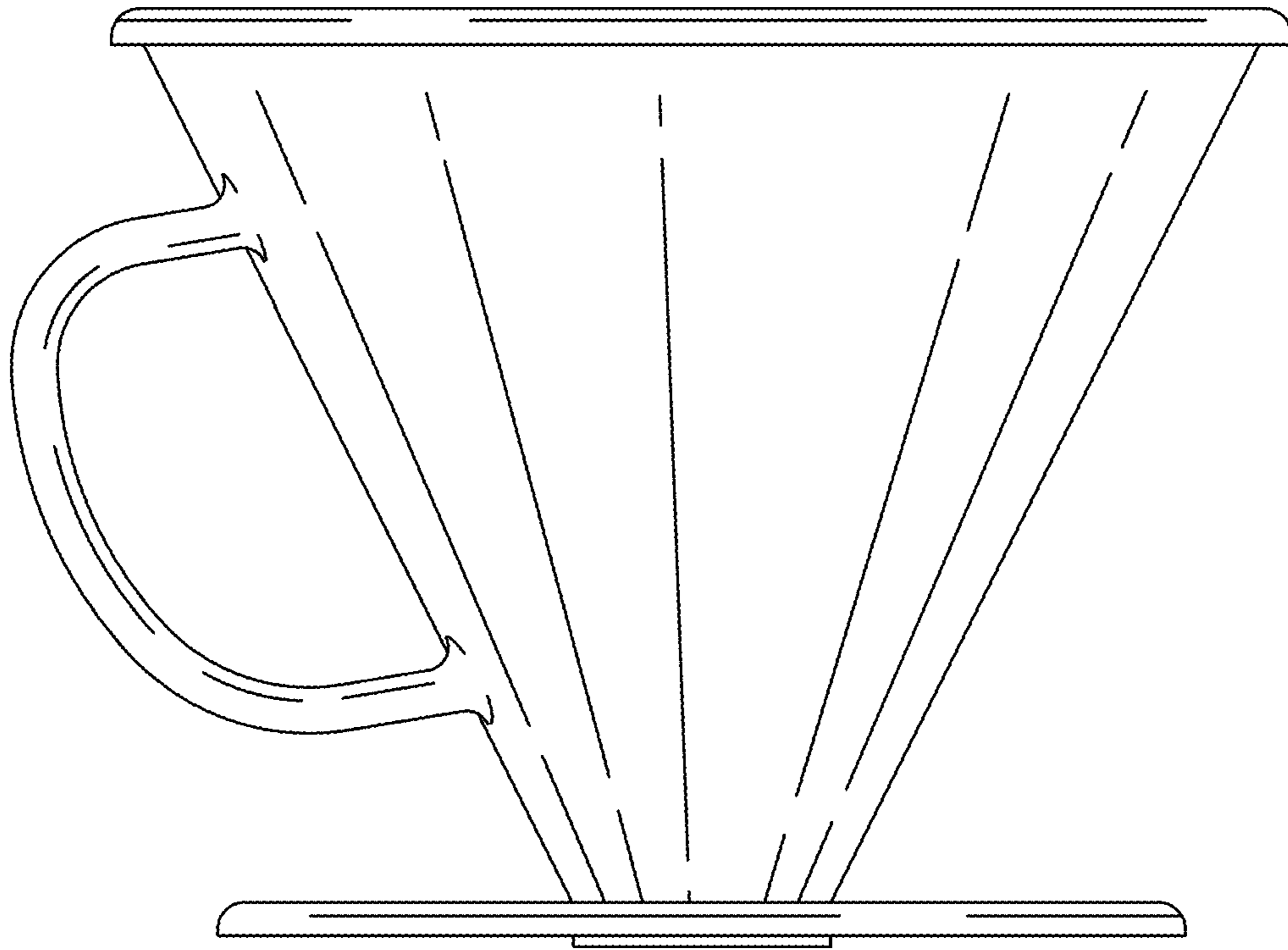


FIG. 3

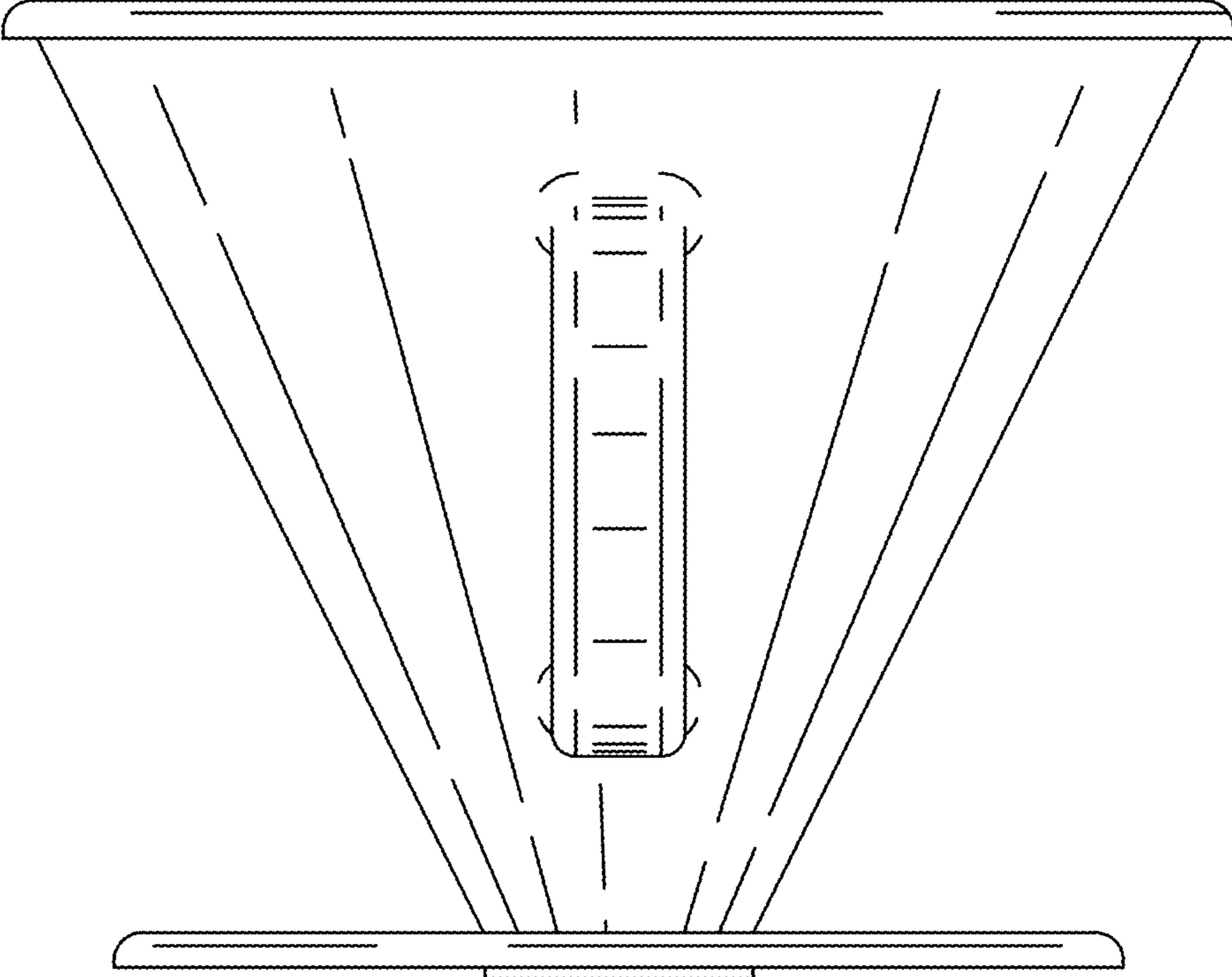


FIG. 4

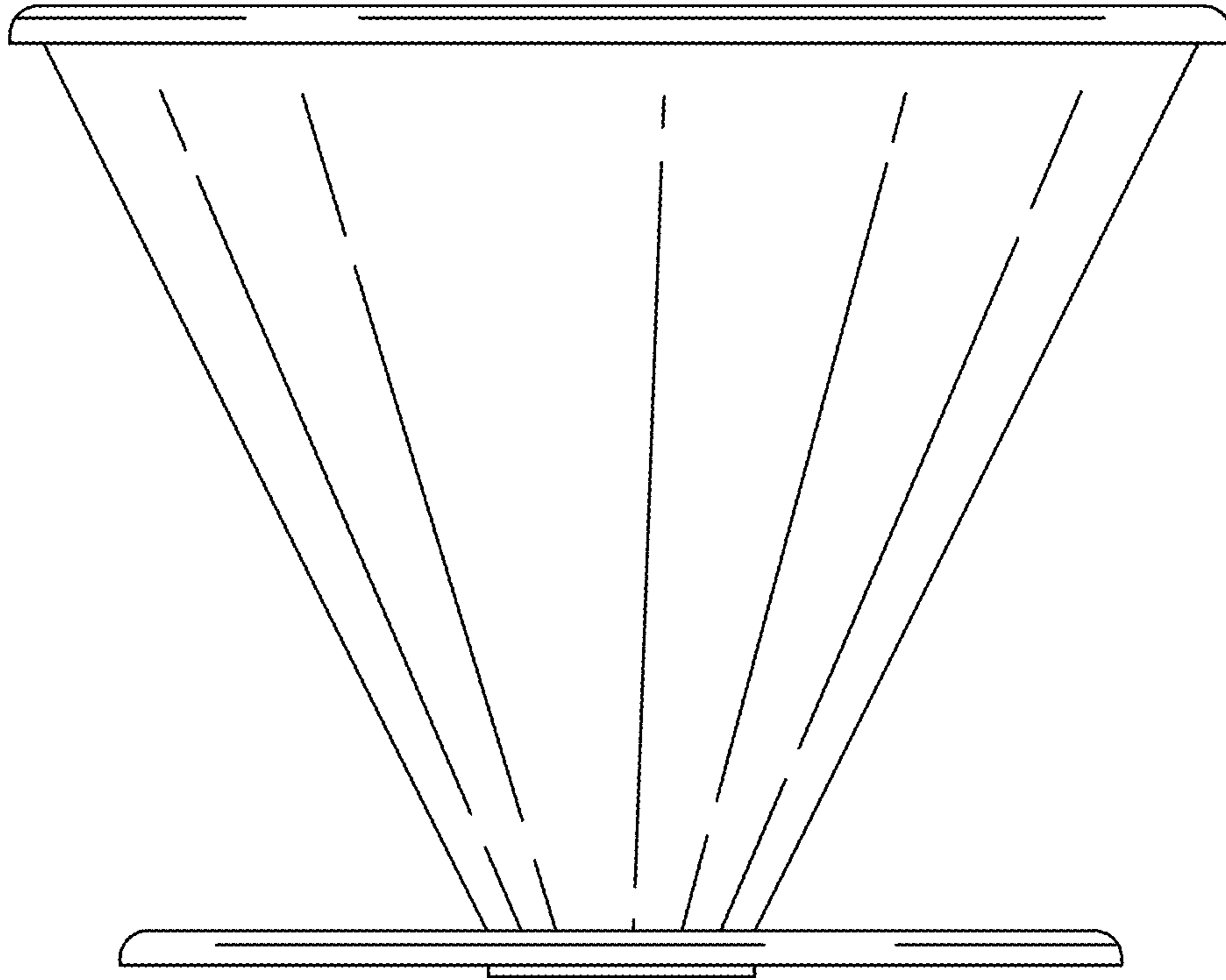


FIG. 5

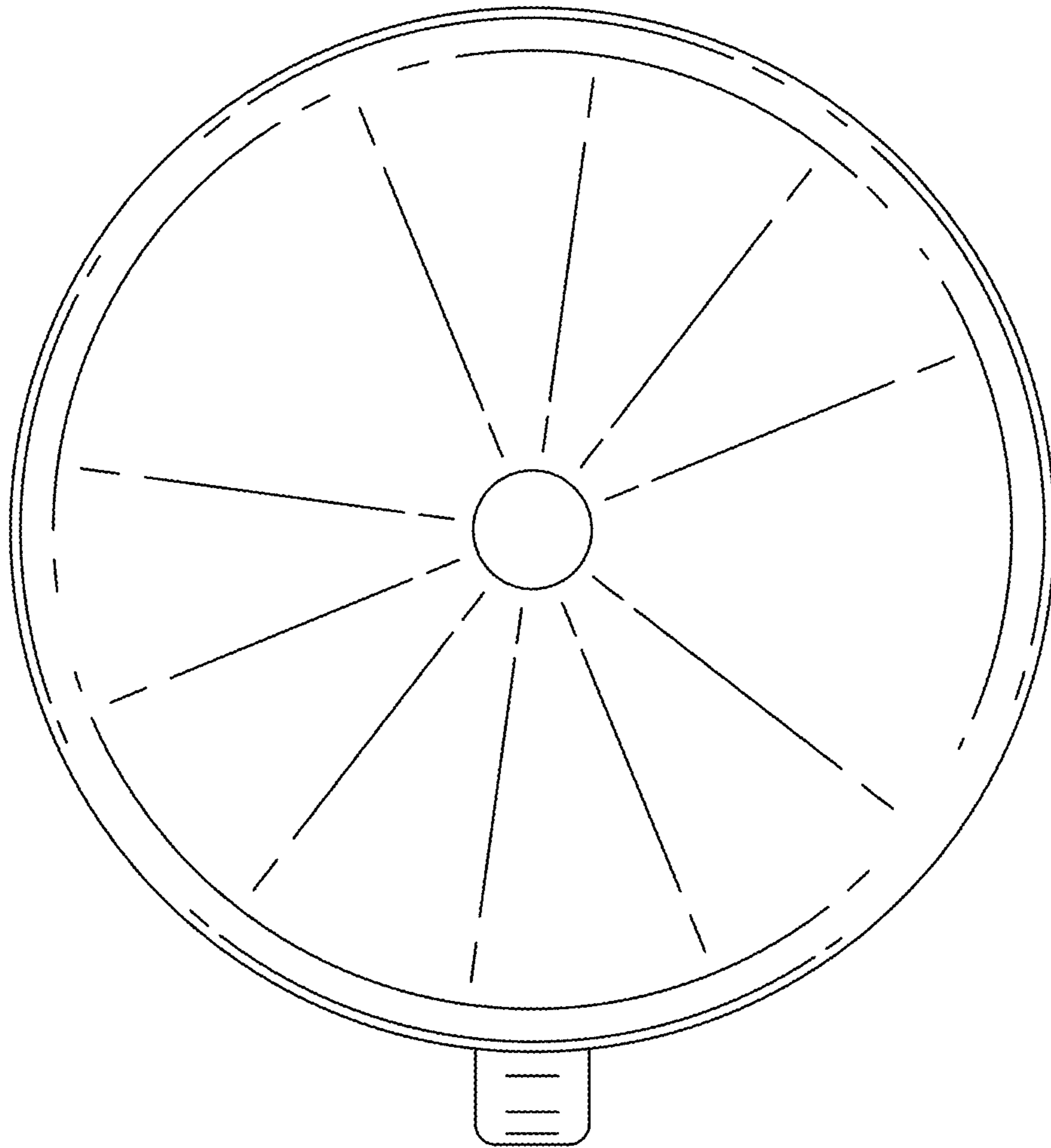


FIG. 6



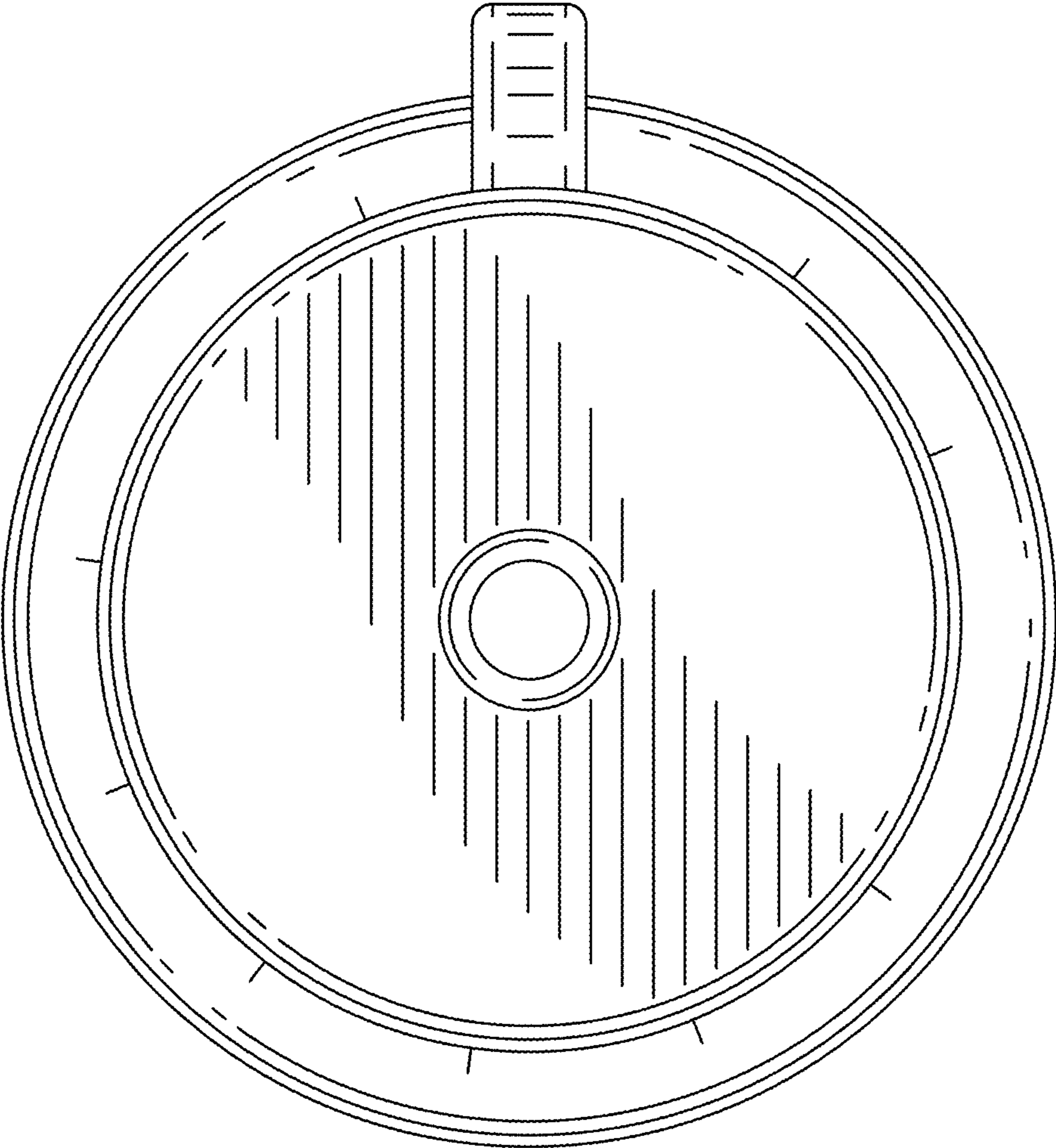


FIG. 7



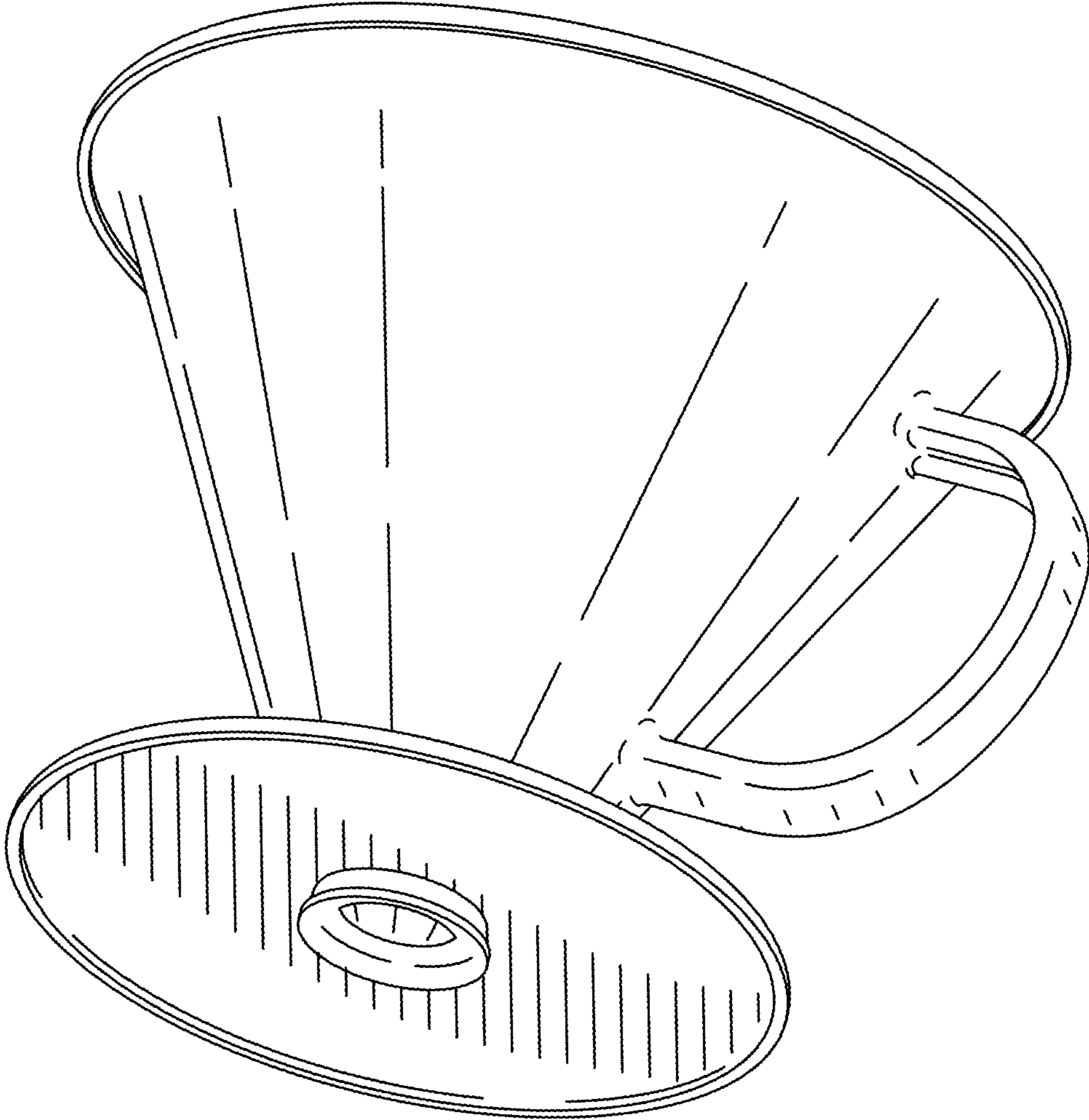


FIG. 8