



US00D971671S

(12) **United States Design Patent** (10) **Patent No.:** **US D971,671 S**  
**Edahiro** (45) **Date of Patent:** **\*\* Dec. 6, 2022**

(54) **LIQUID PREPARING DEVICE**

(71) Applicant: **World Matcha Inc.**, San Mateo, CA (US)  
(72) Inventor: **Naoya Edahiro**, San Francisco, CA (US)  
(73) Assignee: **World Matcha Inc.**, San Mateo, CA (US)  
(\*\*) Term: **15 Years**

(21) Appl. No.: **29/694,222**

(22) Filed: **Jun. 7, 2019**

(51) **LOC (13) Cl.** ..... **07-06**

(52) **U.S. Cl.**

USPC ..... **D7/399**

(58) **Field of Classification Search**

USPC ..... D7/300, 305-313, 317, 320-322, 376, D7/381, 397-399, 412, 415, 620, 665; D15/82, 90; D23/207, 209; D30/121, D30/129, 132; D16/133; D13/133; D21/499

(Continued)

(56) **References Cited**

**U.S. PATENT DOCUMENTS**

893,425 A \* 7/1908 Bell ..... B26F 1/32 30/316  
1,754,146 A \* 4/1930 Calvino ..... A47J 31/02 99/302 R

(Continued)

**FOREIGN PATENT DOCUMENTS**

CN 302434270 \* 5/2013  
CN 303187320 \* 4/2015

(Continued)

**OTHER PUBLICATIONS**

Avron Canada, "Pound a Peg," Nov. 1, 2011, Amazon.ca, www.amazon.ca/dp/B001USBEWY (Year: 2011).\*

(Continued)

*Primary Examiner* — Joseph Kukella

*Assistant Examiner* — Arva P Adams

(74) *Attorney, Agent, or Firm* — Procopio, Cory, Hargreaves & Savitch LLP

(57) **CLAIM**

The ornamental design for a liquid preparing device, as shown and described.

**DESCRIPTION**

FIG. 1 illustrates a perspective view of a liquid preparing device, showing my new design;

FIG. 2 illustrates a top view thereof;

FIG. 3 illustrates a bottom view thereof;

FIG. 4 illustrates a left view thereof;

FIG. 5 illustrates a right view thereof;

FIG. 6 illustrates a front view thereof;

FIG. 7 illustrates a rear view thereof;

FIG. 8 illustrates an enlarged partial view of the area indicated by dot-dash-dot-dash line VIII of FIG. 6; and,

FIG. 9 illustrates an enlarged partial view of the area indicated by dot-dash-dot-dash line IX of FIG. 7.

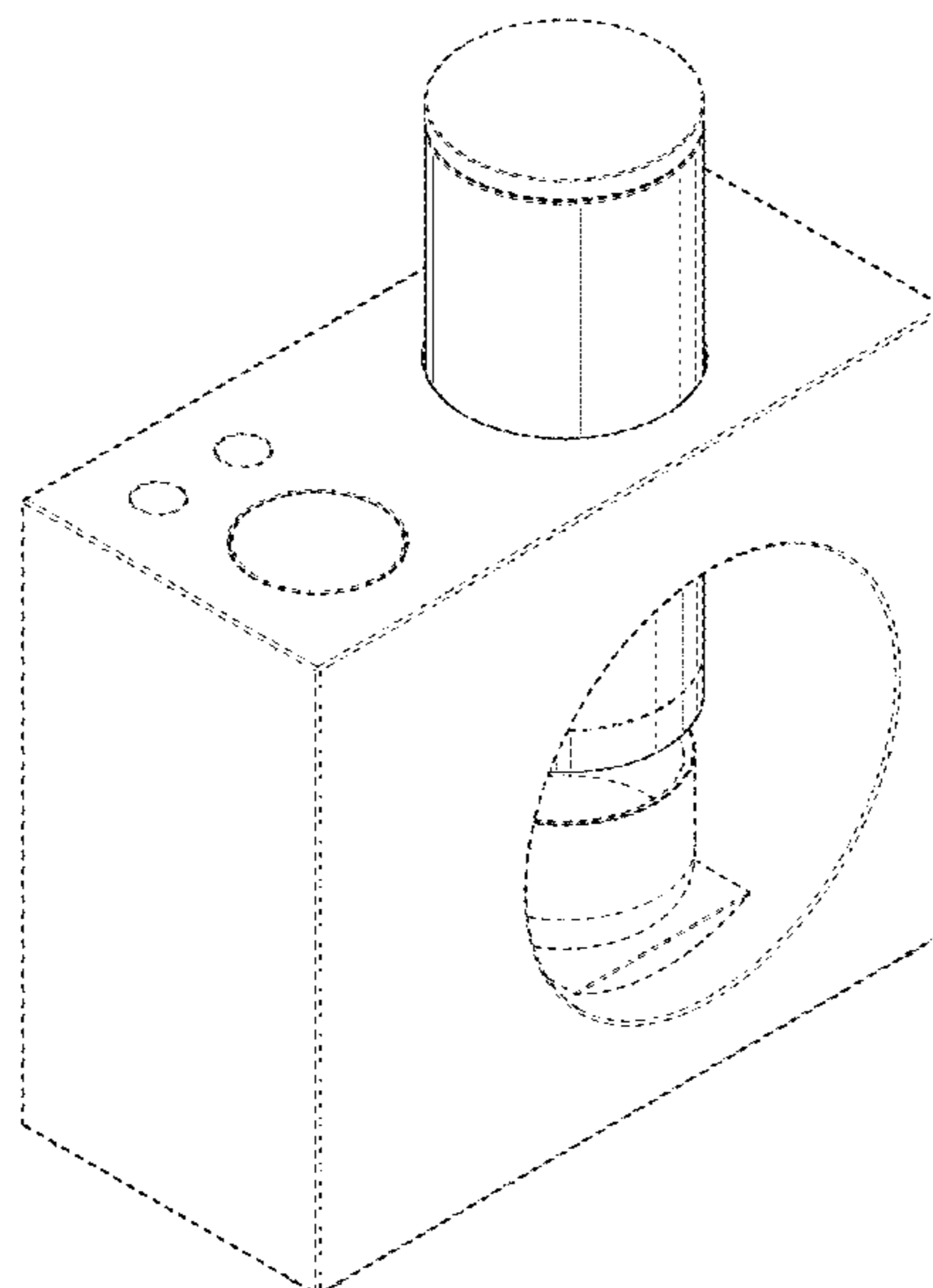
The broken dash-dash lines indicate portions of the liquid preparing device that form no part of the claimed design.

The circular broken dot-dash-dot-dash lines shown in FIGS. 6 and 7 illustrate reference lines highlighting areas enlarged in the enlarged partial views, and form no part of the claimed design.

The circular broken dot-dash-dot-dash lines shown in FIGS. 8 and 9 surrounding the enlarged partial views indicated in FIGS. 6 and 7 form no part of the claimed design.

The straight broken dot-dash-dot-dash lines shown in FIGS. 7 and 9 illustrate a boundary of the claim and form no part of the claimed design.

**1 Claim, 9 Drawing Sheets**



(58) **Field of Classification Search**

CPC ..... A47J 31/00; A47J 31/005; A47J 31/02;  
 A47J 31/0576; A47J 31/061; A47J 31/10;  
 A47J 31/24; A47J 31/3633; A47J 31/40;  
 A47J 31/44; A47J 31/4403; A47J 31/46;  
 A47J 31/467; A47J 31/50; A47J 27/06;  
 A47J 19/00; A47J 19/02; A47J 19/023;  
 A47J 19/027; A47J 19/06; B67D 1/0004;  
 B67D 2001/0087; B67D 3/00; B67D  
 1/0017; B67D 1/0021; B67D 1/0022;  
 B67D 1/0023; B67D 1/0024; B67D  
 1/0041; B67D 1/0085; B67D 1/16; B67D  
 2001/0089; B67D 2001/0091; C02F  
 2209/445; C02F 1/003; B01D 35/02;  
 C12G 3/06; C12G 1/0206

See application file for complete search history.

(56) **References Cited**

U.S. PATENT DOCUMENTS

2,059,622 A \* 11/1936 Bell ..... A47J 31/02  
 99/287  
 2,117,585 A \* 5/1938 Weber ..... B67D 3/00  
 215/12.1  
 2,289,656 A \* 7/1942 Knapp ..... A47J 19/027  
 99/512  
 2,326,420 A \* 8/1943 Vukasinovich ..... A47J 31/50  
 126/377.1  
 3,334,571 A \* 8/1967 Matty ..... A47J 31/46  
 99/283  
 3,336,857 A \* 8/1967 Knodt ..... A47J 31/16  
 99/296  
 D214,272 S \* 5/1969 Pautrie ..... A47J 31/16  
 D13/133  
 D272,167 S \* 1/1984 Chatani ..... D21/499  
 5,529,252 A \* 6/1996 Baines ..... A47J 19/06  
 241/169.2  
 D499,599 S \* 12/2004 Morrison ..... A47J 19/027  
 D7/306  
 D551,020 S \* 9/2007 Kozlowski ..... D7/412  
 D555,412 S \* 11/2007 Van Elk ..... B01F 3/1221  
 D7/309  
 D607,683 S \* 1/2010 Choi ..... A47J 31/46  
 D7/309  
 D650,885 S \* 12/2011 Bridges ..... B67D 3/00  
 D23/207  
 D724,884 S \* 3/2015 Struzka ..... A47J 31/005  
 D7/306

D748,865 S \* 2/2016 Hall ..... A47J 31/02  
 D28/85  
 D802,992 S \* 11/2017 Wilson ..... D7/376  
 D812,956 S \* 3/2018 Liang ..... D7/310  
 D829,061 S \* 9/2018 King ..... D7/665  
 D927,268 S \* 8/2021 Wei ..... D7/665  
 2004/0129145 A1 \* 7/2004 Denisart ..... A47J 31/3633  
 99/275  
 2005/0061158 A1 \* 3/2005 Della Pietra ..... A47J 31/3642  
 99/279  
 2015/0223628 A1 \* 8/2015 Cheung ..... A47J 31/005  
 99/296  
 2019/0254465 A1 \* 8/2019 Di Maria ..... B01F 3/1221

FOREIGN PATENT DOCUMENTS

CN 303410499 \* 10/2015  
 CN 303940165 \* 11/2016  
 CN 304272384 \* 9/2017  
 CN 304575770 \* 4/2018  
 CN 304895336 \* 11/2018  
 EM 002255927-0001 \* 12/2015  
 JP D1540335 \* 12/2015  
 JP D1688242 \* 6/2021  
 JP D1688284 \* 6/2021  
 JP D1688285 \* 6/2021  
 TR 656491-0001 \* 3/2014

OTHER PUBLICATIONS

Warnsail.com, "Aicok Portable Coffee Espresso Maker," Nov. 9, 2018, Warnsail.com, [www.warnsail.com/index.php?main\\_page=product\\_info&products\\_id=684381](http://www.warnsail.com/index.php?main_page=product_info&products_id=684381) (Year: 2018).  
 Cuzenmatcha, Facebook post, Dec. 12, 2019, Facebook.com, [www.facebook.com/cuzenmatcha/photos/160682671977375](http://www.facebook.com/cuzenmatcha/photos/160682671977375) (Year: 2019).  
 Chefman, "Chefman Grind and Brew 4 Cup Coffee Maker and Grinder," Jan. 11, 2019, Amazon.ca, [www.amazon.ca/dp/B07N1WW6J8](http://www.amazon.ca/dp/B07N1WW6J8) (Year: 2019).  
 Lee, N., "Cuzen uses magnets to brew you a fresh matcha in seconds," Jan. 8, 2020, Engadget, [www.engadget.com/2020-01-08-cuzen-matcha-hands-on.html](http://www.engadget.com/2020-01-08-cuzen-matcha-hands-on.html) (Year: 2020).  
 Officer Action for related Japanese Patent Application No. 2019-027297 dated Dec. 7, 2021 (2 pages).  
 International Registration Certificated for related European Design Patent Registration No. DM/207820, dated May 1, 2020 (6 pages).  
 Patent Certificate for Design for related Chinese Design Patent Registration No. ZL 201930681791.2, published on Jun. 30, 2020 (1 pages).

\* cited by examiner

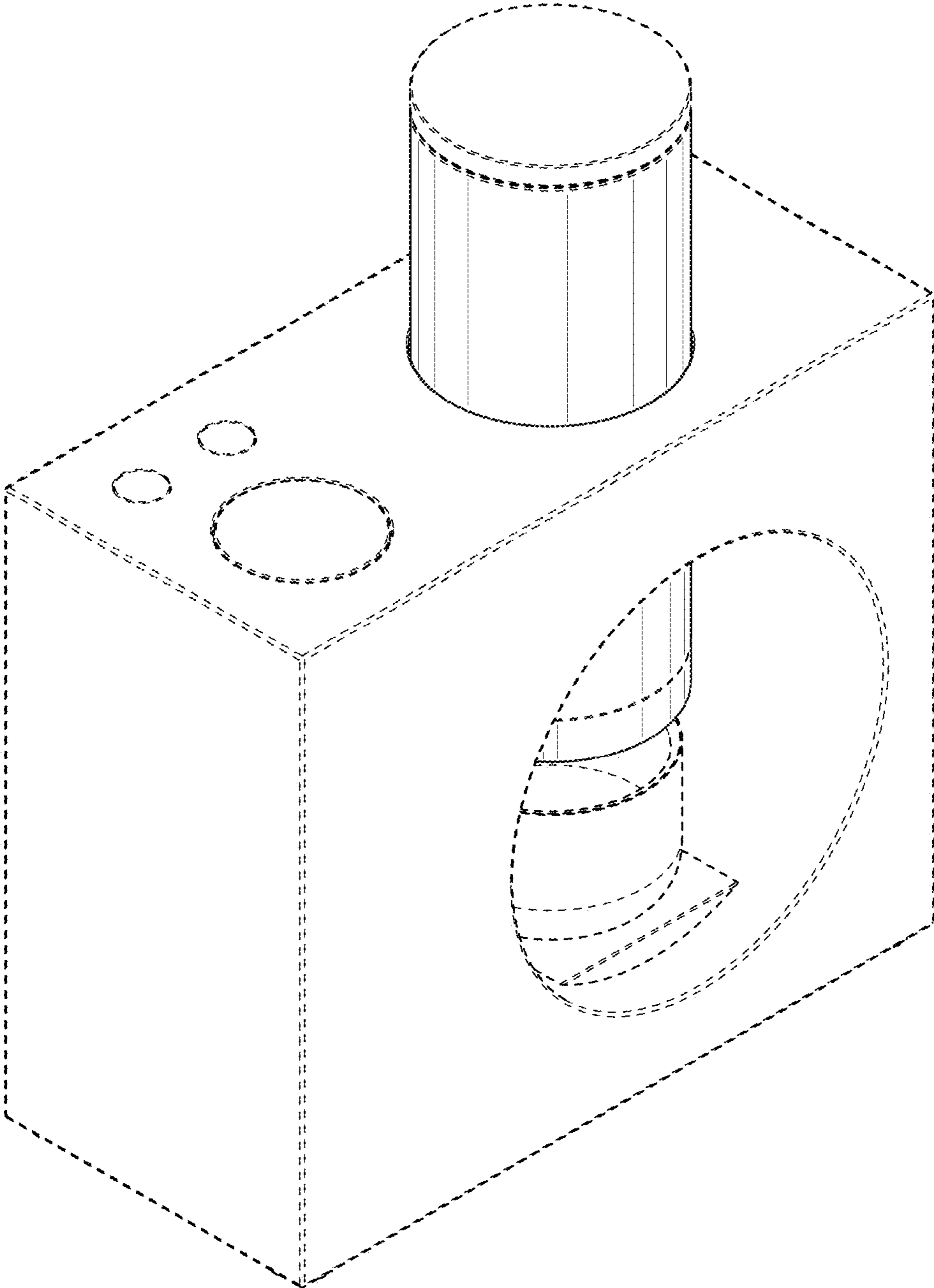


FIG. 1

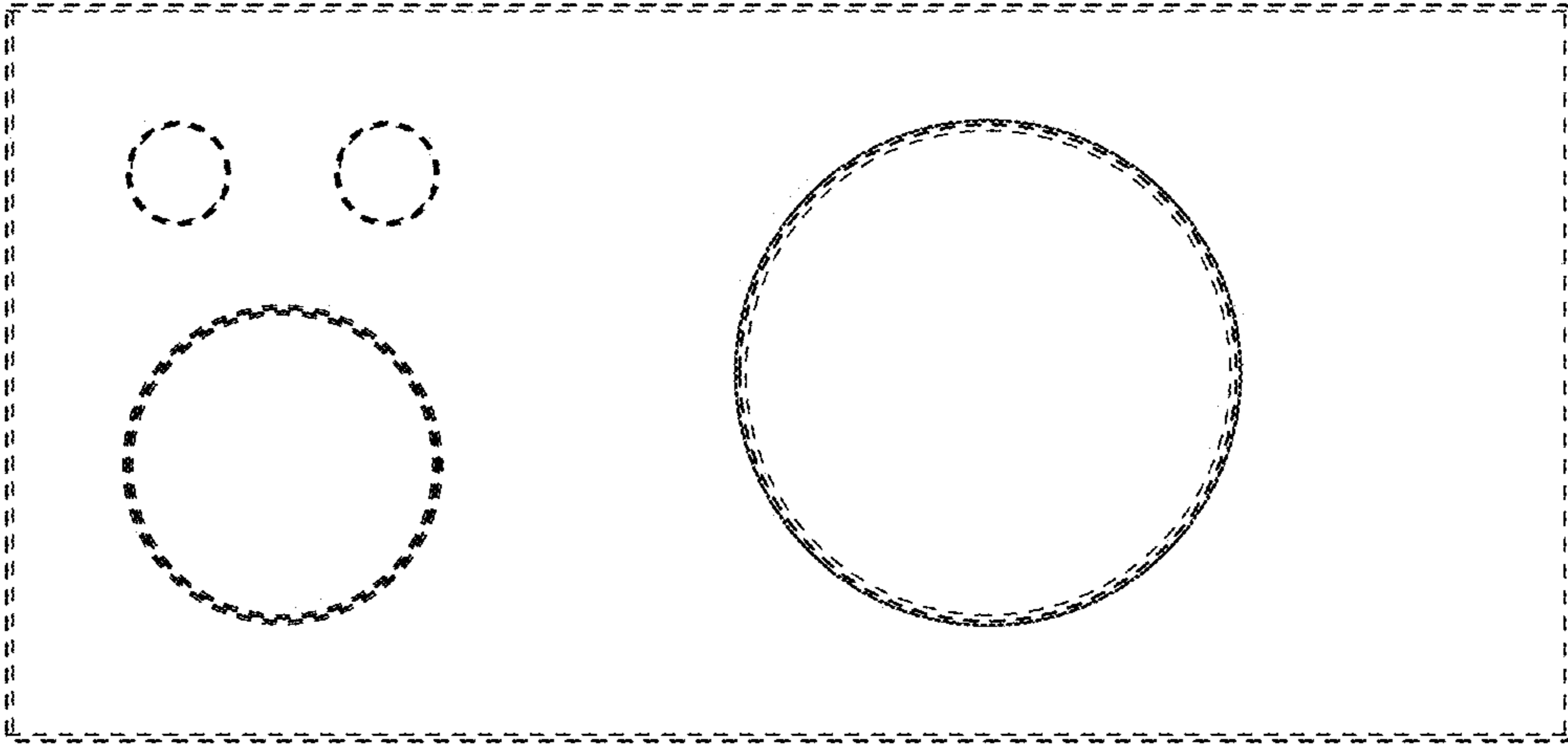


FIG. 2



FIG. 3

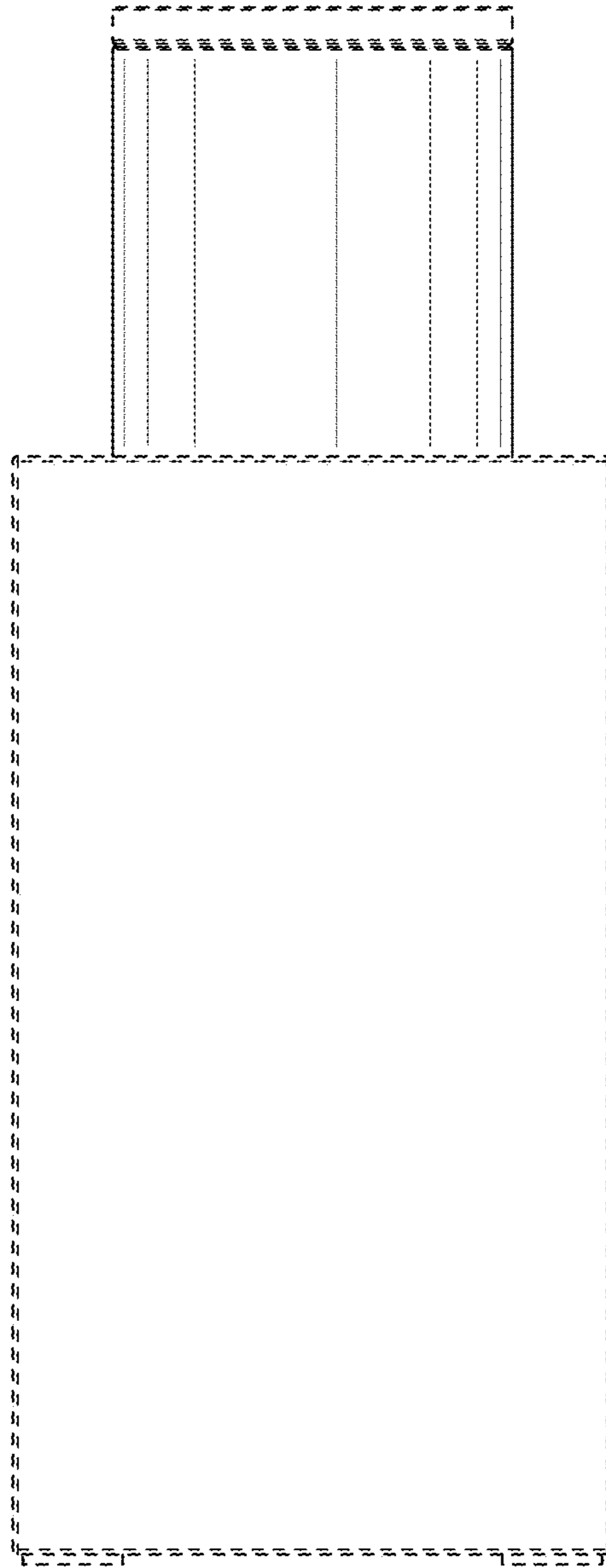


FIG. 4

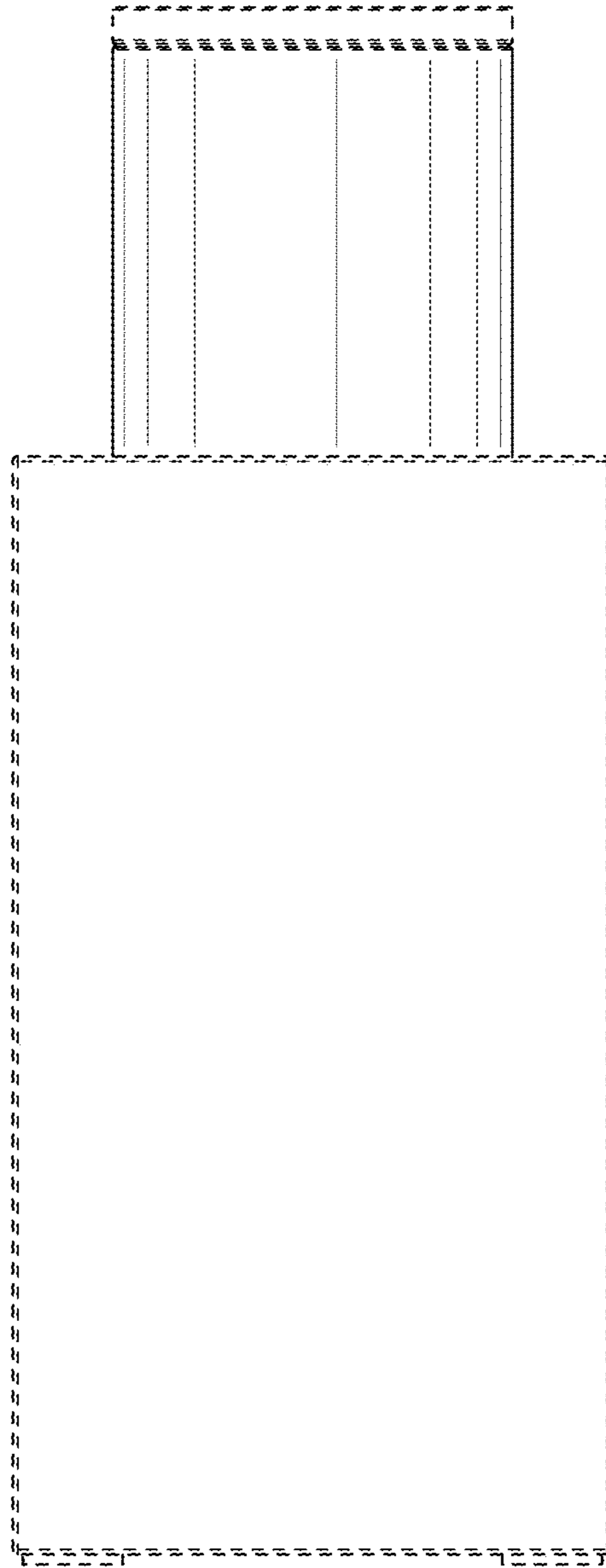


FIG. 5

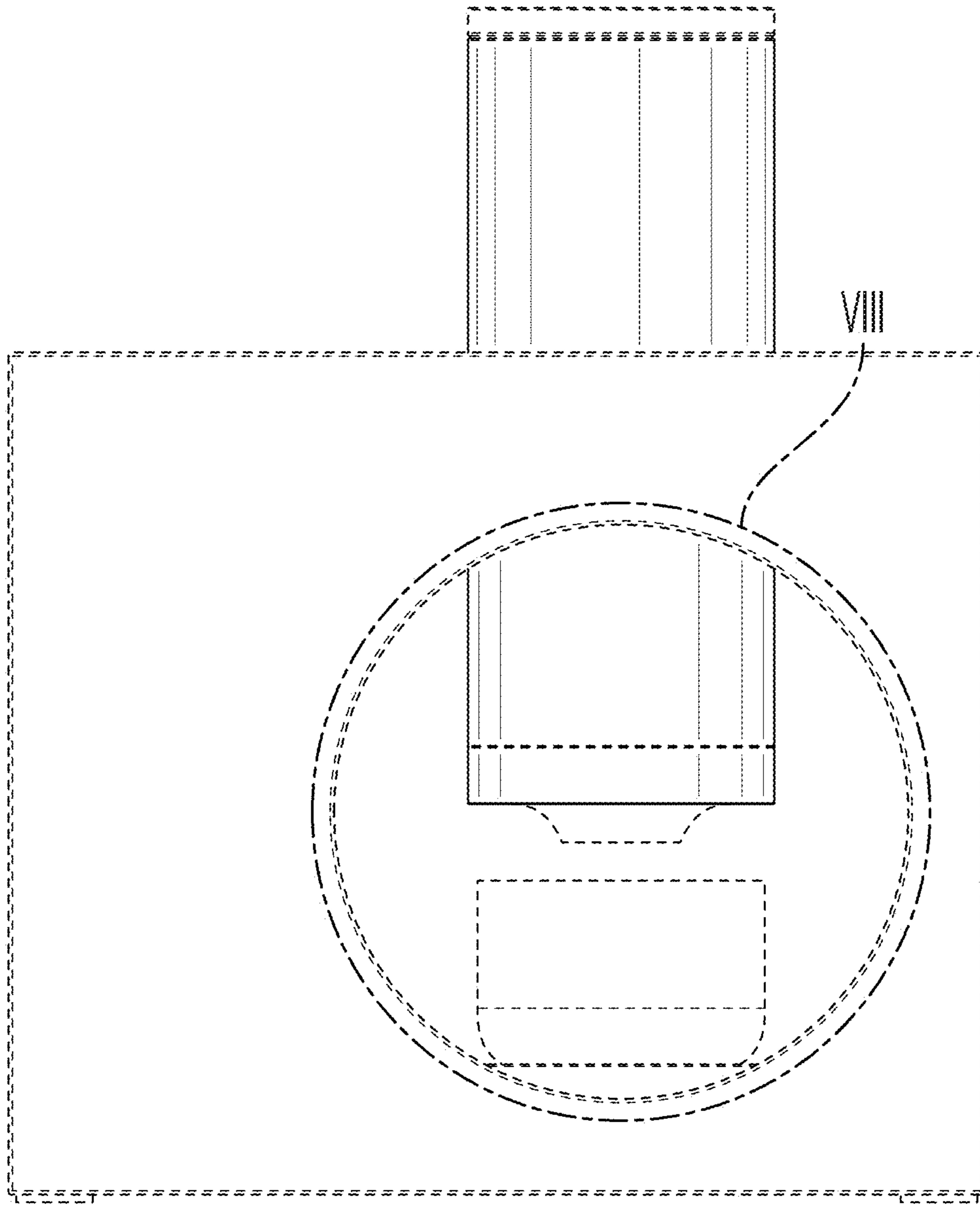


FIG. 6



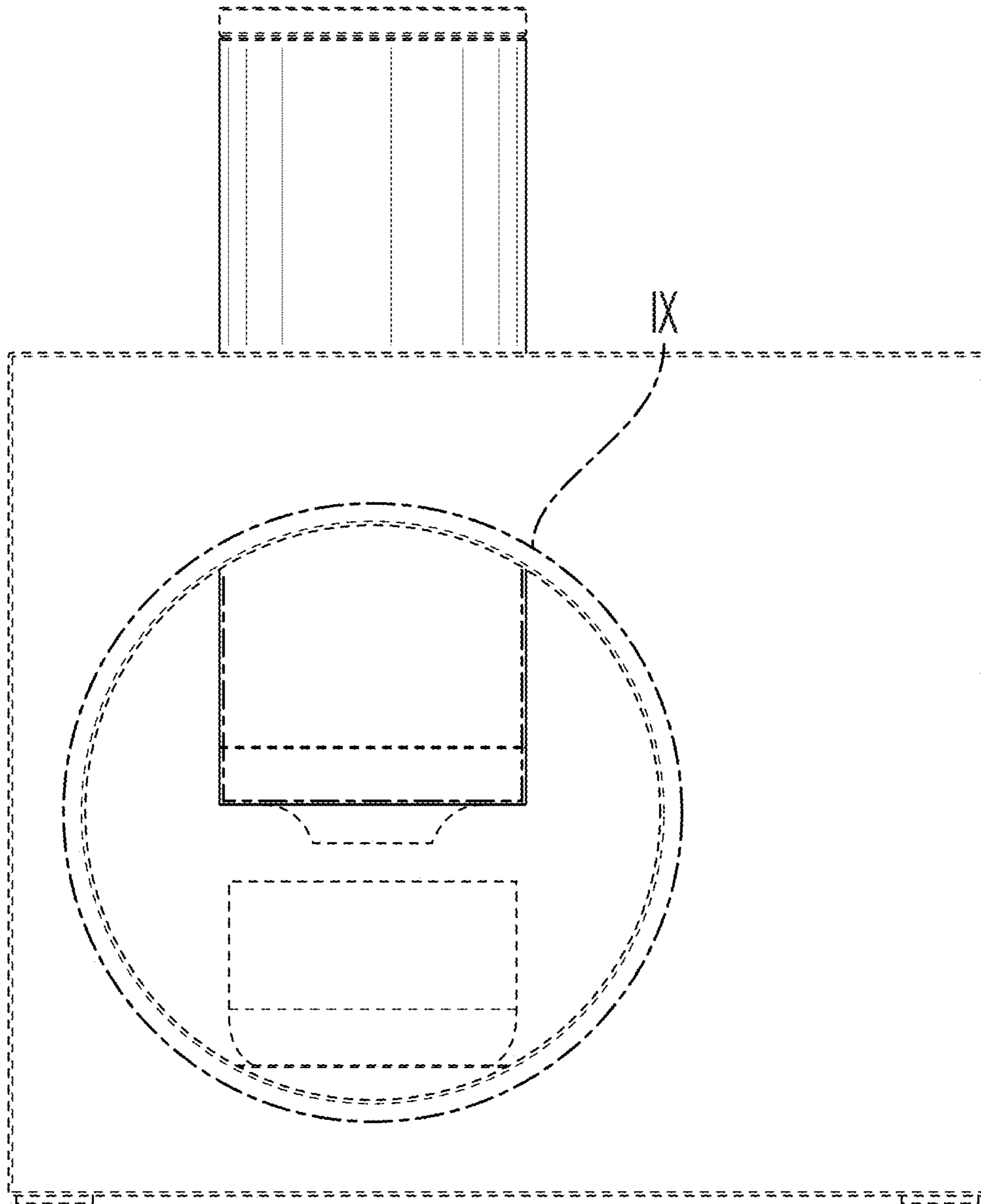


FIG. 7

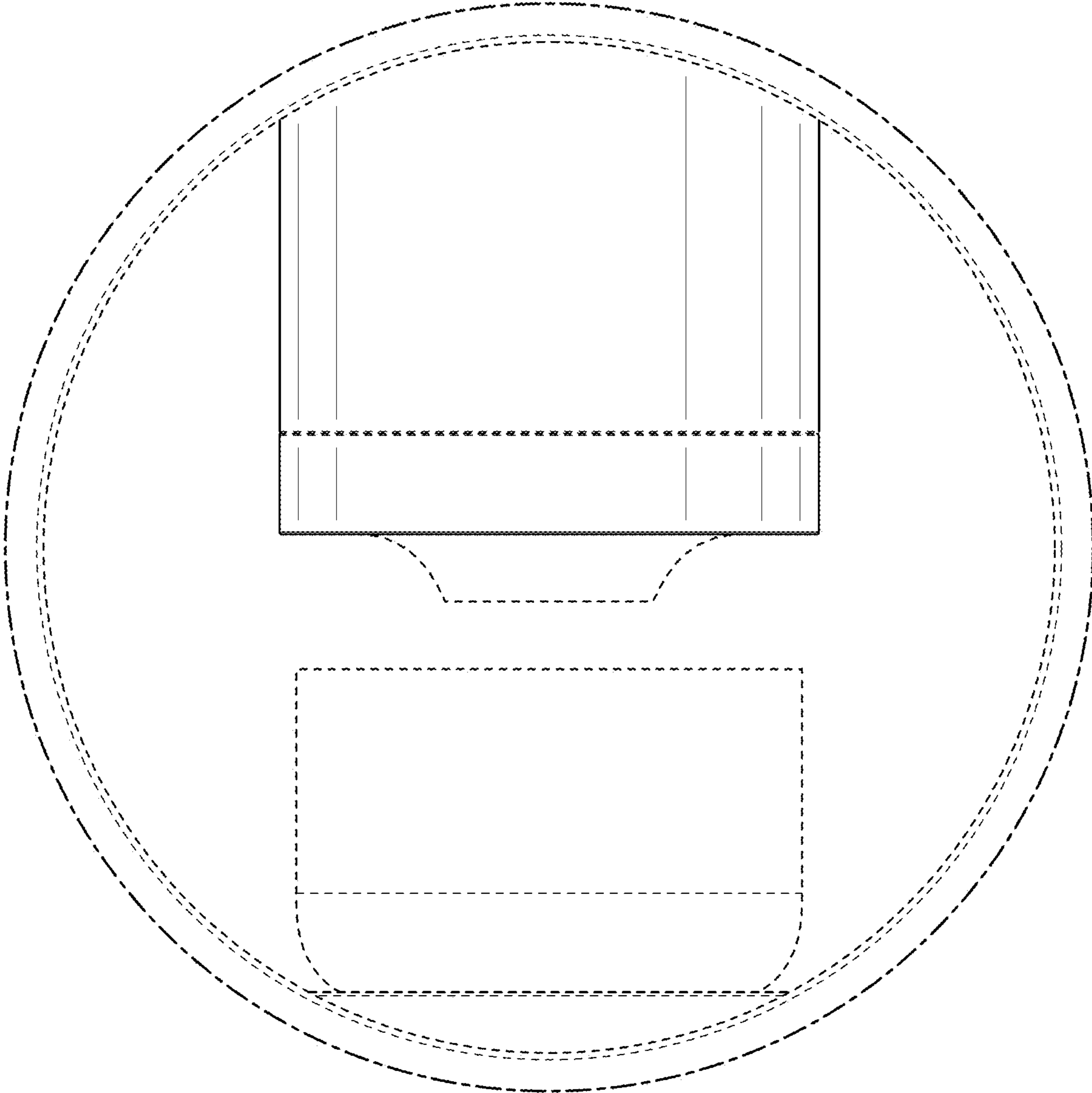


FIG. 8

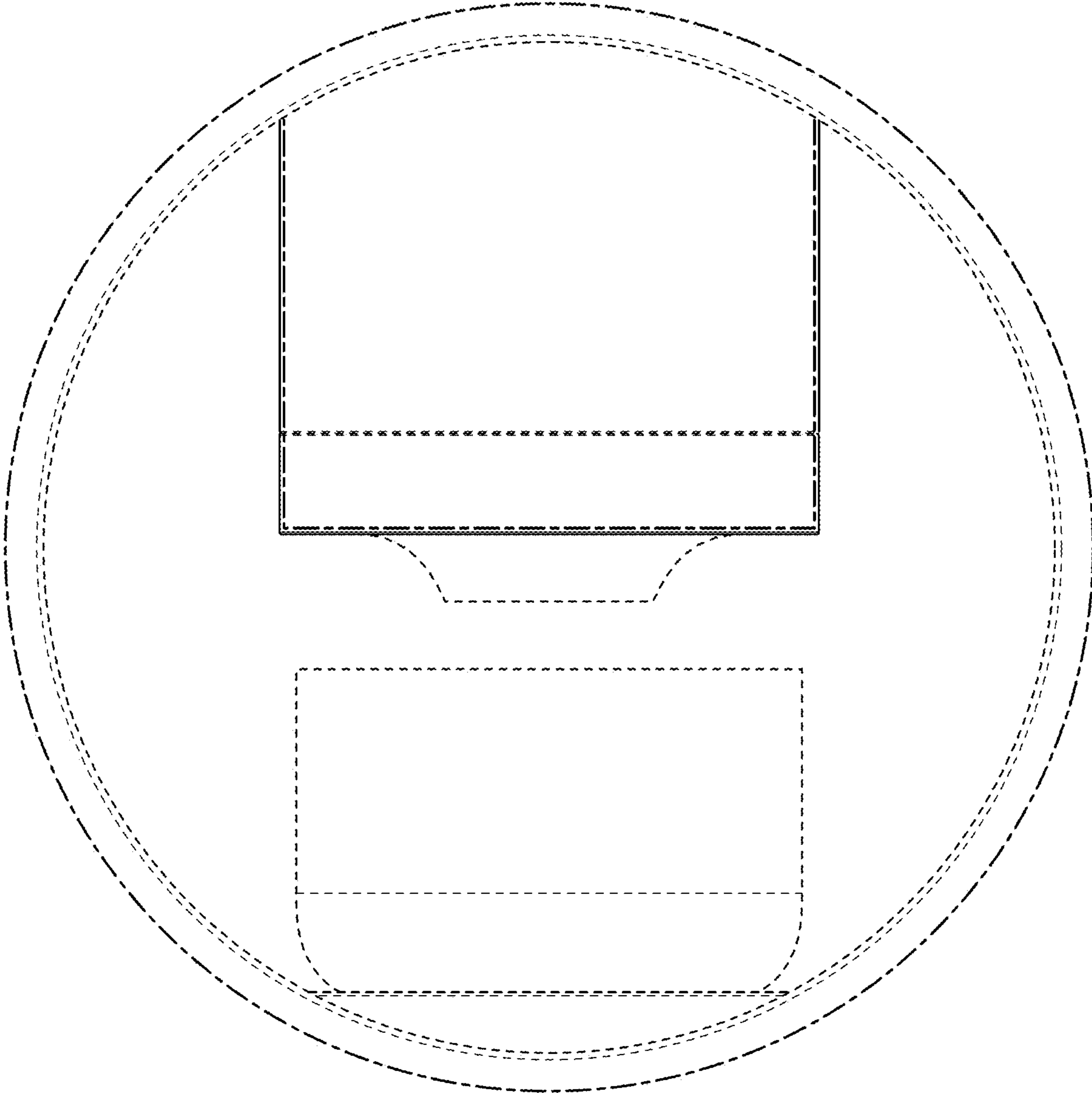


FIG. 9