

US00D971668S

(12) **United States Design Patent** (10) **Patent No.:** **US D971,668 S**
Lee (45) **Date of Patent:** **** Dec. 6, 2022**

(54) **OVEN TRAY**
(71) Applicant: **ELAGO CO. LTD**, Goyang-si (KR)
(72) Inventor: **Chanwoo Lee**, Goyang-si (KR)
(73) Assignee: **elago CO. LTD**, Goyang-si (KR)
(**) Term: **15 Years**
(21) Appl. No.: **29/849,216**
(22) Filed: **Aug. 9, 2022**
(51) **LOC (13) Cl.** **07-02**
(52) **U.S. Cl.**
USPC **D7/359**; D7/354
(58) **Field of Classification Search**
USPC D7/323, 354–361, 409, 543, 545, 549,
D7/550.1, 553.1–553.8, 554.1–554.4, 555,
D7/584, 586; D9/425, 430–433,
D9/455–456, 737, 756–762; D11/155
CPC A21B 3/00; A21B 3/13; A21B 3/15; A21B
3/134; A21B 5/00; A21B 5/02; A47G
23/0633; A47J 36/022; A47J 36/025;
A47J 36/027; A47J 36/2405; A47J 37/00;
A47J 37/04; A47J 37/067; B65D 1/22;
B65D 1/24; B65D 1/34; B65D 1/36;
B65D 77/2008; B65D 81/343; B65D
85/36
See application file for complete search history.

D806,471 S * 1/2018 Fullmer D7/354
D820,629 S 6/2018 Lum et al.
D876,877 S * 3/2020 Cheng D7/359
D891,274 S * 7/2020 Abdelnour D7/553.3
D903,399 S 12/2020 Xue
D922,128 S 6/2021 Li
D923,403 S 6/2021 Seo et al.
D930,422 S 9/2021 Li
(Continued)

FOREIGN PATENT DOCUMENTS

CN 306635454 6/2021
CN 307415379 6/2022
(Continued)

OTHER PUBLICATIONS

P&P Chef Small Toaster Oven Pan. Date First Available on Amazon.com May 7, 2022. <https://www.amazon.com/dp/B09ZQMNY3P/ref> (Year: 2022).*

Primary Examiner — Ricky Pham
(74) *Attorney, Agent, or Firm* — Paratus Law Group, PLLC

(57) **CLAIM**

The ornamental design for an oven tray, as shown and described.

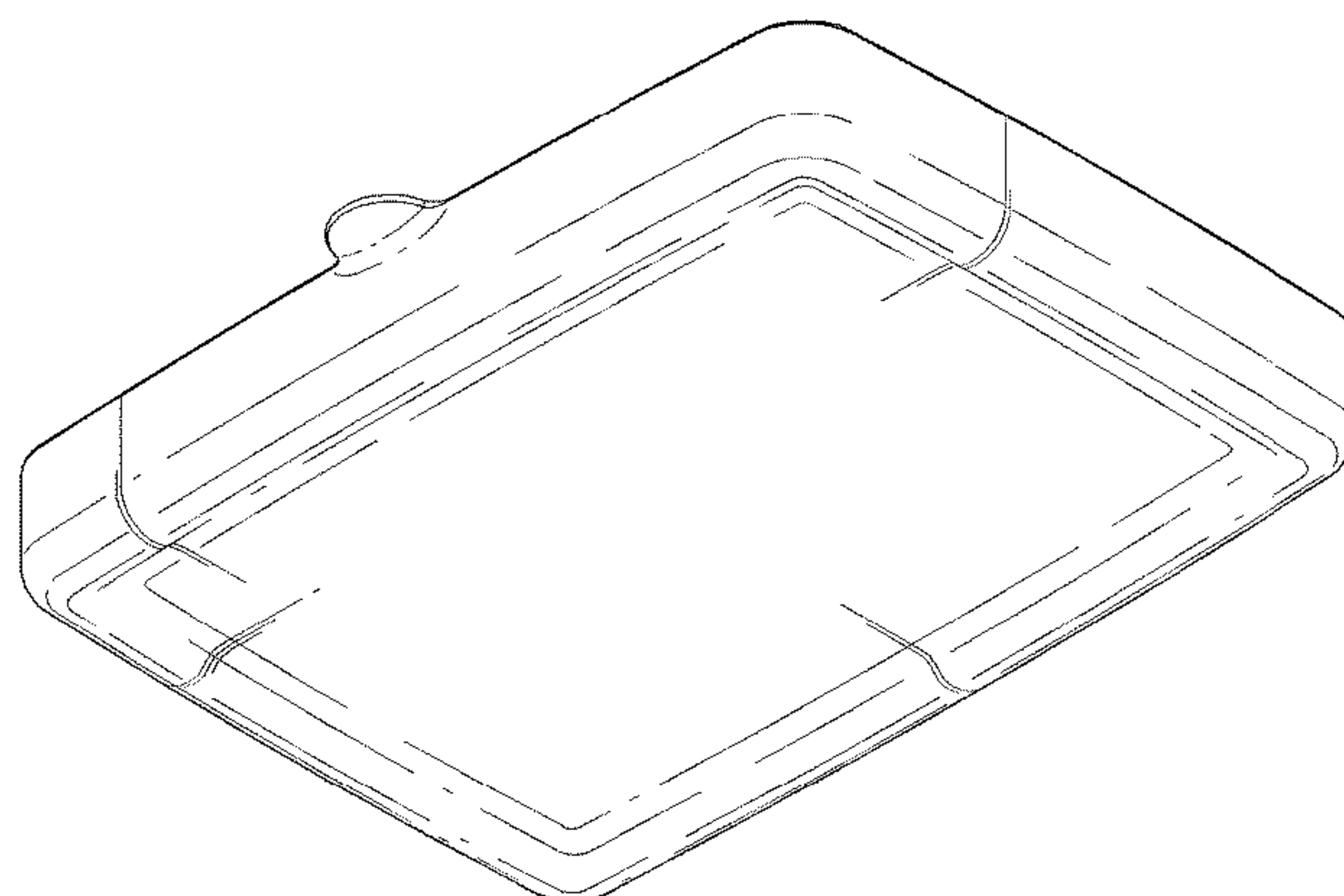
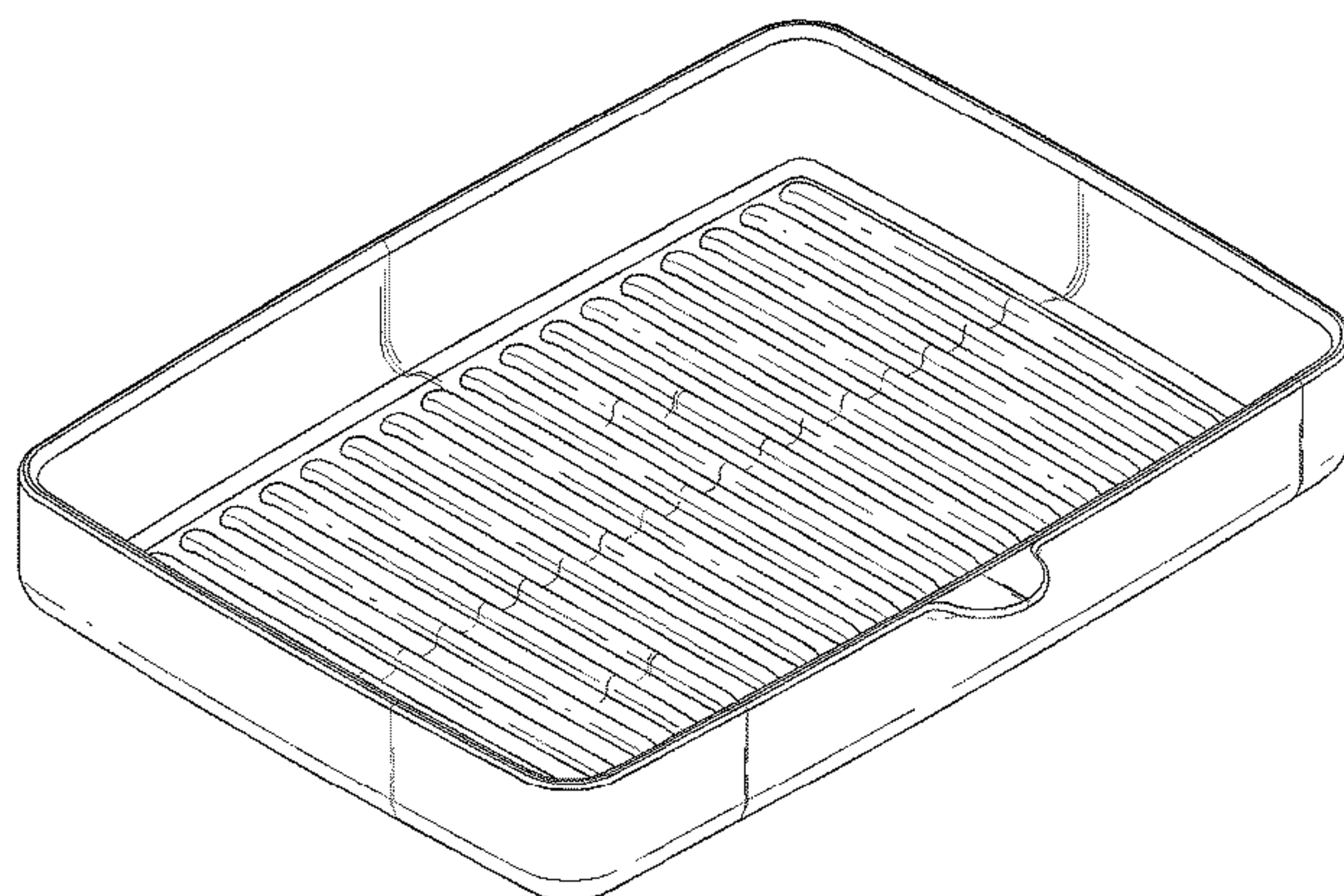
DESCRIPTION

FIG. 1 is a front, top, and left side perspective view of an oven tray, showing my new design;
FIG. 2 is a front view thereof;
FIG. 3 is a back view thereof;
FIG. 4 is a left side view thereof;
FIG. 5 is a right side view thereof;
FIG. 6 is a top view thereof;
FIG. 7 is a bottom view thereof; and,
FIG. 8 is a front, bottom, and right side perspective view thereof.

1 Claim, 5 Drawing Sheets

(56) **References Cited**
U.S. PATENT DOCUMENTS

D268,981 S * 5/1983 Monson 426/243
5,884,555 A * 3/1999 Chang A47J 37/067
99/425
D463,202 S * 9/2002 Smith D7/359
D471,397 S * 3/2003 Wright D7/359
D551,492 S 9/2007 Schuler
D653,075 S * 1/2012 Lupkes D7/359
D756,699 S * 5/2016 Kim A47J 37/067
D7/354
D806,464 S * 1/2018 Sarnoff D7/354



(56)

References Cited

U.S. PATENT DOCUMENTS

D933,523 S * 10/2021 Montagano D11/155
D941,632 S * 1/2022 Levy D7/409
D957,868 S * 7/2022 Zhang D7/359
2008/0060530 A1 3/2008 Tetreault et al.
2018/0153340 A1 6/2018 Viner et al.

FOREIGN PATENT DOCUMENTS

IL 11358 2/1988
WO WO D046467-005 3/1999
WO WO 2009/094879 A1 8/2009

* cited by examiner

FIG. 1

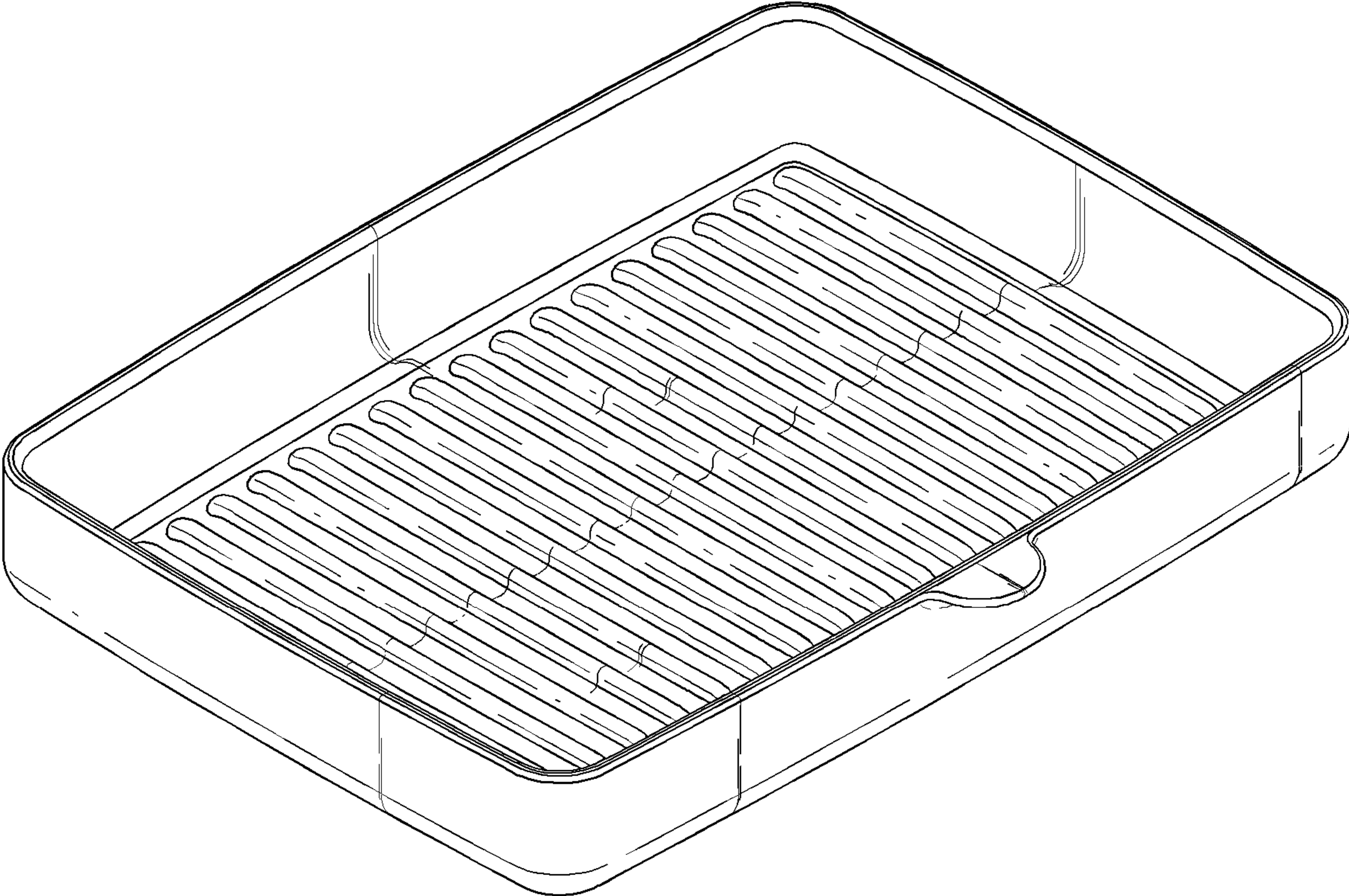


FIG. 2

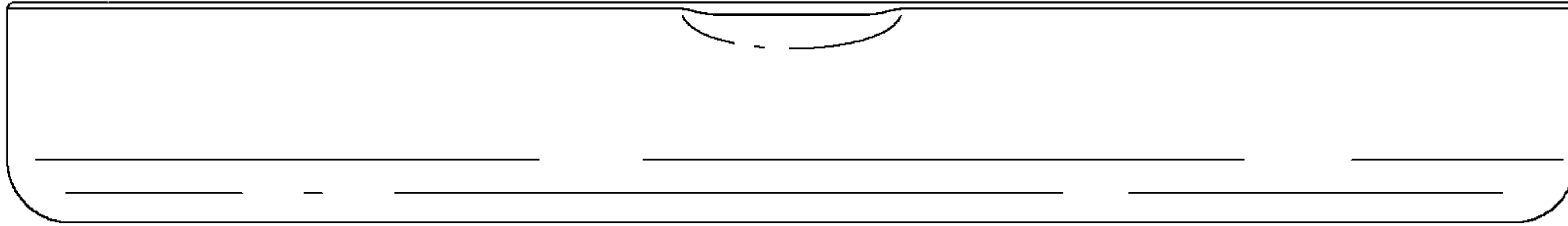


FIG. 3

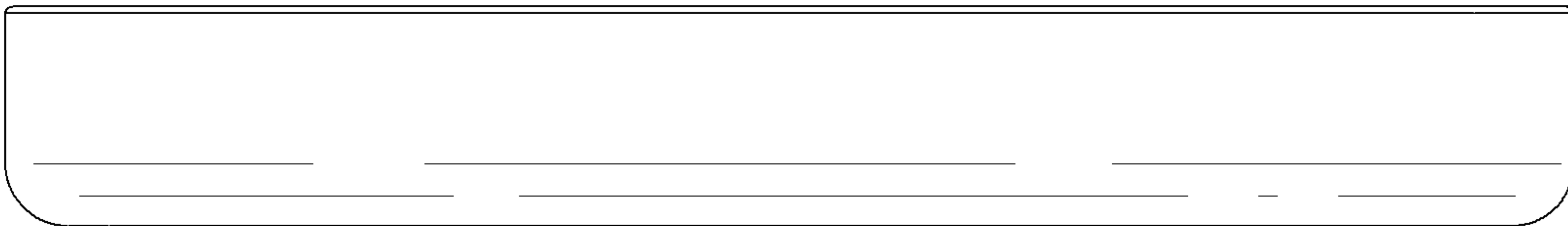


FIG. 4

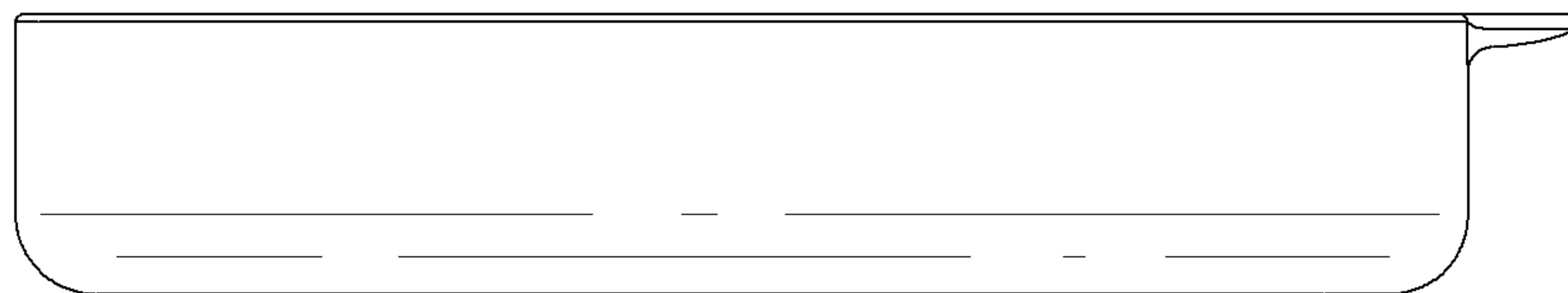


FIG. 5

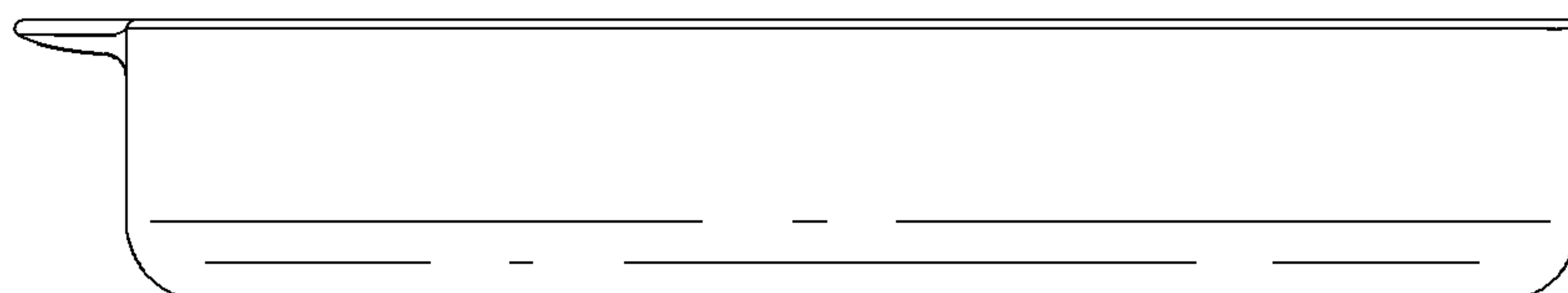


FIG. 6

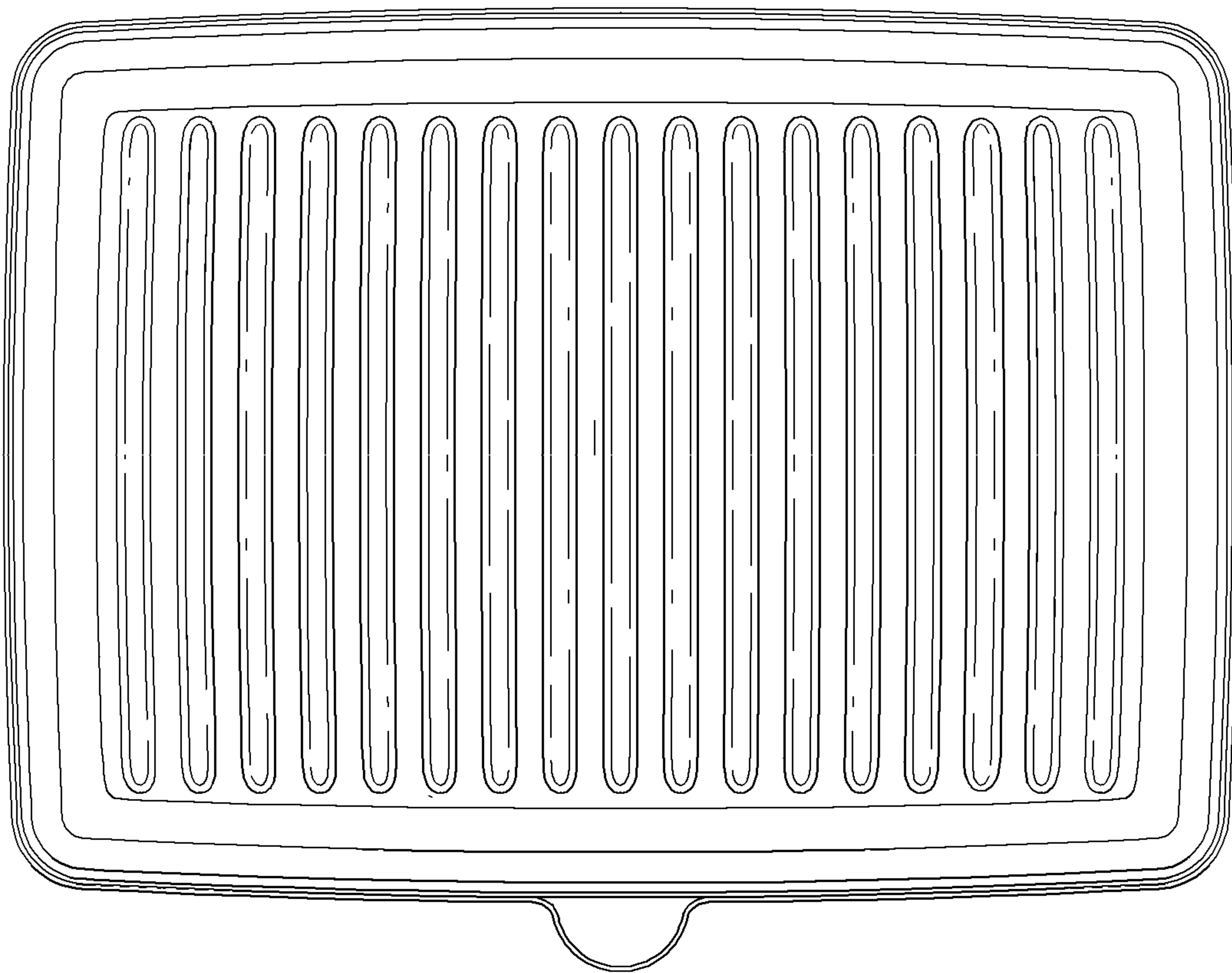


FIG. 7

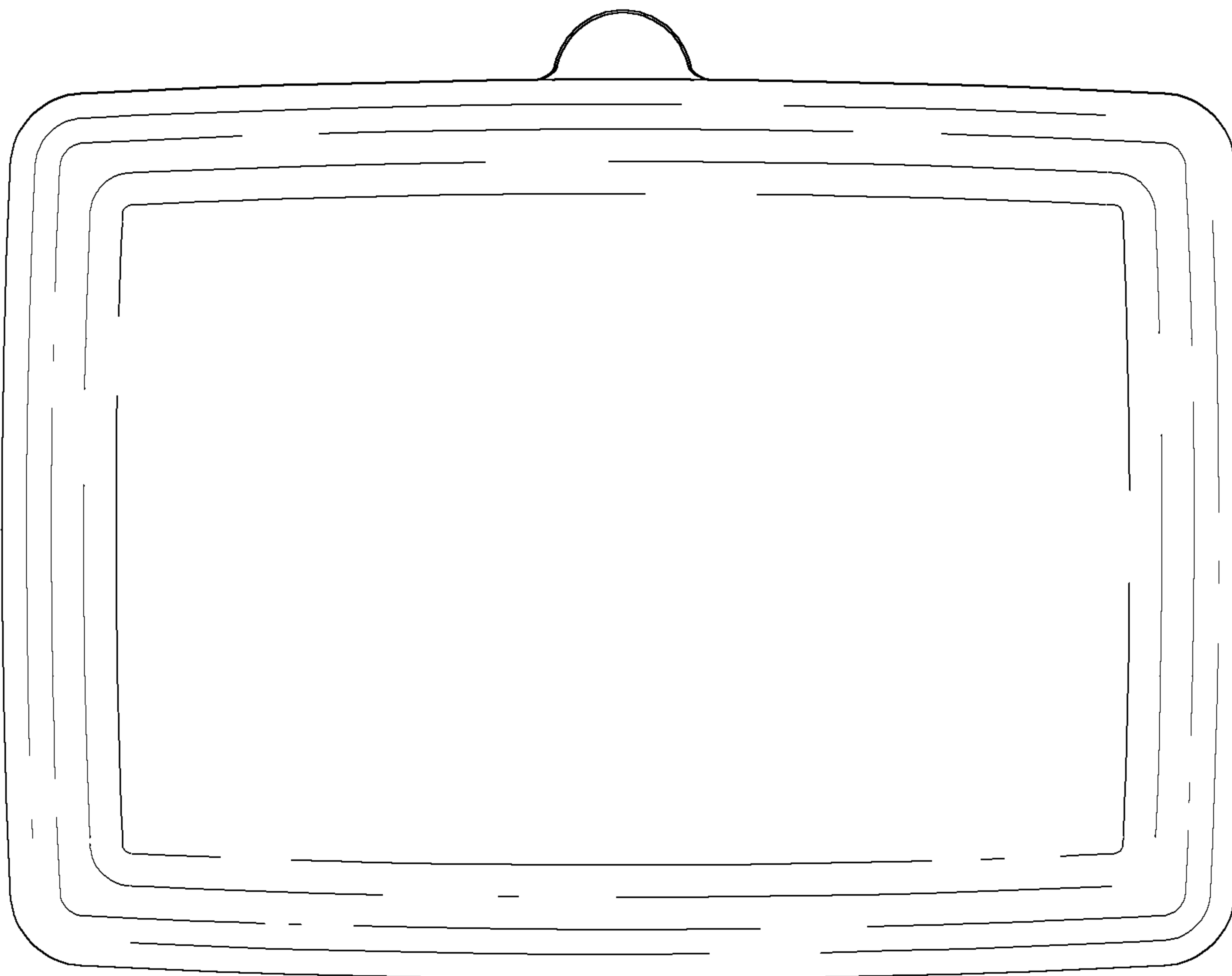


FIG. 8

