



US00D971667S

(12) **United States Design Patent**  
**Zhang**

(10) **Patent No.:** **US D971,667 S**

(45) **Date of Patent:** **\*\* Dec. 6, 2022**

- (54) **MICROWAVE HEATING BOWL**
- (71) Applicant: **Dingqian Zhang**, Hunan (CN)
- (72) Inventor: **Dingqian Zhang**, Hunan (CN)
- (\*\*) Term: **15 Years**

- D666,866 S \* 9/2012 Lion ..... D7/354
- D692,726 S 11/2013 Kinney
- D708,021 S 7/2014 Heiberg
- D708,910 S 7/2014 Heiberg
- D731,232 S \* 6/2015 Verkaik ..... D7/354
- D764,221 S 8/2016 Johnson
- D784,092 S \* 4/2017 Feldgreber ..... D7/628

(Continued)

- (21) Appl. No.: **29/838,500**
- (22) Filed: **May 13, 2022**
- (51) **LOC (13) Cl.** ..... **07-02**
- (52) **U.S. Cl.**  
USPC ..... **D7/357; D7/354; D7/360**
- (58) **Field of Classification Search**  
USPC ..... D7/323, 354–363, 391, 393–396, 409,  
D7/628; D21/594  
CPC ..... A47G 19/02; A47G 19/12; A47J 27/00;  
A47J 27/002; A47J 27/04; A47J 27/08;  
A47J 27/21; A47J 27/58; A47J 36/025;  
A47J 36/06; A47J 36/12; A47J 37/00;  
A47J 37/0786; A47J 37/10; A47J 37/101;  
A47J 37/103; A47J 37/12; A47J 37/1204;  
A47J 45/061; A47J 45/071; A47J 45/08;  
H05B 6/12; H05B 6/6494  
See application file for complete search history.

**OTHER PUBLICATIONS**

Hmzxsy Microwave Steamer Bowl for Cooking Food and Vegetables. Date First Available on Amazon.com May 17, 2022. <https://www.amazon.com/Microwave-Vegetables-Removable-Strainer-Multifunctional/dp/B0B1H8SN65/ref> (Year: 2022).\*

*Primary Examiner* — Ricky Pham  
(74) *Attorney, Agent, or Firm* — Rumit Ranjit Kanakia

(57) **CLAIM**

The ornamental design for a microwave heating bowl, as shown and described.

**DESCRIPTION**

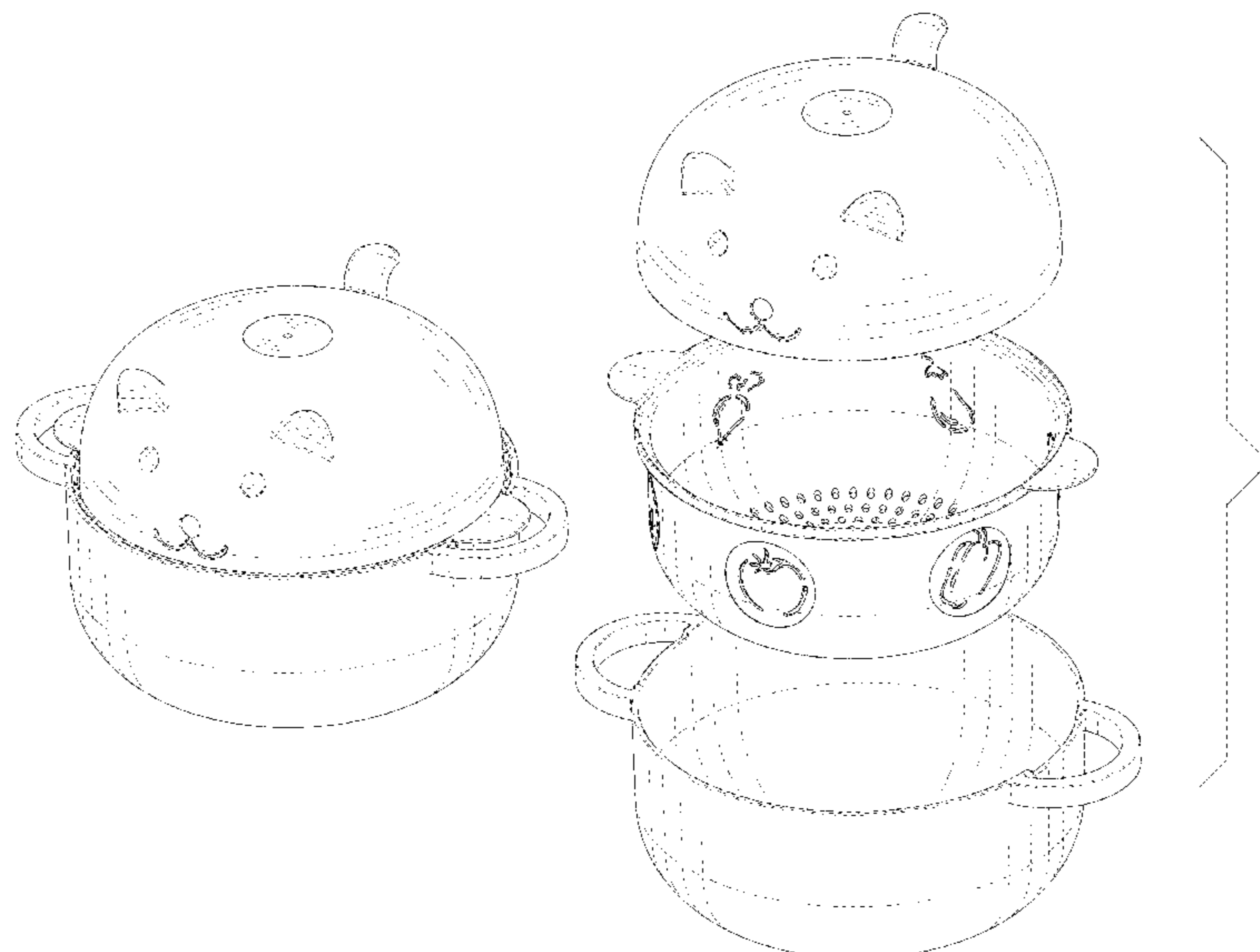
FIG. 1 is a perspective view of a microwave heating bowl, showing the first embodiment of my new design; FIG. 2 is another perspective view thereof; FIG. 3 is a front elevational view thereof; FIG. 4 is a rear elevational view thereof; FIG. 5 is a left side view thereof, the right side view being a mirror image of FIG. 5; FIG. 6 is a top plan view thereof; FIG. 7 is a bottom plan view thereof; FIG. 8 is a perspective view of a microwave heating bowl, showing the second embodiment of my new design; FIG. 9 is another perspective view thereof; FIG. 10 is a front elevational view thereof; FIG. 11 is a rear elevational view thereof; FIG. 12 is a left side view thereof; and, FIG. 13 is a right side view thereof.

**1 Claim, 11 Drawing Sheets**

(56) **References Cited**

**U.S. PATENT DOCUMENTS**

- 5,287,798 A \* 2/1994 Takeda ..... A47J 27/04  
99/413
- D345,400 S \* 3/1994 Pachol ..... D21/585
- D479,441 S 9/2003 Whitworth
- D523,687 S \* 6/2006 Jian ..... D7/360
- D572,523 S \* 7/2008 Baker ..... D7/360
- D572,524 S \* 7/2008 Baker ..... D7/360
- D589,295 S \* 3/2009 Rohrer ..... D7/360
- D597,793 S 8/2009 Krueger
- D600,979 S 9/2009 Chen
- D603,222 S 11/2009 Krueger
- D618,490 S \* 6/2010 Li ..... D7/354
- D634,970 S 3/2011 Pallotto



(56)

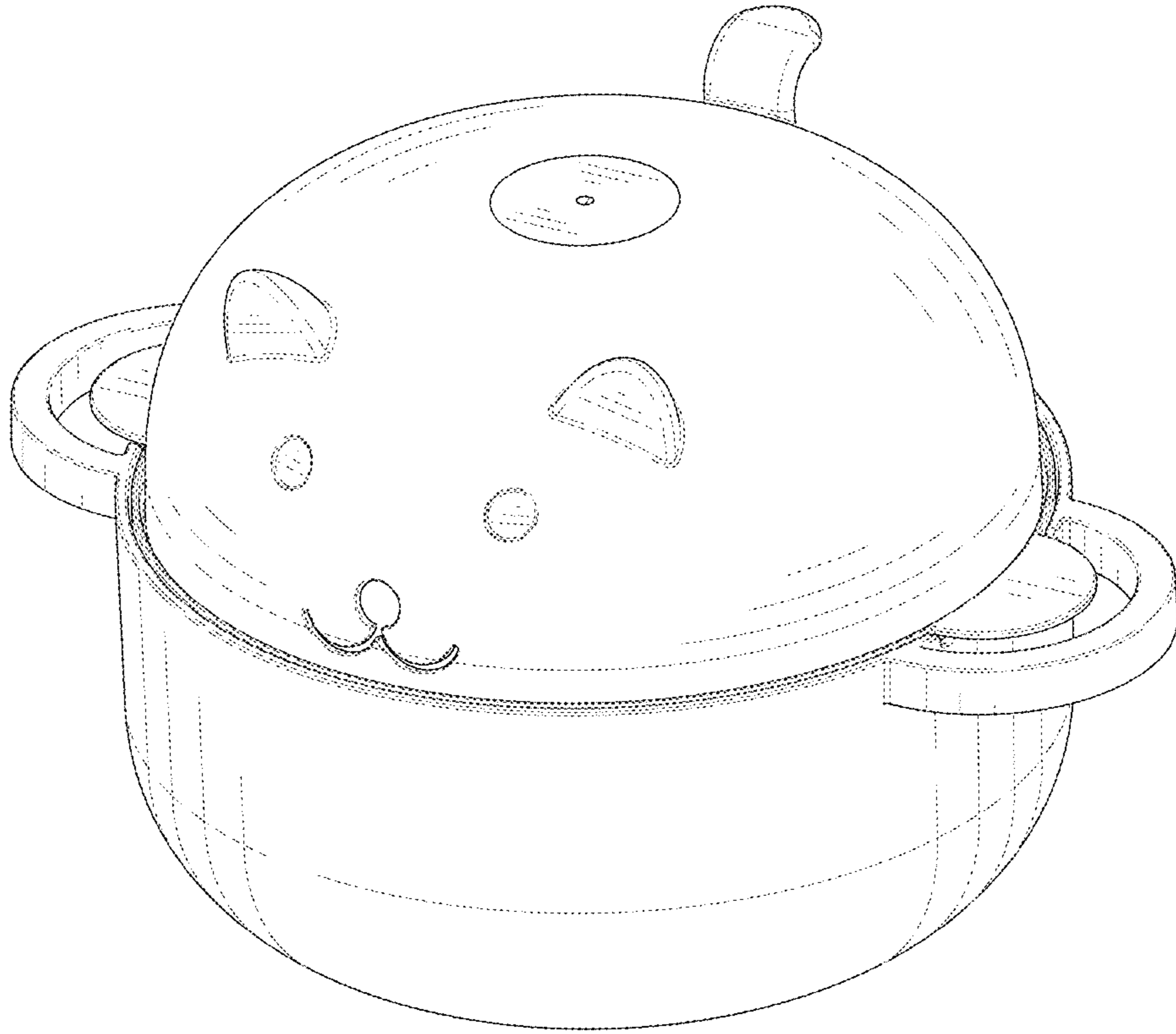
**References Cited**

U.S. PATENT DOCUMENTS

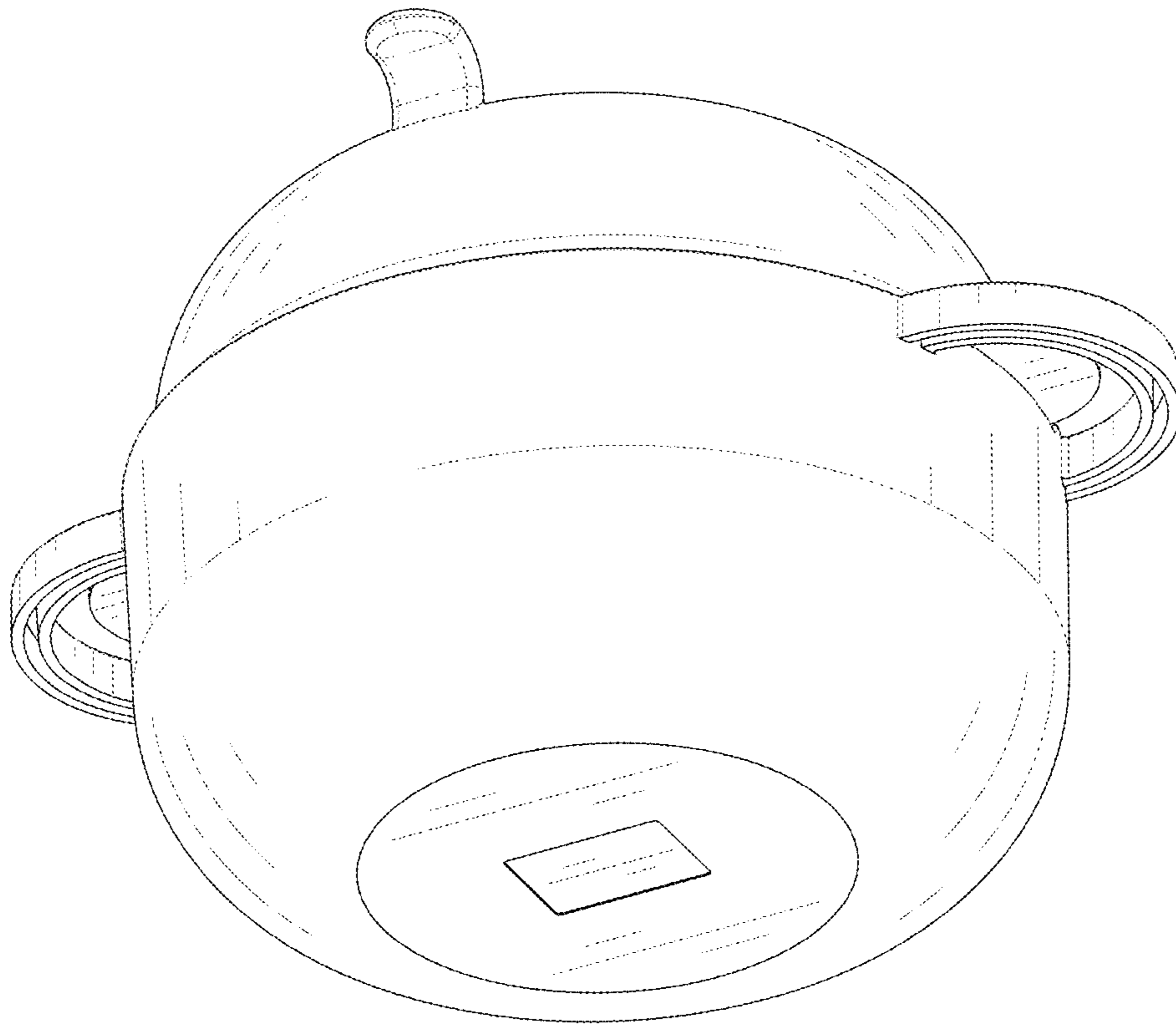
D797,492 S \* 9/2017 Shieh ..... A47J 27/04  
D7/354

D876,881 S 3/2020 Mattei

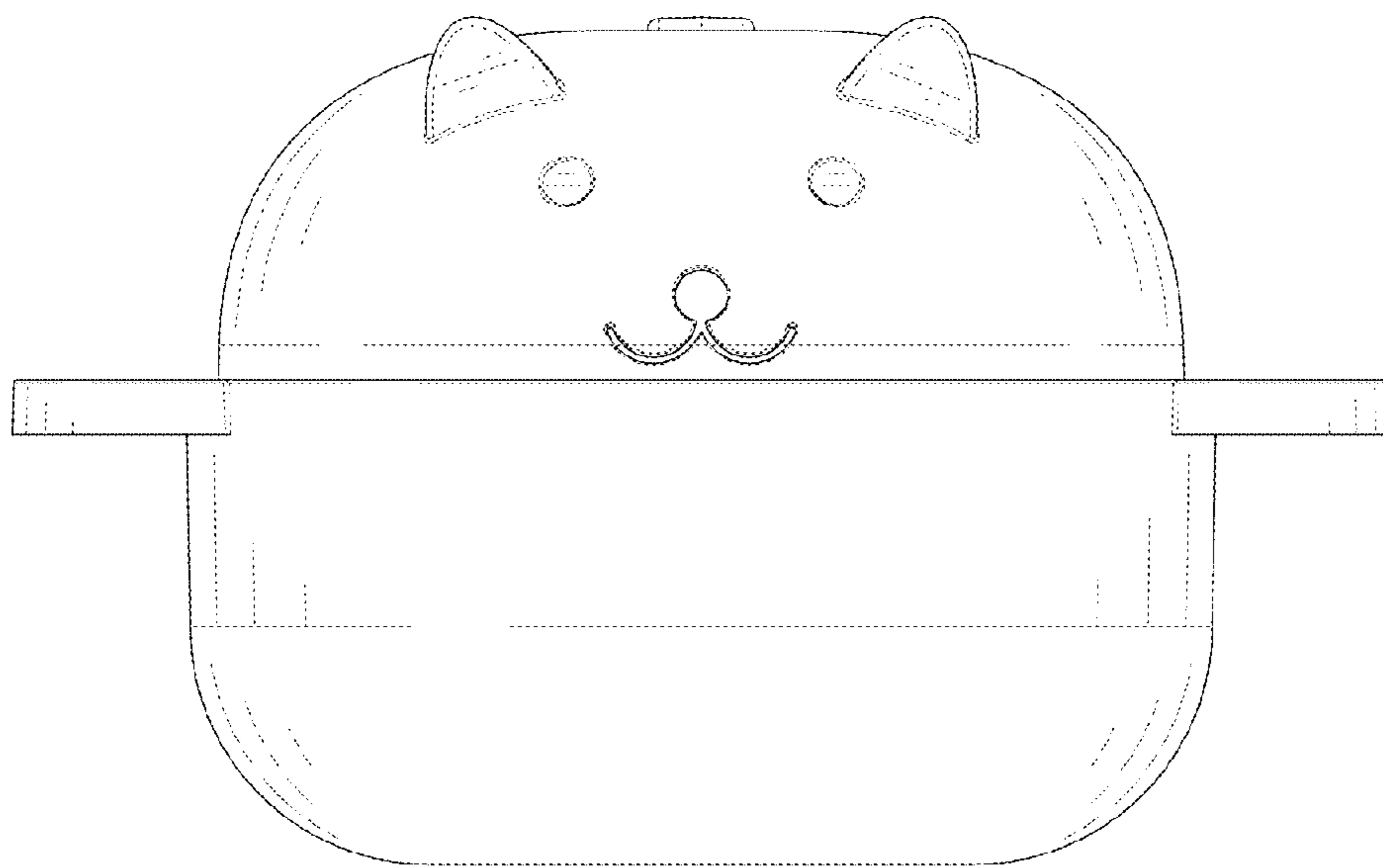
\* cited by examiner



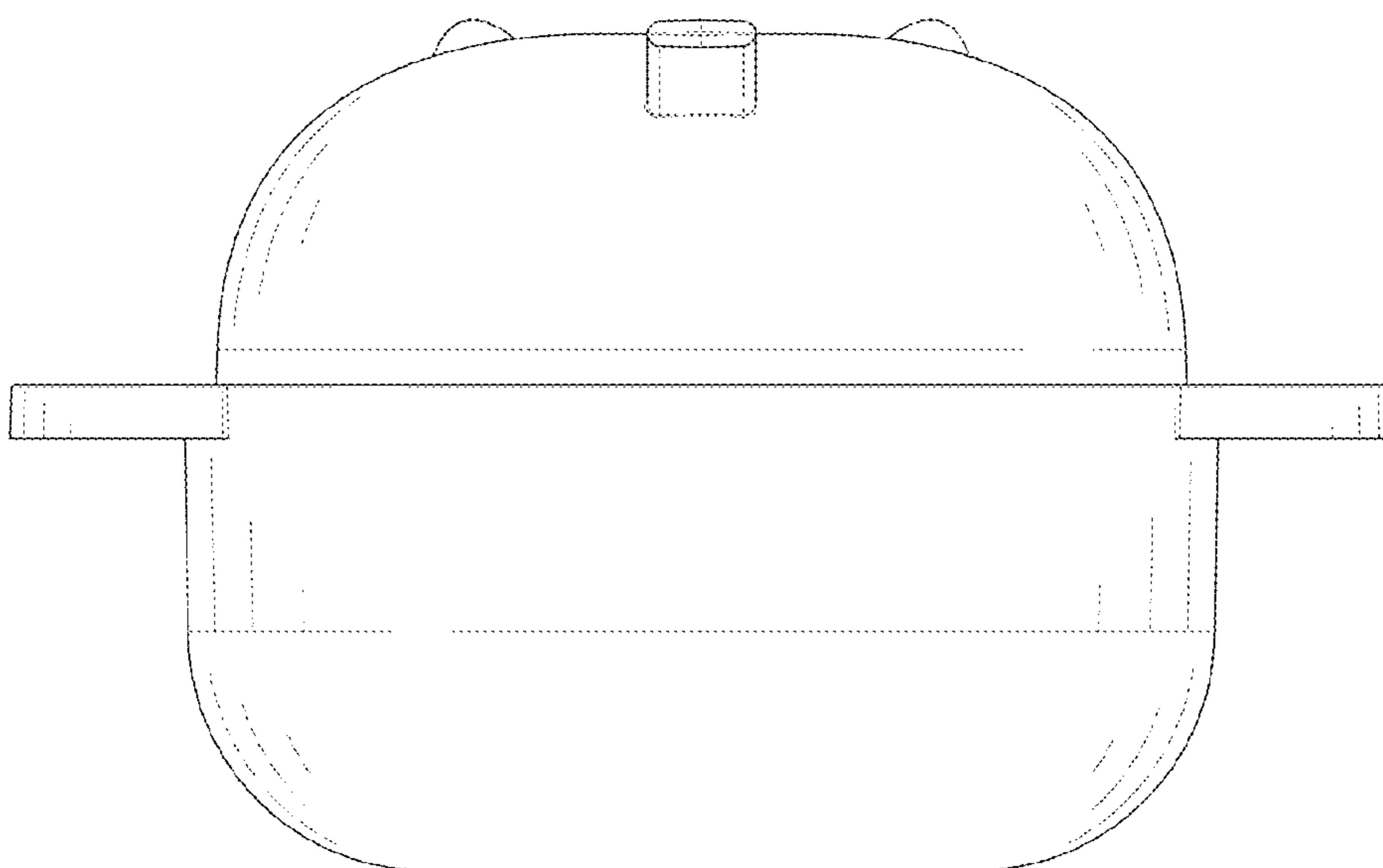
**FIG. 1**



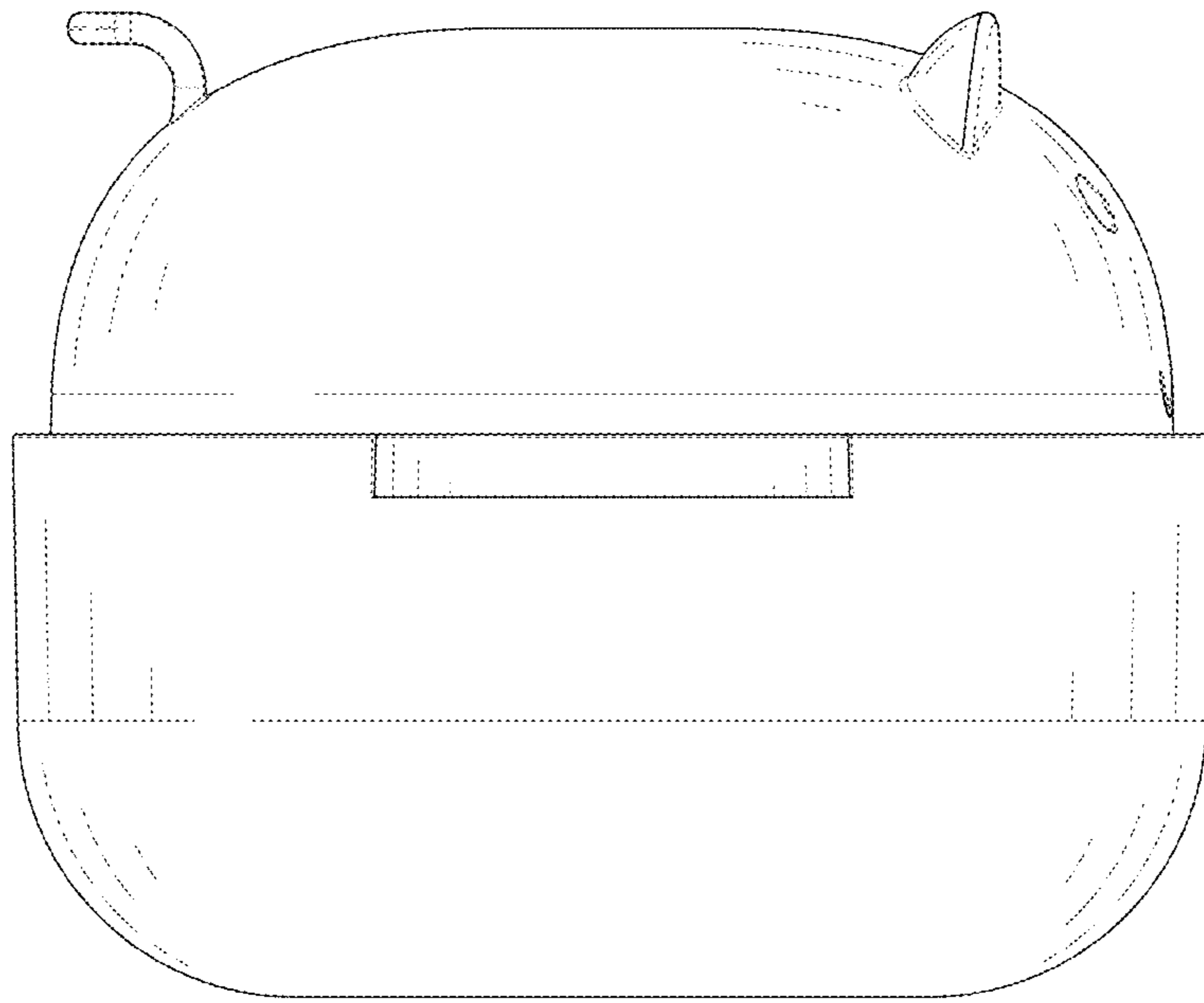
**FIG. 2**



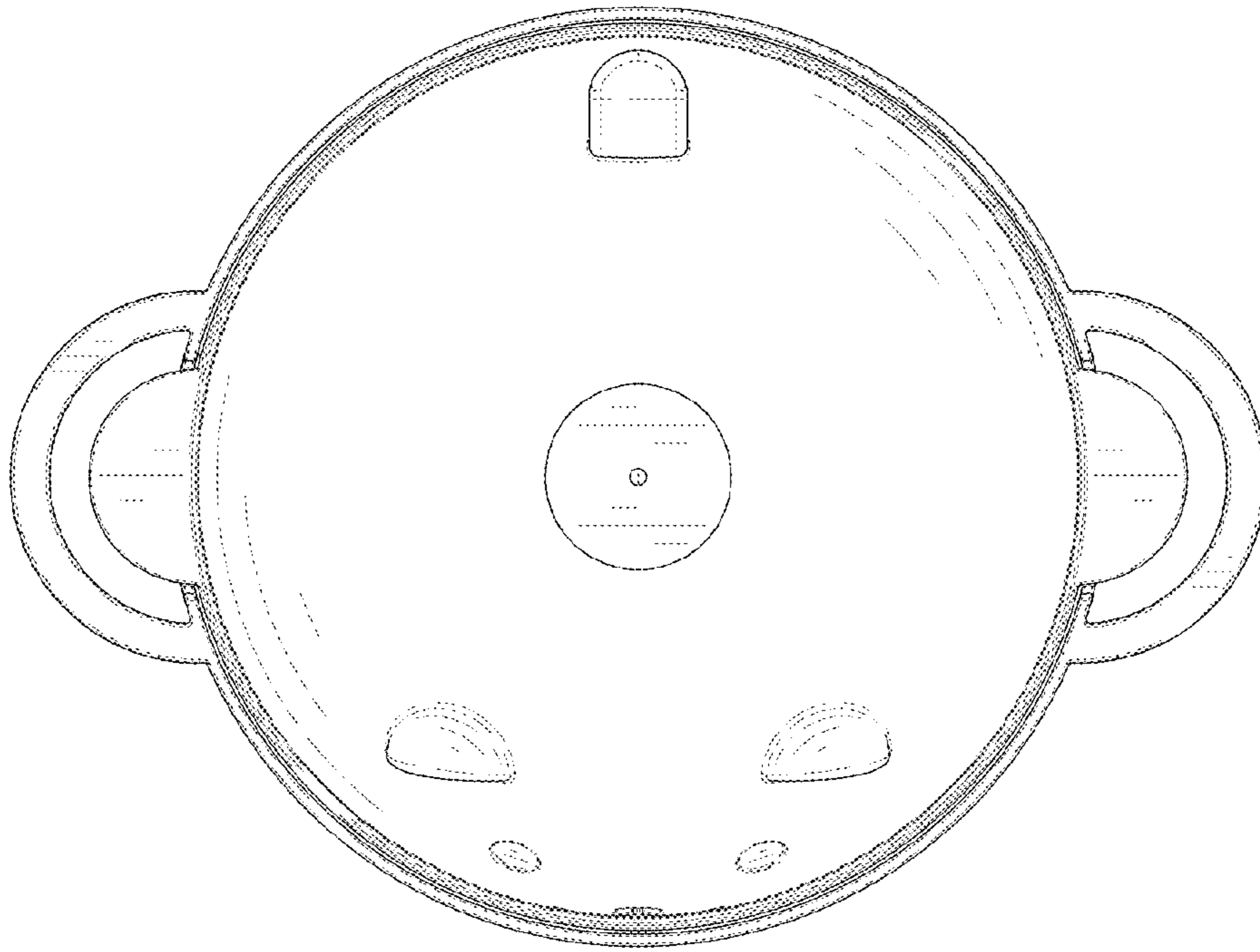
**FIG. 3**



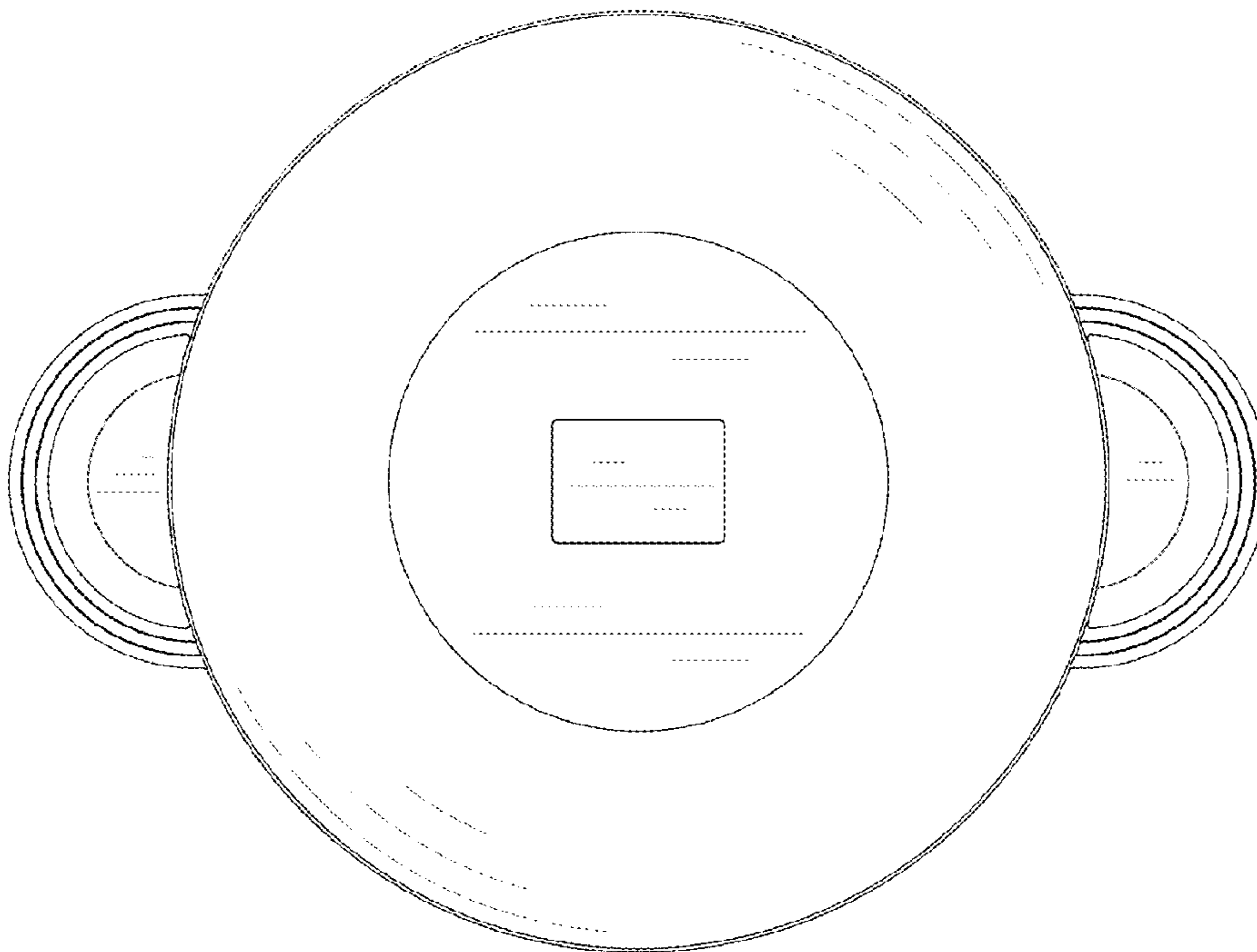
**FIG. 4**



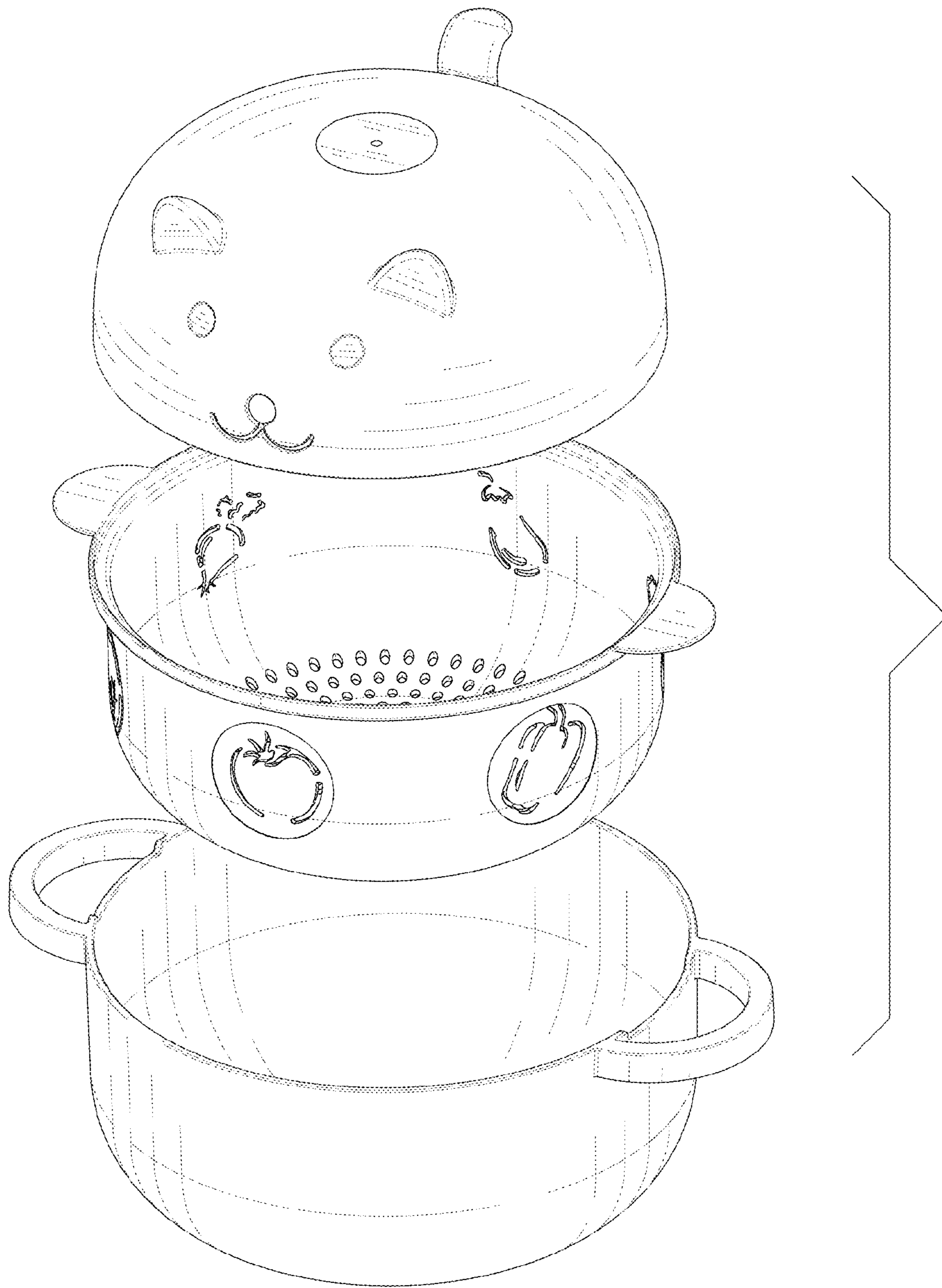
***FIG. 5***



**FIG. 6**

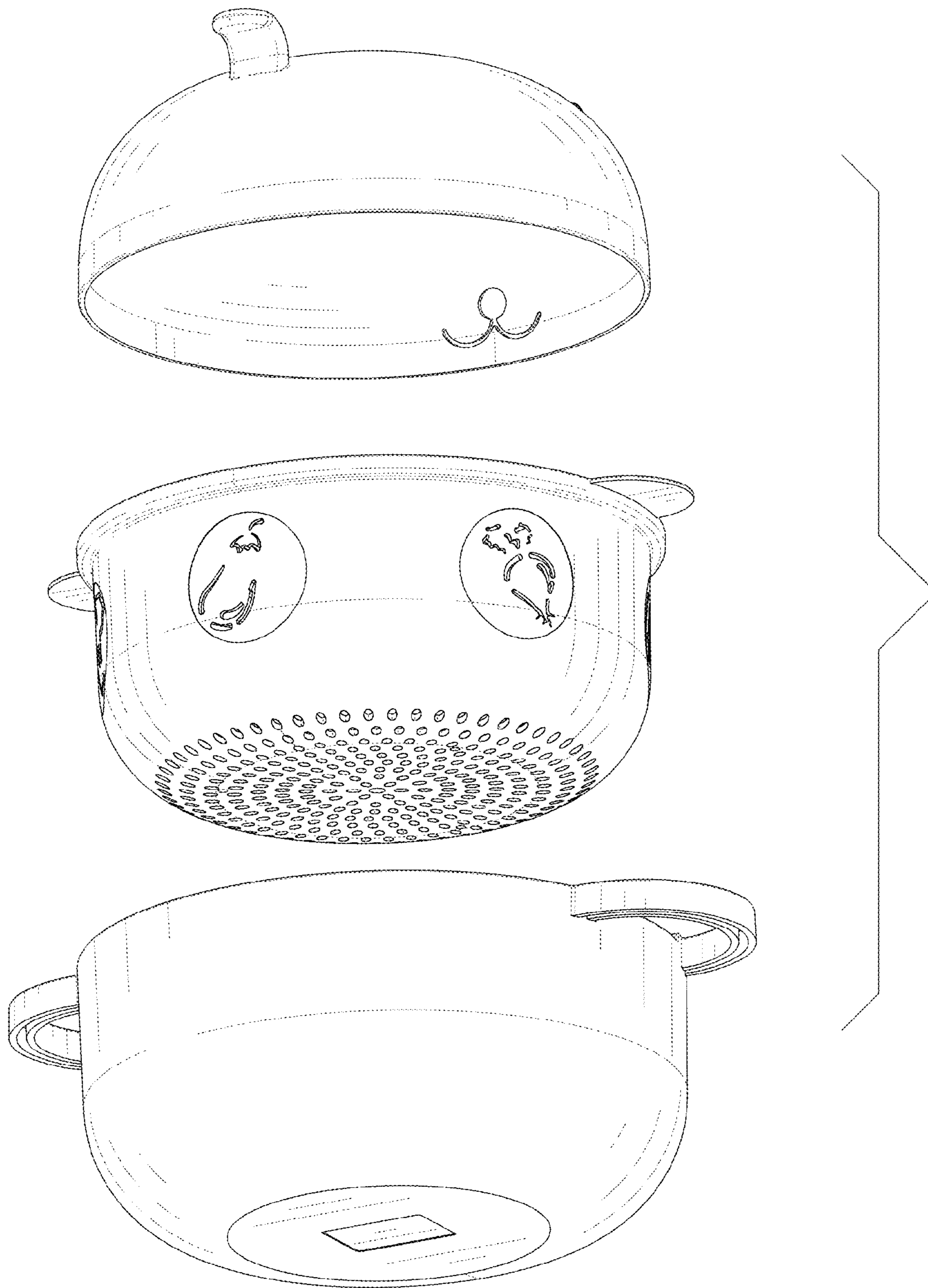


**FIG. 7**

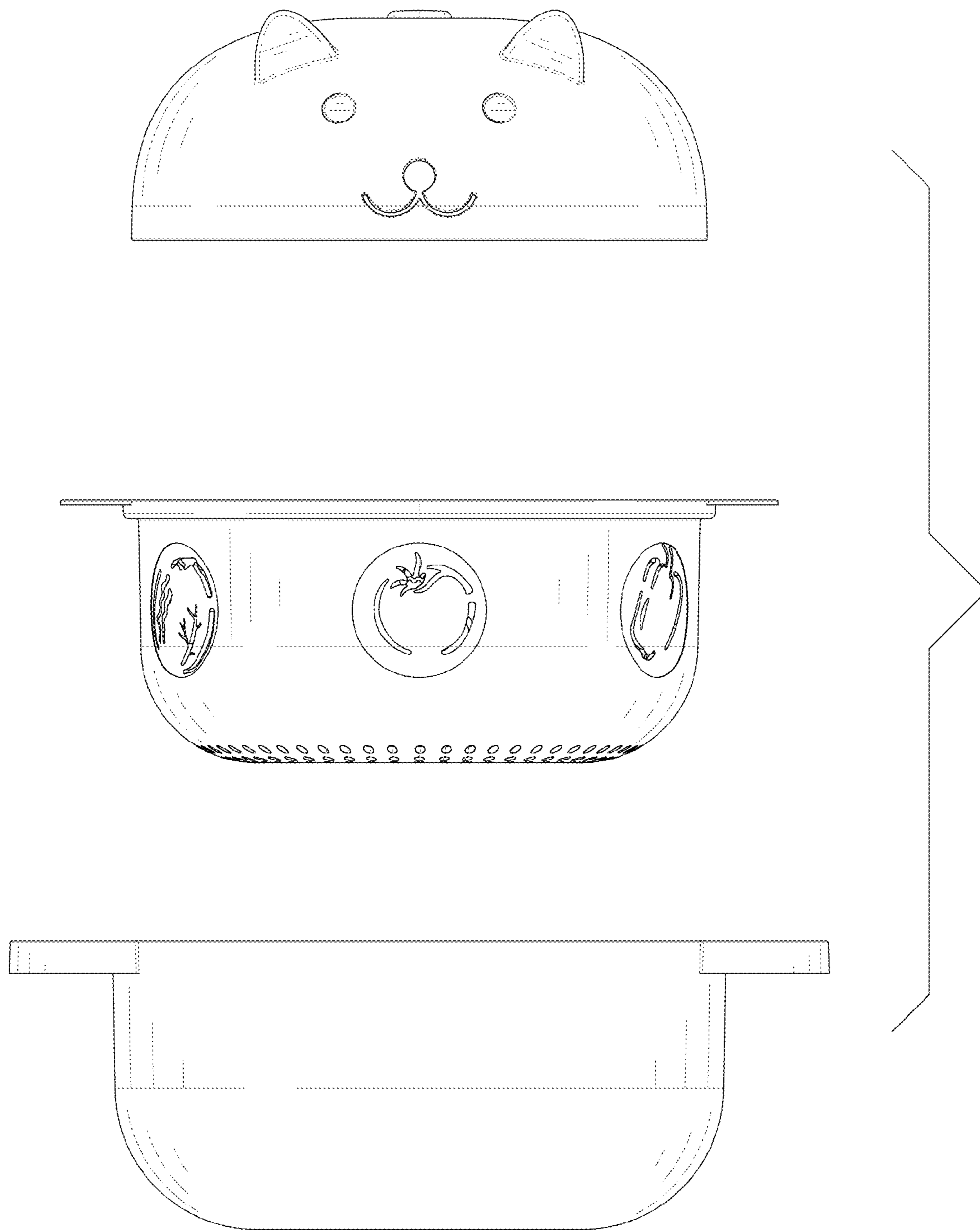


**FIG. 8**

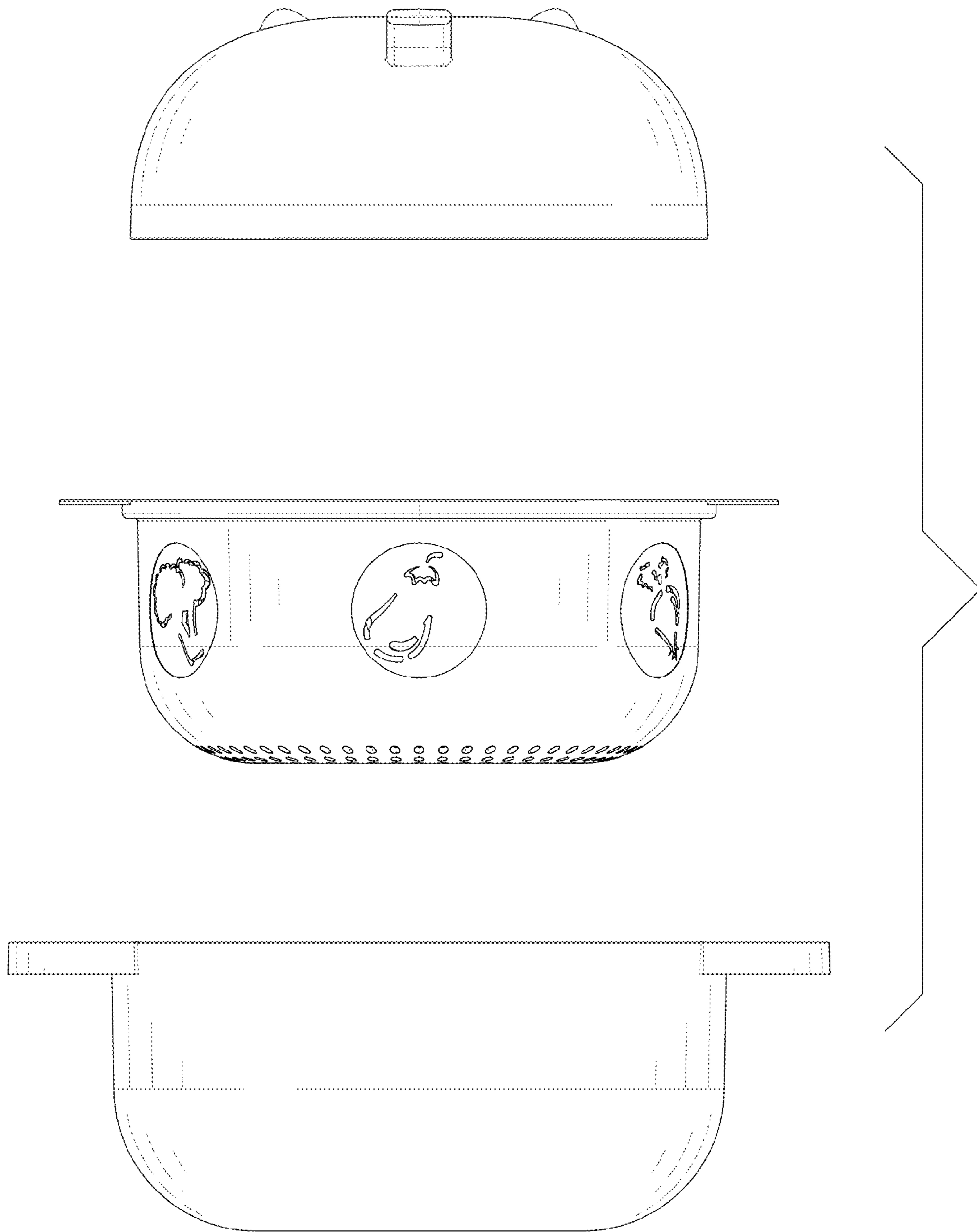




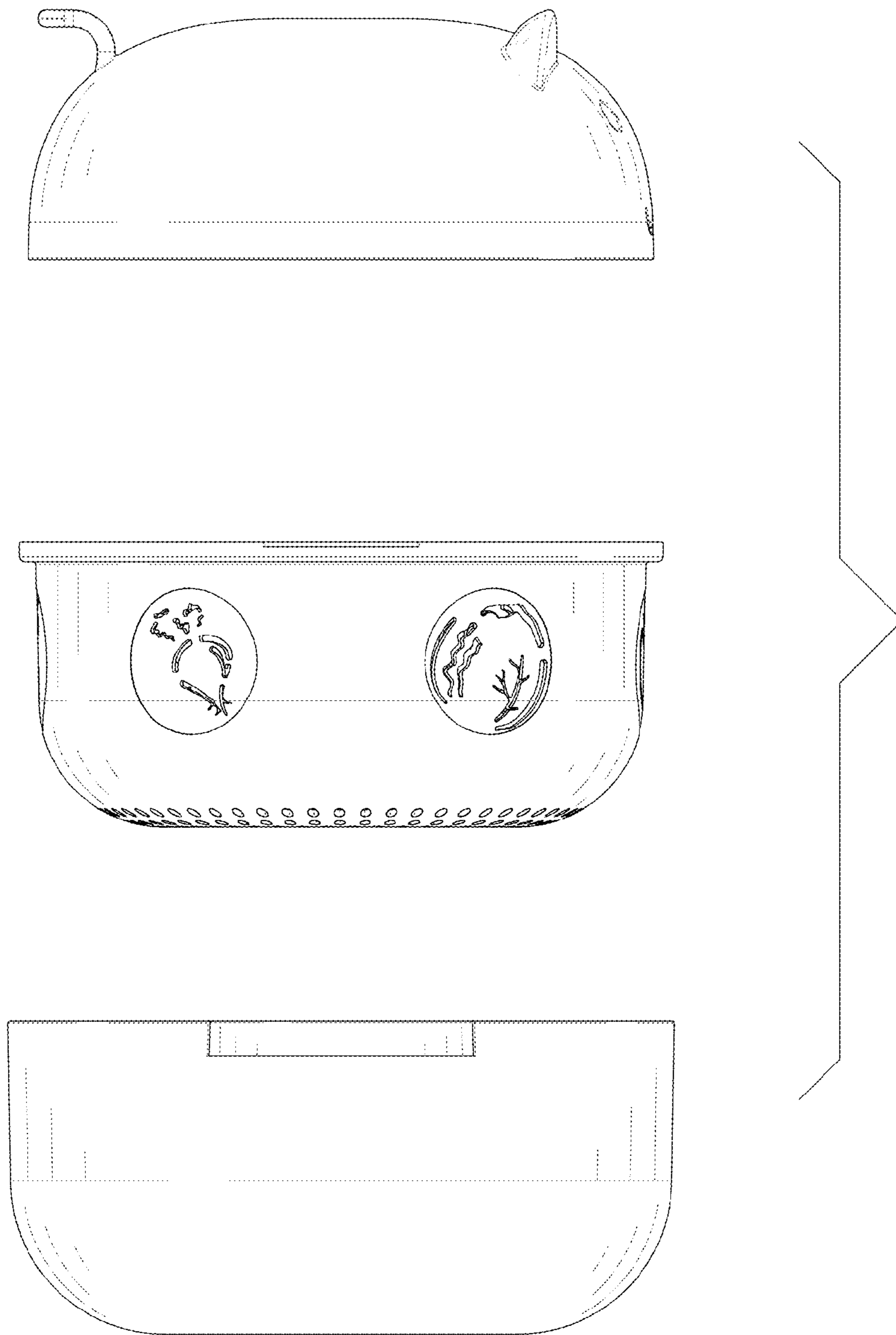
**FIG. 9**



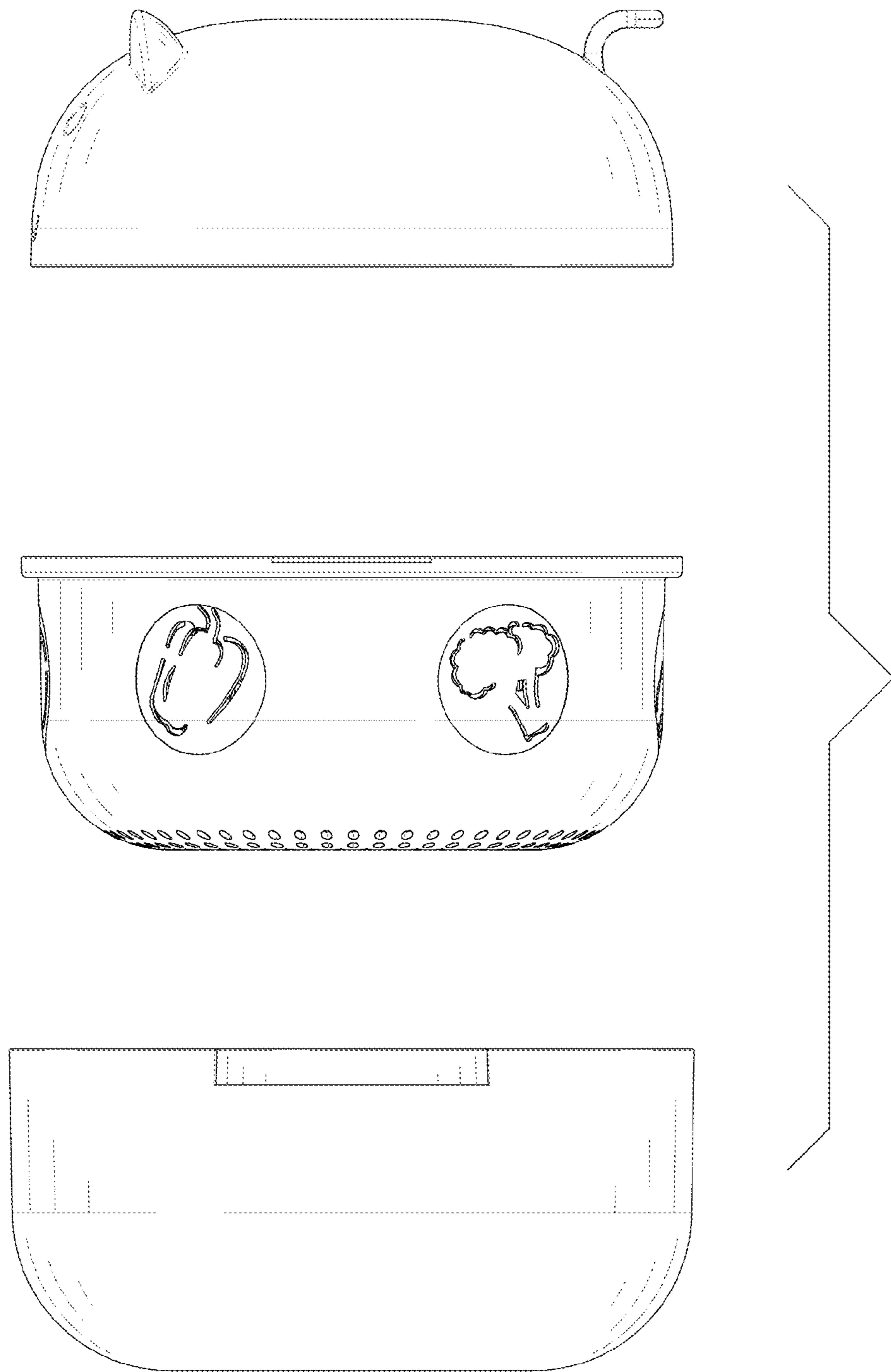
**FIG. 10**



**FIG. 11**



**FIG. 12**



**FIG. 13**