



US00D971665S

(12) **United States Design Patent**
Ryu et al.

(10) **Patent No.:** **US D971,665 S**
(45) **Date of Patent:** **** Dec. 6, 2022**

(54) **OVEN RANGE**
(71) Applicant: **LG ELECTRONICS INC.**, Seoul (KR)
(72) Inventors: **Inhwan Ryu**, Seoul (KR); **Hongsik Kwon**, Seoul (KR); **Suhyeon Son**, Seoul (KR)
(73) Assignee: **LG ELECTRONICS INC.**, Seoul (KR)

D786,006 S * 5/2017 Chung D7/340
D787,255 S * 5/2017 Cho D7/340
D787,256 S * 5/2017 Cho D7/340
D808,707 S * 1/2018 Kim D7/340
D817,685 S * 5/2018 Incukur D7/340
D854,367 S * 7/2019 Kim D7/340
D859,054 S * 9/2019 Kim D7/340
D862,168 S * 10/2019 Kim D7/406

(Continued)

(**) Term: **15 Years**

(21) Appl. No.: **29/752,988**

(22) Filed: **Sep. 29, 2020**

(30) **Foreign Application Priority Data**

Apr. 21, 2020 (KR) 30-2020-0017656

(51) **LOC (13) Cl.** **07-02**

(52) **U.S. Cl.**
USPC **D7/348**

(58) **Field of Classification Search**
USPC D7/323, 329, 339, 340, 341, 346, 347, D7/348, 350.1, 362, 365, 402, 405, 406, D7/407, 408; D21/523-525; D23/397, D23/402, 415
CPC A21B 2/00; A47J 37/00; A47J 37/0807; F24C 1/00; F24C 3/00; F24C 3/002; F24C 7/00; F24C 7/002; F24C 7/046; F24C 7/062; F24C 7/067; F24C 15/024; F24C 15/162; F24C 15/00; F24C 15/022; F24C 15/102

See application file for complete search history.

(56) **References Cited**

U.S. PATENT DOCUMENTS

D755,563 S * 5/2016 Kim D7/406
D781,096 S * 3/2017 Kim D7/340
D786,005 S * 5/2017 Kim D7/340

FOREIGN PATENT DOCUMENTS

WO WOD204762-001 * 10/2019

OTHER PUBLICATIONS

Cosmo Freestanding Gas Range, posted at Amazon.com on May 14, 2020, [site visited Jan. 25, 2022]. Available from internet, URL: <https://www.amazon.com/dp/B088MMCLYX/> (Year: 2020).*

(Continued)

Primary Examiner — Andrew Kerr
Assistant Examiner — Chariton Alexakis
(74) *Attorney, Agent, or Firm* — Birch, Stewart, Kolasch & Birch, LLP

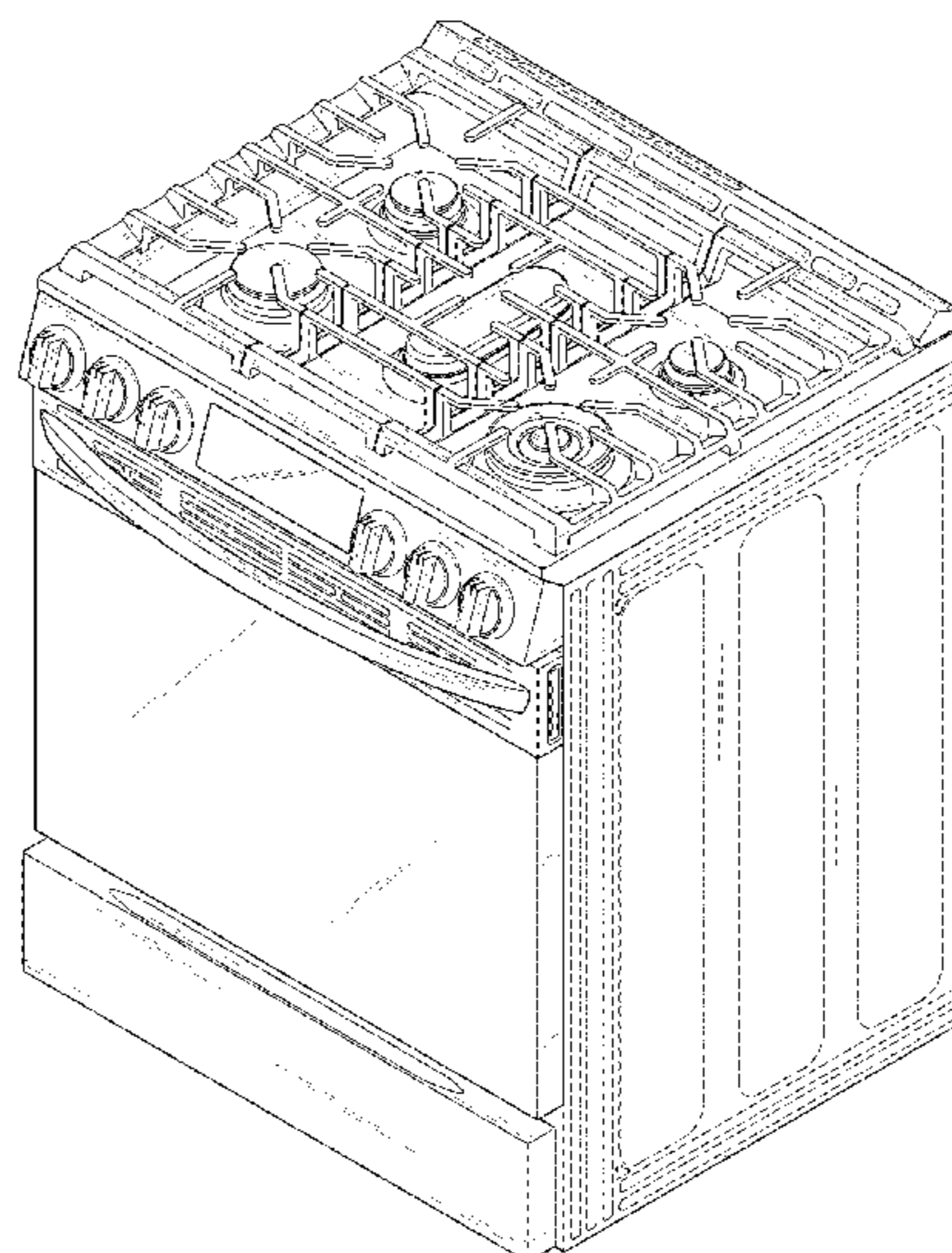
(57) **CLAIM**

We claim the ornamental design for an oven range, as shown and described.

DESCRIPTION

FIG. 1 is a perspective view of an oven range showing our new design;
FIG. 2 is a front elevation view thereof;
FIG. 3 is a rear elevation view thereof;
FIG. 4 is a left-side elevation view thereof;
FIG. 5 is a right-side elevation view thereof;
FIG. 6 is a top plan view thereof; and,
FIG. 7 is a bottom plan view thereof.
The broken lines represent portions of the oven range that form no part of the claimed design.

1 Claim, 7 Drawing Sheets



(56)

References Cited

U.S. PATENT DOCUMENTS

D862,982 S * 10/2019 Kim D7/406
D874,220 S * 2/2020 Kim D7/406
D874,221 S * 2/2020 Kim D7/406
D922,122 S * 6/2021 Ryu D7/340
2019/0003717 A1 * 1/2019 Park F24C 7/06

OTHER PUBLICATIONS

LG Convection Oven Gas Range, posted at lg.com, date not available, [site visited Jan. 25, 2022]. Available from internet, URL: <https://www.lg.com/us/cooking-appliances/lg-lsgl5833f-gas-range> (Year: NA).*

* cited by examiner

FIG. 1

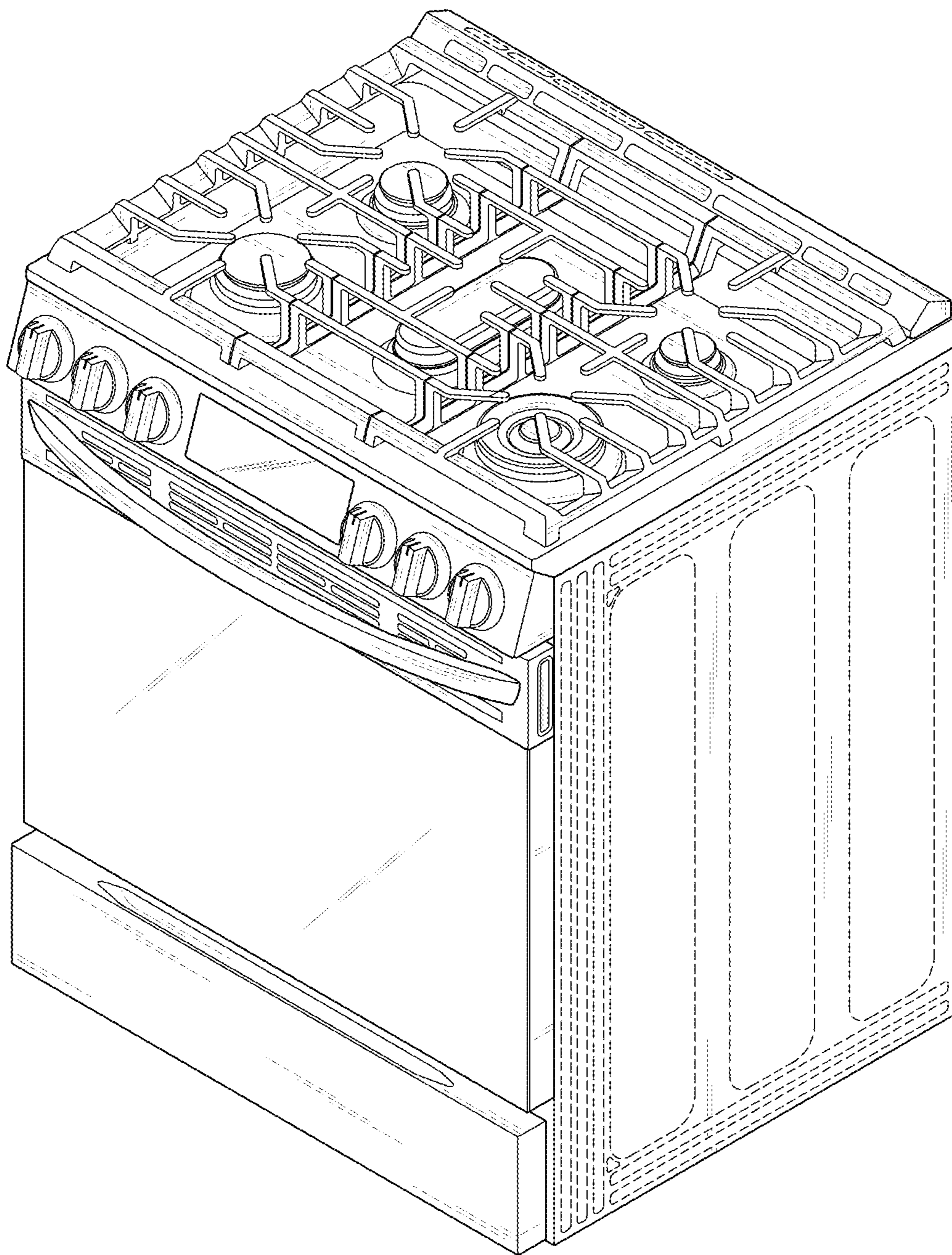


FIG. 2

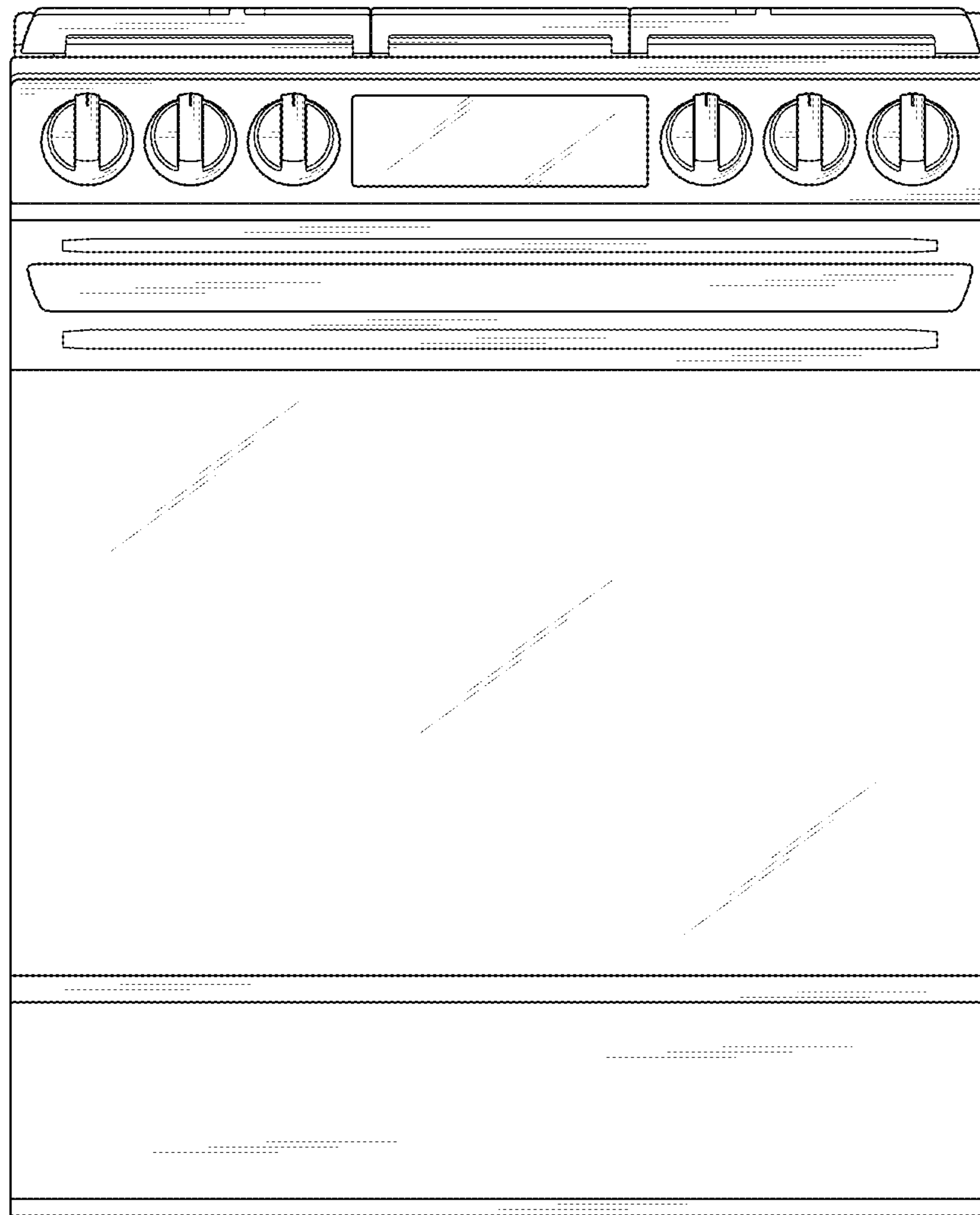


FIG. 3



FIG. 4

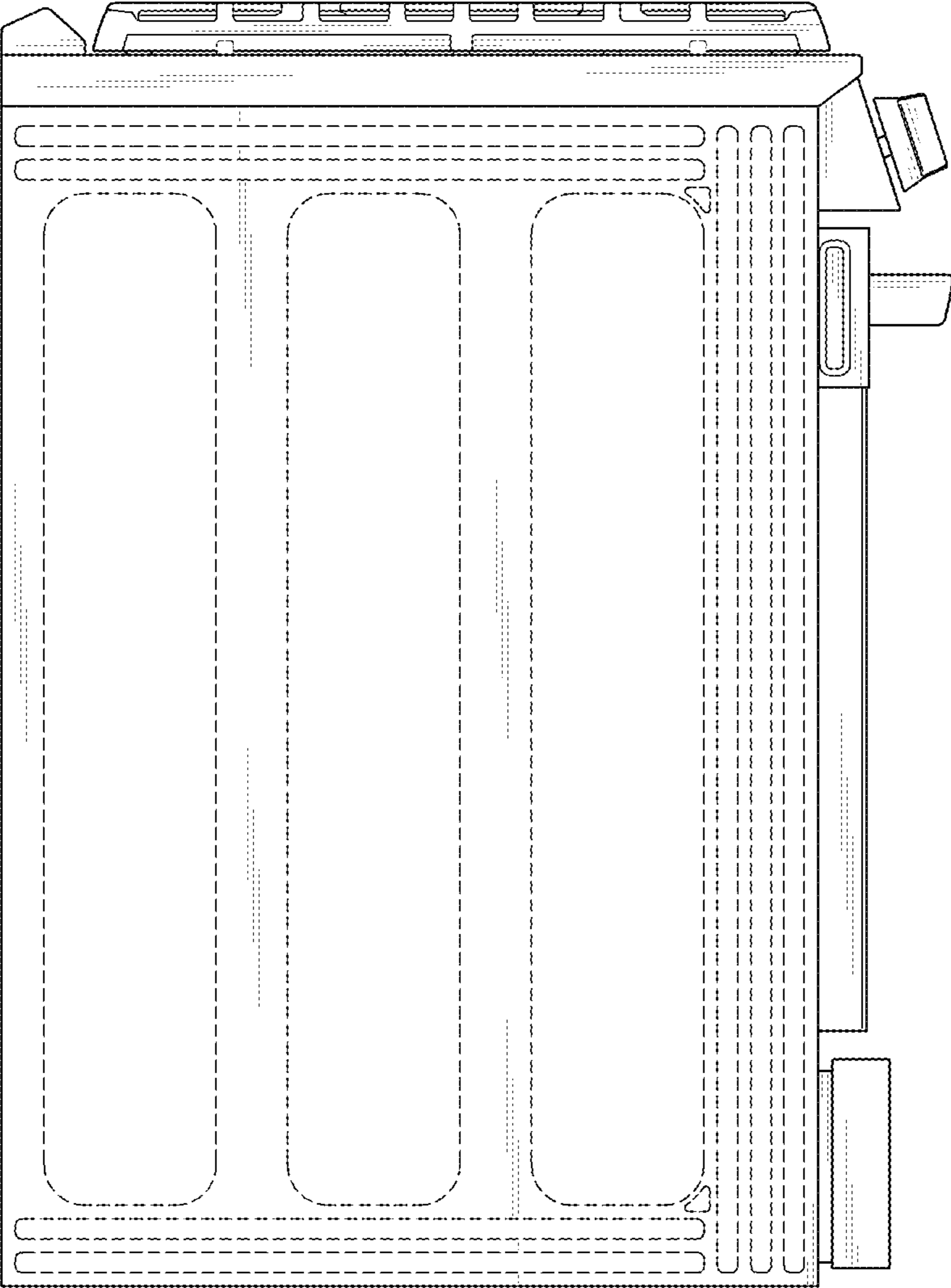


FIG. 5

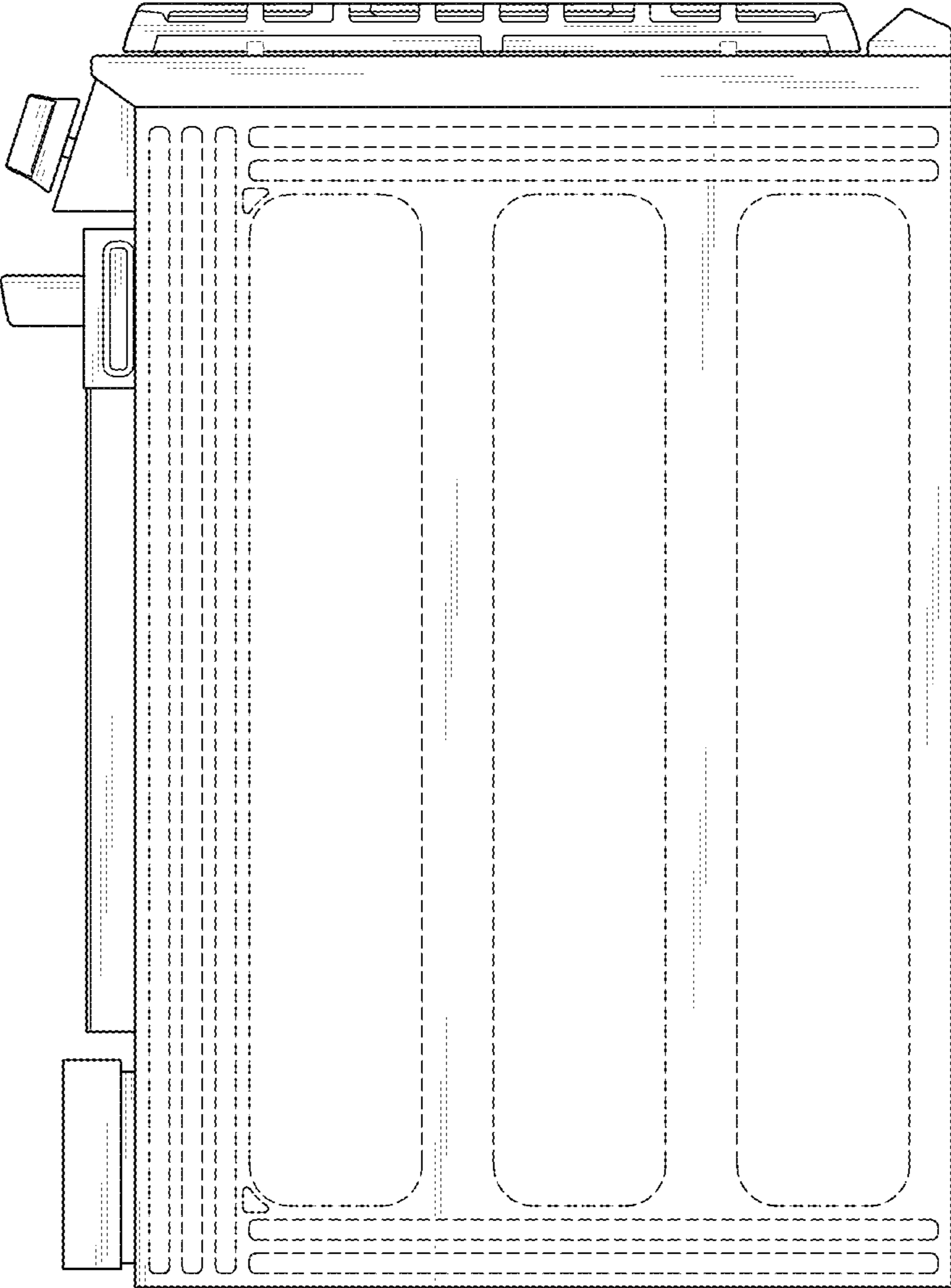


FIG. 6

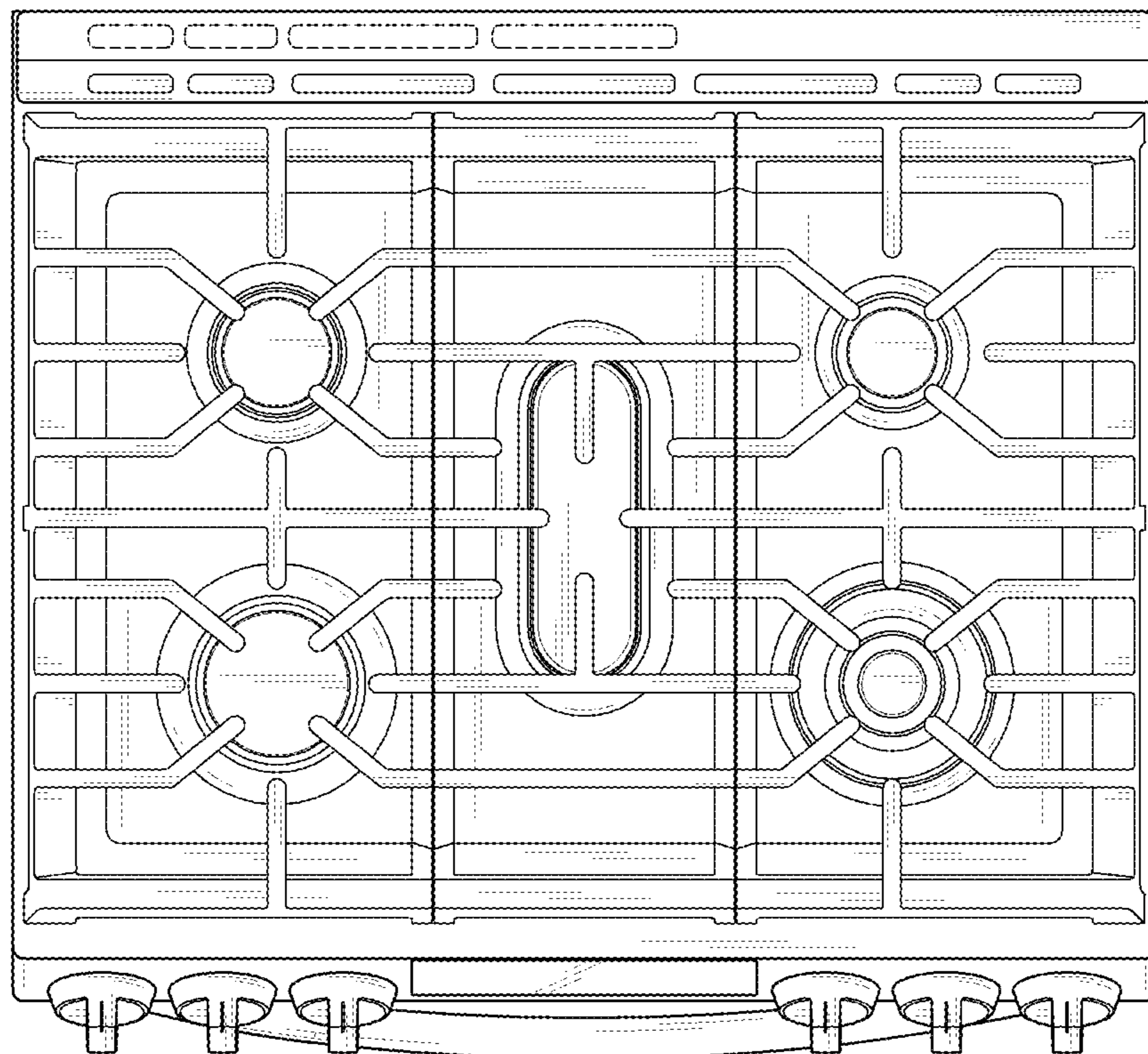


FIG. 7

