



US00D971664S

(12) **United States Design Patent** (10) **Patent No.:** **US D971,664 S**  
**Ryu et al.** (45) **Date of Patent:** **\*\* Dec. 6, 2022**

(54) **OVEN RANGE**  
(71) Applicant: **LG ELECTRONICS INC.**, Seoul (KR)  
(72) Inventors: **Inhwan Ryu**, Seoul (KR); **Hongsik Kwon**, Seoul (KR); **Suhyeon Son**, Seoul (KR)  
(73) Assignee: **LG ELECTRONICS INC.**, Seoul (KR)

D786,006 S \* 5/2017 Chung ..... D7/340  
D787,255 S \* 5/2017 Cho ..... D7/340  
D787,256 S \* 5/2017 Cho ..... D7/340  
D808,707 S \* 1/2018 Kim ..... D7/340  
D817,685 S \* 5/2018 Incukur ..... D7/340  
D854,367 S \* 7/2019 Kim ..... D7/340  
D859,054 S \* 9/2019 Kim ..... D7/340

(Continued)

**FOREIGN PATENT DOCUMENTS**

EM D091266-016 \* 1/2016

(\*\*) Term: **15 Years**

**OTHER PUBLICATIONS**

(21) Appl. No.: **29/752,808**  
(22) Filed: **Sep. 29, 2020**

LG Gas Range—Convection, posted at Amazon.com on Jan. 15, 2016, [site visited Jan. 24, 2022]. Available from internet, URL: <https://www.amazon.com/LG-LSG4513ST-Stainless-Slide-Sealed/dp/B0164BQFES/> (Year: 2016).\*

(Continued)

(30) **Foreign Application Priority Data**

Apr. 21, 2020 (KR) ..... 30-2020-0017661

(51) **LOC (13) Cl.** ..... **07-02**

(52) **U.S. Cl.**  
USPC ..... **D7/348**

(58) **Field of Classification Search**  
USPC ..... D7/323, 329, 339, 340, 341, 346, 347, D7/348, 350.1, 362, 365, 402, 405, 406, D7/407, 408; D21/523–525; D23/397, D23/402, 415  
CPC ..... A21B 2/00; A47J 37/00; A47J 37/0807; F24C 1/00; F24C 3/00; F24C 3/002; F24C 7/00; F24C 7/002; F24C 7/046; F24C 7/062; F24C 7/067; F24C 15/024; F24C 15/162; F24C 15/00; F24C 15/022; F24C 15/102

See application file for complete search history.

*Primary Examiner* — Andrew Kerr

*Assistant Examiner* — Chariton Alexakis

(74) *Attorney, Agent, or Firm* — Birch, Stewart, Kolasch & Birch, LLP

(57) **CLAIM**

We claim the ornamental design for an oven range, as shown and described.

**DESCRIPTION**

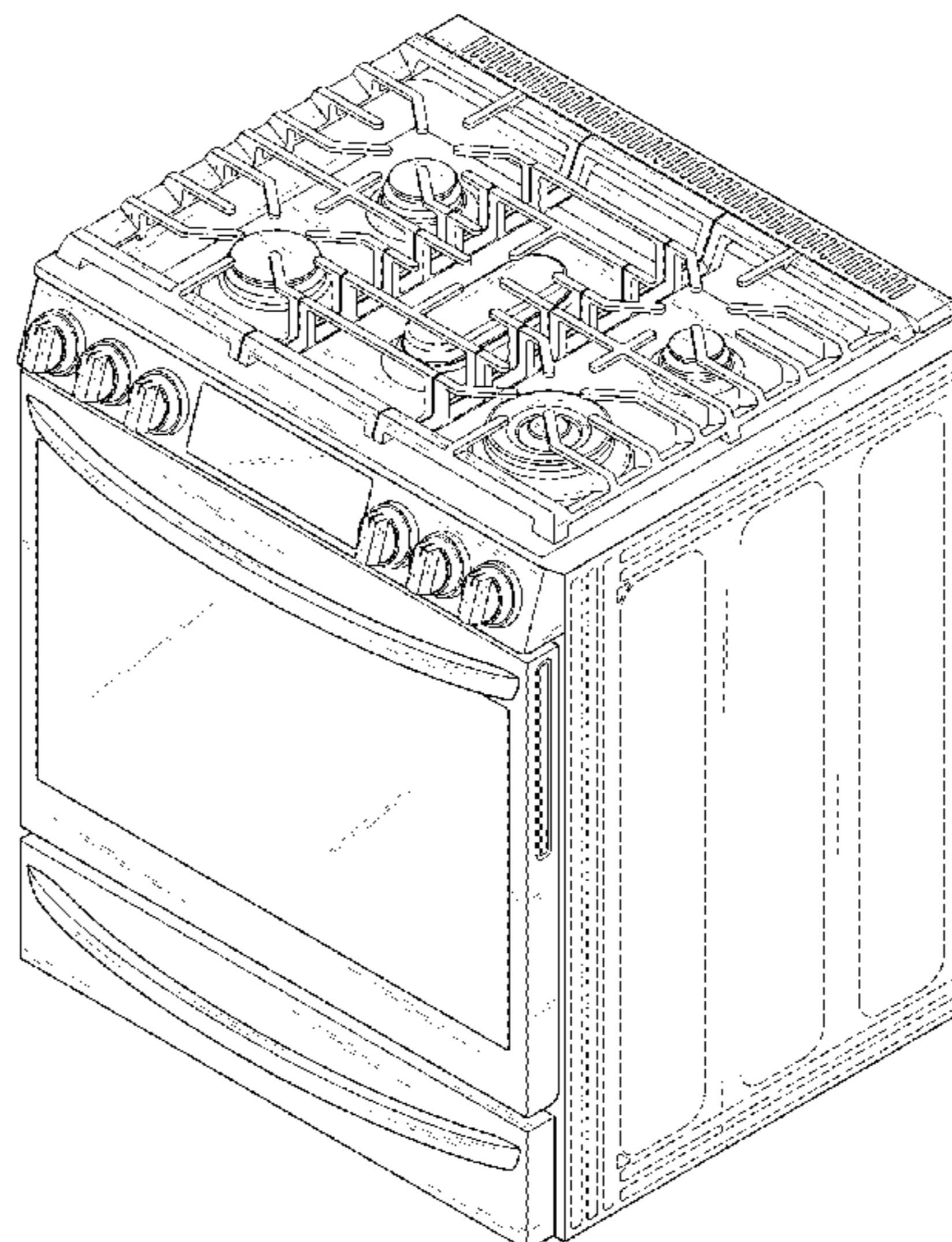
FIG. 1 is a perspective view of an oven range showing our new design;  
FIG. 2 is a front elevation view thereof;  
FIG. 3 is a rear elevation view thereof;  
FIG. 4 is a left-side elevation view thereof;  
FIG. 5 is a right-side elevation view thereof;  
FIG. 6 is a top plan view thereof; and,  
FIG. 7 is a bottom plan view thereof.  
The broken lines represent portions of the oven range that form no part of the claimed design.

(56) **References Cited**

**U.S. PATENT DOCUMENTS**

D755,563 S \* 5/2016 Kim ..... D7/406  
D781,096 S \* 3/2017 Kim ..... D7/340  
D786,005 S \* 5/2017 Kim ..... D7/340

**1 Claim, 7 Drawing Sheets**



(56)

**References Cited**

U.S. PATENT DOCUMENTS

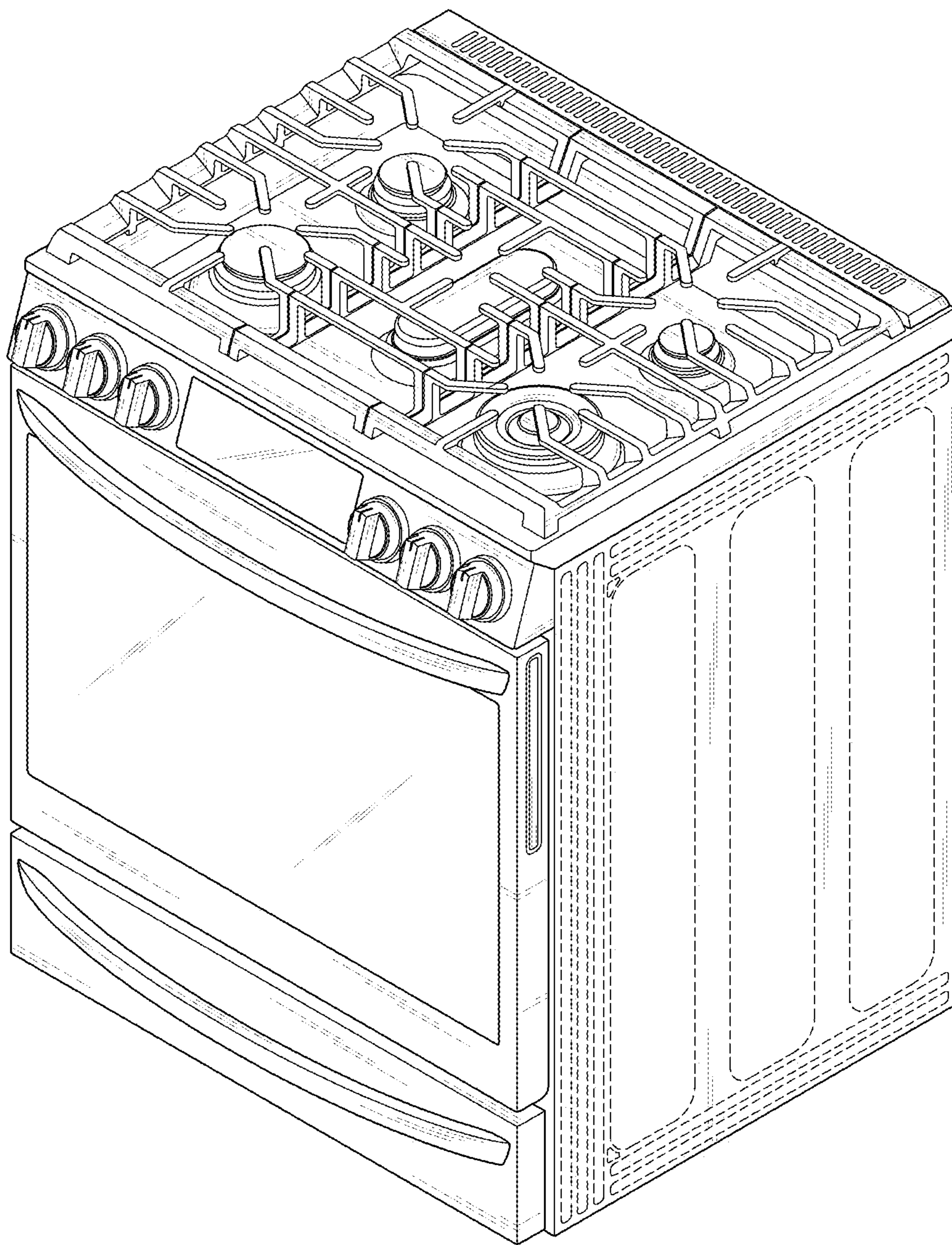
D862,168 S \* 10/2019 Kim ..... D7/406  
D862,982 S \* 10/2019 Kim ..... D7/406  
D874,220 S \* 2/2020 Kim ..... D7/406  
D874,221 S \* 2/2020 Kim ..... D7/406  
D922,122 S \* 6/2021 Ryu ..... D7/340  
2019/0003717 A1\* 1/2019 Park ..... F24C 7/06

OTHER PUBLICATIONS

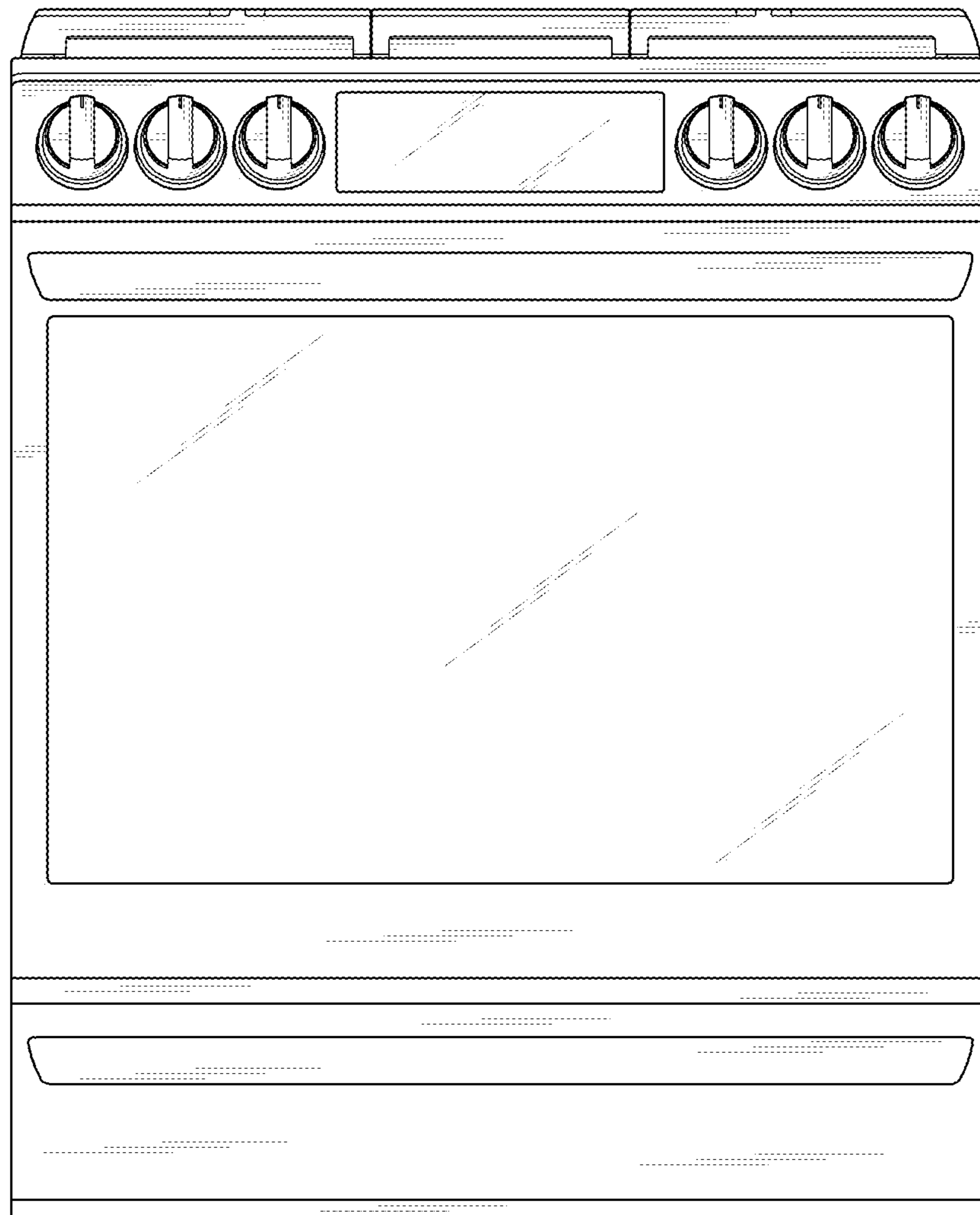
Frigidaire Series Gas Range, posted at Amazon.com on Sep. 23, 2019, [site visited Jan. 24, 2022]. Available from internet, URL: <<https://www.amazon.com/Frigidaire-FGGH3047VF-Convection-Cleaning-Stainless/dp/B07Y8QV6TQ/>> (Year: 2019).\*

\* cited by examiner

*FIG. 1*



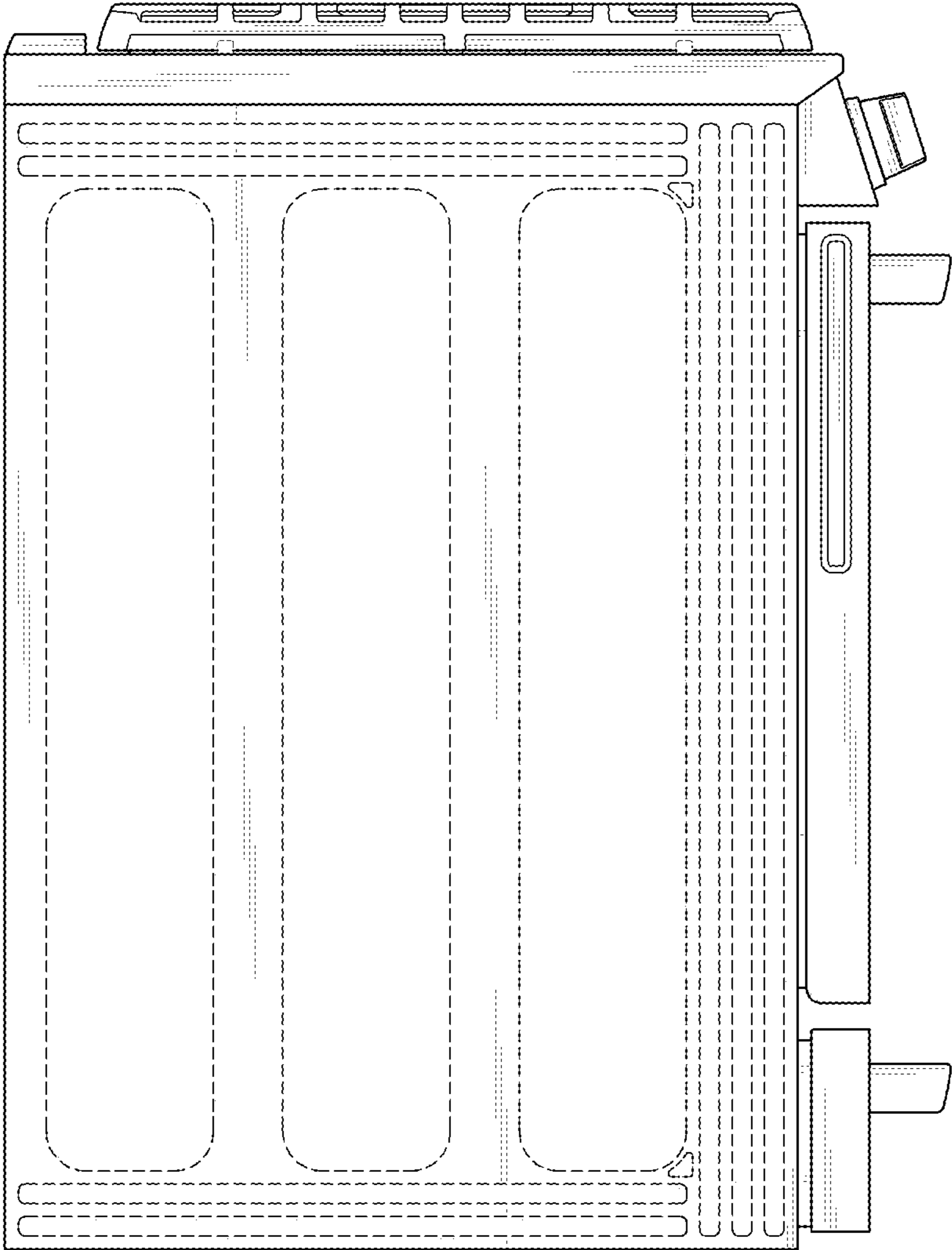
*FIG. 2*



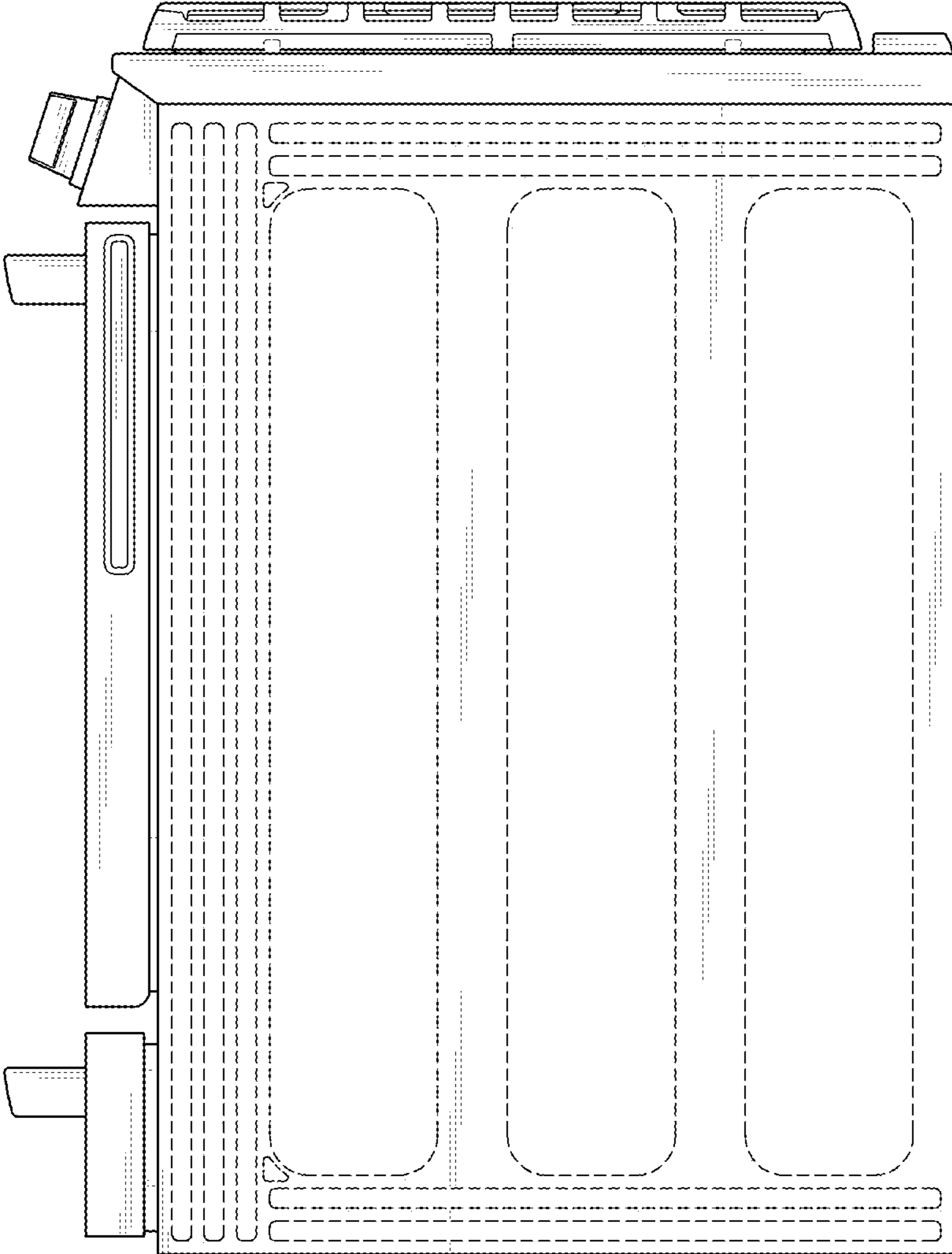
*FIG. 3*



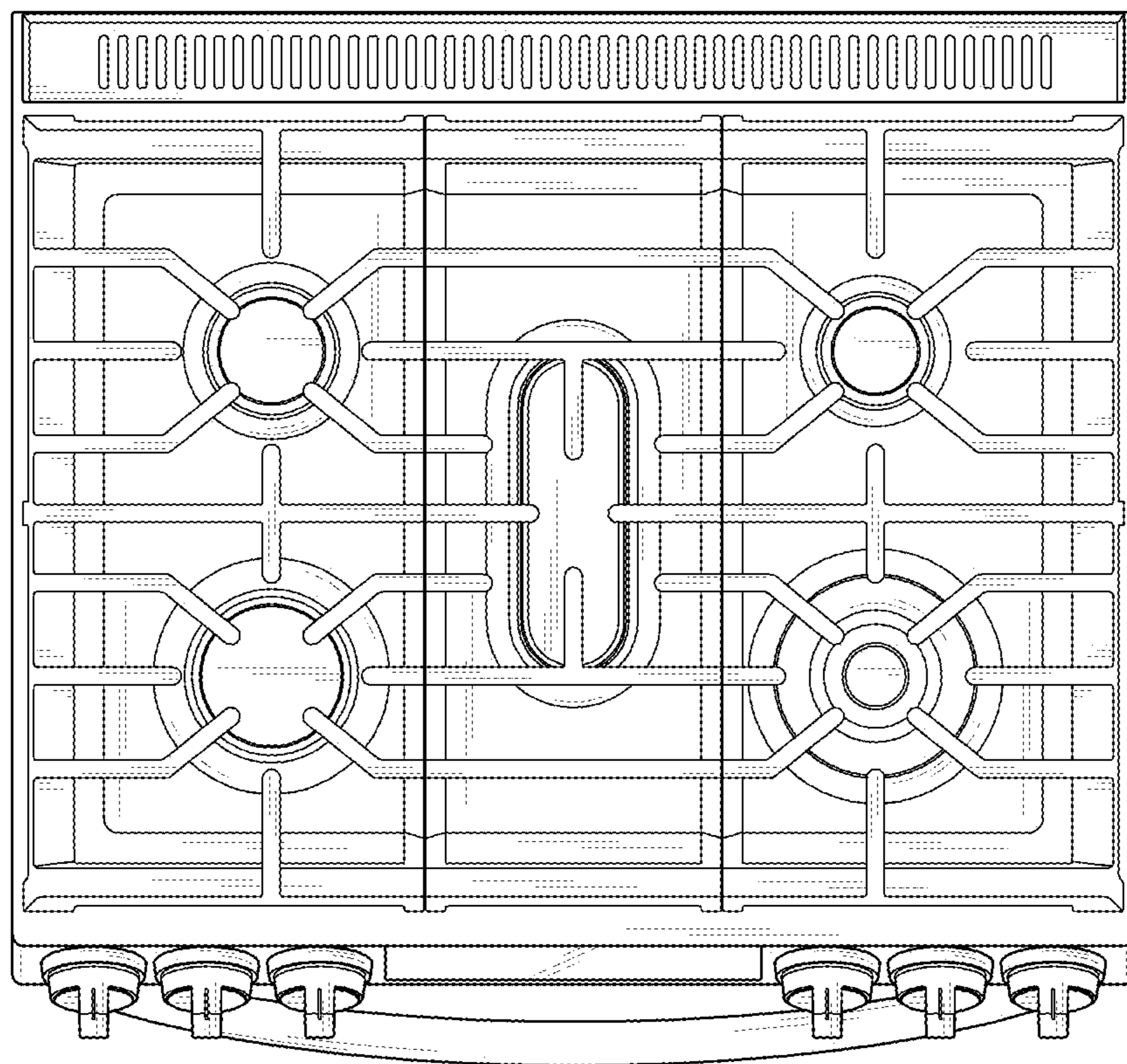
FIG. 4



*FIG. 5*



*FIG. 6*





*FIG. 7*

